



US00D936835S

(12) **United States Design Patent** (10) **Patent No.:** **US D936,835 S**  
**Yamaoka** (45) **Date of Patent:** **\*\* Nov. 23, 2021**

- (54) **EYE TESTING APPARATUS**
- (71) Applicant: **Topcon Corporation**, Tokyo (JP)
- (72) Inventor: **Masashi Yamaoka**, Tokyo (JP)
- (73) Assignee: **Topcon Corporation**, Tokyo (JP)
- (\*\*) Term: **15 Years**
- (21) Appl. No.: **29/697,666**
- (22) Filed: **Jul. 10, 2019**
- (51) **LOC (13) Cl.** ..... **24-02**
- (52) **U.S. Cl.**  
USPC ..... **D24/172**
- (58) **Field of Classification Search**  
USPC ..... D24/172, 231, 232, 140, 184, 137;  
D16/200; D10/46  
CPC ..... A61B 3/135; A61B 3/14; A61B 3/1025;  
A61B 3/0058  
See application file for complete search history.

- D919,096 S \* 5/2021 Hong ..... D24/172
- D924,431 S \* 7/2021 Garrido ..... D24/232
- 11,064,883 B2 \* 7/2021 Bartelen ..... A61B 3/135
- 2019/0000316 A1 \* 1/2019 Hirose ..... A61B 3/1025
- 2019/0380571 A1 \* 12/2019 Kitamura ..... A61B 3/0058

\* cited by examiner

*Primary Examiner* — Rhea Shields

(74) *Attorney, Agent, or Firm* — Muncy, Geissler, Olds & Lowe, P.C.

(57) **CLAIM**

The ornamental design for an eye testing apparatus, as shown and described.

**DESCRIPTION**

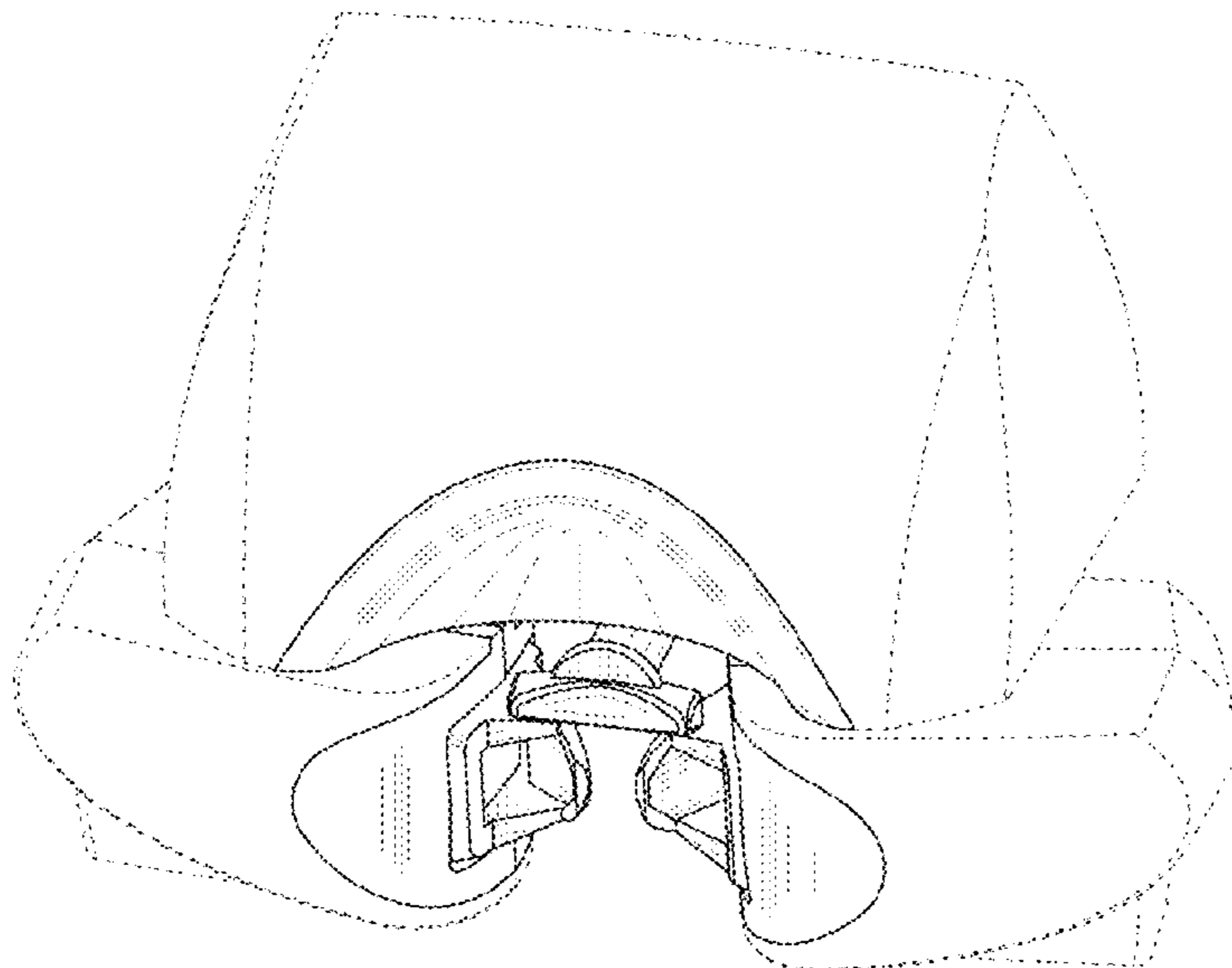
FIG. 1 is a front, top, and right perspective view of the eye testing apparatus showing my new design;  
 FIG. 2 is a back, bottom, and left perspective view thereof;  
 FIG. 3 is a front elevational view thereof;  
 FIG. 4 is a back elevational view thereof;  
 FIG. 5 is a top view thereof;  
 FIG. 6 is a bottom view thereof;  
 FIG. 7 is a left side elevational view thereof, the right side elevational view being a mirror image thereof;  
 FIG. 8 is a cross-sectional view cut along the 8-8 line in FIG. 3;  
 FIG. 9 is a cross-sectional view cut along the 9-9 line in FIG. 3; and,  
 FIG. 10 is another front, top, and right perspective view thereof.  
 In the drawings the dash-dash broken lines are for the purpose of illustrating portions of the eye testing apparatus that forms no part of the claimed design. In FIGS. 2, 6 and 8 the dash-dot broken lines are for the purpose of illustrating the boundaries of the claim and form no part of the claimed design.

(56) **References Cited**

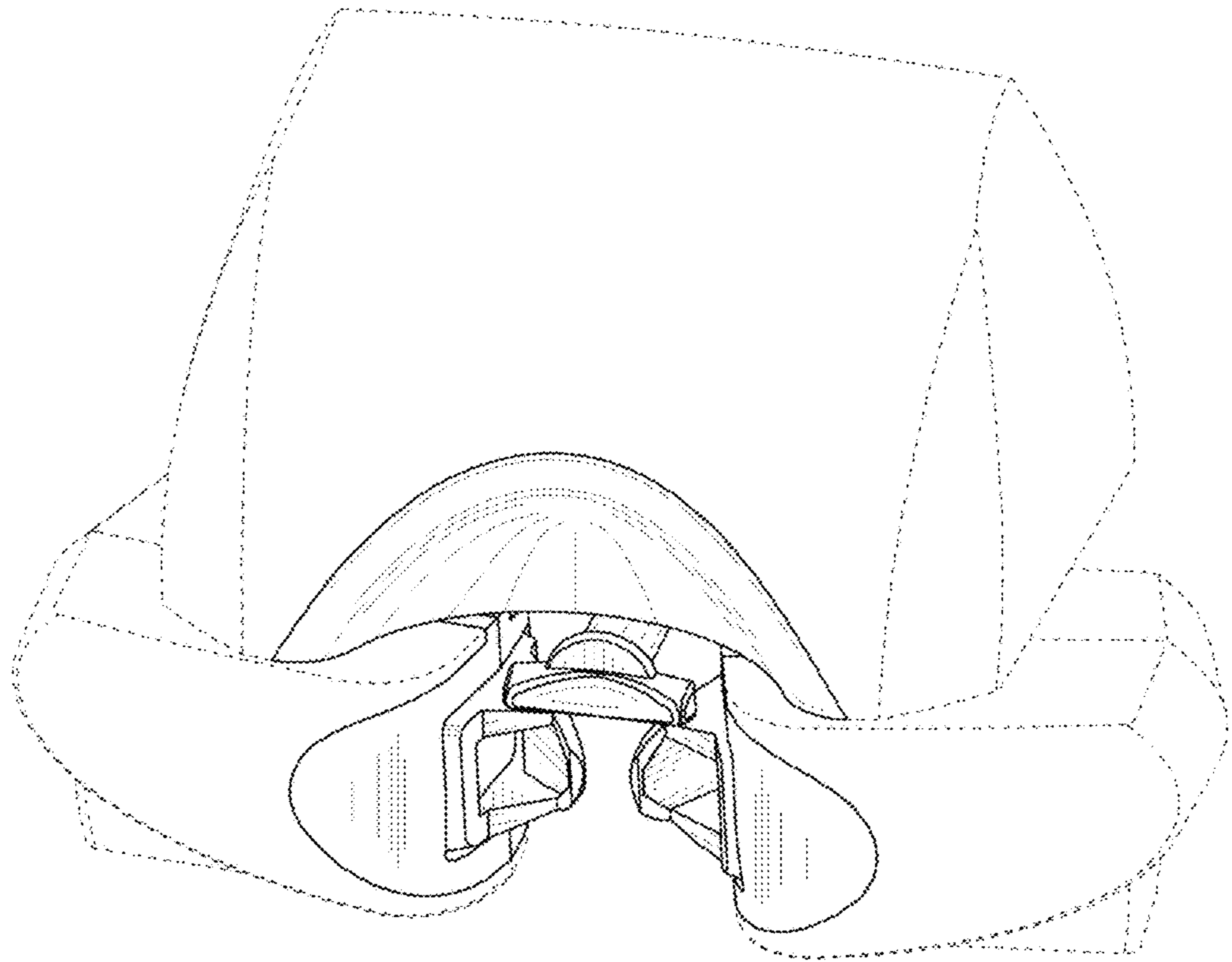
U.S. PATENT DOCUMENTS

- D550,845 S \* 9/2007 Yamaoka ..... D24/172
- D552,736 S \* 10/2007 Yamaoka ..... D24/172
- D555,016 S \* 11/2007 Yamaoka ..... D10/46
- D582,556 S \* 12/2008 Yamaoka ..... D16/200
- D738,509 S \* 9/2015 van Elzakker ..... D24/172
- D739,534 S \* 9/2015 Boudier ..... D24/172
- D748,268 S \* 1/2016 Billard ..... D24/172
- D775,356 S \* 12/2016 Zhou ..... D24/172
- D800,314 S \* 10/2017 Kimura ..... D24/172
- D810,304 S \* 2/2018 Mattiuzzo ..... D24/184
- D812,759 S \* 3/2018 Sekine ..... D24/172
- D816,218 S \* 4/2018 Kambe ..... D24/137
- D827,833 S \* 9/2018 Brottier ..... D24/172
- D857,893 S \* 8/2019 Frey ..... D24/140
- D858,765 S \* 9/2019 Frey ..... D24/140
- D863,557 S \* 10/2019 Cheng ..... D24/172
- D882,094 S \* 4/2020 Katz ..... A61B 3/14  
D24/172

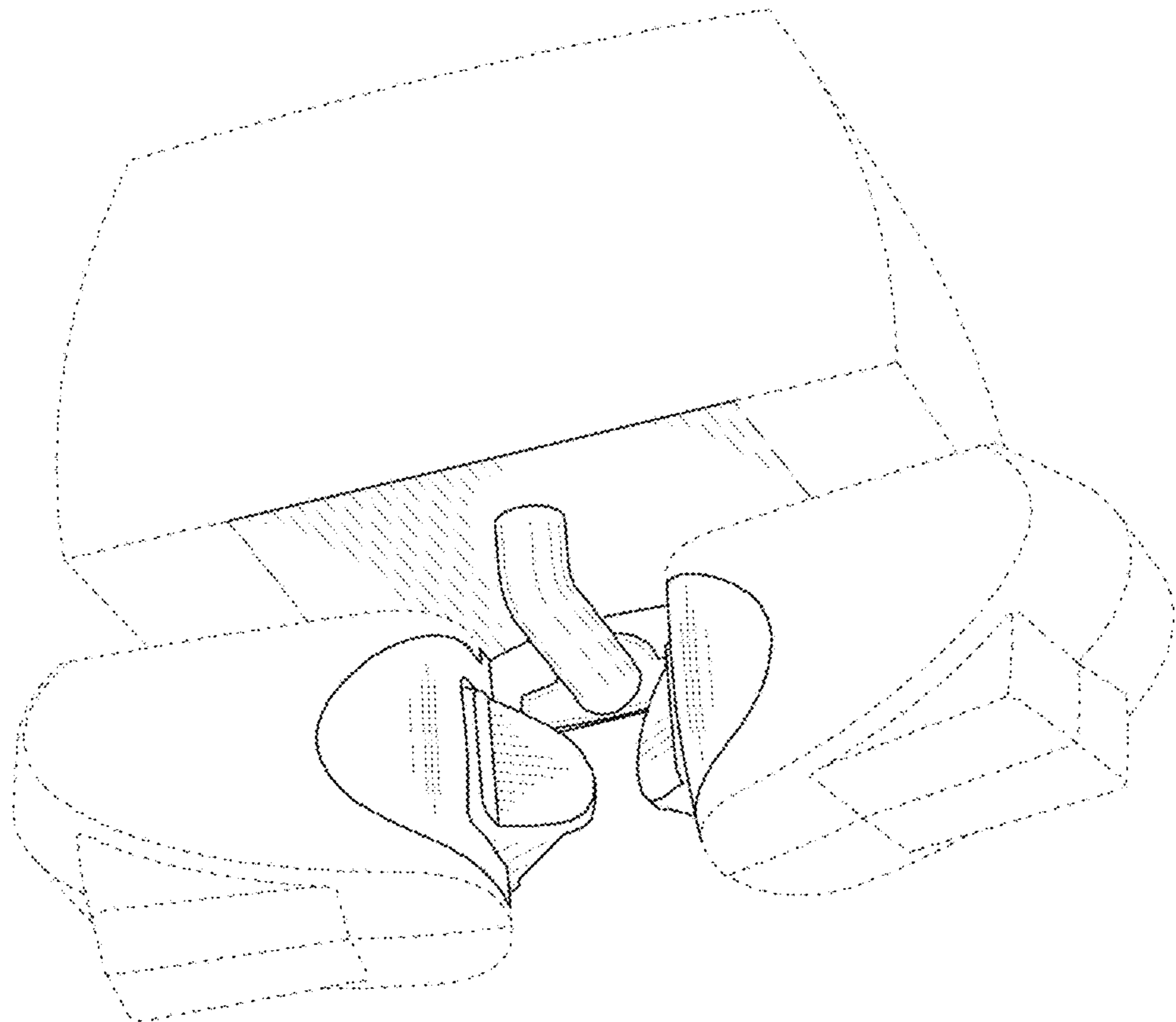
**1 Claim, 5 Drawing Sheets**



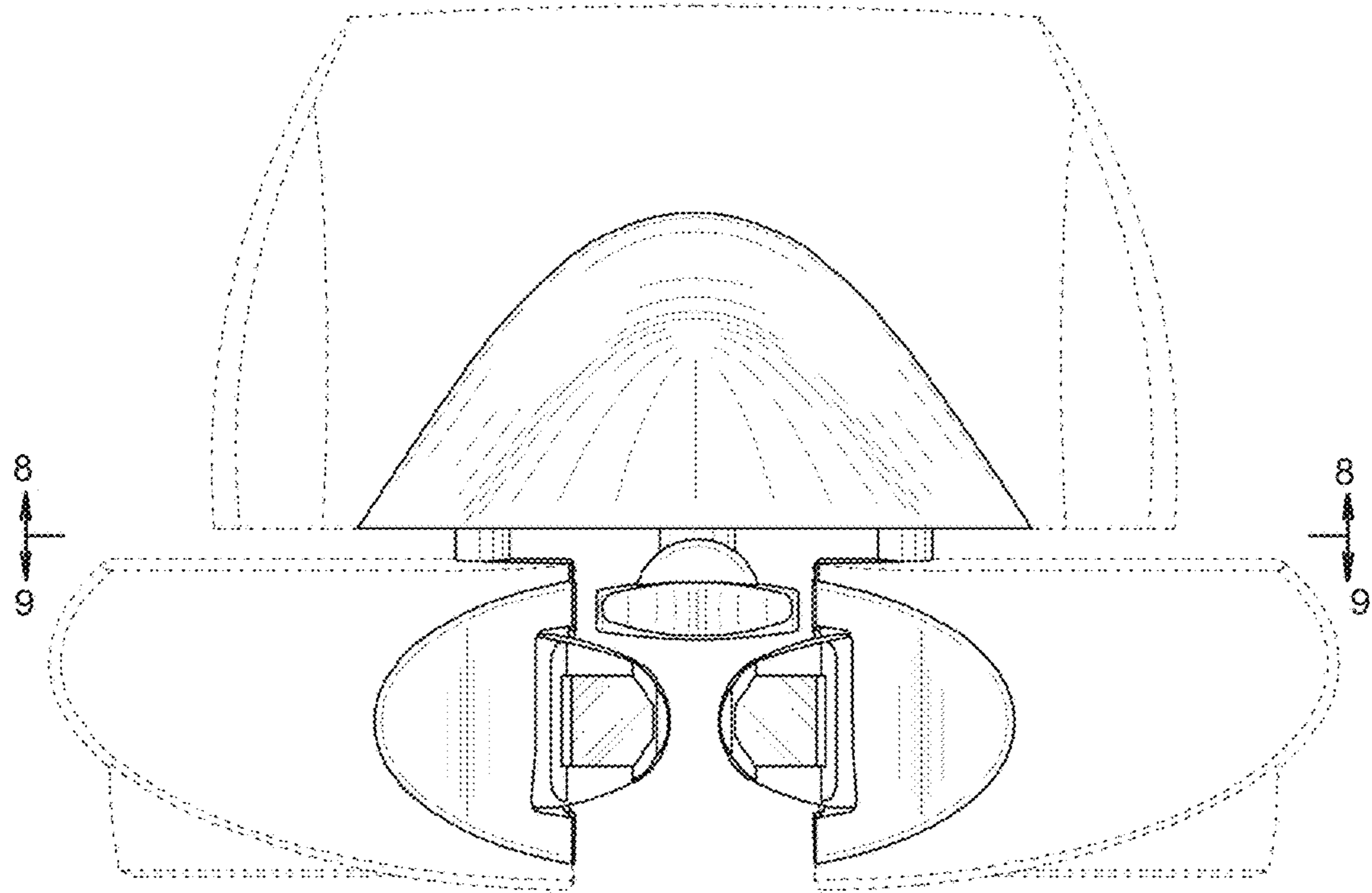
**Fig. 1**



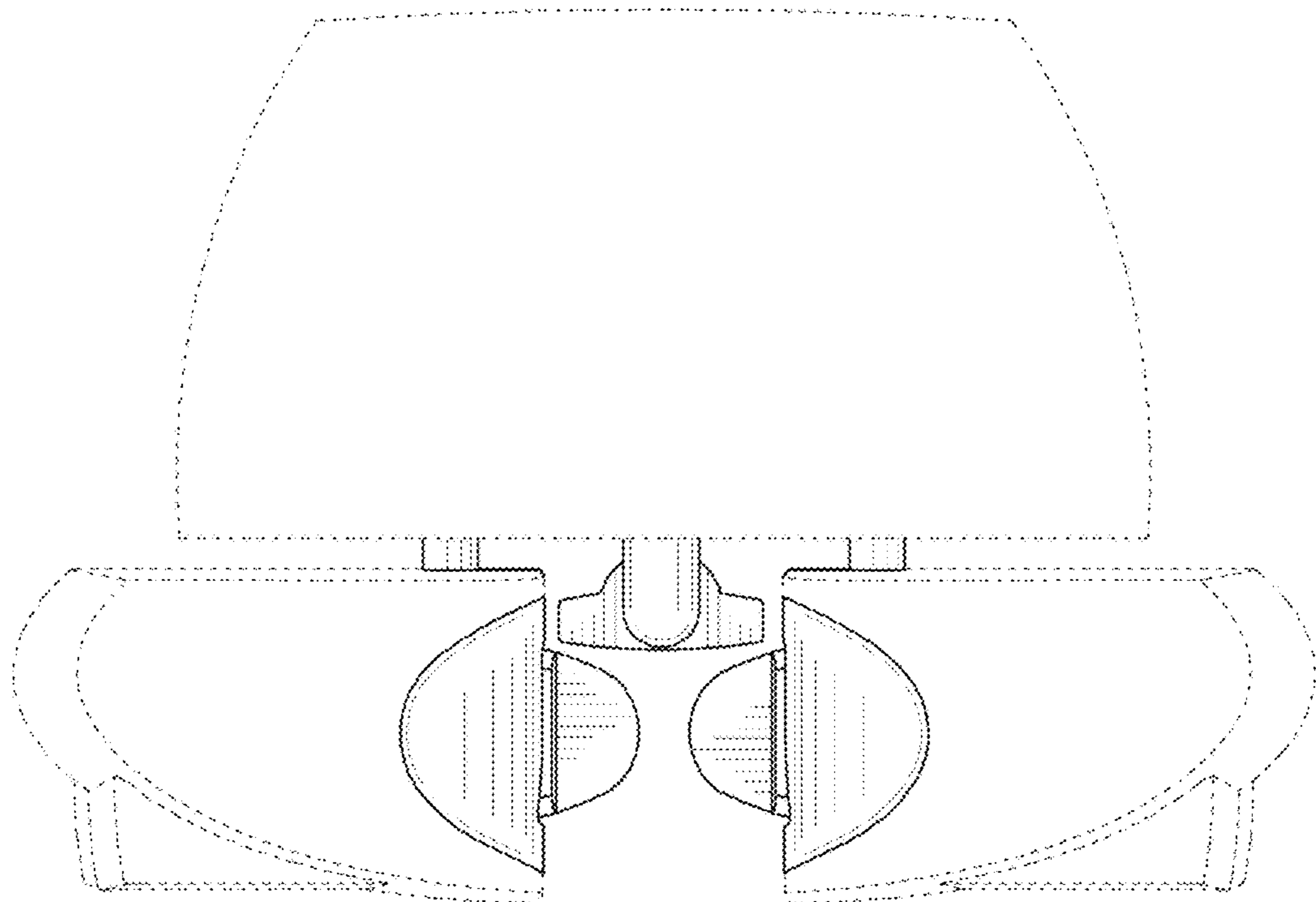
**Fig. 2**



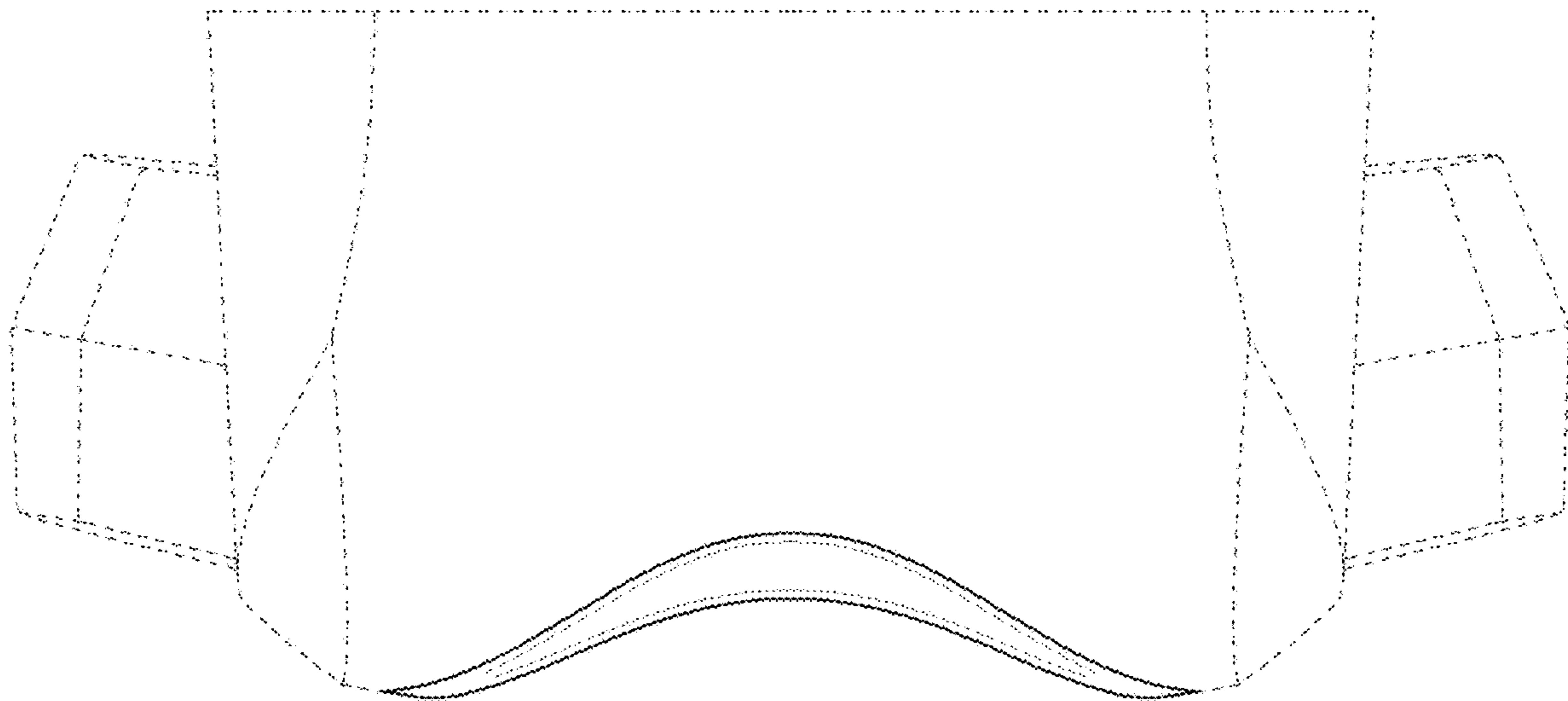
**Fig. 3**



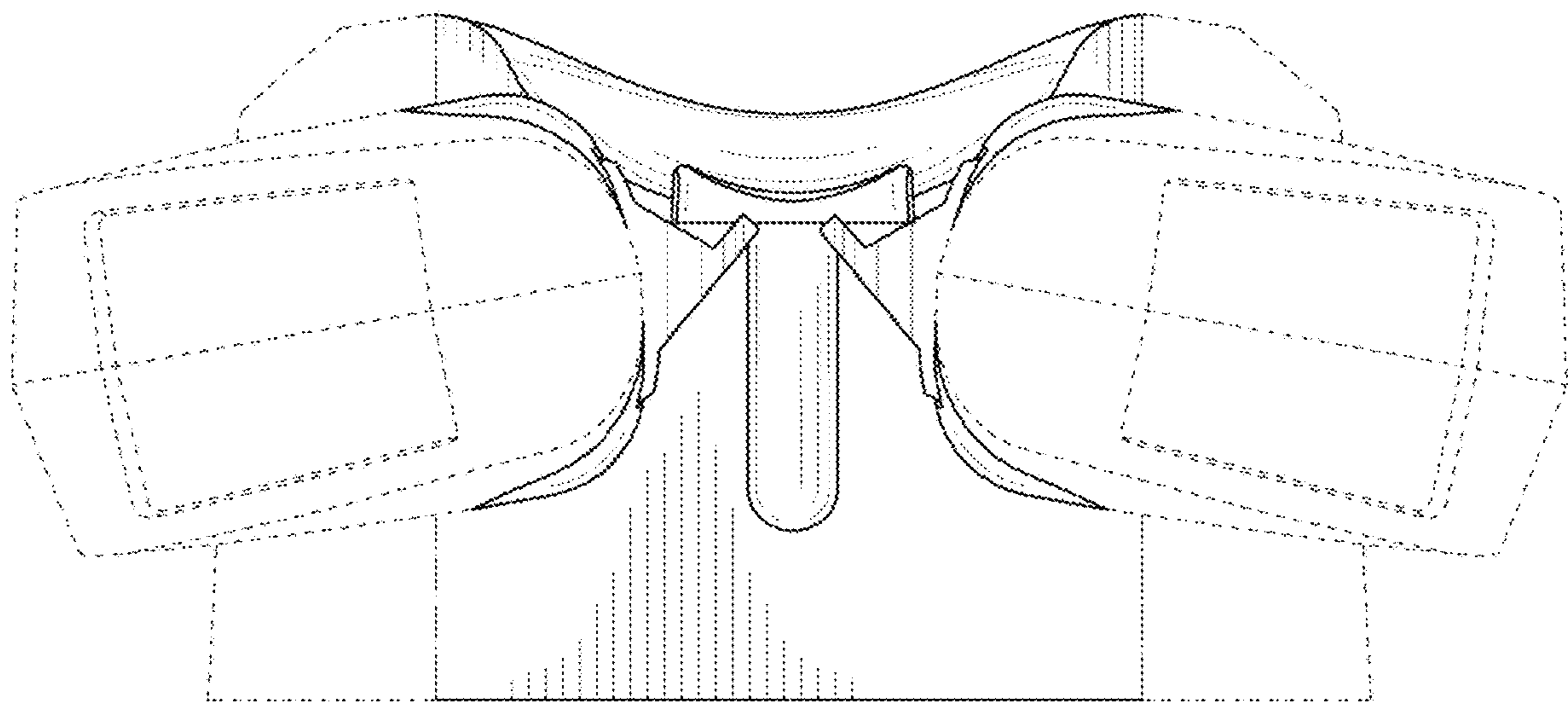
**Fig. 4**



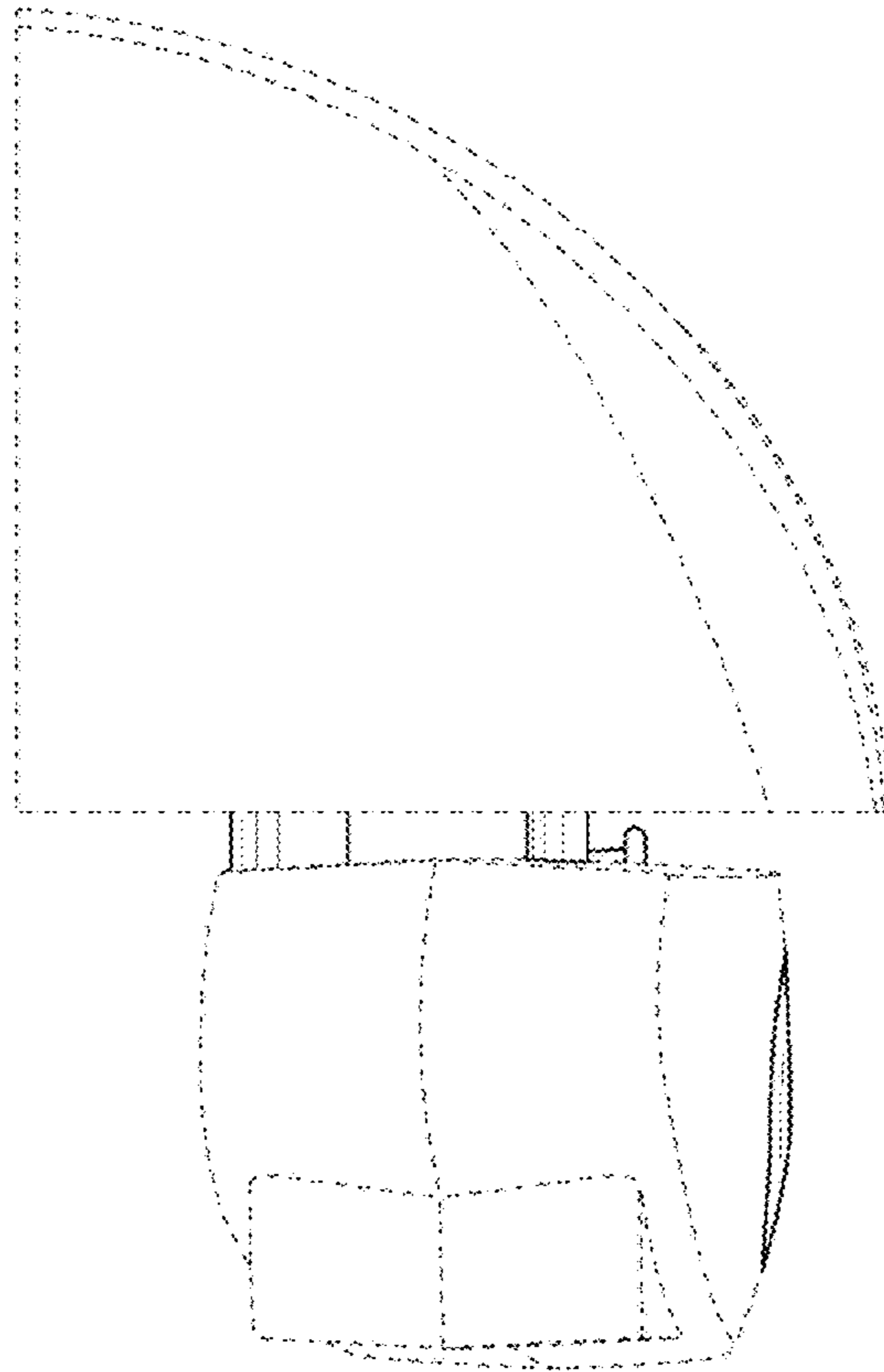
**Fig. 5**



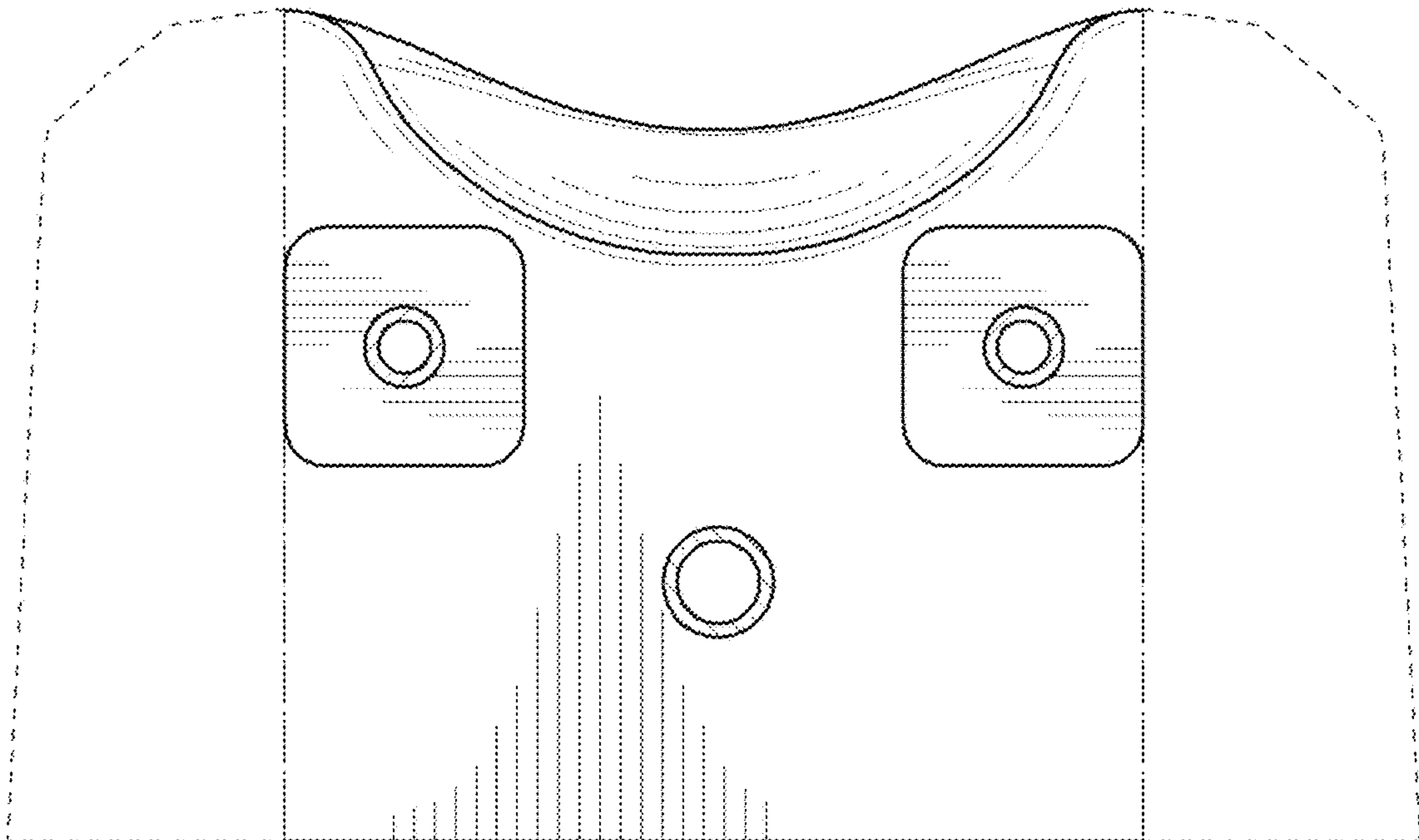
**Fig. 6**



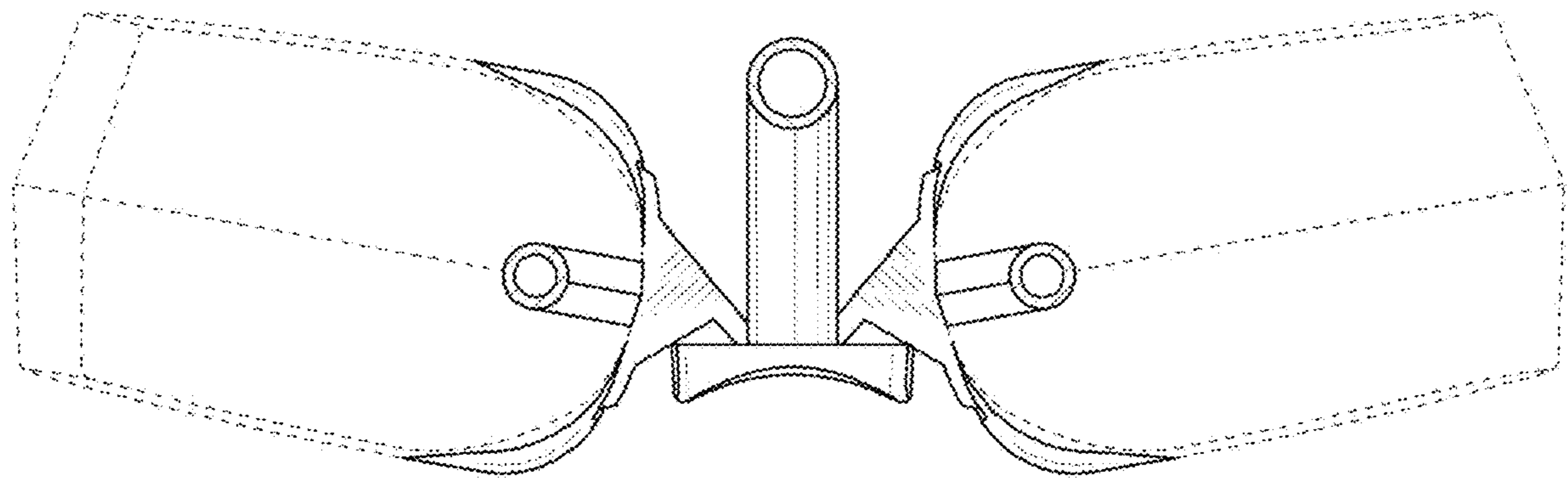
**Fig. 7**



**Fig. 8**



**Fig. 9**



**Fig. 10**

