



US00D936834S

(12) **United States Design Patent**
Yamaoka

(10) **Patent No.:** **US D936,834 S**

(45) **Date of Patent:** **** Nov. 23, 2021**

- (54) **EYE TESTING APPARATUS**
- (71) Applicant: **Topcon Corporation**, Tokyo (JP)
- (72) Inventor: **Masashi Yamaoka**, Tokyo (JP)
- (73) Assignee: **Topcon Corporation**, Tokyo (JP)
- (**) Term: **15 Years**
- (21) Appl. No.: **29/697,662**
- (22) Filed: **Jul. 10, 2019**
- (51) **LOC (13) Cl.** **24-02**
- (52) **U.S. Cl.**
USPC **D24/172**
- (58) **Field of Classification Search**
USPC D24/172, 231, 232, 140, 184, 137;
D16/200; D10/46
CPC A61B 3/135; A61B 3/14; A61B 3/1025;
A61B 3/0058
See application file for complete search history.

- D857,893 S * 8/2019 Frey D24/140
- D858,765 S * 9/2019 Frey D24/140
- D863,557 S * 10/2019 Cheng D24/172
- D882,094 S * 4/2020 Katz A61B 3/14
D24/172
- D919,096 S * 5/2021 Hong D24/172
- D924,431 S * 7/2021 Garrido D24/232
- 11,064,883 B2 * 7/2021 Bartelen A61B 3/135
- 2019/0000316 A1 * 1/2019 Hirose A61B 3/1025
- 2019/0380571 A1 * 12/2019 Kitamura A61B 3/0058

* cited by examiner

Primary Examiner — Rhea Shields

(74) *Attorney, Agent, or Firm* — Muncy, Geissler, Olds & Lowe, P.C.

(57) **CLAIM**

The ornamental design for an eye testing apparatus, as shown and described.

DESCRIPTION

FIG. 1 is a front, top, and right perspective view of the eye testing apparatus showing my new design;
 FIG. 2 is a back, bottom, and left perspective view thereof;
 FIG. 3 is a front elevational view thereof;
 FIG. 4 is a back elevational view thereof;
 FIG. 5 is a top view thereof;
 FIG. 6 is a bottom view thereof;
 FIG. 7 is a left side elevational view thereof, the right side elevational view being a mirror image thereof;
 FIG. 8 is a cross-sectional view cut along the 8-8 line in FIG. 3;
 FIG. 9 is a cross-sectional view cut along the 9-9 line in FIG. 3; and,
 FIG. 10 is another front, top, and right perspective view thereof.

1 Claim, 5 Drawing Sheets

(56) **References Cited**

U.S. PATENT DOCUMENTS

- D550,845 S * 9/2007 Yamaoka D24/172
- D552,736 S * 10/2007 Yamaoka D24/172
- D555,016 S * 11/2007 Yamaoka D10/46
- D582,556 S * 12/2008 Yamaoka D16/200
- D738,509 S * 9/2015 van Elzakker D24/172
- D739,534 S * 9/2015 Boudier D24/172
- D748,268 S * 1/2016 Billard D24/172
- D775,356 S * 12/2016 Zhou D24/172
- D800,314 S * 10/2017 Kimura D24/172
- D810,304 S * 2/2018 Mattiuzzo D24/184
- D812,759 S * 3/2018 Sekine D24/172
- D816,218 S * 4/2018 Kambe D24/137
- D827,833 S * 9/2018 Brottier D24/172

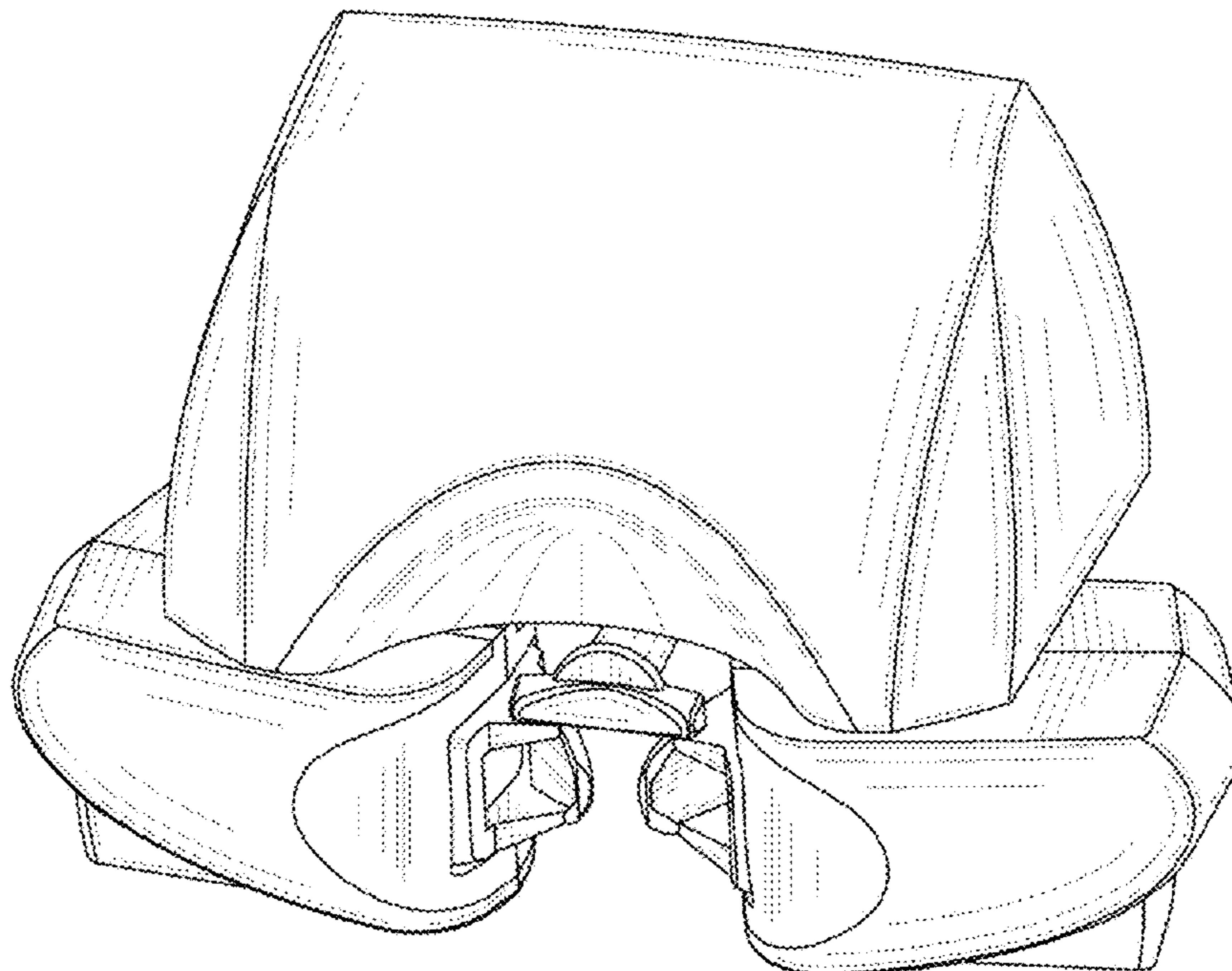


Fig. 1

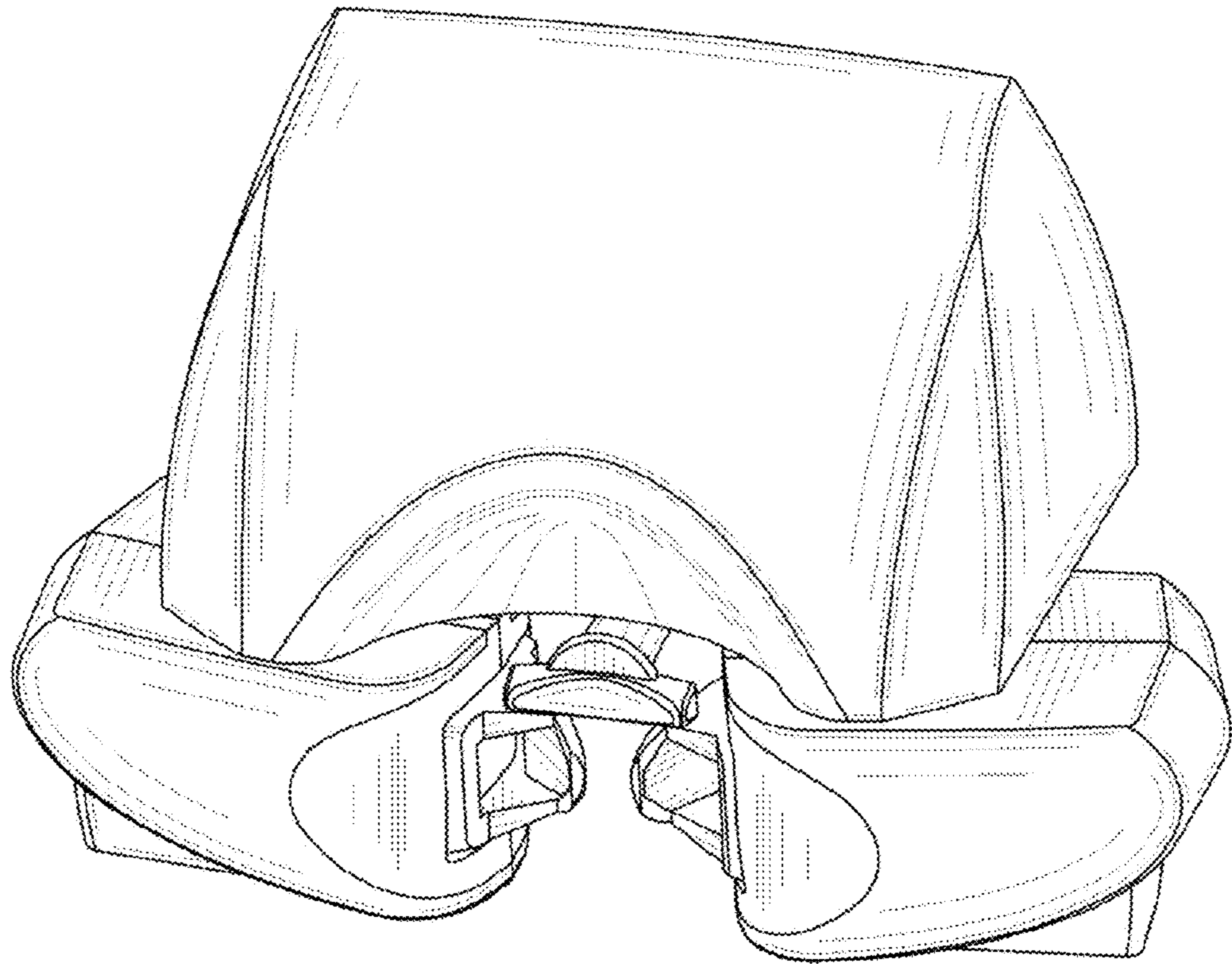


Fig. 2

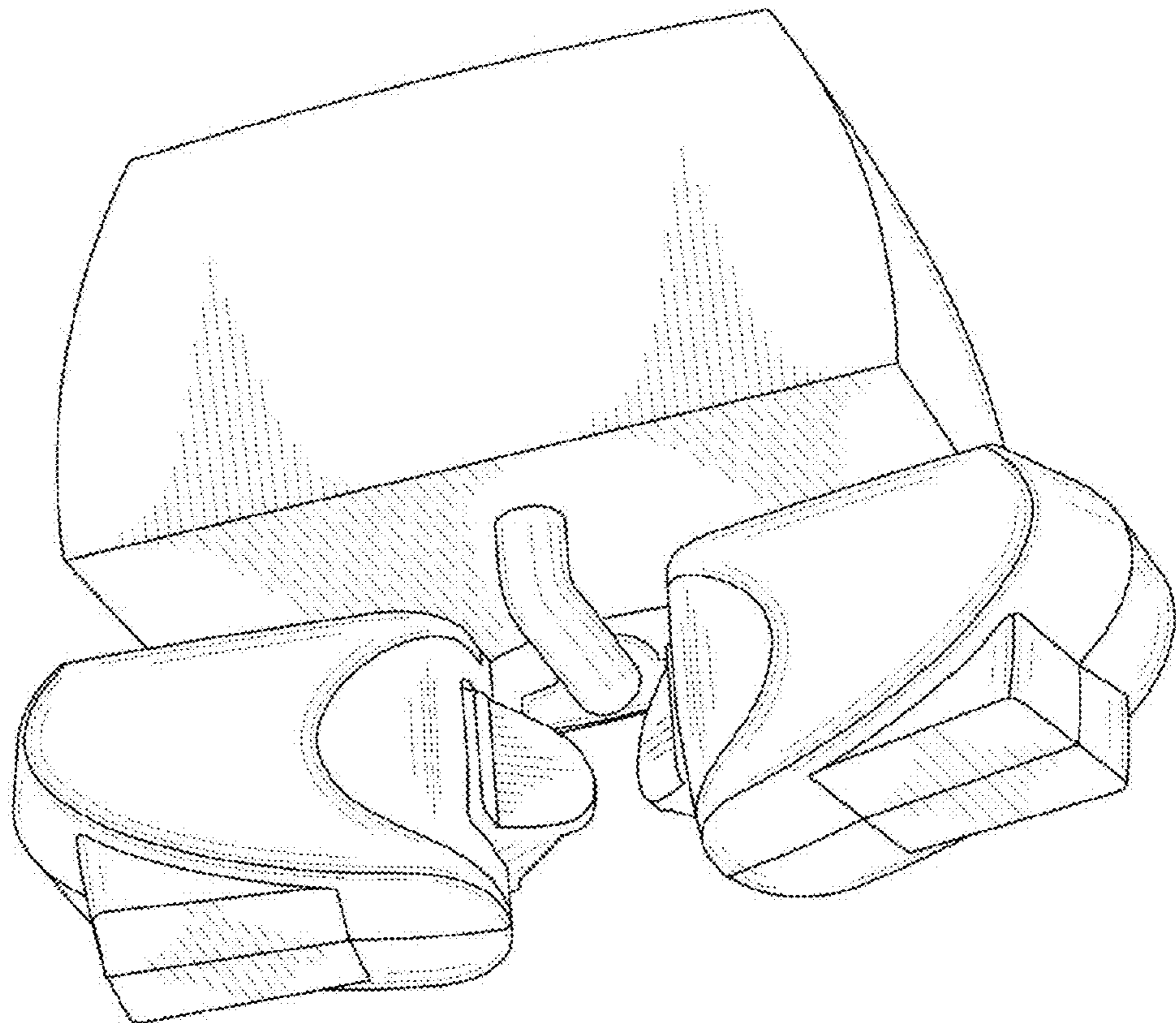


Fig. 3

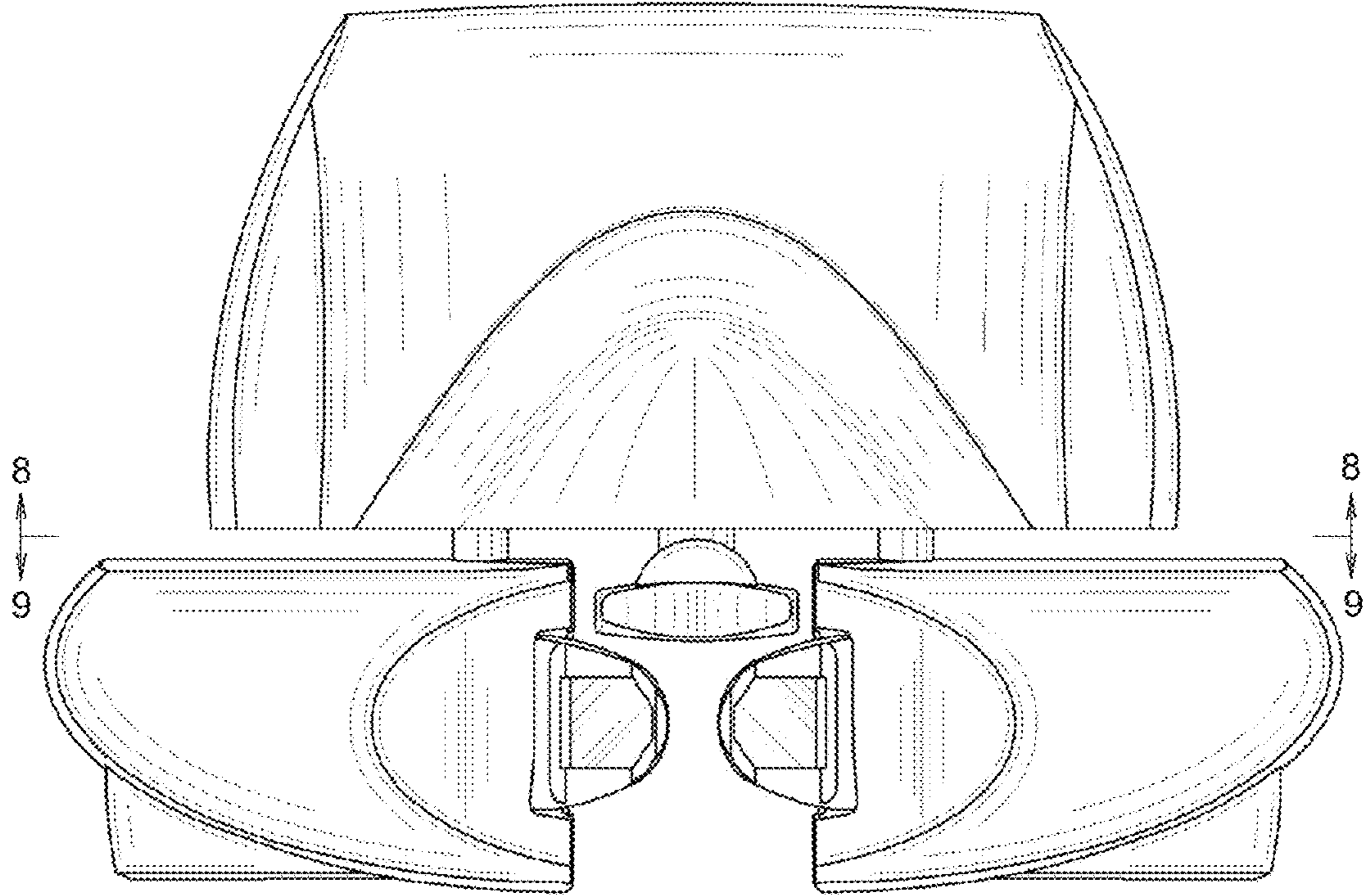


Fig. 4

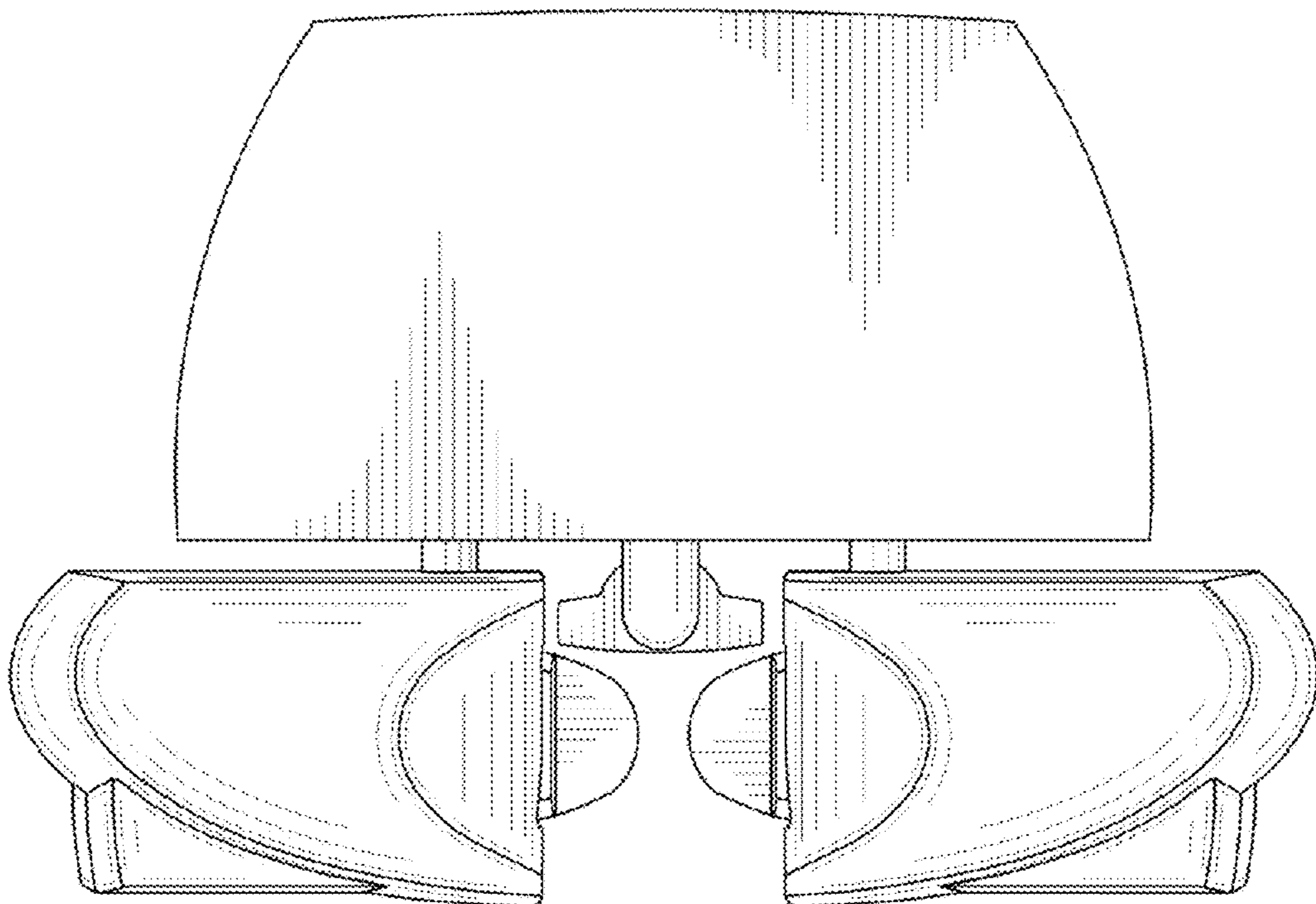


Fig. 5

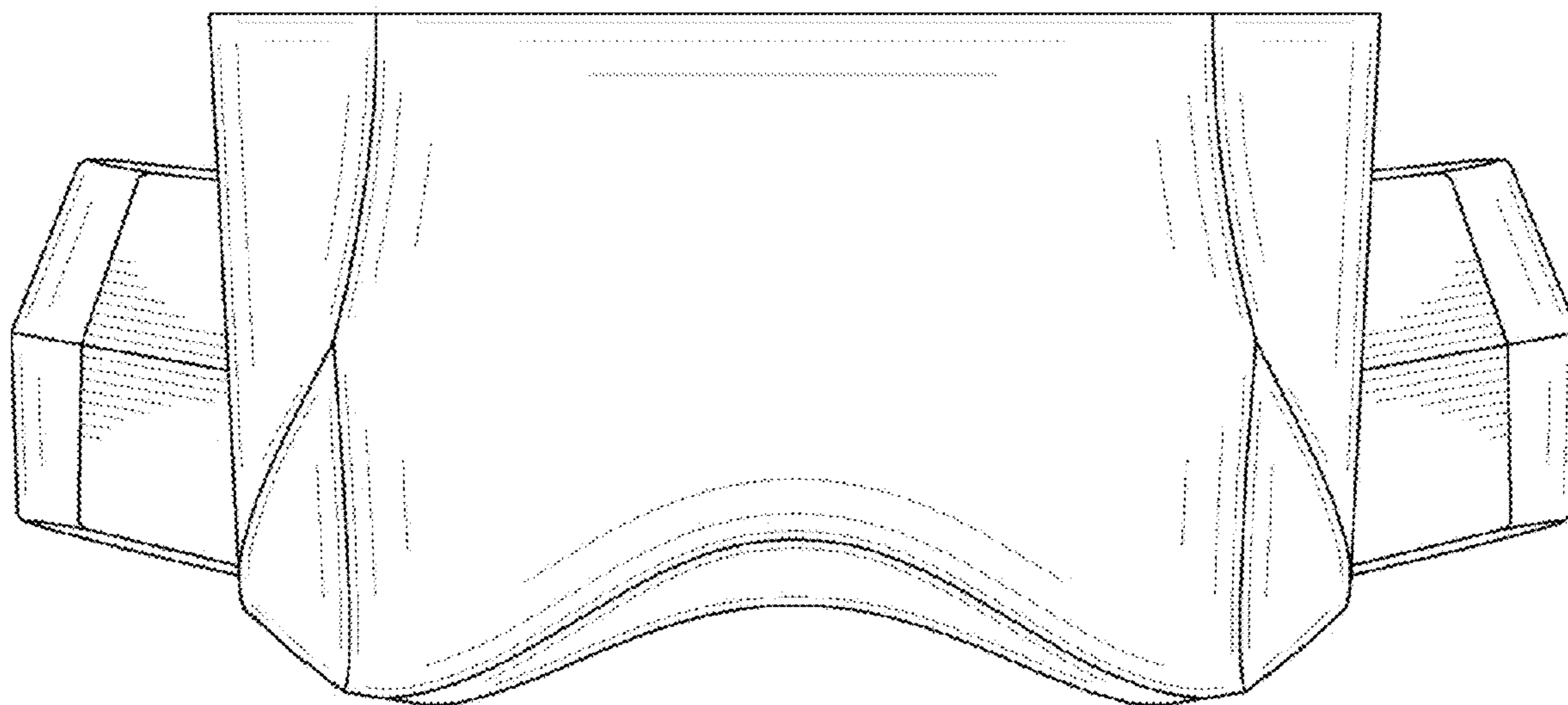


Fig. 6

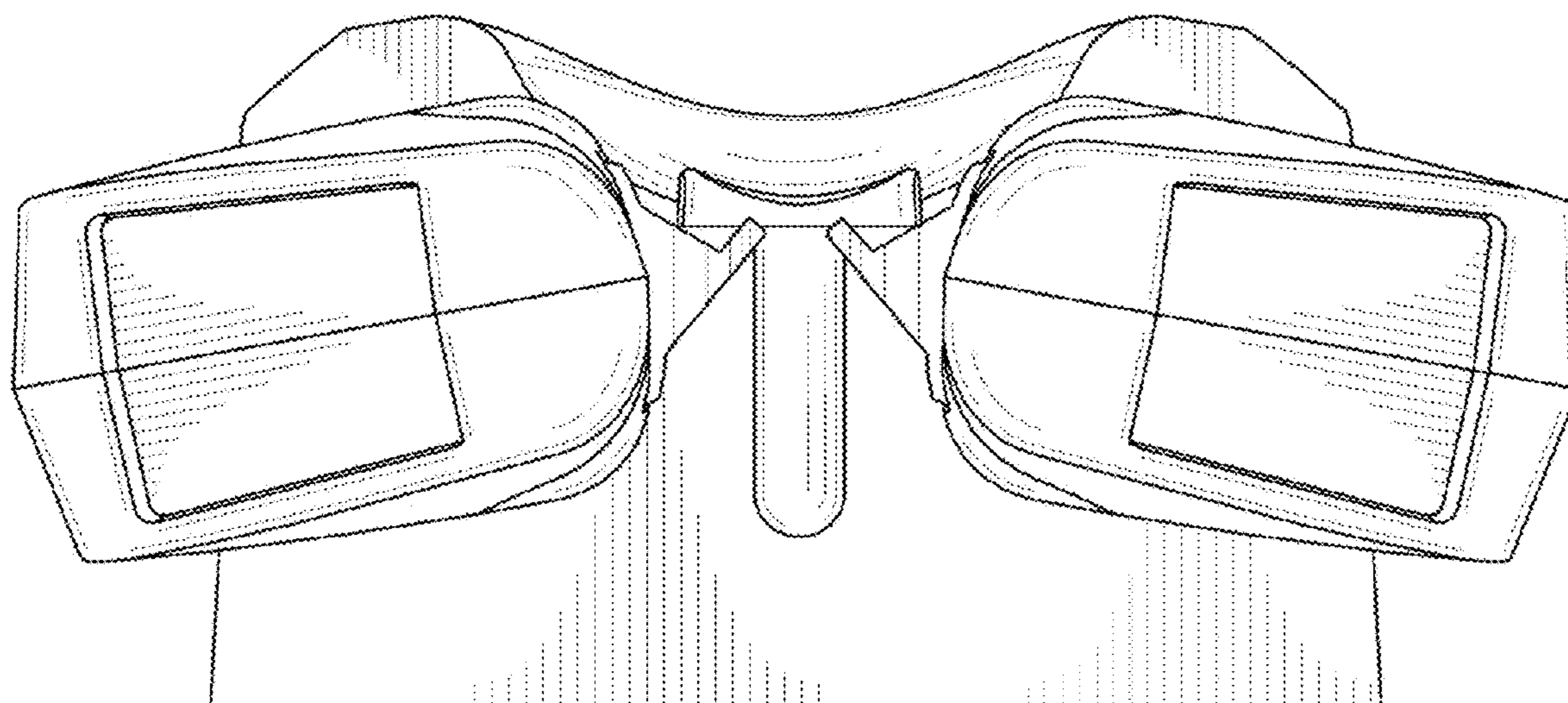


Fig. 7

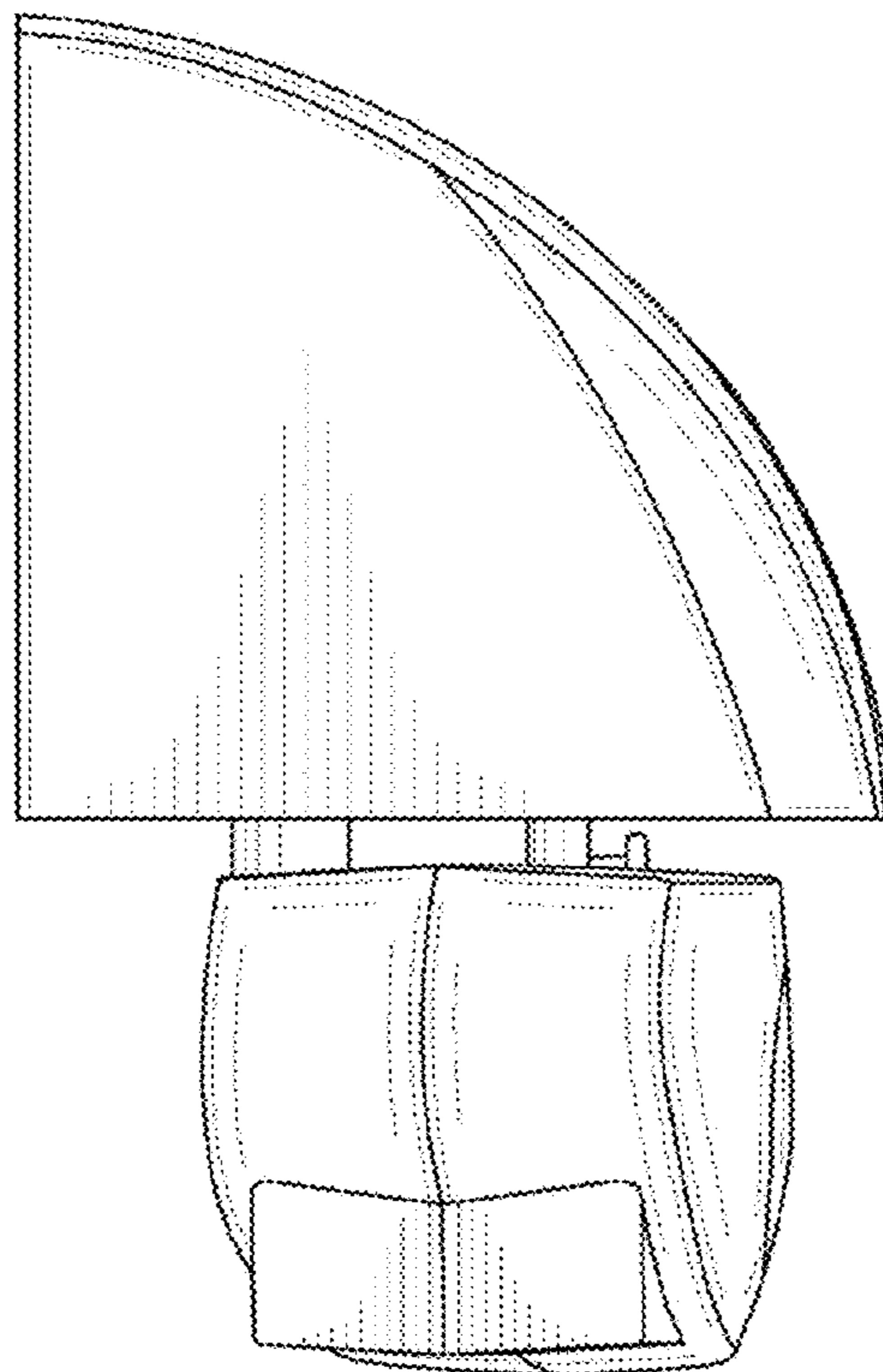


Fig. 8

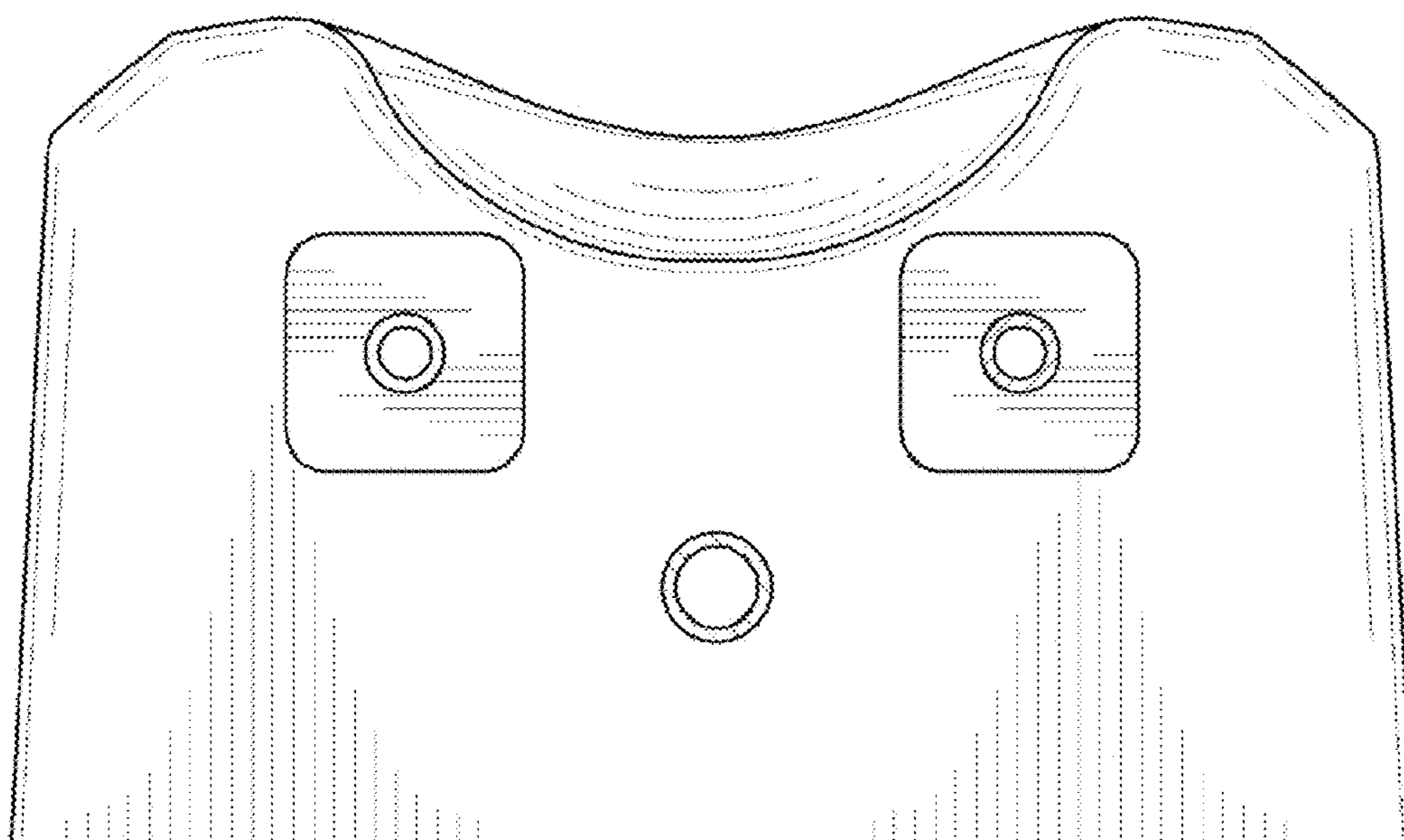


Fig. 9

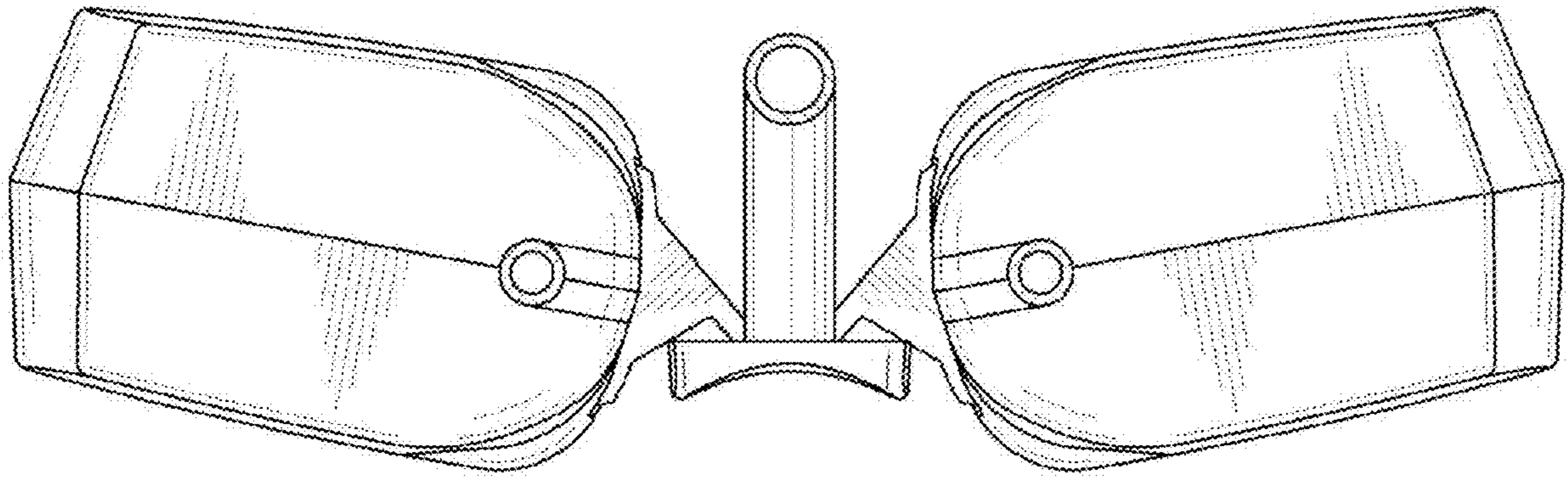


Fig. 10

