



US00D936832S

(12) **United States Design Patent** (10) **Patent No.:** **US D936,832 S**
Yue (45) **Date of Patent:** **** Nov. 23, 2021**

(54) **ACCESSORY FOR RADIOTHERAPY EQUIPMENT**
(71) Applicant: **OUR UNITED CORPORATION,**
Xi'an (CN)
(72) Inventor: **Ting Yue,** Xi'an (CN)
(73) Assignee: **OUR UNITED CORPORATION,**
Xi'an (CN)

7,761,941 B2 * 7/2010 Loser A61B 5/055
5/601
D724,217 S * 3/2015 Wodecki D24/159
D770,049 S * 10/2016 Yanagihara D24/159
D820,453 S * 6/2018 Personelli D24/159
D829,913 S * 10/2018 Kitayama D24/159
D843,583 S * 3/2019 Roth D24/159
D855,185 S * 7/2019 Chang D24/159
D861,870 S * 10/2019 Chang D24/159
D895,809 S * 9/2020 Morreale D24/183
D897,540 S * 9/2020 Roth D24/183

(**) Term: **15 Years**

* cited by examiner

(21) Appl. No.: **29/727,549**

Primary Examiner — Anhdao Doan

(22) Filed: **Mar. 11, 2020**

(74) *Attorney, Agent, or Firm* — Kolitch Romano LLP

(30) **Foreign Application Priority Data**

(57) **CLAIM**

Sep. 11, 2019 (CN) 201930501291.6

The ornamental design for an accessory for radiotherapy equipment, as shown and described.

(51) **LOC (13) Cl.** **24-01**

DESCRIPTION

(52) **U.S. Cl.**
USPC **D24/159;** D24/183

FIG. 1 is a front elevational view of an accessory for radiotherapy equipment showing an embodiment of the new design;

(58) **Field of Classification Search**
USPC D24/107, 158–160, 185–187, 183, 184
CPC .. A61B 6/03; A61B 6/035; A61B 5/05; A61B 5/055; A61B 6/04; A61B 6/0407; A61G 13/1235; A61G 2210/50; A61F 5/3723; A61F 5/3761
See application file for complete search history.

FIG. 2 is a rear elevational view thereof;

FIG. 3 is a left side elevational view thereof;

FIG. 4 is a right side elevational view thereof;

FIG. 5 is a top plan view thereof;

FIG. 6 is a bottom plan view thereof; and,

FIG. 7 is a front perspective view thereof.

(56) **References Cited**

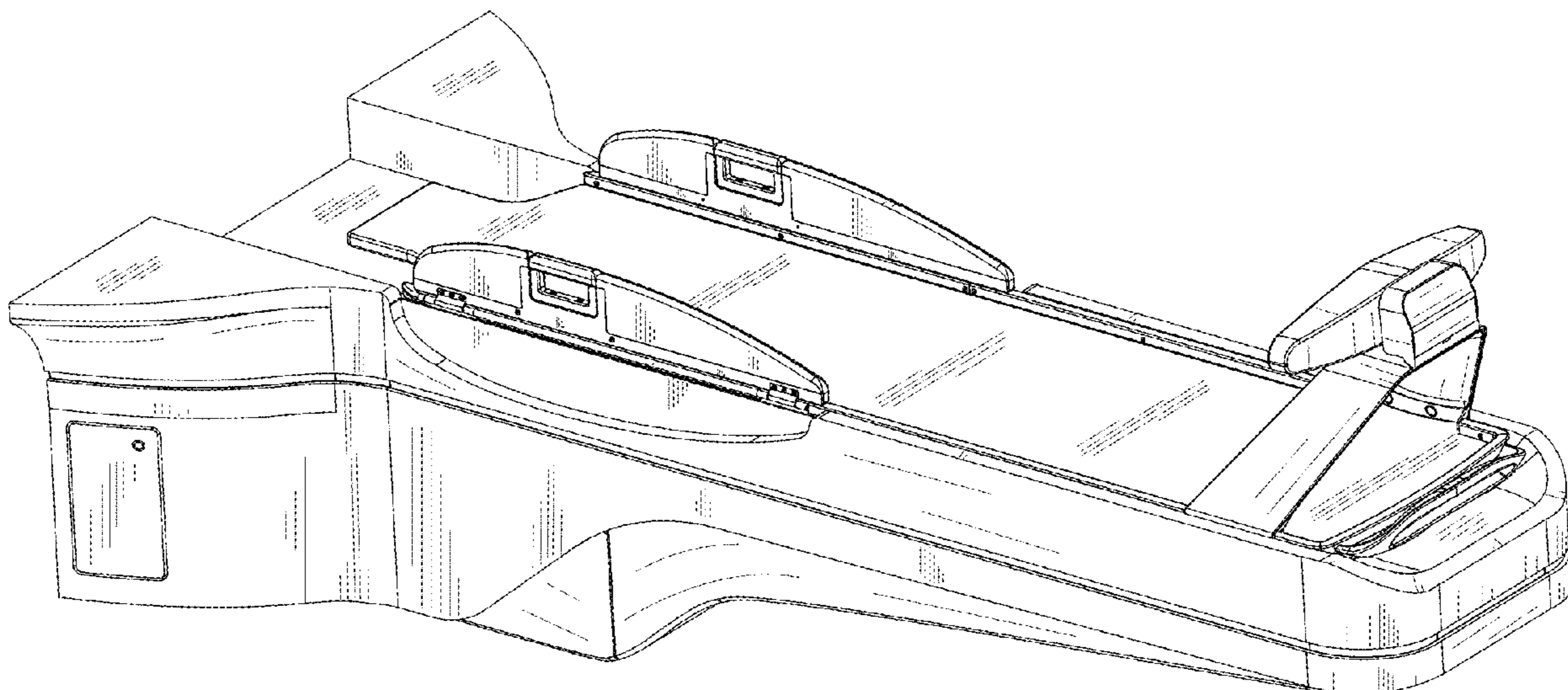
The portions of the accessory for radiotherapy equipment shown in broken lines form no part of the claimed design.

The shading lines shown in the drawings represent the approximate three-dimensional contour of the design and are not intended to indicate surface decoration.

U.S. PATENT DOCUMENTS

5,619,763 A * 4/1997 Randolph A61B 6/04
378/209
D547,870 S * 7/2007 Lenfant D24/159

1 Claim, 7 Drawing Sheets



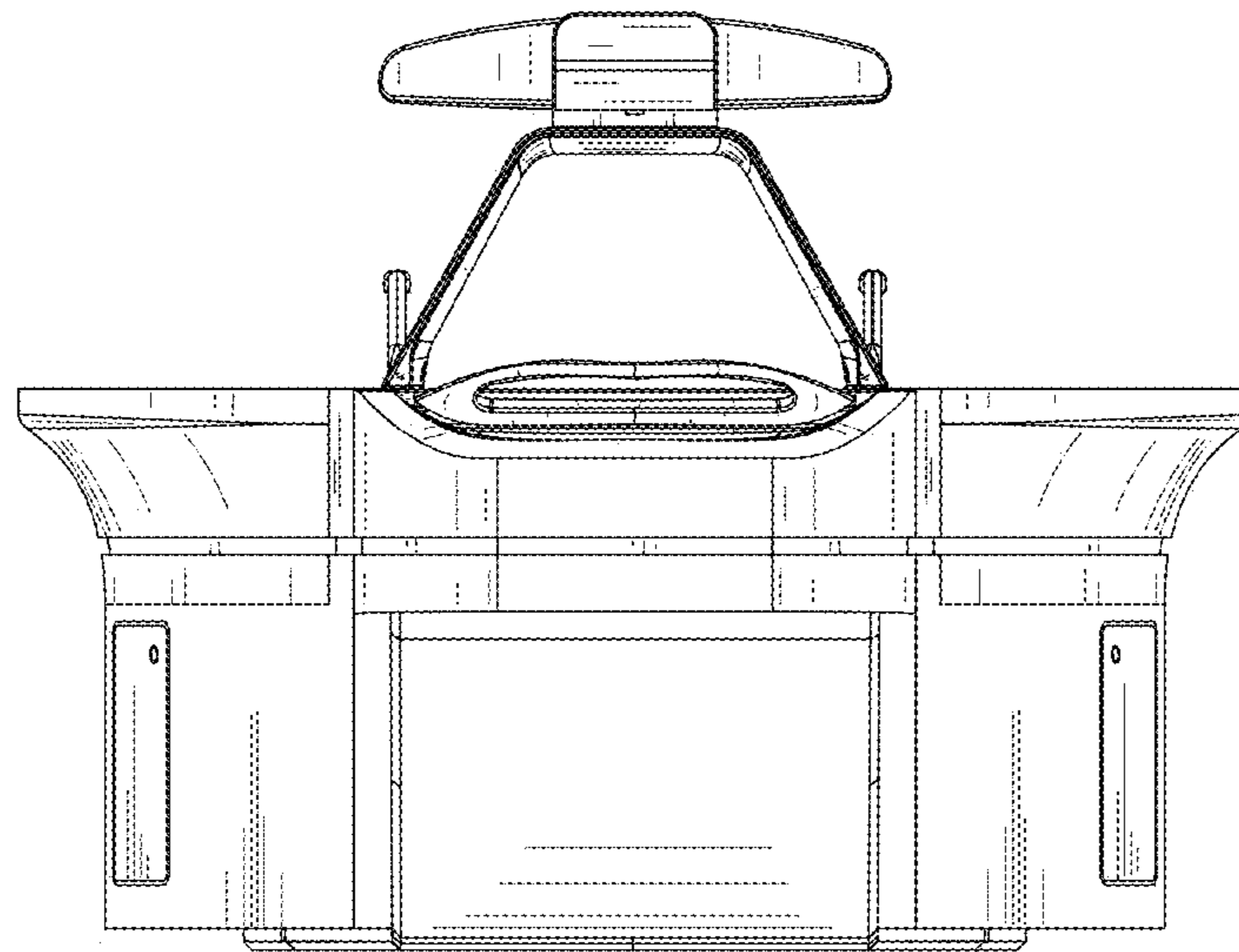


FIG. 1

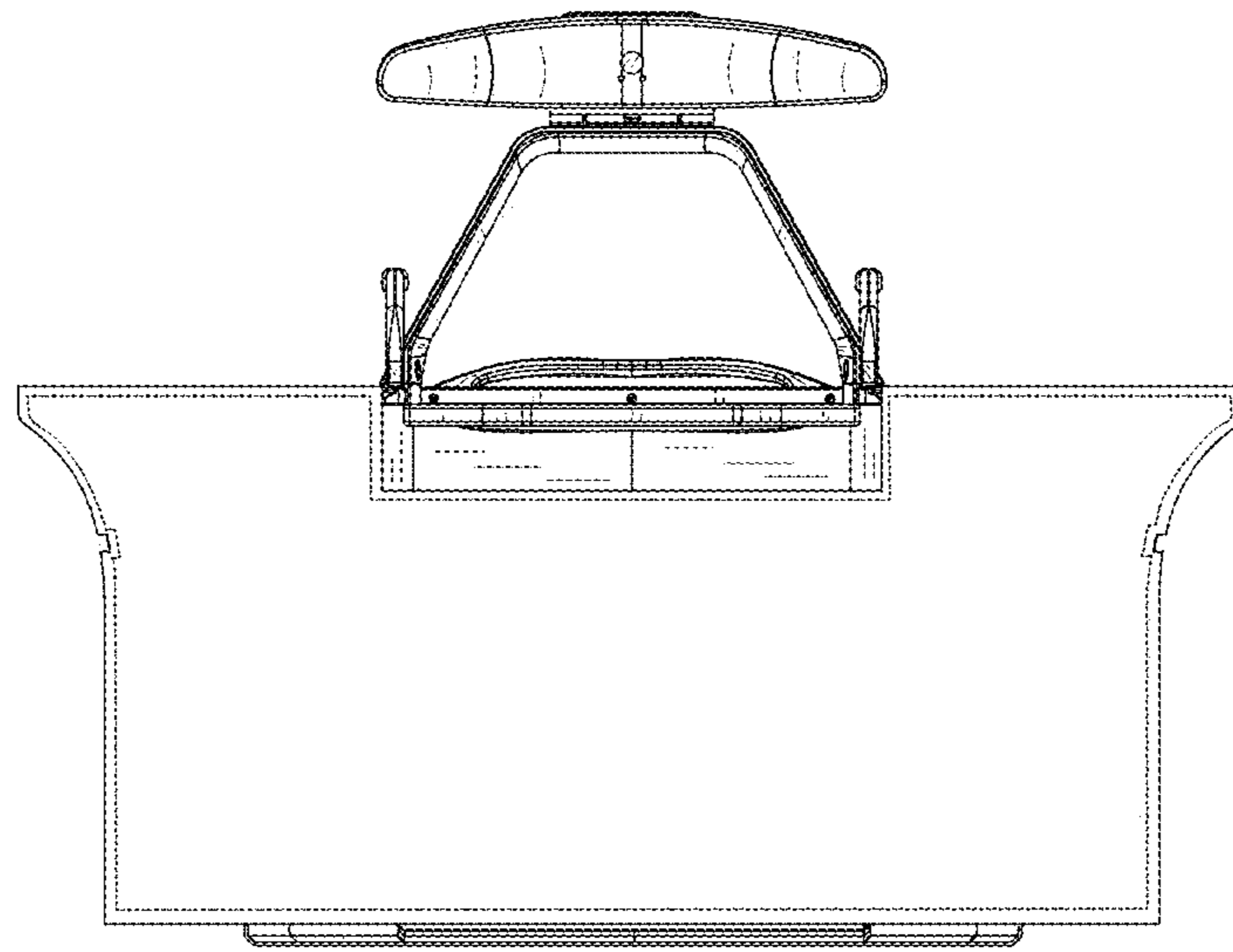


FIG.2

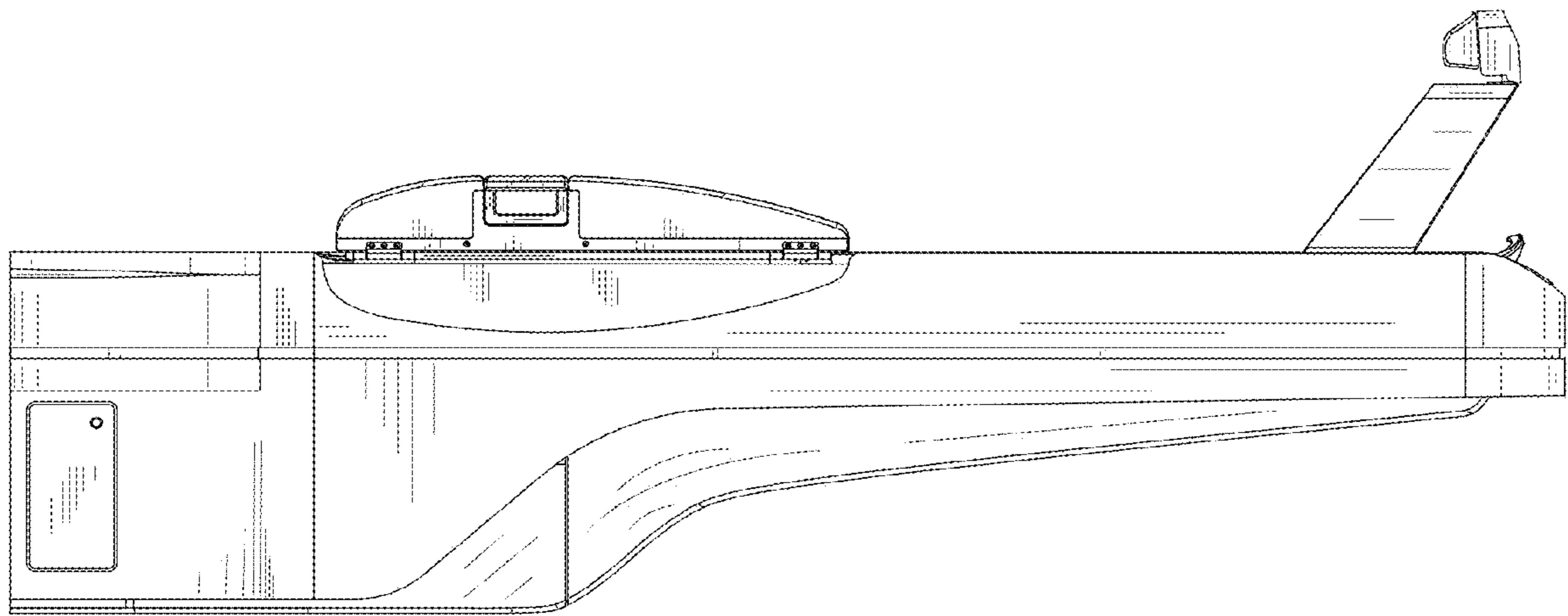


FIG.3

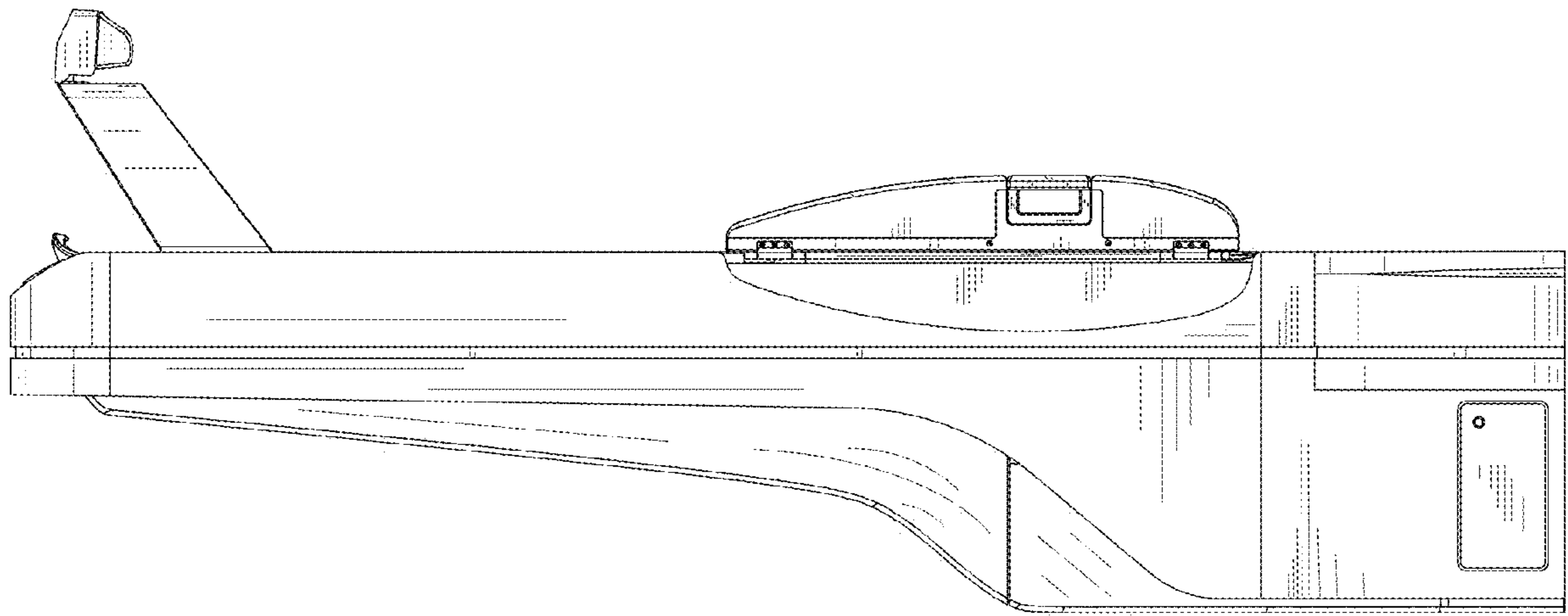


FIG.4

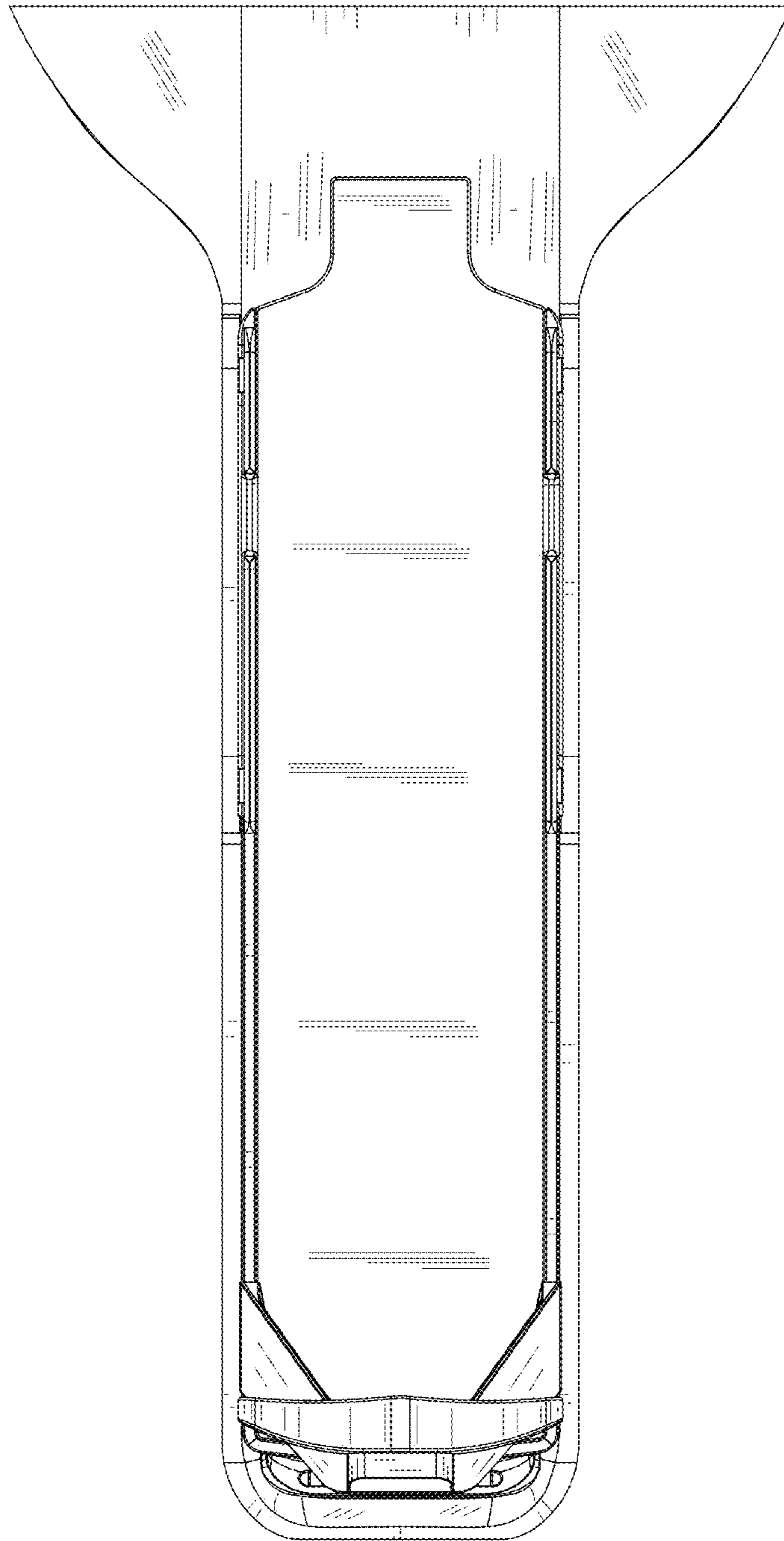


FIG.5

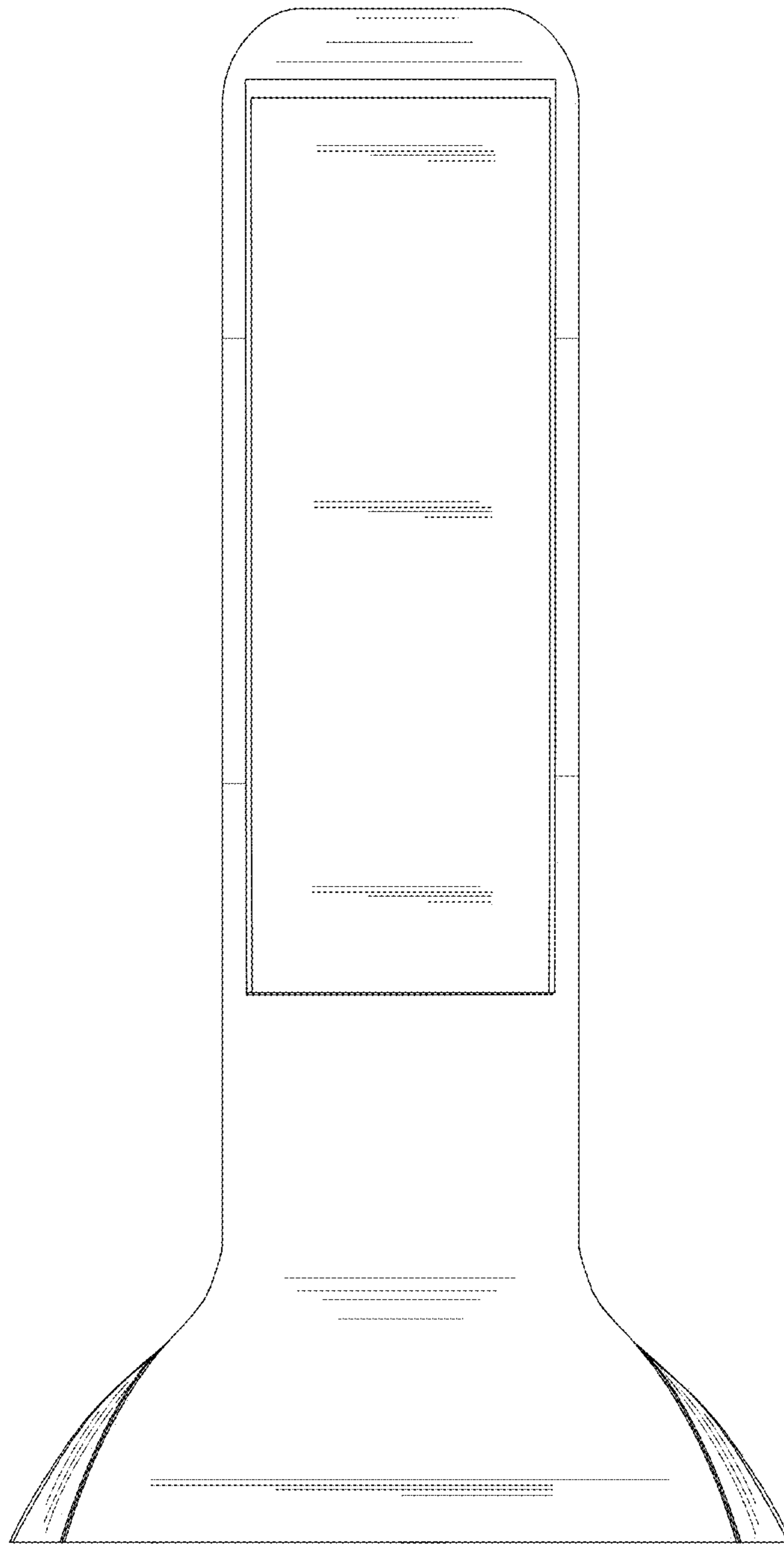


FIG.6

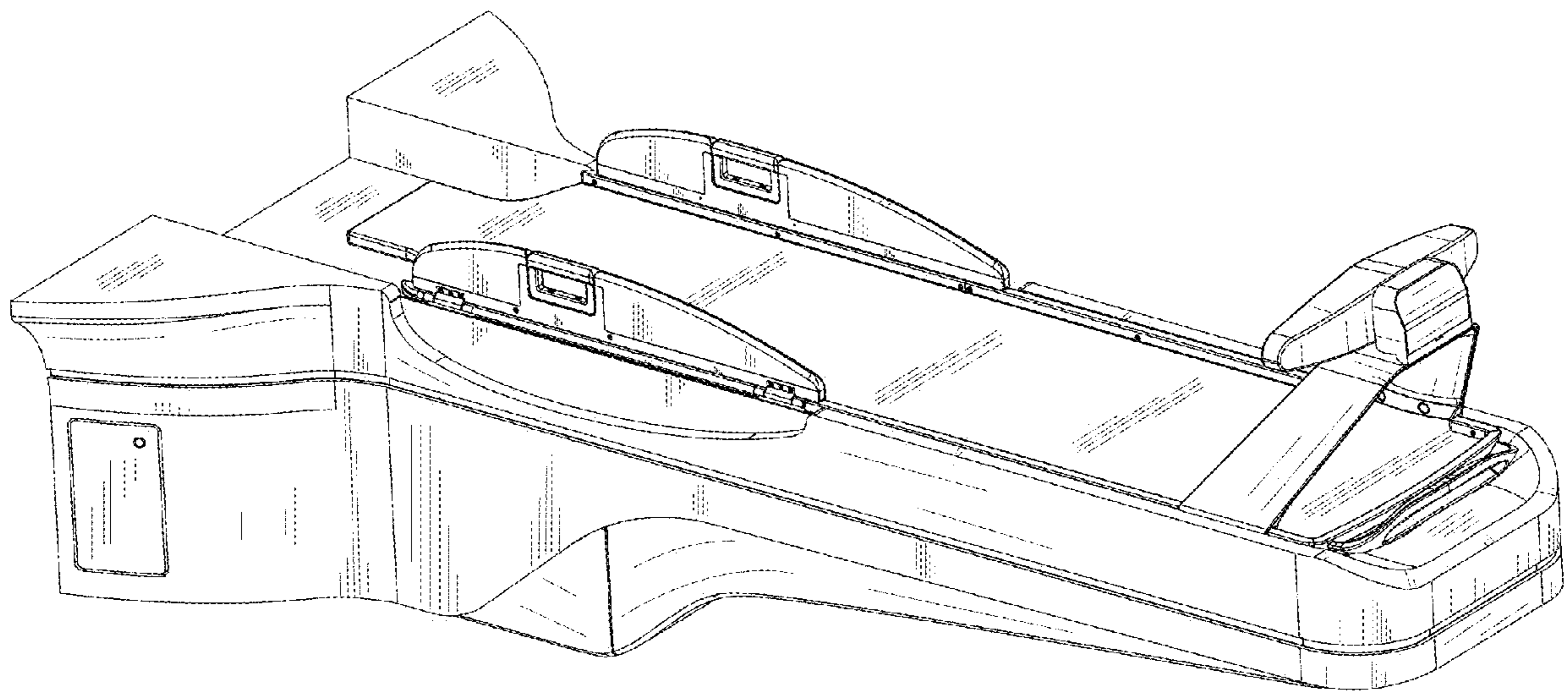


FIG.7