



US00D936827S

(12) **United States Design Patent** (10) **Patent No.:** **US D936,827 S**
Wang (45) **Date of Patent:** **** Nov. 23, 2021**

(54) **INDUSTRIAL ENDOSCOPE**
(71) Applicant: **AUTEL INTELLIGENT TECHNOLOGY CORP., LTD.,**
Guangdong (CN)
(72) Inventor: **Yongshuai Wang,** Guangdong (CN)
(73) Assignee: **AUTEL INTELLIGENT TECHNOLOGY CORP., LTD.,**
Shenzhen (CN)

D671,214 S * 11/2012 Funakoshi D24/138
D752,744 S * 3/2016 Luo D24/138
D755,379 S * 5/2016 Amano D24/138
D762,853 S * 8/2016 Amano D24/138
D820,982 S * 6/2018 Miller D24/137
D828,862 S * 9/2018 Fang D16/130
D835,271 S * 12/2018 Myers D24/137
D865,171 S * 10/2019 Tajima D24/138
D901,010 S * 11/2020 Perrault D24/137
D901,011 S * 11/2020 Perrault D24/137

* cited by examiner

Primary Examiner — Eliza Z Bennett-Hattan

(**) Term: **15 Years**

(21) Appl. No.: **29/704,757**

(22) Filed: **Sep. 6, 2019**

(30) **Foreign Application Priority Data**

Mar. 8, 2019 (CN) 201930094277.9

(51) **LOC (13) Cl.** **24-02**

(52) **U.S. Cl.**
USPC **D24/138**

(58) **Field of Classification Search**
USPC D24/138, 137, 147, 144, 108, 113, 127,
D24/133; D14/203.1
CPC . G02B 23/2476; G02B 23/2484; G02B 23/16
See application file for complete search history.

(56) **References Cited**

U.S. PATENT DOCUMENTS

D358,471 S * 5/1995 Cope D24/137
D671,213 S * 11/2012 Funakoshi D24/138

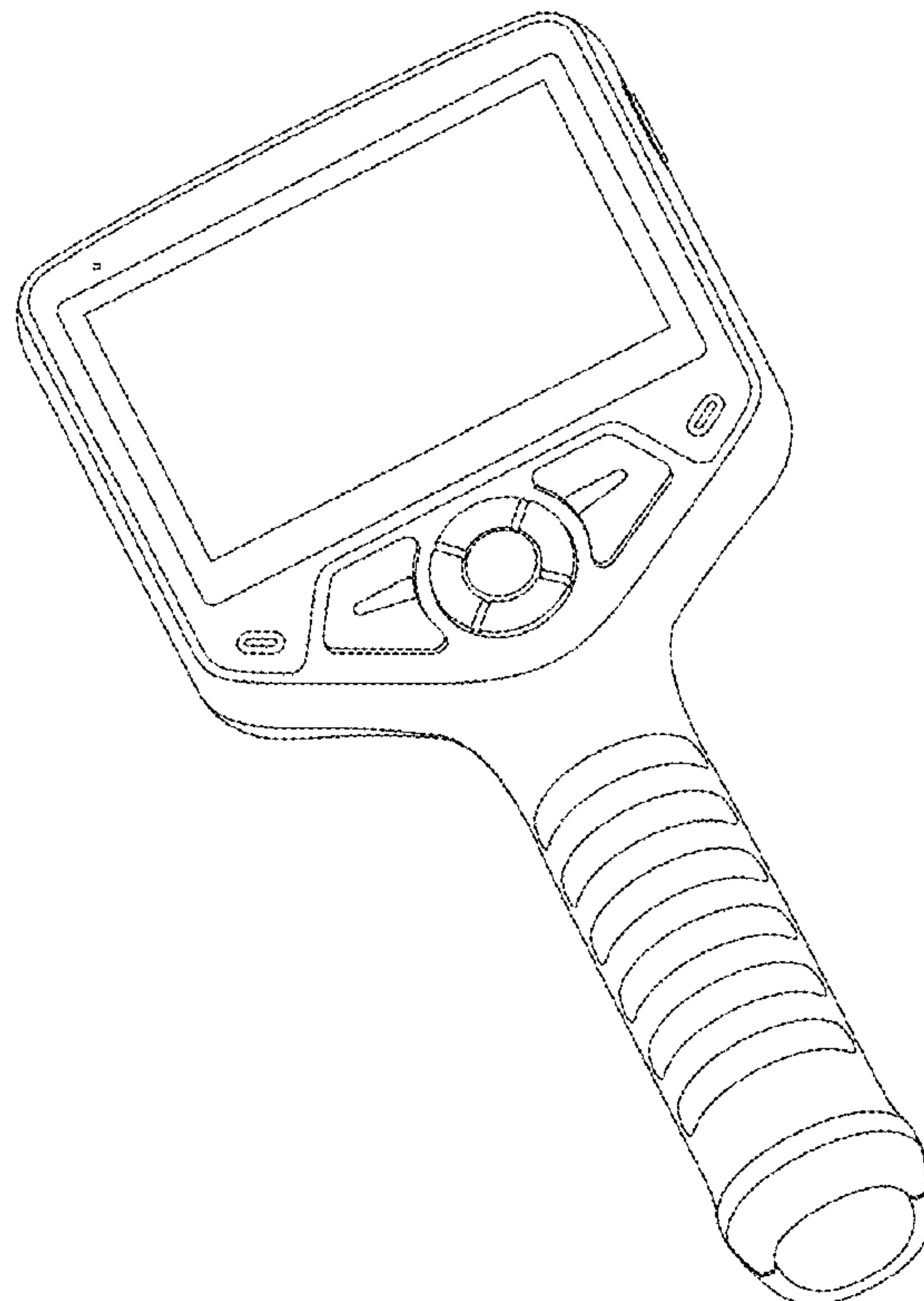
(57) **CLAIM**

I claim the ornamental design for an industrial endoscope, as shown and described.

DESCRIPTION

FIG. 1 is a front elevational view of an industrial endoscope showing our new design;
FIG. 2 is a back elevational view thereof;
FIG. 3 is a left side elevational view thereof;
FIG. 4 is a right side elevational view thereof;
FIG. 5 is a top plan view thereof;
FIG. 6 is a bottom plan view thereof;
FIG. 7 is a perspective view thereof; and,
FIG. 8 is another perspective view thereof.

1 Claim, 7 Drawing Sheets



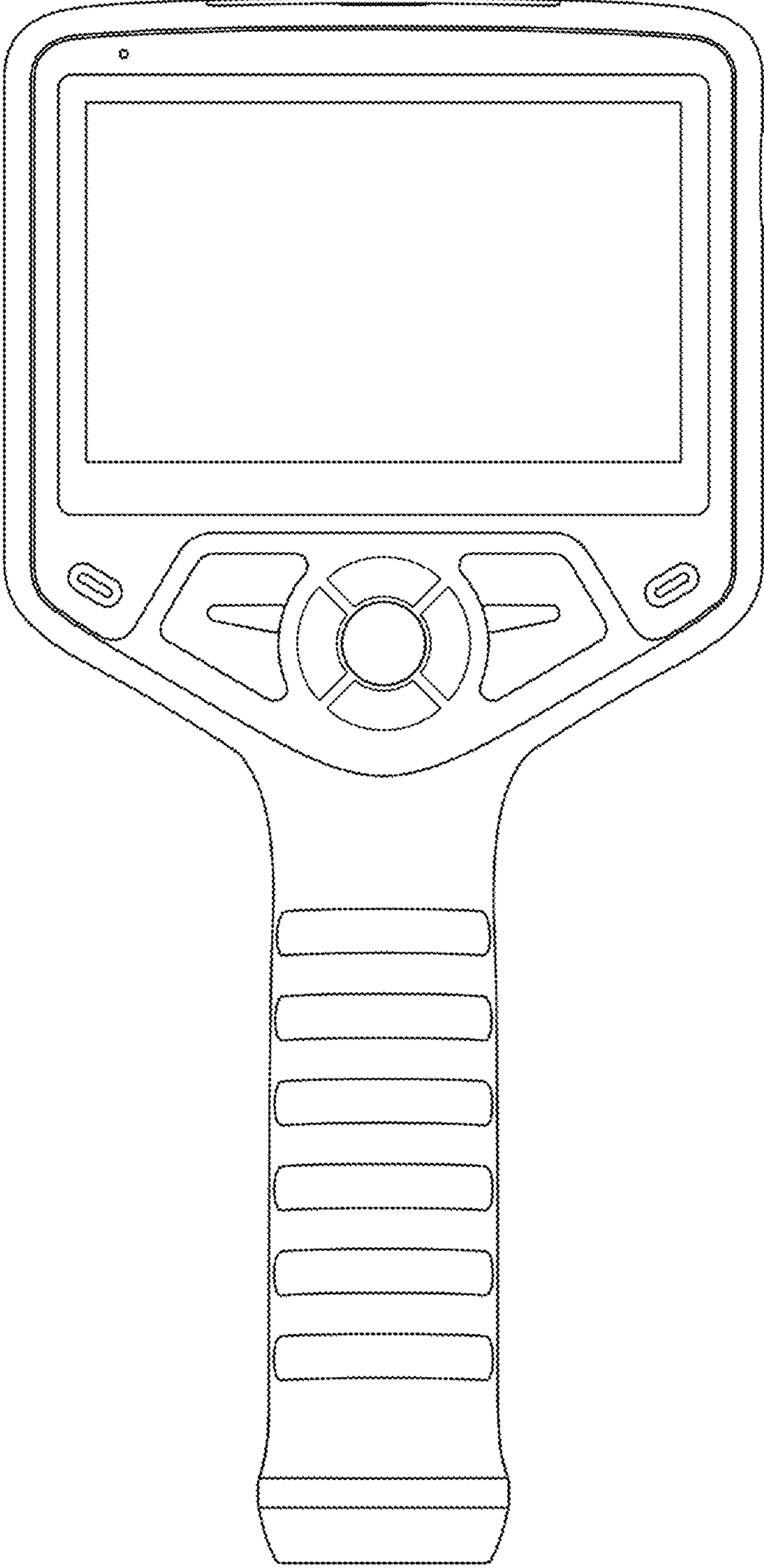


FIG.1

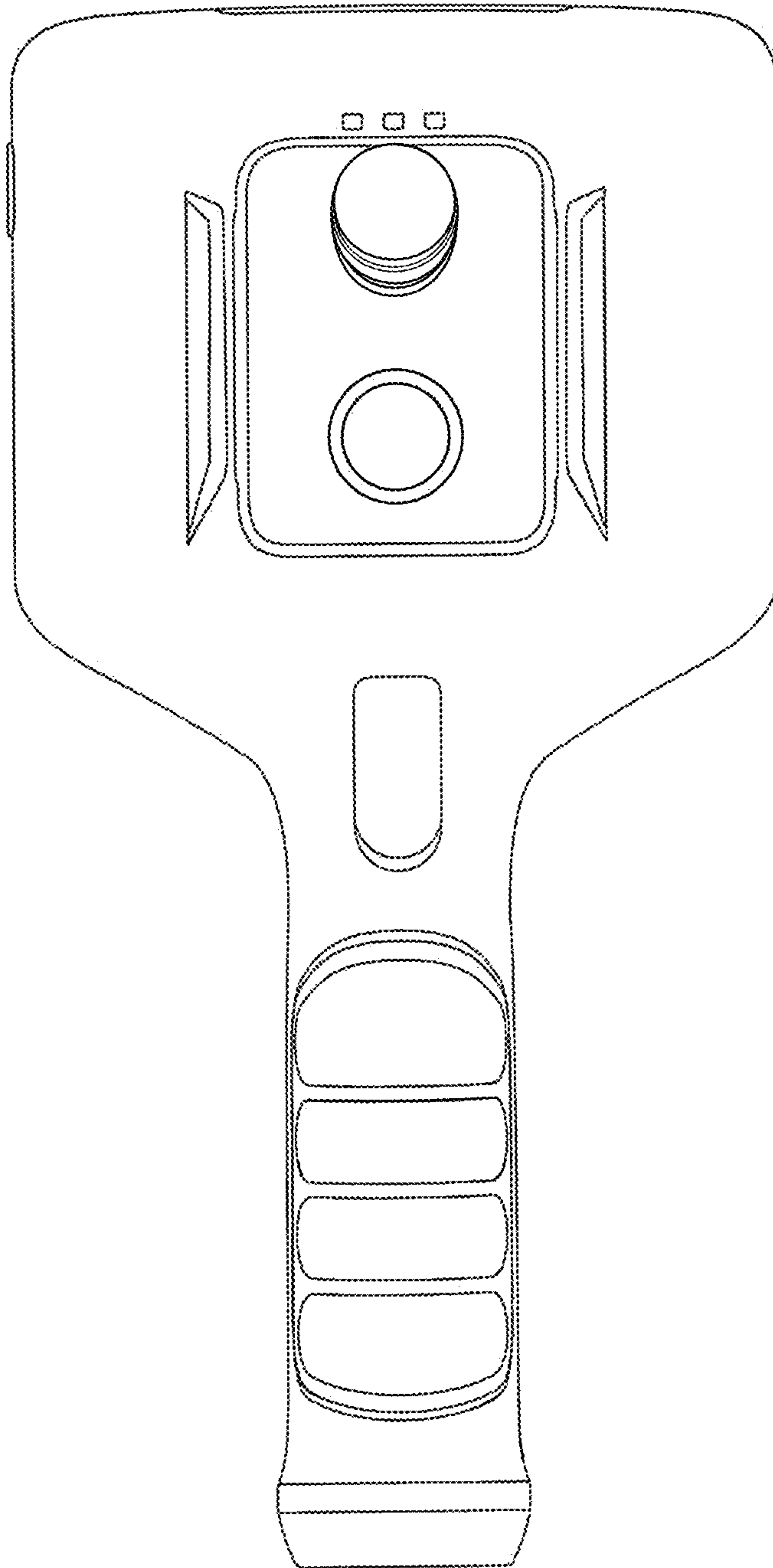


FIG. 2

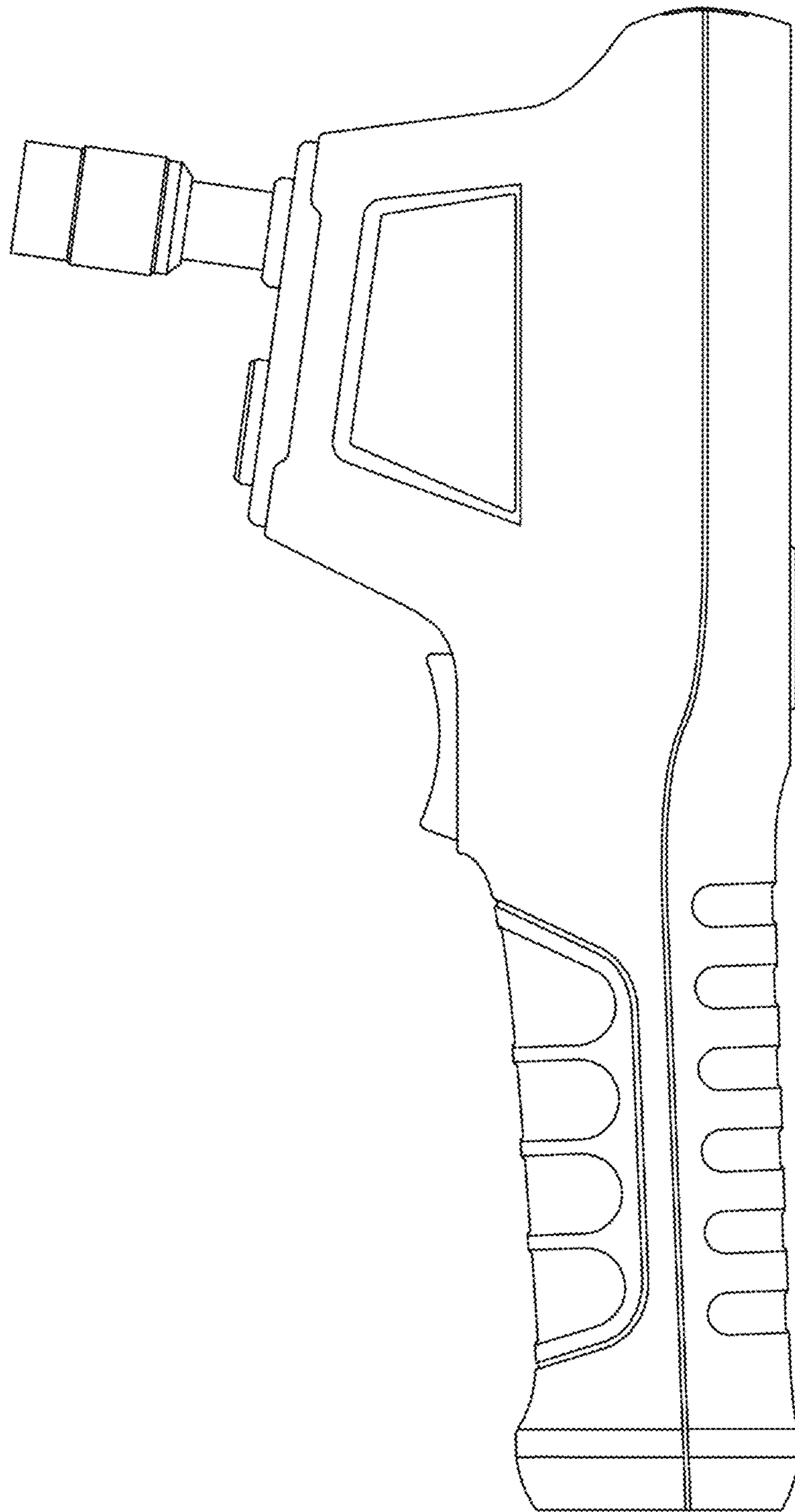


FIG.3

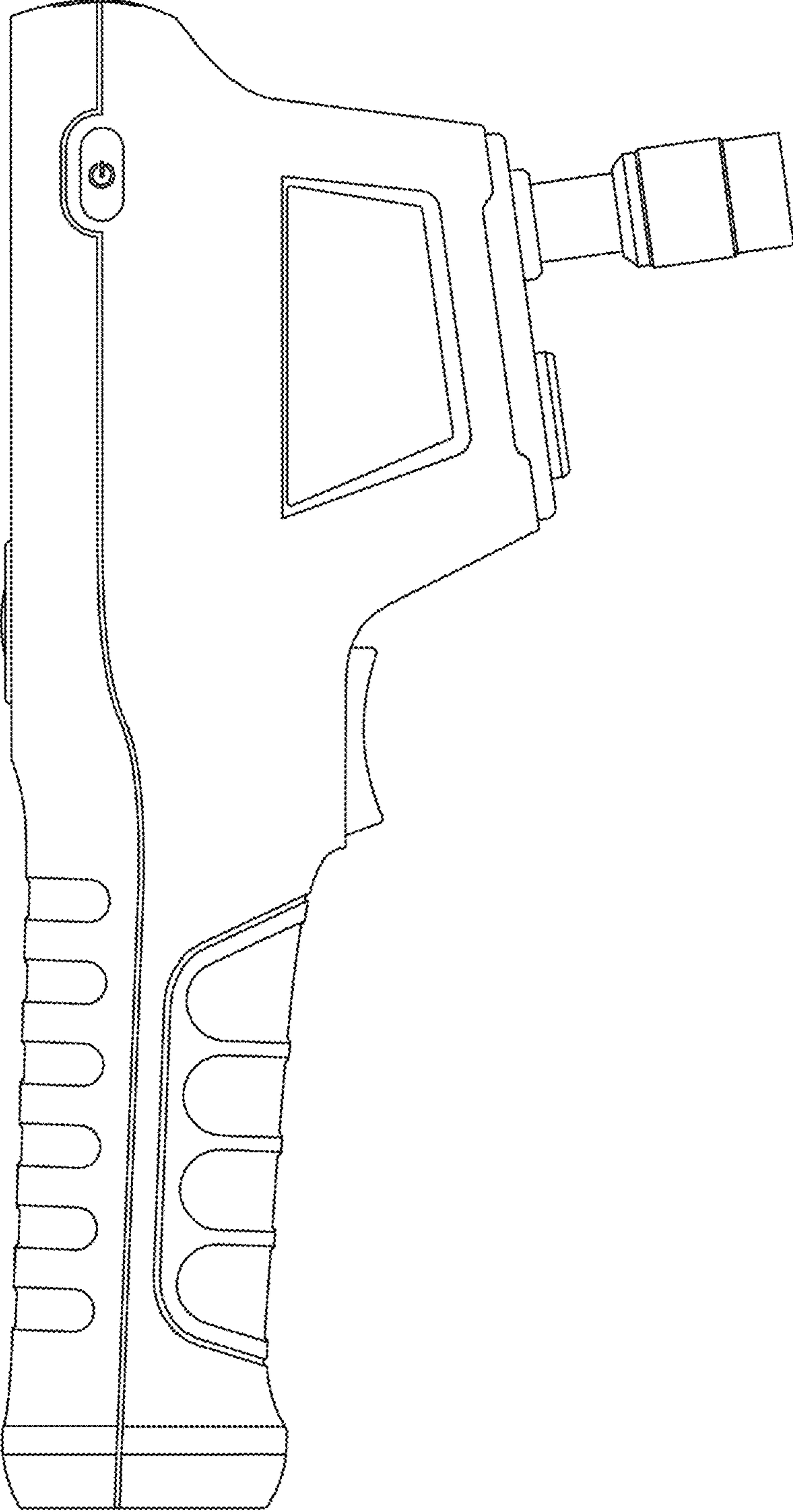


FIG.4

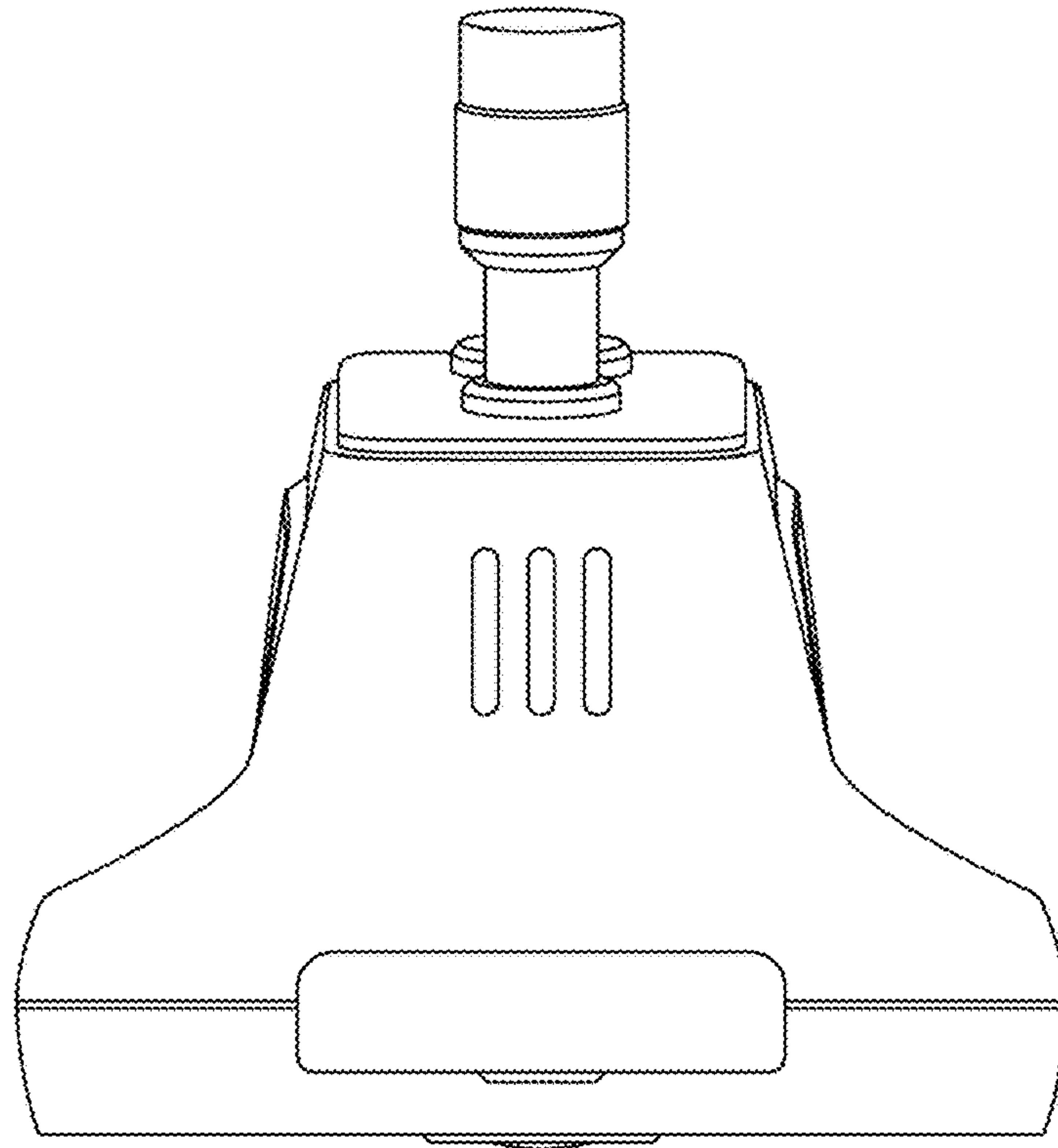


FIG.5

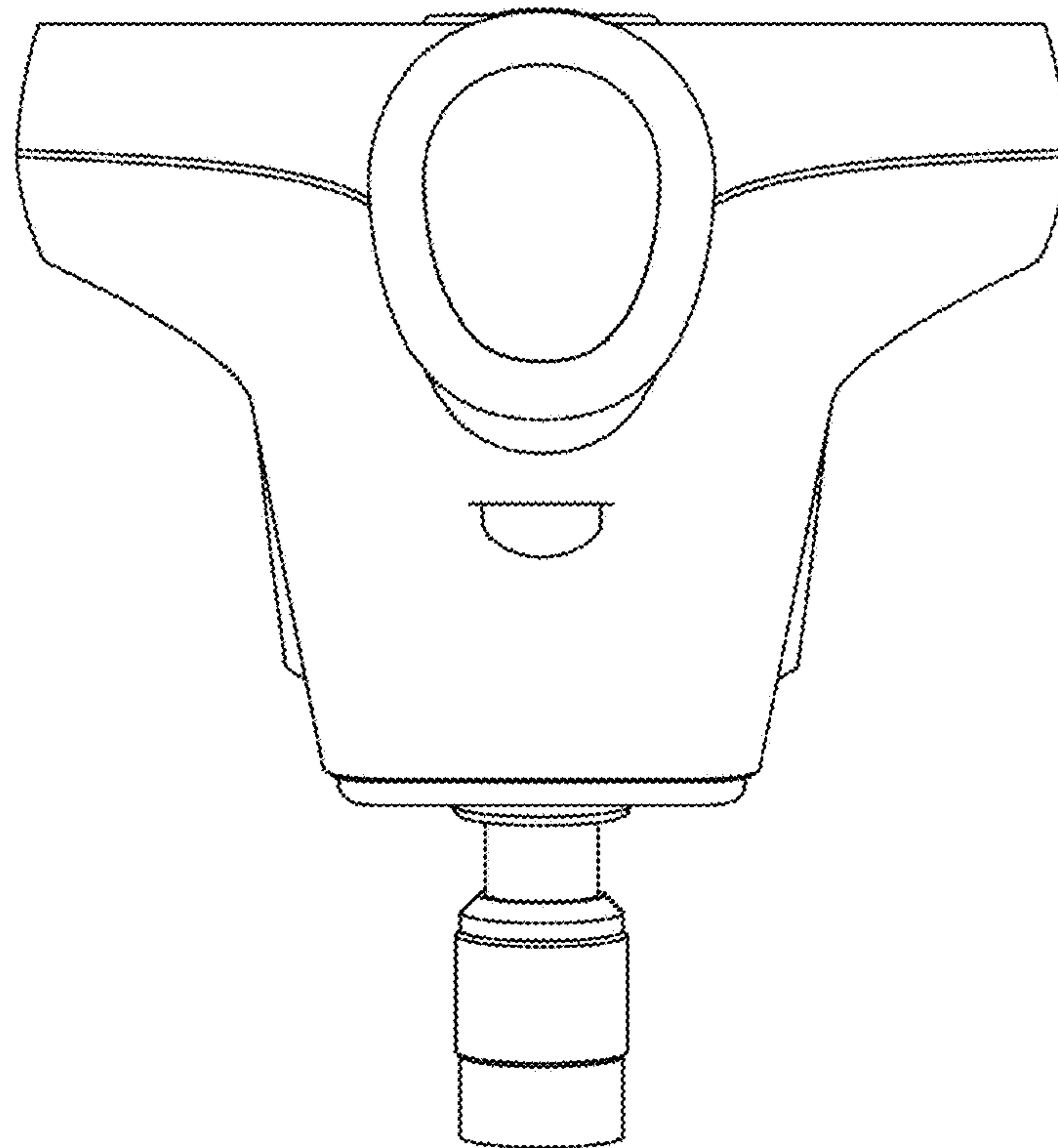


FIG.6

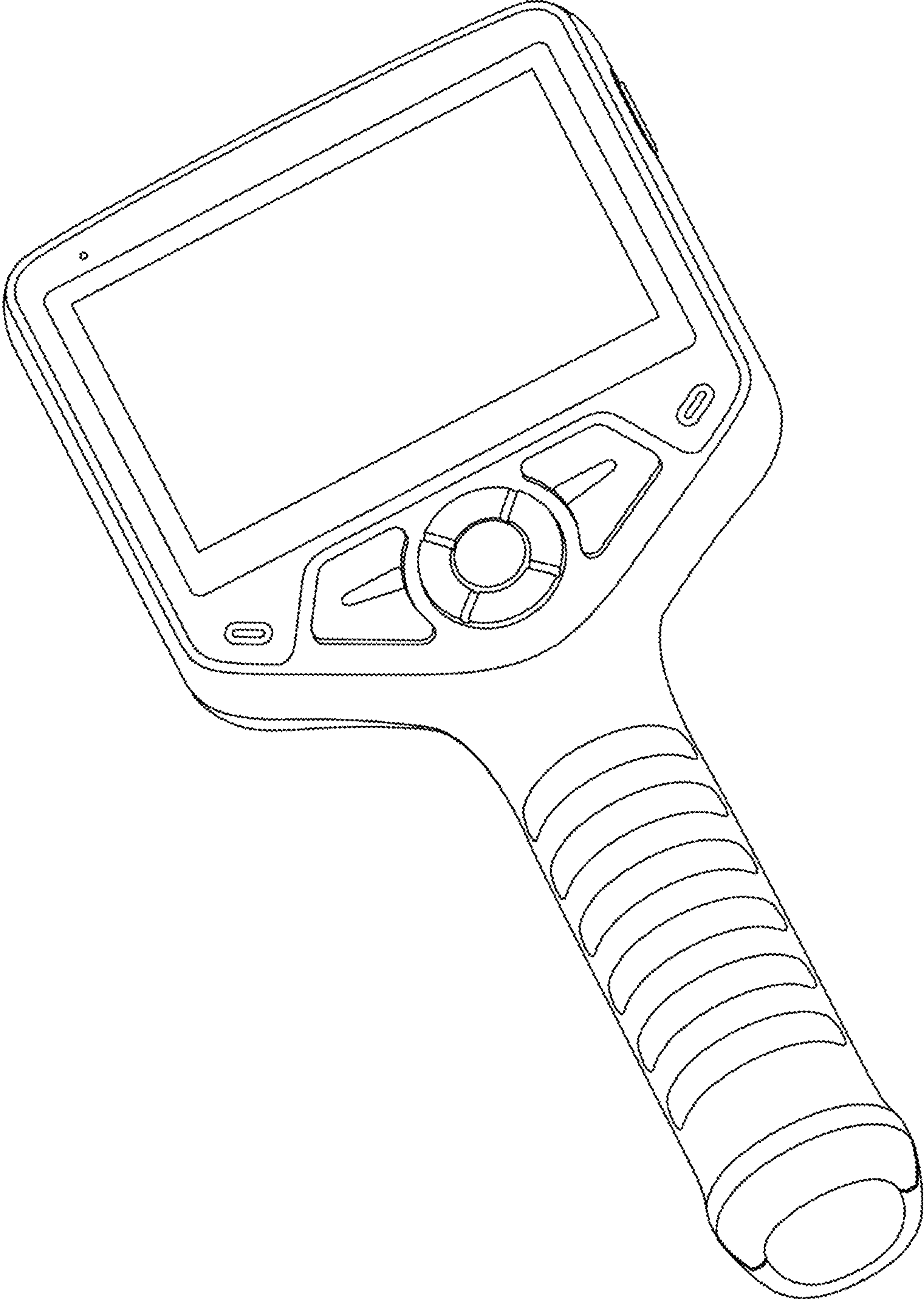


FIG.7

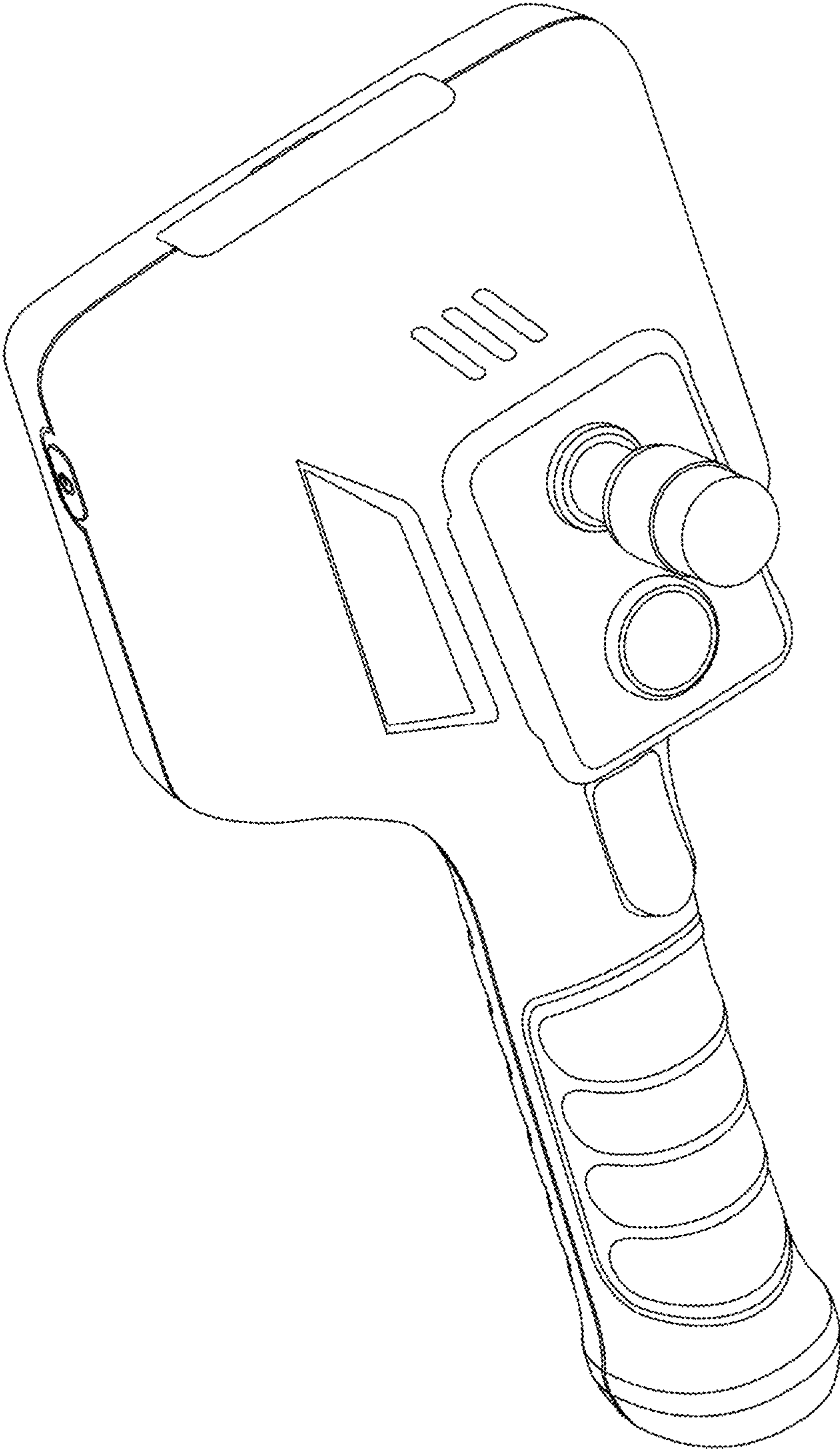


FIG.8