



US00D936825S

(12) **United States Design Patent**
VanPelt

(10) **Patent No.:** **US D936,825 S**

(45) **Date of Patent:** **** Nov. 23, 2021**

- (54) **CAPNOGRAPHY FITTING**
- (71) Applicant: **ACCUTRON, INC.**, Phoenix, AZ (US)
- (72) Inventor: **Benjamin F. VanPelt**, Peoria, AZ (US)
- (73) Assignee: **Hu-Friedy Mfg Co., LLC**, Chicago, IL (US)
- (**) Term: **15 Years**

4,846,170 A 7/1989 McAnalley
 4,944,310 A 7/1990 Sullivan
 5,018,519 A 5/1991 Brown
 D321,570 S 11/1991 Blasdel
 5,109,839 A 5/1992 Blasdel et al.
 (Continued)

FOREIGN PATENT DOCUMENTS

EM 003328681-0001 9/2017
 EM 003328681-0002 9/2017
 (Continued)

- (21) Appl. No.: **29/639,941**
- (22) Filed: **Mar. 9, 2018**
- (51) **LOC (13) Cl.** **24-02**
- (52) **U.S. Cl.**
USPC **D24/129**
- (58) **Field of Classification Search**
USPC D24/110, 110.4, 108, 111, 155, 127-131,
D24/112-114, 133, 186; 606/181, 185;
604/264, 523-528, 272, 187, 158,
604/164.01-164.11, 181, 184, 227;
600/101, 139, 143; 128/200.24, 207.14,
128/207.15
CPC A61B 5/0836; A61M 25/00; A61M 39/00;
A61M 27/00; A61M 25/0043; A61M
25/0067; A61M 25/0097; A61F 2/958
See application file for complete search history.

OTHER PUBLICATIONS

Online Press Release from Crosstex / Accutron website entitled
 "Crosstex Launches Axess Mask Sedation System," dated Mar. 1,
 2017. <http://www.crosstex.com/resourcespdf/CTX5601-AxessPressRelease%20030117.pdf> (1 page).
 (Continued)

Primary Examiner — David G Muller
 (74) *Attorney, Agent, or Firm* — Sorell, Lenna &
 Schmidt, LLP; William D. Schmidt, Esq.

(57) **CLAIM**

The ornamental design for a capnography fitting, as shown and described.

DESCRIPTION

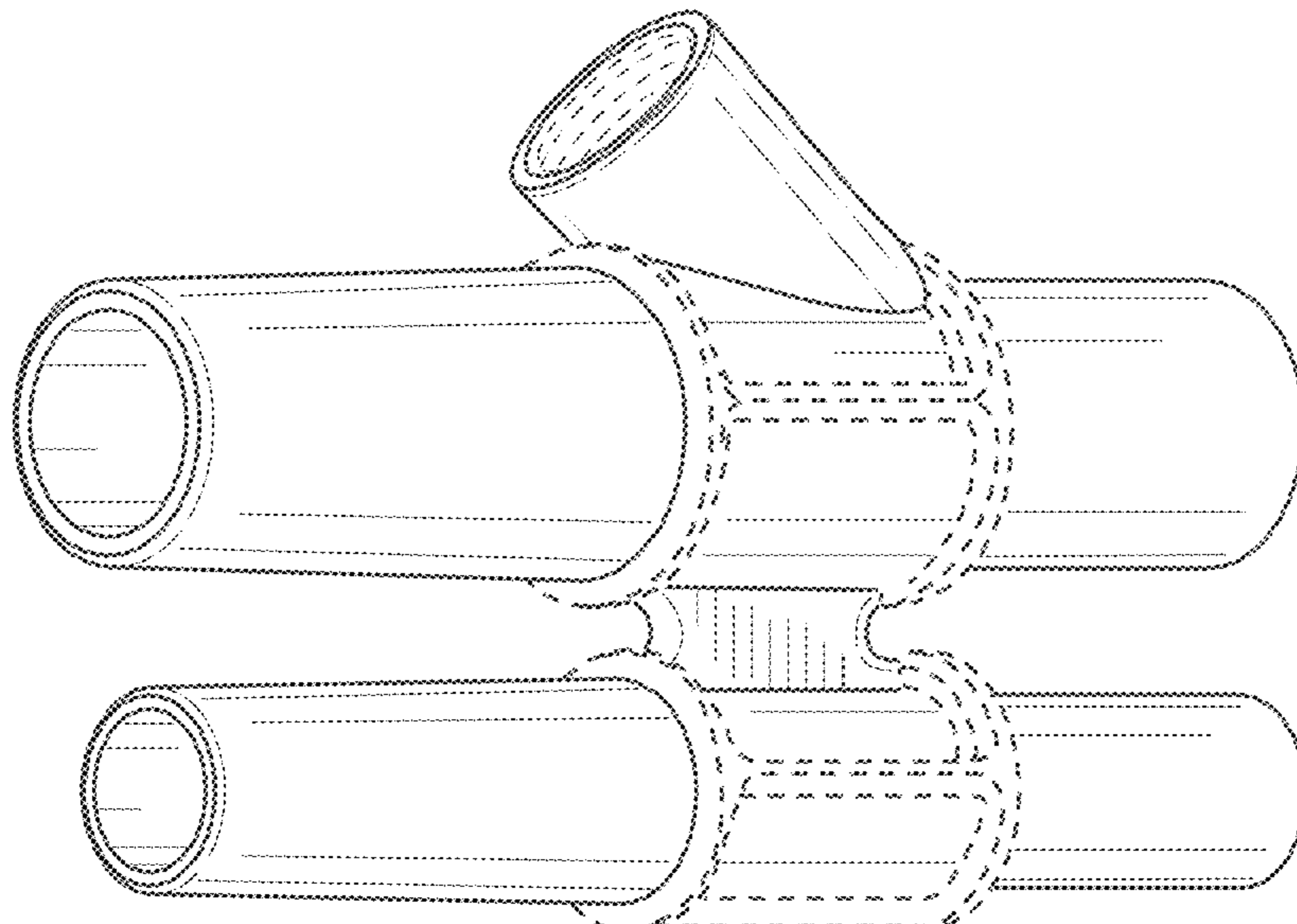
FIG. 1 is a perspective view of a capnography fitting;
 FIG. 2 is a side view of the capnography fitting;
 FIG. 3 is a side view of the capnography fitting;
 FIG. 4 is a back view of the capnography fitting;
 FIG. 5 is a front view of the capnography fitting;
 FIG. 6 is a top view of the capnography fitting; and,
 FIG. 7 is a bottom view of the capnography fitting.
 The broken lines in the figures show portions of the capnography fitting that form no part of the claimed design.

(56) **References Cited**

U.S. PATENT DOCUMENTS

- 1,206,045 A 11/1916 Smith
- 1,740,083 A 12/1929 Galvin
- 2,663,297 A 12/1953 Turnburg
- 3,393,677 A 7/1968 Echard
- 3,889,671 A 6/1975 Baker
- 4,176,666 A 12/1979 Hovey
- 4,219,020 A 8/1980 Czajka
- 4,248,218 A 2/1981 Fischer
- 4,379,472 A * 4/1983 Cunningham A61L 2/04
138/89

1 Claim, 4 Drawing Sheets



(56)

References Cited

U.S. PATENT DOCUMENTS

5,267,557 A 12/1993 Her-Mou
 5,311,862 A 5/1994 Blasdel et al.
 D353,198 S 12/1994 Blasdel et al.
 5,400,781 A 3/1995 Davenport
 5,419,317 A 5/1995 Blasdel
 D365,632 S 12/1995 Blasdel
 5,569,293 A * 10/1996 Yoon A61B 17/3417
 604/165.02
 5,676,133 A 10/1997 Hickel et al.
 D390,653 S 2/1998 Blasdel
 D398,987 S 9/1998 Cotner et al.
 5,857,460 A 1/1999 Poplitz
 6,019,101 A 2/2000 Cotner et al.
 6,135,109 A 10/2000 Blasdel
 6,263,874 B1 7/2001 Ledez
 D519,632 S * 4/2006 Bayron D24/110.6
 7,500,482 B2 3/2009 Biederman
 8,001,968 B2 8/2011 Doty et al.
 D691,717 S * 10/2013 McLean D24/110.6
 8,893,720 B2 11/2014 Cohen
 D747,473 S * 1/2016 Martin D24/129
 D777,905 S 1/2017 Wolf et al.
 9,656,037 B2 5/2017 Guyette
 D810,273 S * 2/2018 Maier D24/108
 D818,116 S * 5/2018 Teufel D24/112
 D826,400 S * 8/2018 Nelson D24/129
 10,080,498 B1 * 9/2018 Gibson A61B 5/0004
 D829,897 S * 10/2018 Iida D24/129

D836,191 S * 12/2018 Kheradpir D24/112
 10,149,953 B2 * 12/2018 Church A61B 5/0836
 10,426,941 B2 * 10/2019 Thompson A61B 5/082
 2003/0145859 A1 8/2003 Bohn
 2012/0138058 A1 6/2012 Fu et al.
 2012/0285457 A1 11/2012 Mansour
 2017/0259018 A1 9/2017 Blasdel et al.
 2017/0361057 A1 12/2017 Blasdel et al.

FOREIGN PATENT DOCUMENTS

EM 003328681-0003 9/2017
 EM 003328681-0004 9/2017

OTHER PUBLICATIONS

International Search Report and Written Opinion of the International Searching Authority (ISA/US) dated Jun. 1, 2017 of International Application No. PCT/US2017/021846 filed Oct. 3, 2017.
 International Search Report and Written Opinion of the International Searching Authority (ISA/US) dated Aug. 11, 2017 of International Application No. PCT/US2017/036987 filed Jun. 12, 2017.
 "Porter Silhouette Low Profile Nasal Mask: Change your view of nitrous oxide" online advertising on internet website www.porterinstrument.com/silhouette. Website visited May 29, 2018.
<http://www.porterinstrument.com/dentalcontent/files/datasheets/Porter-Silhouette-Nasal-Mask-Brochure-FM-1320.pdf>.

* cited by examiner

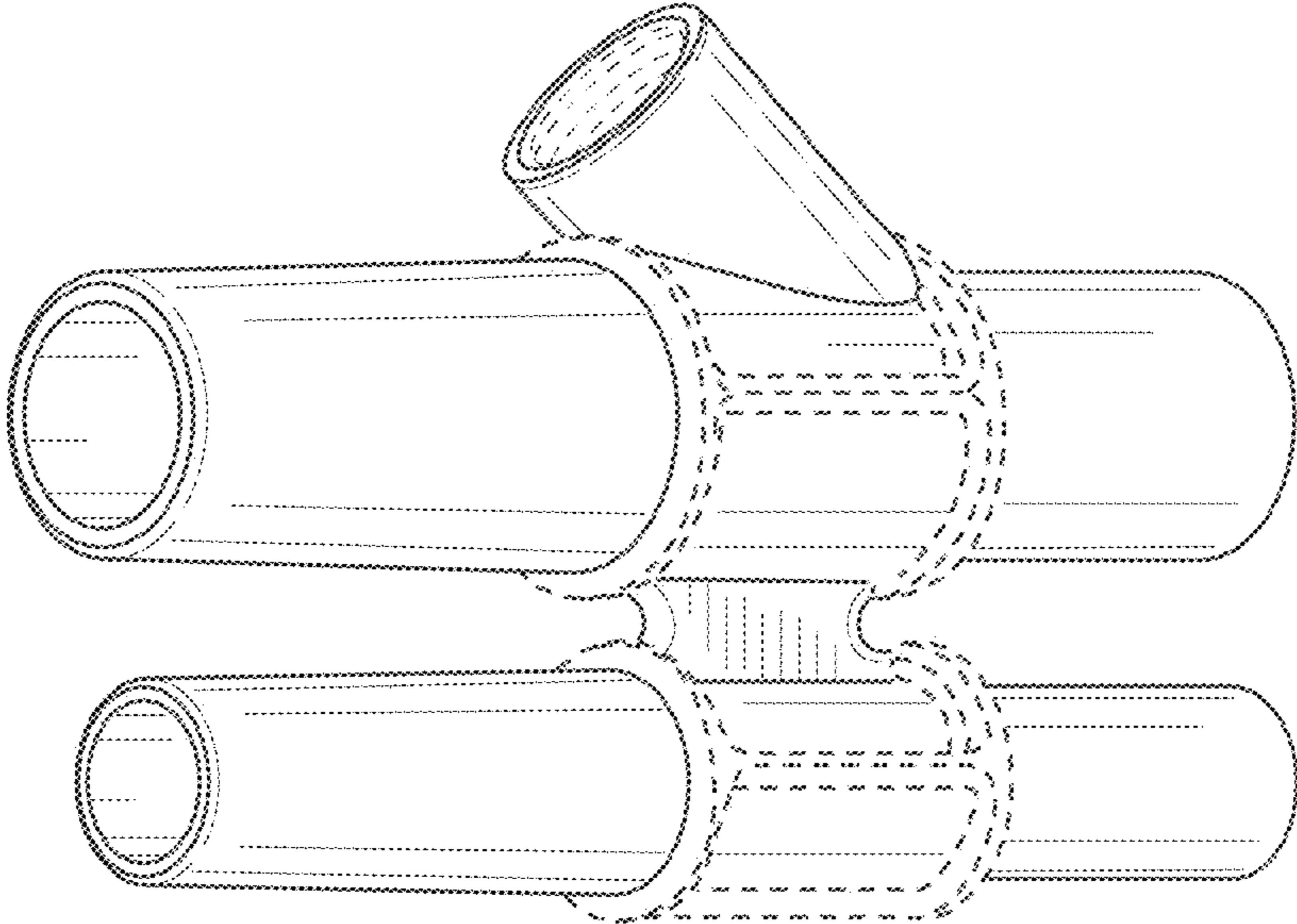


FIG. 1

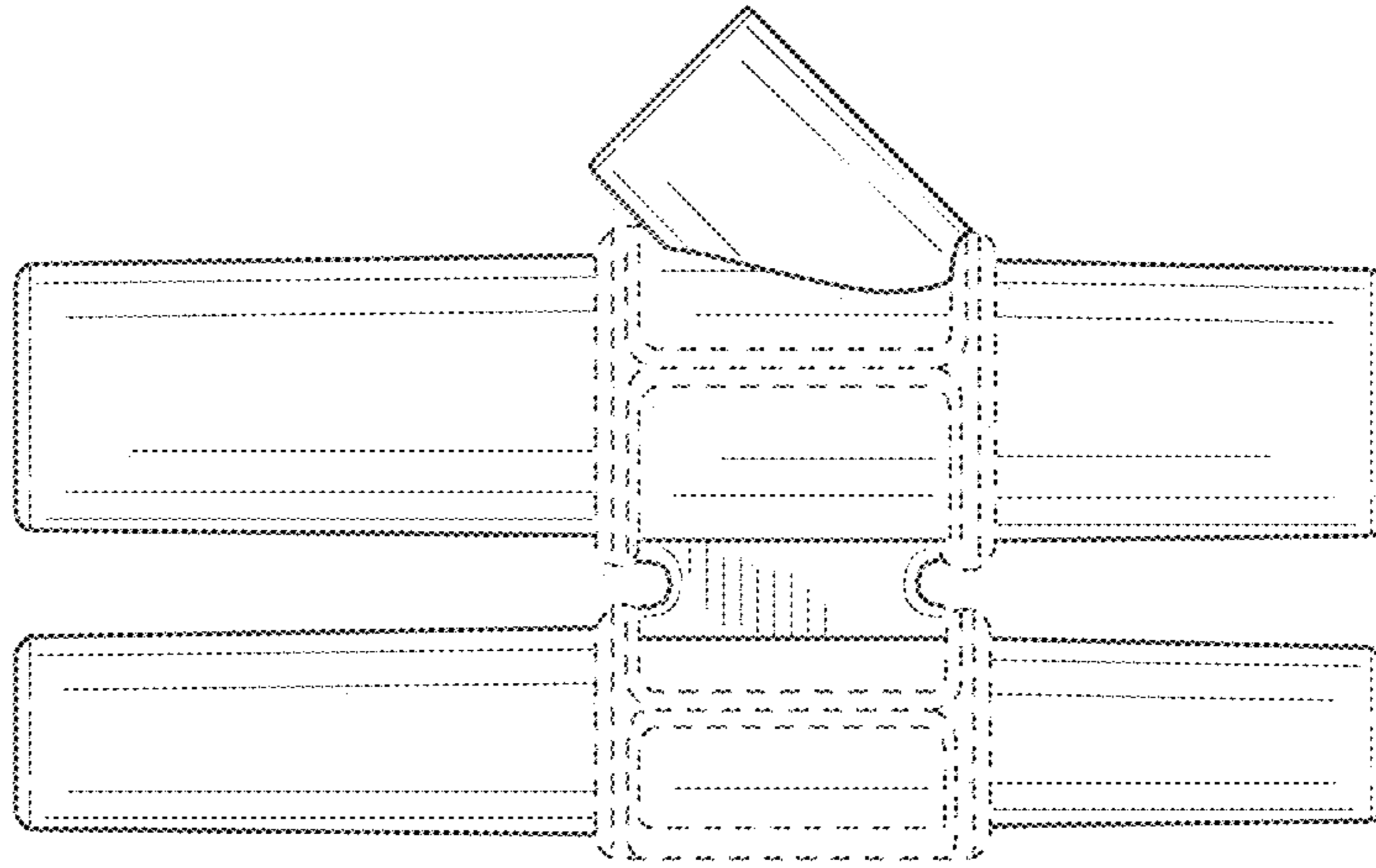


FIG. 2

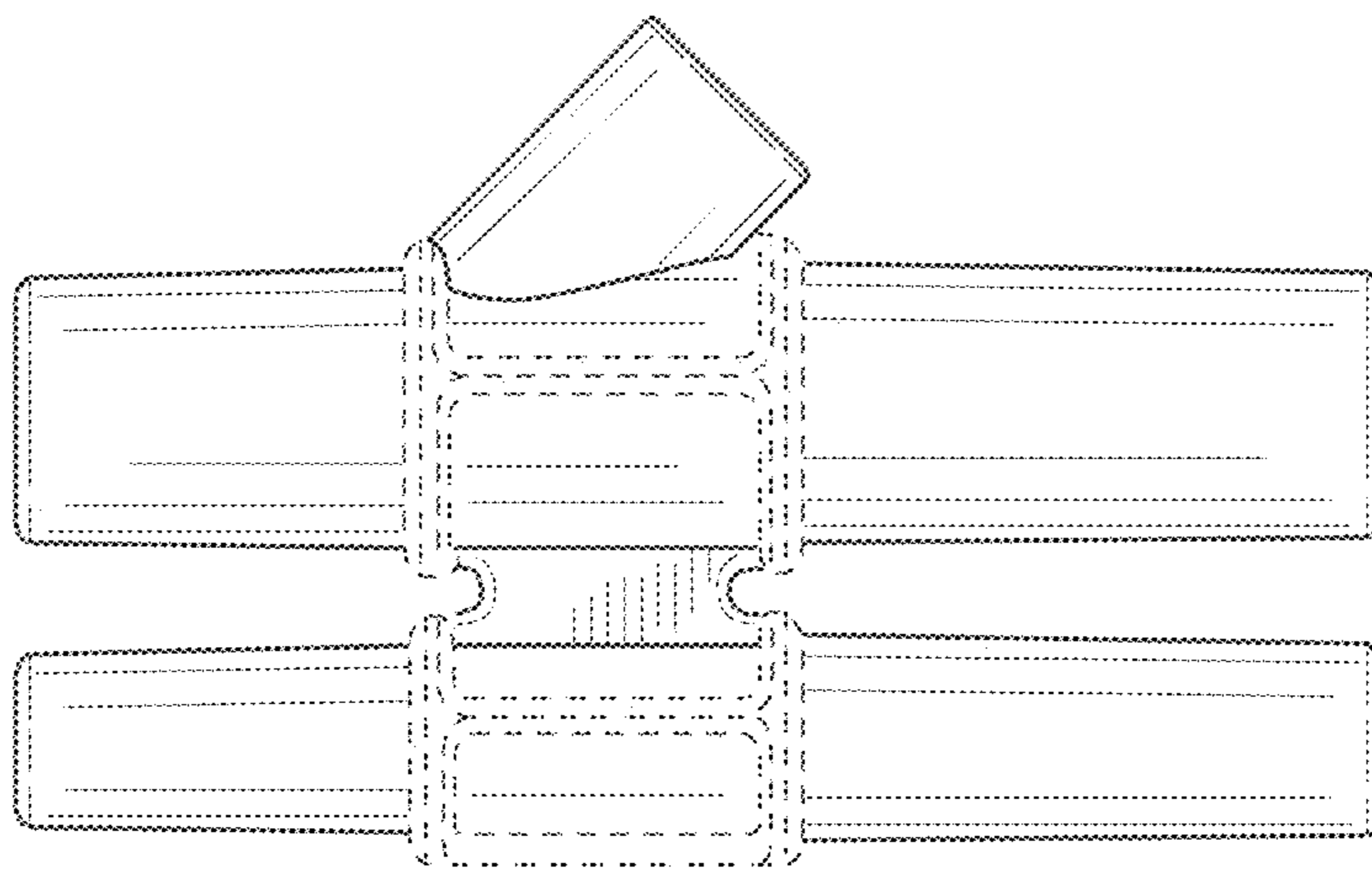


FIG. 3

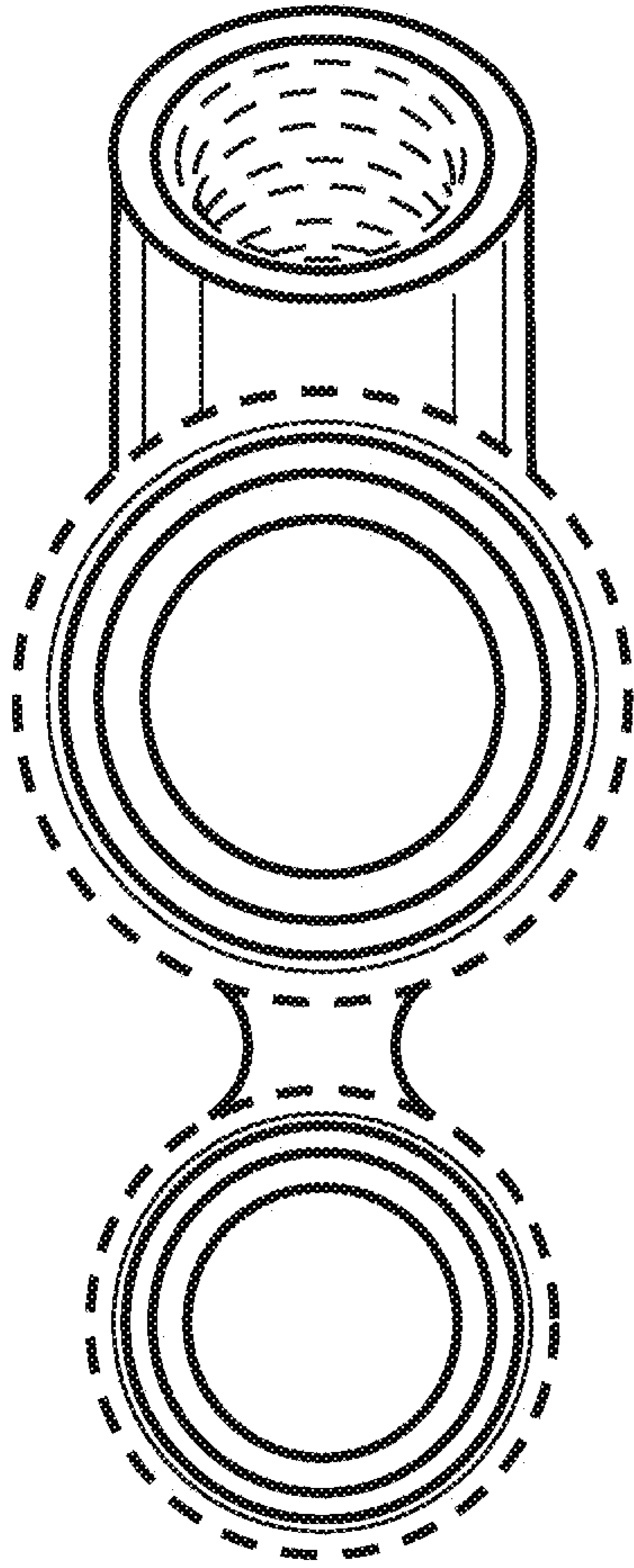


FIG. 4

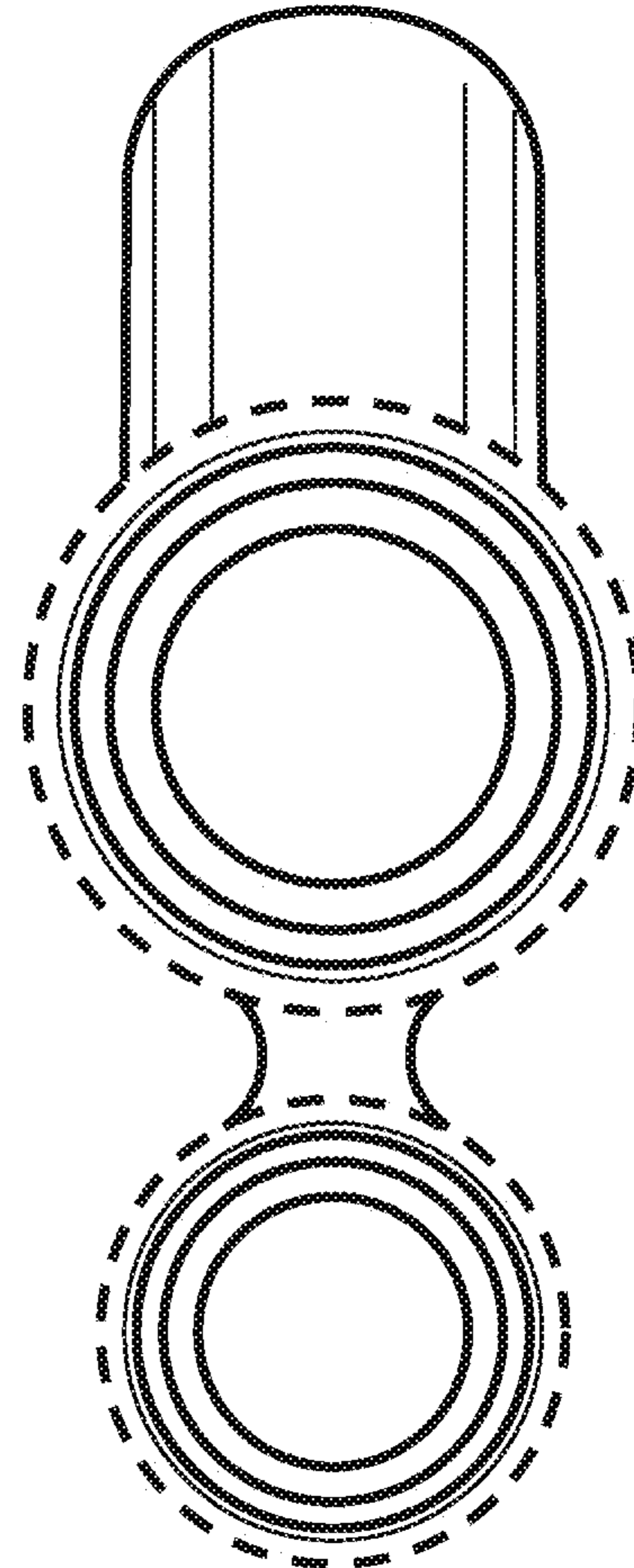


FIG. 5

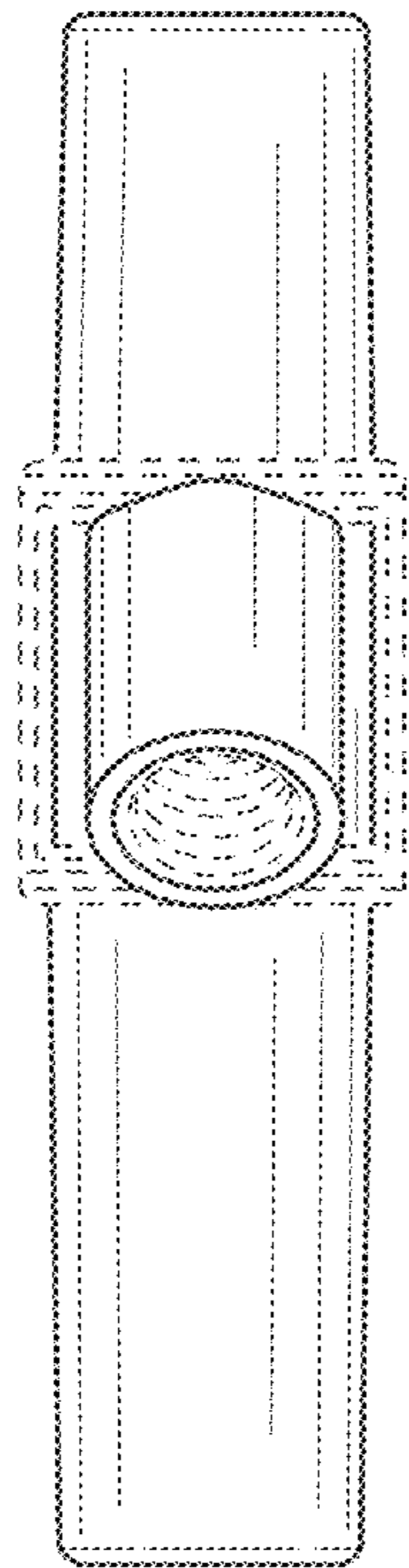


FIG. 6

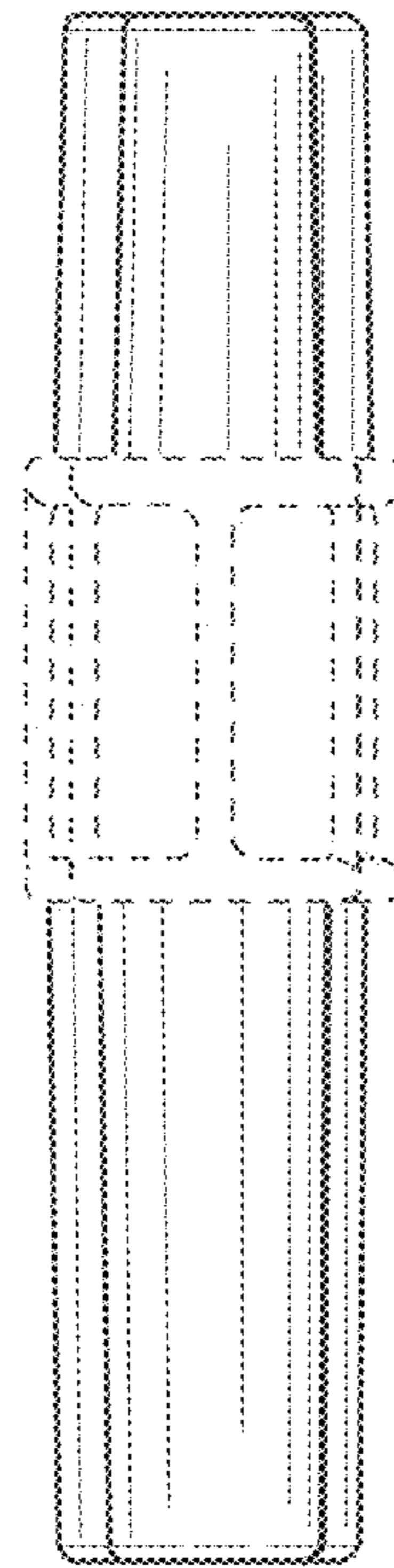


FIG. 7