



US00D936824S

(12) **United States Design Patent**
Donnelly

(10) **Patent No.:** **US D936,824 S**

(45) **Date of Patent:** **** Nov. 23, 2021**

(54) **INJECTOR PEN**

(71) Applicant: **Teva Pharmaceutical Industries Ltd.**,
Petach-Tikva (IL)

(72) Inventor: **Mathew Donnelly**, Stockport (GB)

(73) Assignee: **Teva Pharmaceutical Industries Ltd.**,
Petach-Tikva (IL)

(**) Term: **15 Years**

(21) Appl. No.: **29/660,932**

(22) Filed: **Aug. 23, 2018**

Related U.S. Application Data

(63) Continuation of application No. 29/587,652, filed on
Dec. 14, 2016, now Pat. No. Des. 827,127.

(51) **LOC (13) Cl.** **24-02**

(52) **U.S. Cl.**
USPC **D24/113**

(58) **Field of Classification Search**

USPC D24/112-114, 133, 186, 127-131;
606/181, 185; 604/264, 272, 115, 232,
604/187, 158, 164.08, 192, 263, 163, 181,
604/184, 198, 227; 600/101, 139, 143;
128/200.24, 207.14, 207.15;
D19/115-123, 177, 193
CPC A61M 5/3156; A61M 5/31591; A61M
5/3155; A61M 5/3157; A61M 5/24;
A61M 5/31501; A61M 5/31551; A61M
5/31585; A61M 2005/2407; A61M
2005/2492; A61M 2205/581; A61M
2205/582

See application file for complete search history.

(56) **References Cited**

U.S. PATENT DOCUMENTS

D324,423 S 3/1992 Ahlstrand et al.
5,478,316 A 12/1995 Bitdinger et al.

D580,489 S 11/2008 Ma
D585,489 S 1/2009 Han
D619,244 S * 7/2010 Van der Stappen D24/113
D619,650 S 7/2010 Shi
D622,374 S 8/2010 Julian et al.
D627,061 S 11/2010 Van Der Stappen
D639,337 S 6/2011 Hung
D656,545 S 3/2012 Hung
D660,958 S 5/2012 McLoughlin et al.
D688,792 S 8/2013 Guarraia et al.
D698,863 S 2/2014 Ryan et al.
D707,351 S 6/2014 Kunze
D707,352 S 6/2014 Liu et al.
D728,782 S 5/2015 Dubuc et al.

(Continued)

Primary Examiner — Nathan M Johnston

(74) *Attorney, Agent, or Firm* — Sterne, Kessler,
Goldstein & Fox P.L.L.C.

(57) **CLAIM**

The ornamental design for an injector pen, as shown and
described.

DESCRIPTION

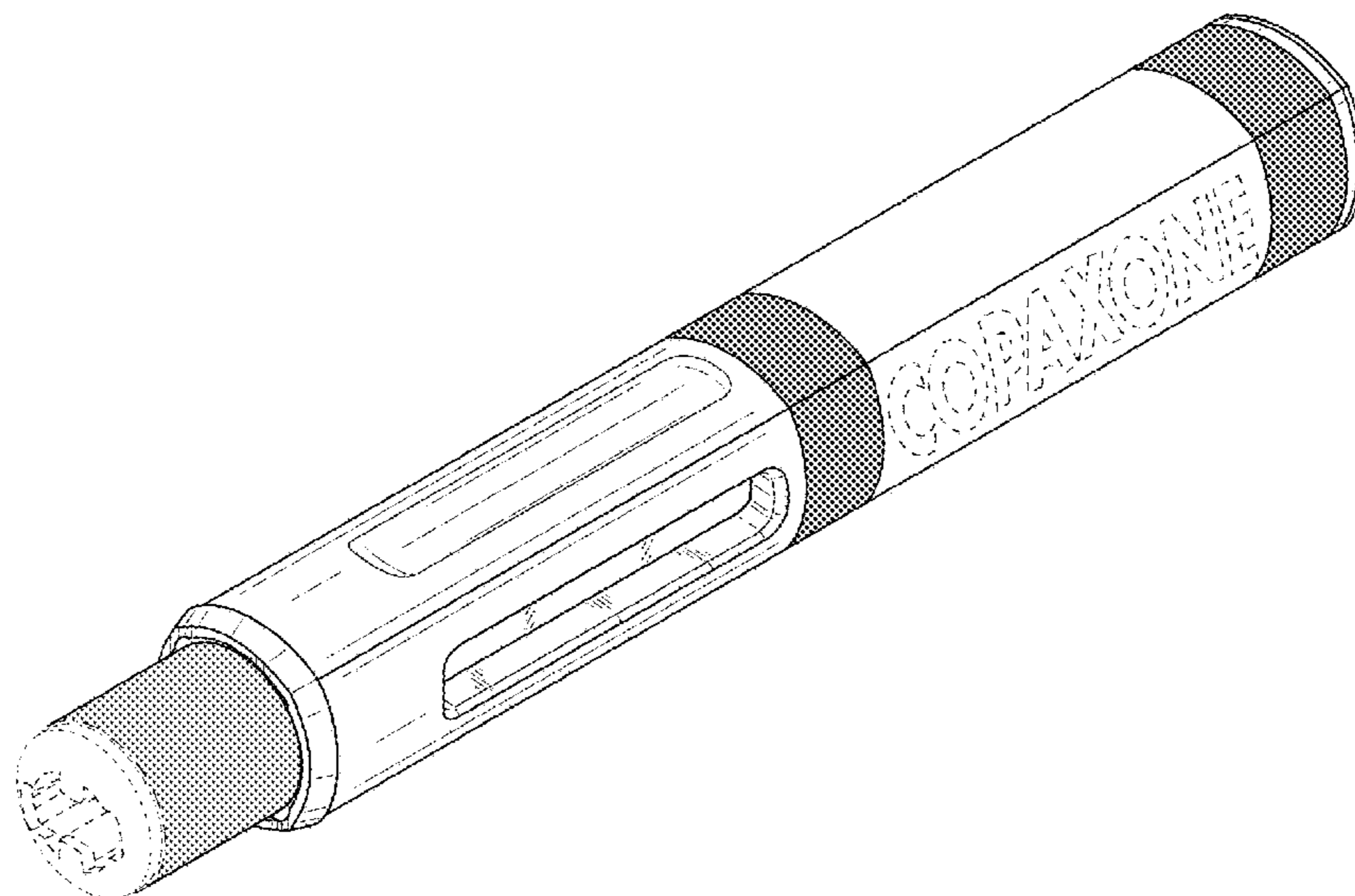
FIG. 1 is a top front perspective view of an injector pen
showing the claimed design;
FIG. 2 is a front view thereof;
FIG. 3 is a rear view thereof;
FIG. 4 is a left side view thereof;
FIG. 5 is a right side view thereof;
FIG. 6 is a top view thereof; and,
FIG. 7 is a bottom view thereof.

The broken lines in the figures show portions of the injector
pen that form no part of the claimed design.

The dot-dash broken lines in the figures show boundaries
that form no part of the claimed design.

FIGS. 1-7 are illustrated to show contrasting appearance.
Areas of the injector pen that appear in different shades of
gray represent areas with contrasting appearances. No par-
ticular shade or hue is claimed.

1 Claim, 6 Drawing Sheets



(56)

References Cited

U.S. PATENT DOCUMENTS

D732,161	S	6/2015	Ohashi	
D757,254	S *	5/2016	Wohlfahrt	D24/113
D758,568	S	6/2016	Wohlfahrt et al.	
D765,240	S *	8/2016	Hauck	D24/113
D773,648	S	12/2016	Shen et al.	
D773,649	S *	12/2016	Wohlfahrt	D24/113
D775,279	S	12/2016	Wohlfahrt et al.	
D780,909	S	3/2017	Burkett et al.	
D793,547	S	8/2017	Burkett et al.	
D794,777	S	8/2017	Daniel et al.	
D810,281	S *	2/2018	Holmqvist	D24/112
D830,539	S *	10/2018	Boyaval	D24/113
D857,192	S *	8/2019	Burkett	D24/112
D868,245	S *	11/2019	Holmqvist	A61M 5/20 D24/112
D868,961	S *	12/2019	Stewart	D24/112
2012/0123350	A1	5/2012	Giambattista et al.	
2013/0035645	A1	2/2013	Bicknell et al.	
2014/0243753	A1	8/2014	Boström	
2014/0343507	A1	11/2014	Karlsson et al.	
2015/0174335	A1 *	6/2015	Roervig	A61M 5/20 604/198
2018/0264243	A1 *	9/2018	Cordoba	A61M 5/3202
2019/0217022	A1 *	7/2019	Gentz	A61M 5/20
2019/0366009	A1 *	12/2019	Hewson	A61M 5/31541

* cited by examiner

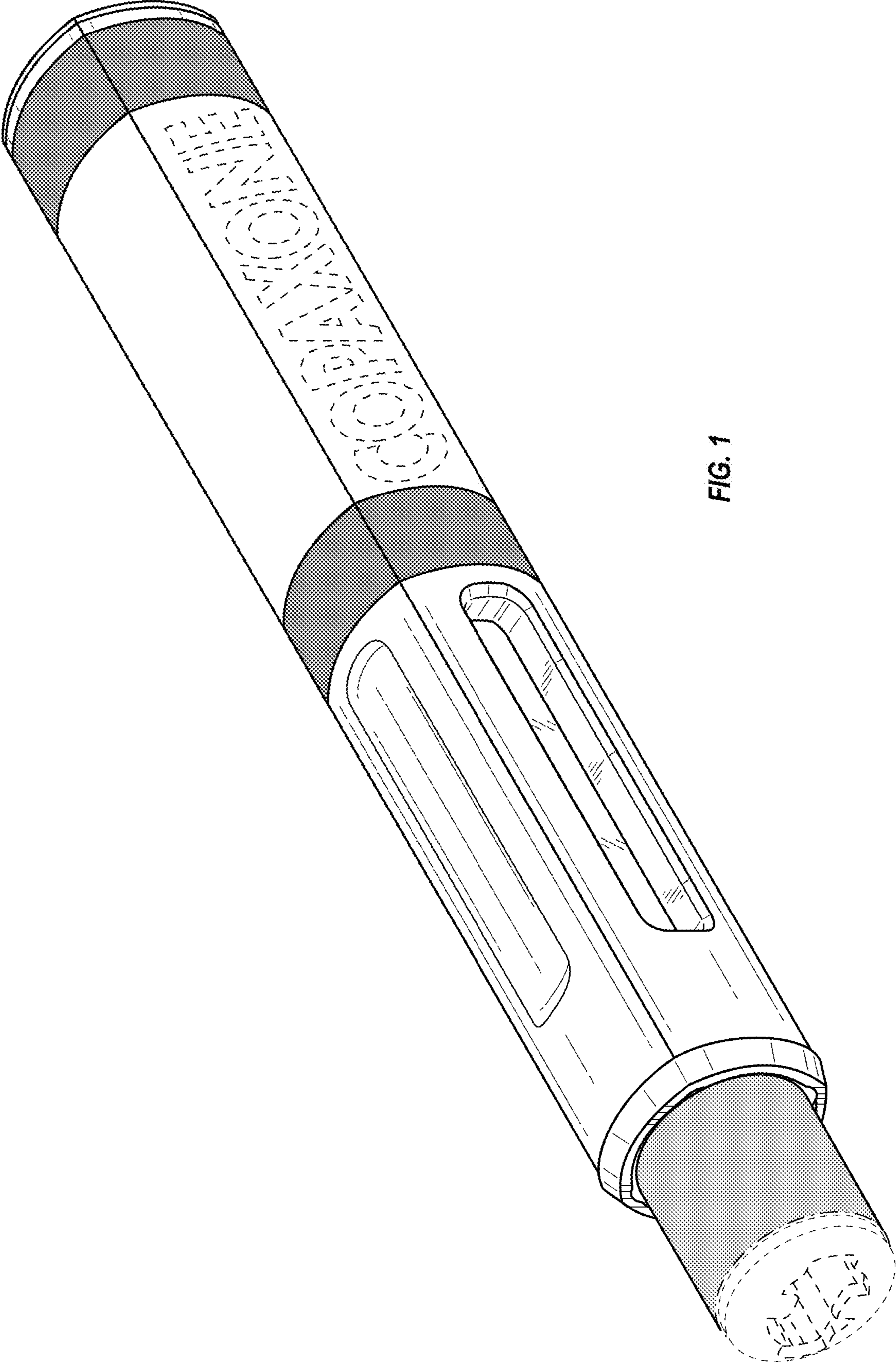


FIG. 1

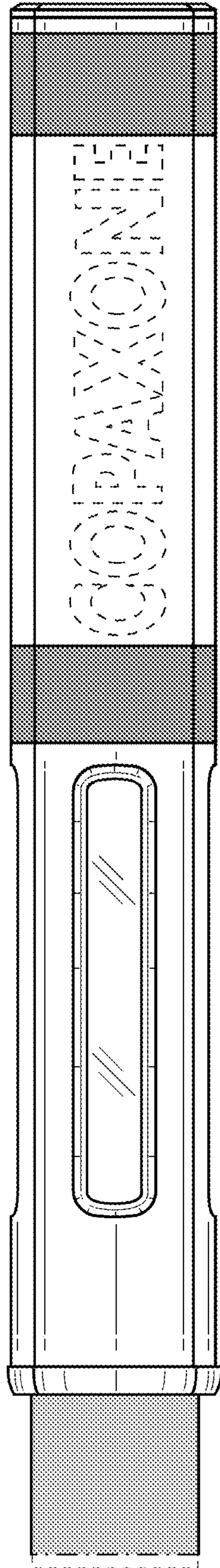


FIG. 2

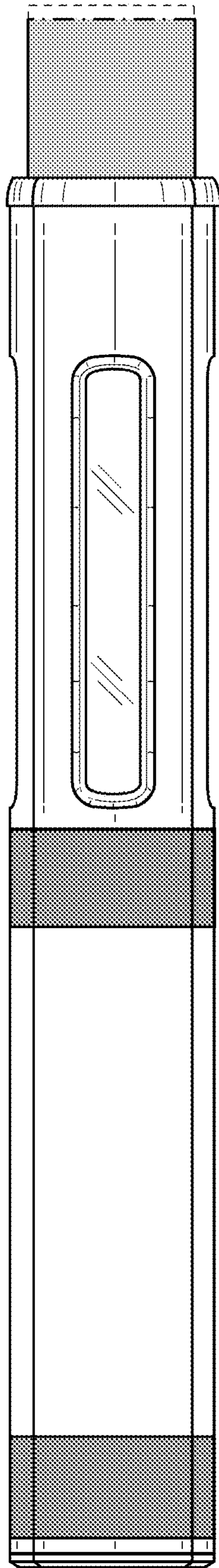


FIG. 3

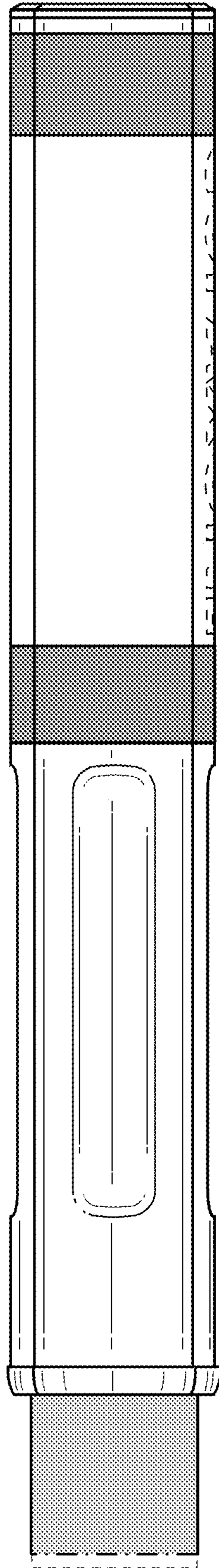


FIG. 4

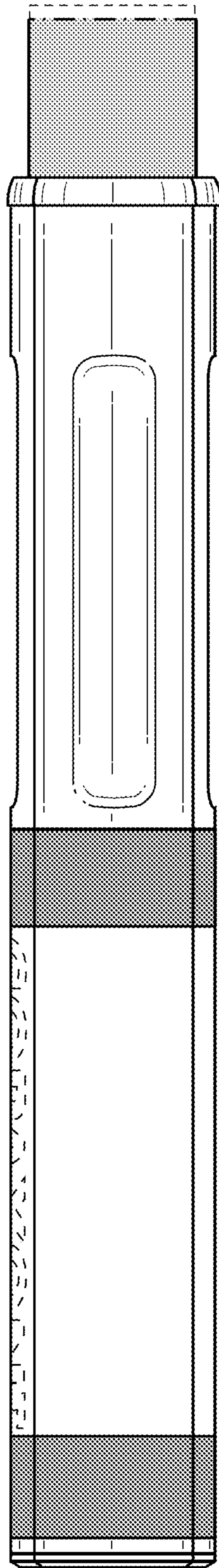


FIG. 5

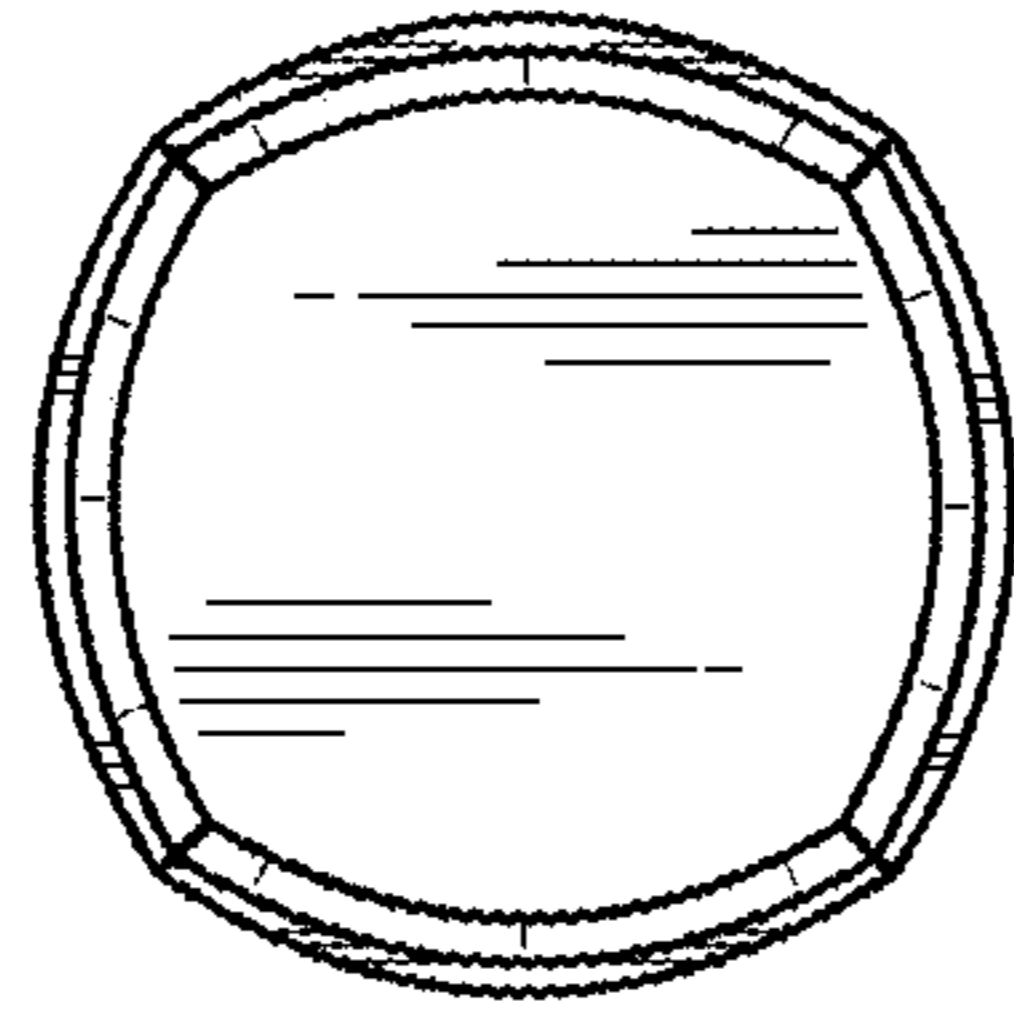


FIG. 7

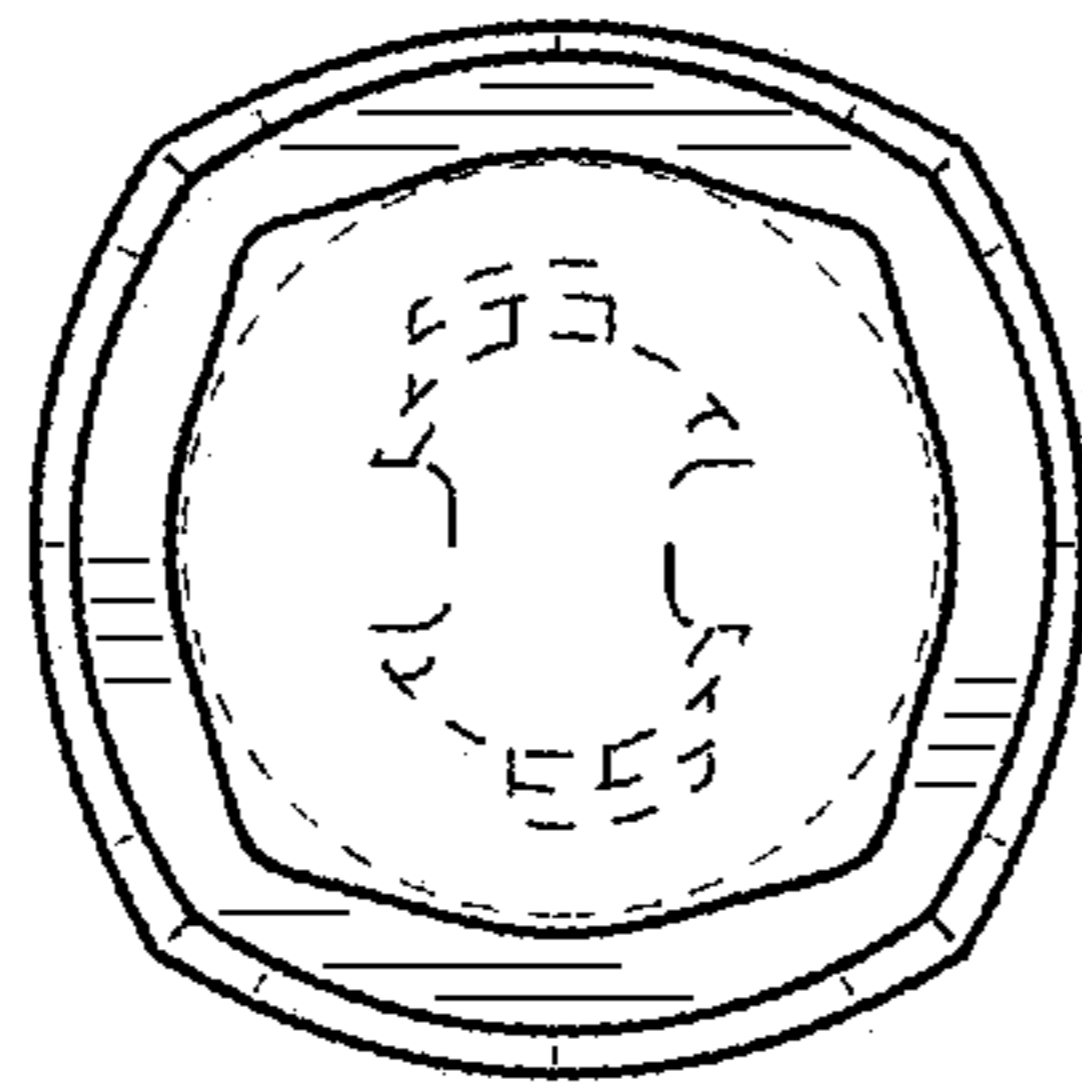


FIG. 6