

US00D936823S

(12) **United States Design Patent** (10) **Patent No.:** **US D936,823 S**  
**Zhang** (45) **Date of Patent:** **\*\* Nov. 23, 2021**

(54) **COMBINED BREAST MILK COLLECTOR AND PUMP**

D565,174 S \* 3/2008 Pukall ..... D24/109  
D573,249 S \* 7/2008 Solberg ..... D24/109  
D576,268 S \* 9/2008 Solberg ..... D24/109

(Continued)

(71) Applicant: **ZhongShan Shumax International Trade Co. Ltd., ZhongShan (CN)**

FOREIGN PATENT DOCUMENTS

(72) Inventor: **Shu Ting Zhang, Jingshan (CN)**

CA 169899 3/2017  
EM 000706197-0001 6/2007

(73) Assignee: **ZhongShan Shumax International Trade Co., Ltd., ZhongShan (CN)**

(Continued)

(\*\*) Term: **15 Years**

OTHER PUBLICATIONS

(21) Appl. No.: **29/709,799**

Haakaa Ladybuyg Silicone Milk Collector, posted at amazon.com, earliest date reviewed on Aug. 13, 2020, [online], acquired on Aug. 12, 2021. Available from Internet, [https://www.amazon.com/Haakaa-Ladybuyg-Silicone-Milk-Collector/dp/B086SNW9J2/ref=cm\\_cr\\_arp\\_d\\_product\\_top?ie=UTF8](https://www.amazon.com/Haakaa-Ladybuyg-Silicone-Milk-Collector/dp/B086SNW9J2/ref=cm_cr_arp_d_product_top?ie=UTF8) (Year: 2020).\*

(22) Filed: **Oct. 17, 2019**

(30) **Foreign Application Priority Data**

Aug. 1, 2019 (CN) ..... 201930415848.4

(51) **LOC (13) Cl.** ..... **24-02**

(52) **U.S. Cl.**  
USPC ..... **D24/109**

(58) **Field of Classification Search**  
USPC ..... D24/107-109, 111, 113, 127, 185, 193, D24/197; D9/500, 549; D7/700; D14/203.2-203.7; D13/168  
CPC ..... A61M 1/00; A61M 1/06; A61M 1/062; A61M 1/064; A61M 1/80; A61M 1/82; A61M 1/0001; A61M 2205/502; A61M 2205/8206; A61M 2205/07; A61M 2205/505; A61M 2205/071; A61M 2205/075; A61M 2205/123; A61J 9/00; A61J 13/00; A61J 2200/50; A61J 2200/76  
See application file for complete search history.

*Primary Examiner* — Sheryl Lane

*Assistant Examiner* — Aula Soroush

(74) *Attorney, Agent, or Firm* — Michael Best & Friedrich LLP

(57) **CLAIM**

The ornamental design for a combined breast milk collector and pump, as shown and described.

**DESCRIPTION**

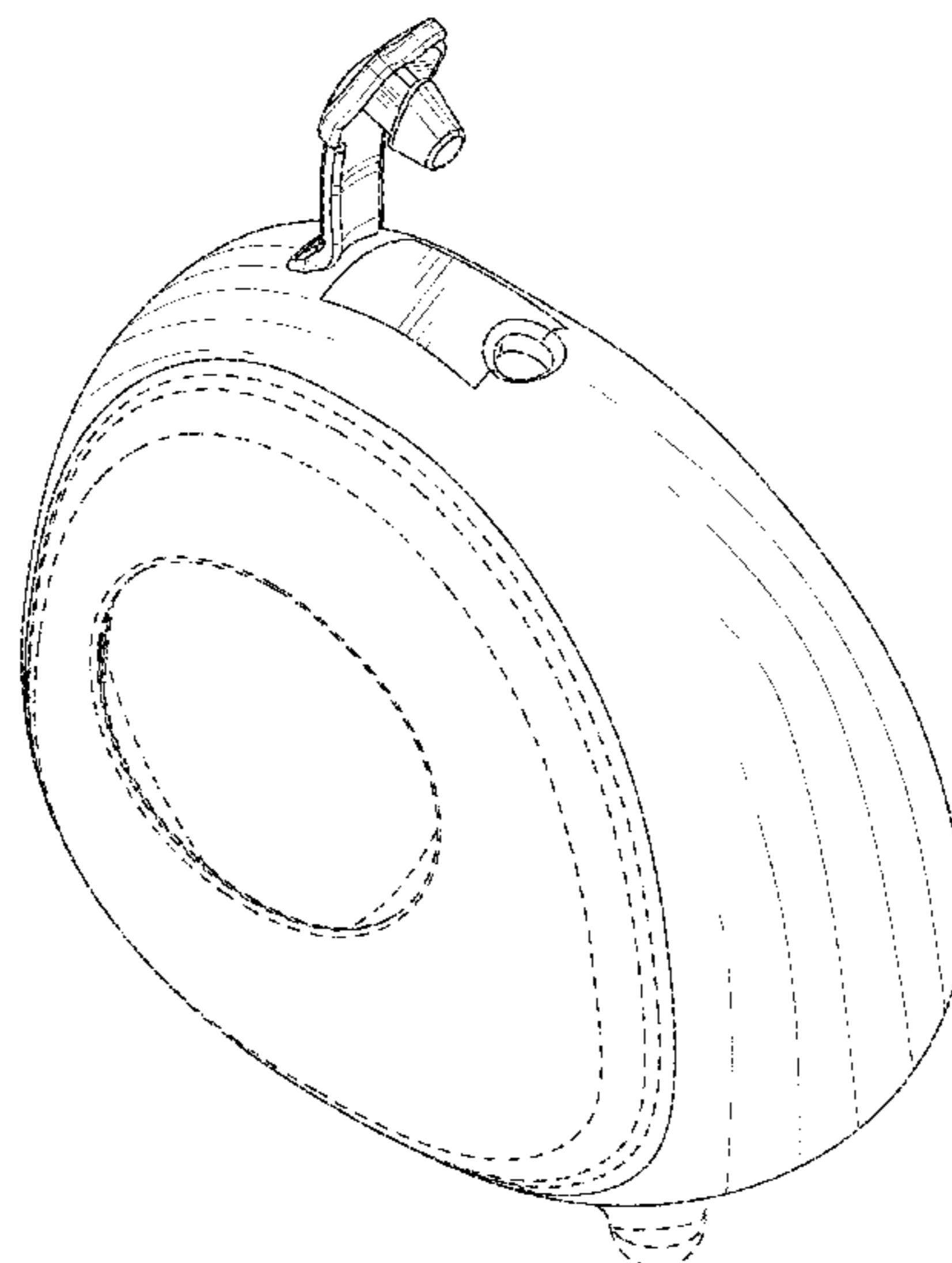
FIG. 1 is a front view of the design for a combined breast milk collector and pump;  
FIG. 2 is a rear view thereof;  
FIG. 3 is a left view thereof;  
FIG. 4 is a right view thereof;  
FIG. 5 is a top view thereof;  
FIG. 6 is a bottom view thereof;  
FIG. 7 is a perspective view thereof; and,  
FIG. 8 is another perspective view thereof.  
The broken lines shown in the figures depict portions of the combined breast milk collector and pump that form no part of the claimed design.

(56) **References Cited**

U.S. PATENT DOCUMENTS

D246,729 S 12/1977 Murphy  
D484,970 S \* 1/2004 Renz ..... D24/109  
D540,939 S \* 4/2007 Pukall ..... D24/109

**1 Claim, 8 Drawing Sheets**



(56)

**References Cited**

U.S. PATENT DOCUMENTS

D576,269 S \* 9/2008 Solberg ..... D24/109  
D667,381 S \* 9/2012 Rolli ..... D13/168  
D683,843 S \* 6/2013 Cudworth ..... D24/109  
D695,885 S \* 12/2013 Thomas ..... D24/109  
D744,086 S \* 11/2015 Yamashita ..... D24/109  
D788,293 S \* 5/2017 Eckstein ..... D24/111  
D809,646 S \* 2/2018 Mason ..... D24/109  
D832,995 S \* 11/2018 Mason ..... D24/109  
D888,225 S \* 6/2020 Askem ..... D24/108  
D909,416 S \* 2/2021 Scarleski ..... D15/7  
2004/0127845 A1 \* 7/2004 Renz ..... A61M 1/066  
604/74

FOREIGN PATENT DOCUMENTS

EM 005245818-0001 12/2019  
EM 005292703-0001 8/2020

\* cited by examiner

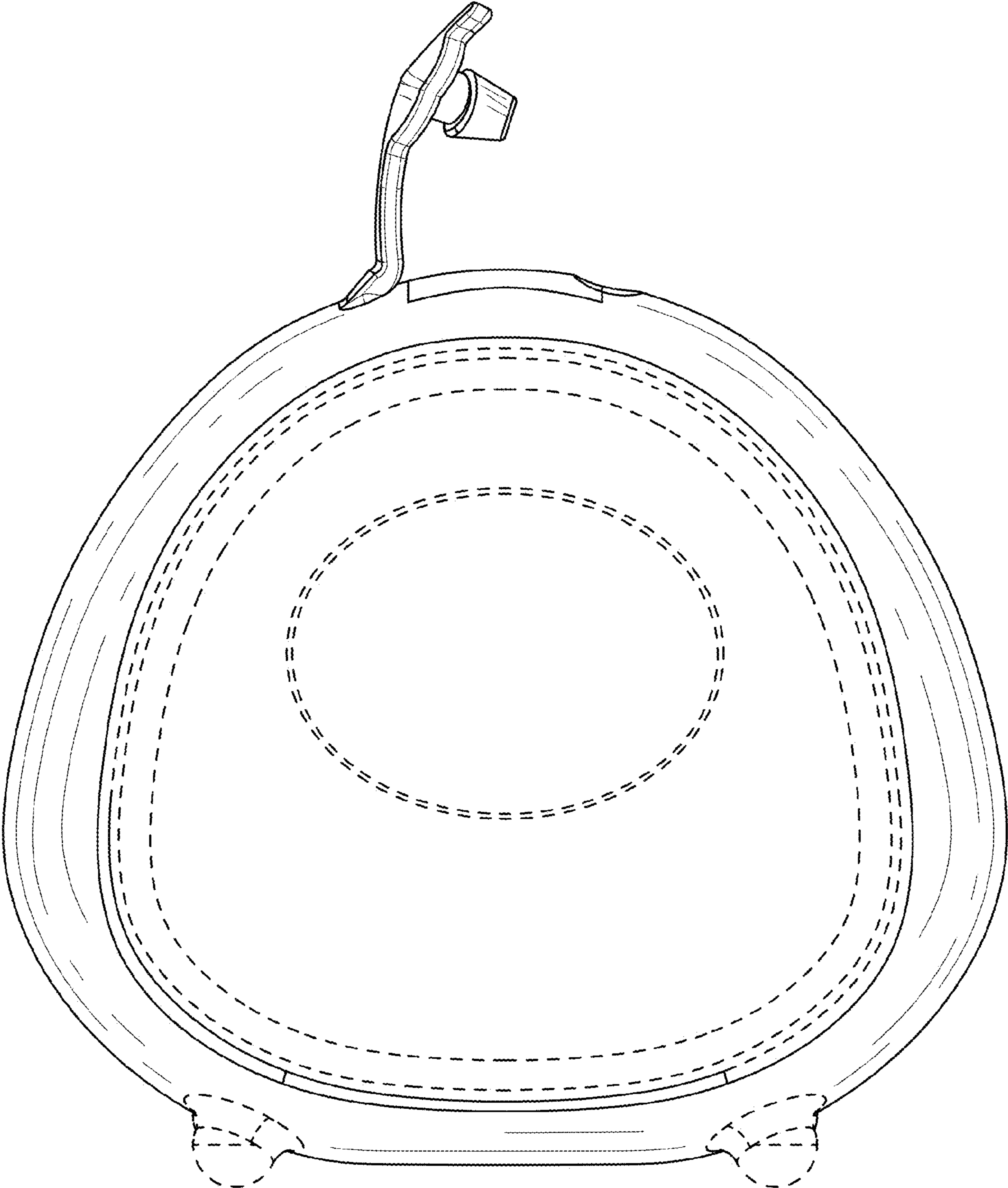


FIG. 1

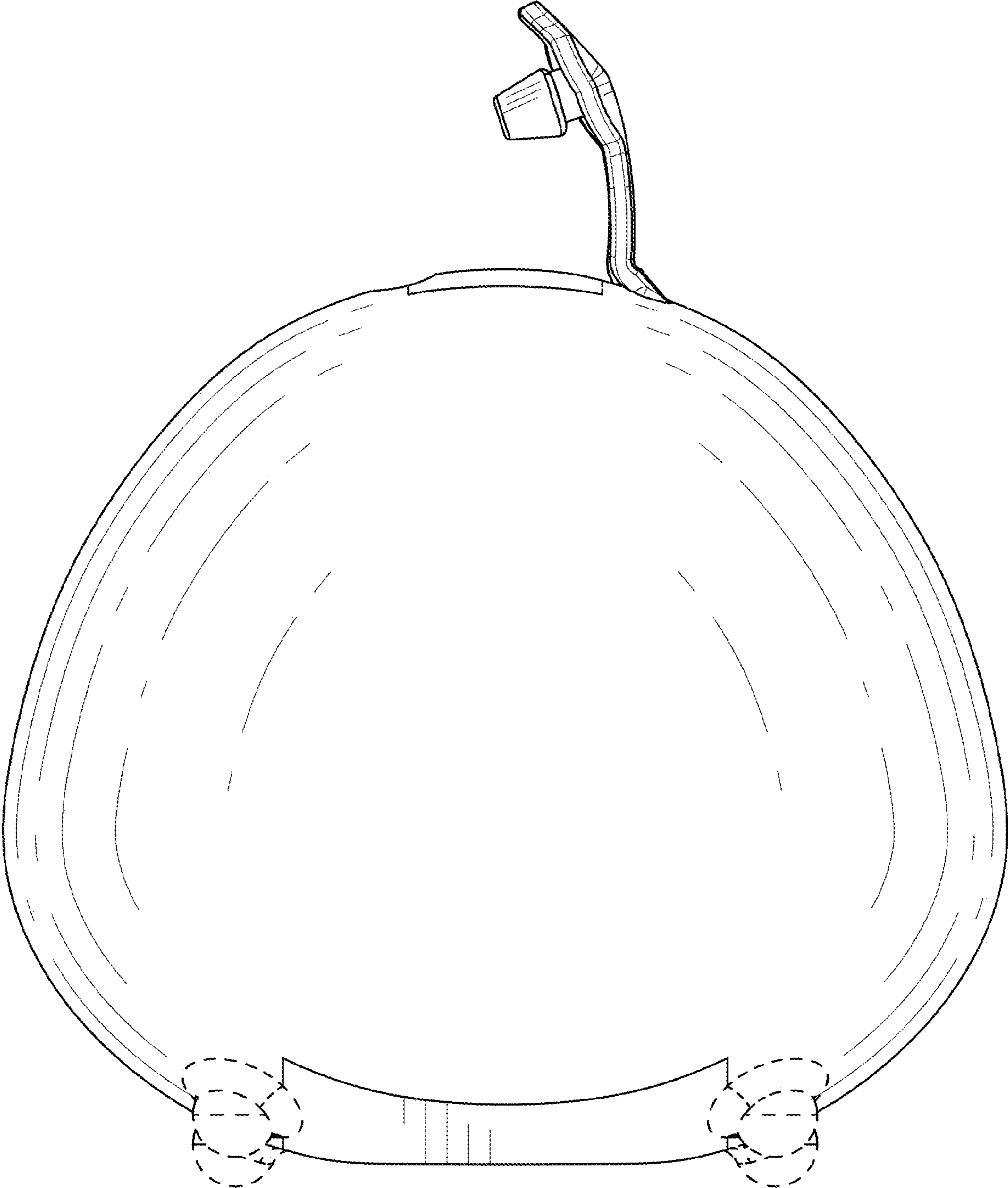


FIG. 2

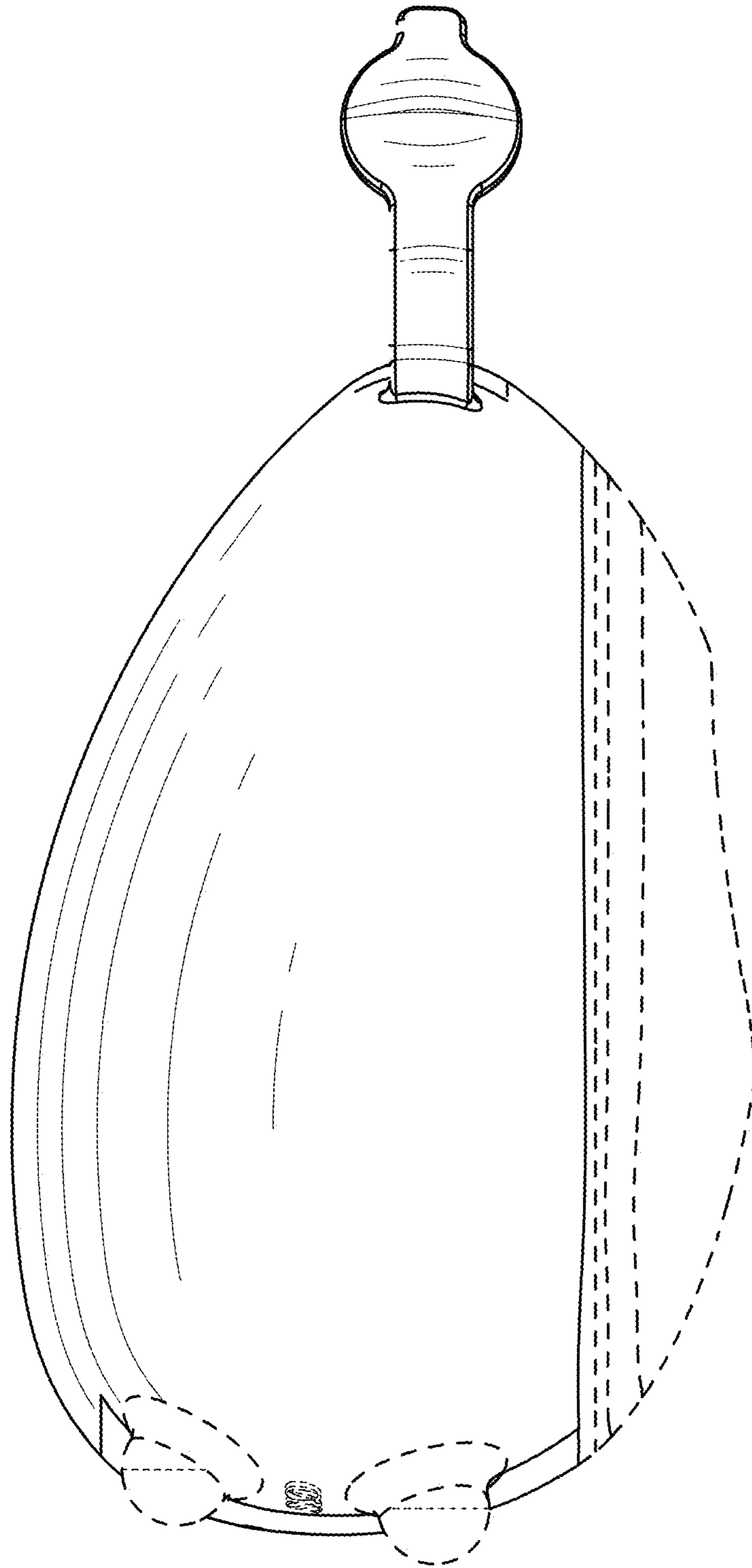


FIG.3

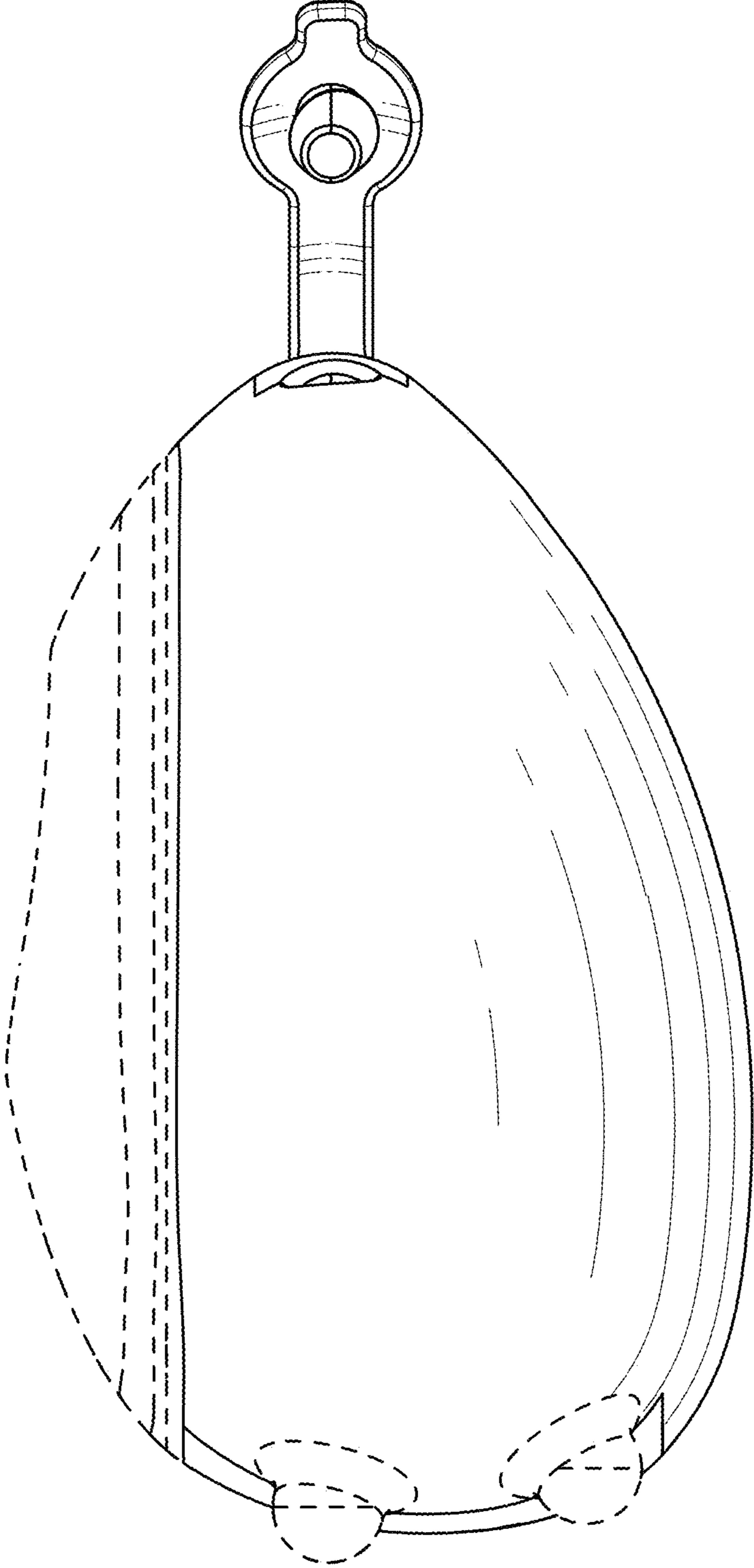


FIG.4

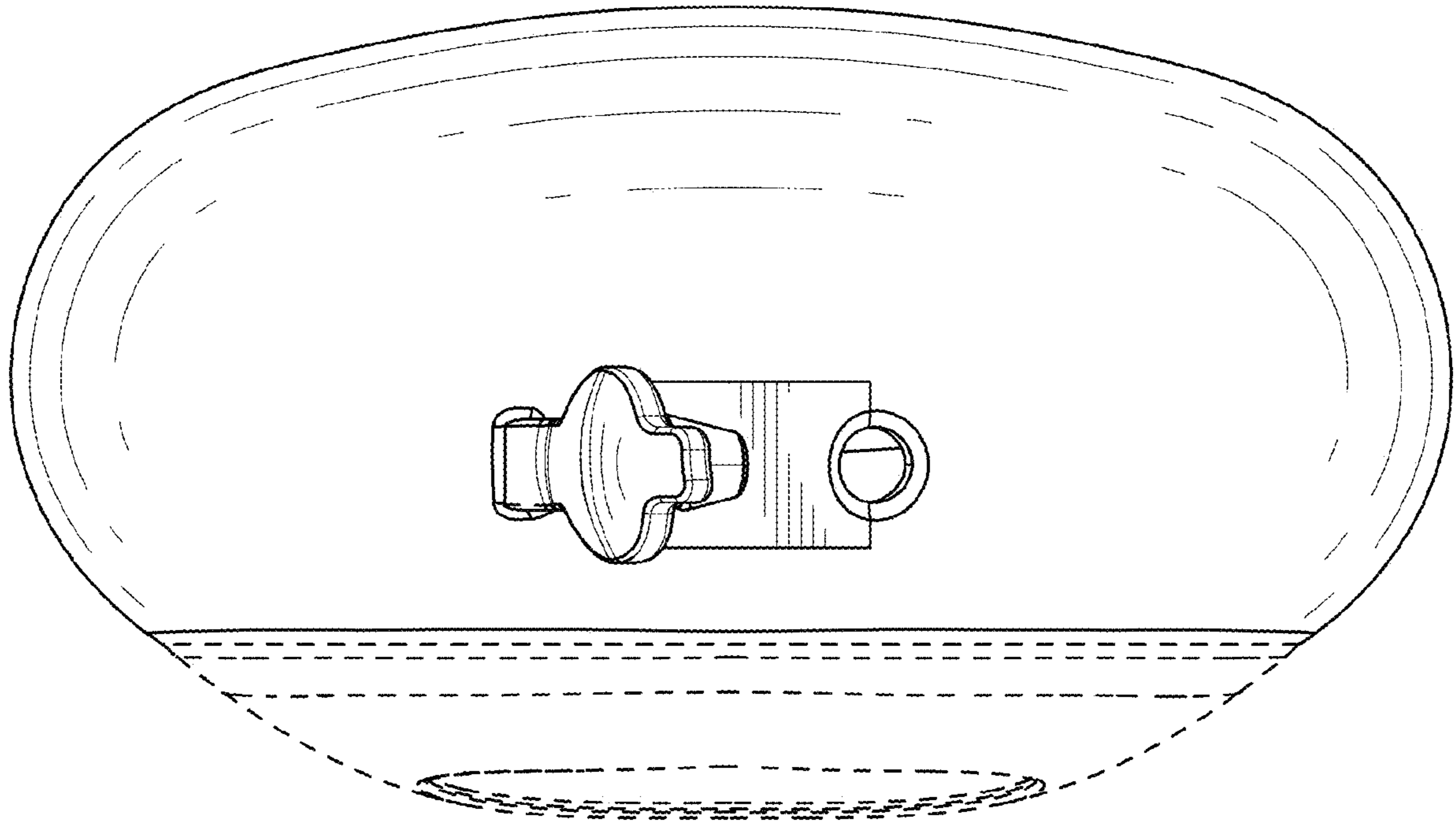


FIG.5

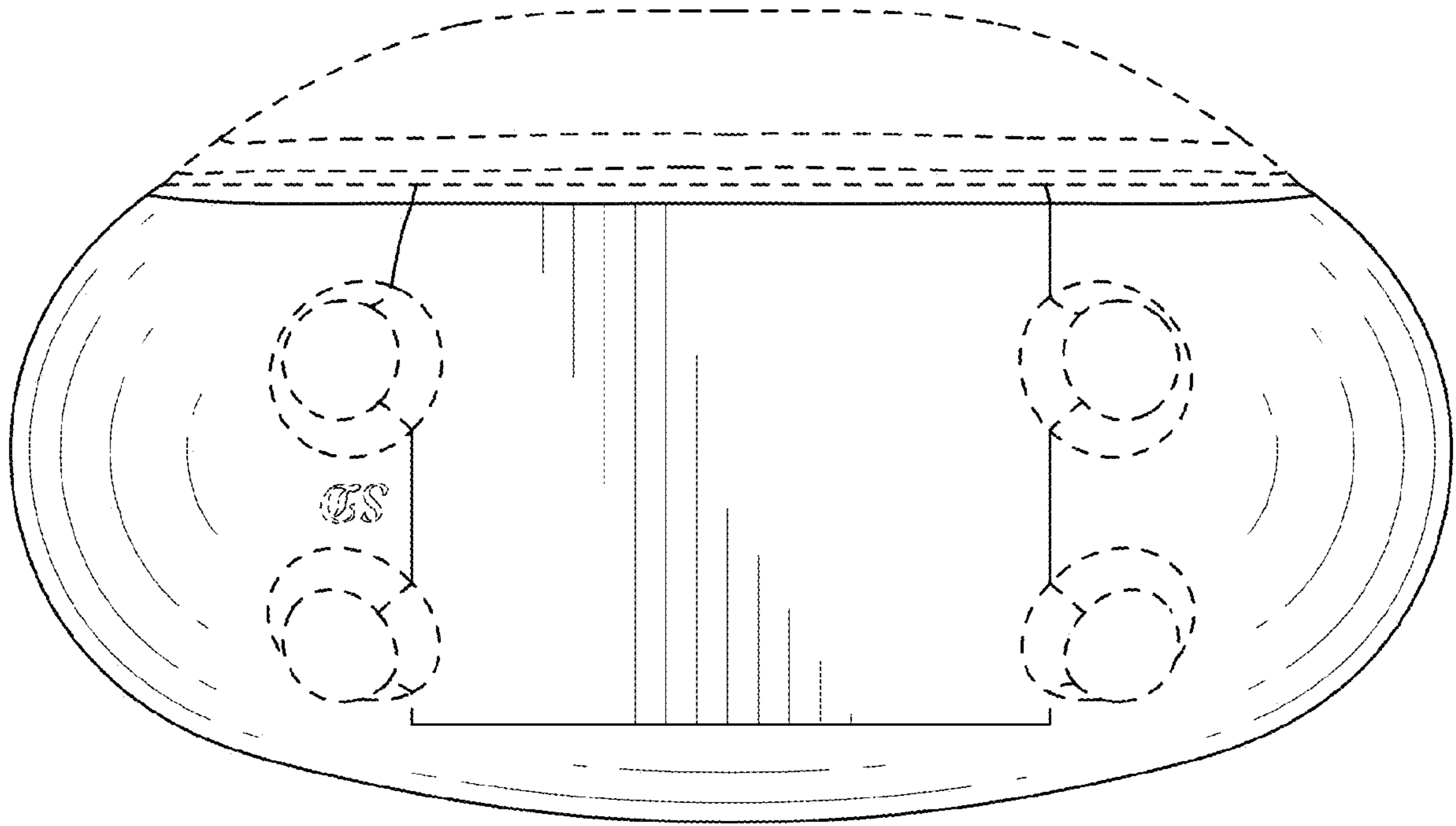


FIG.6



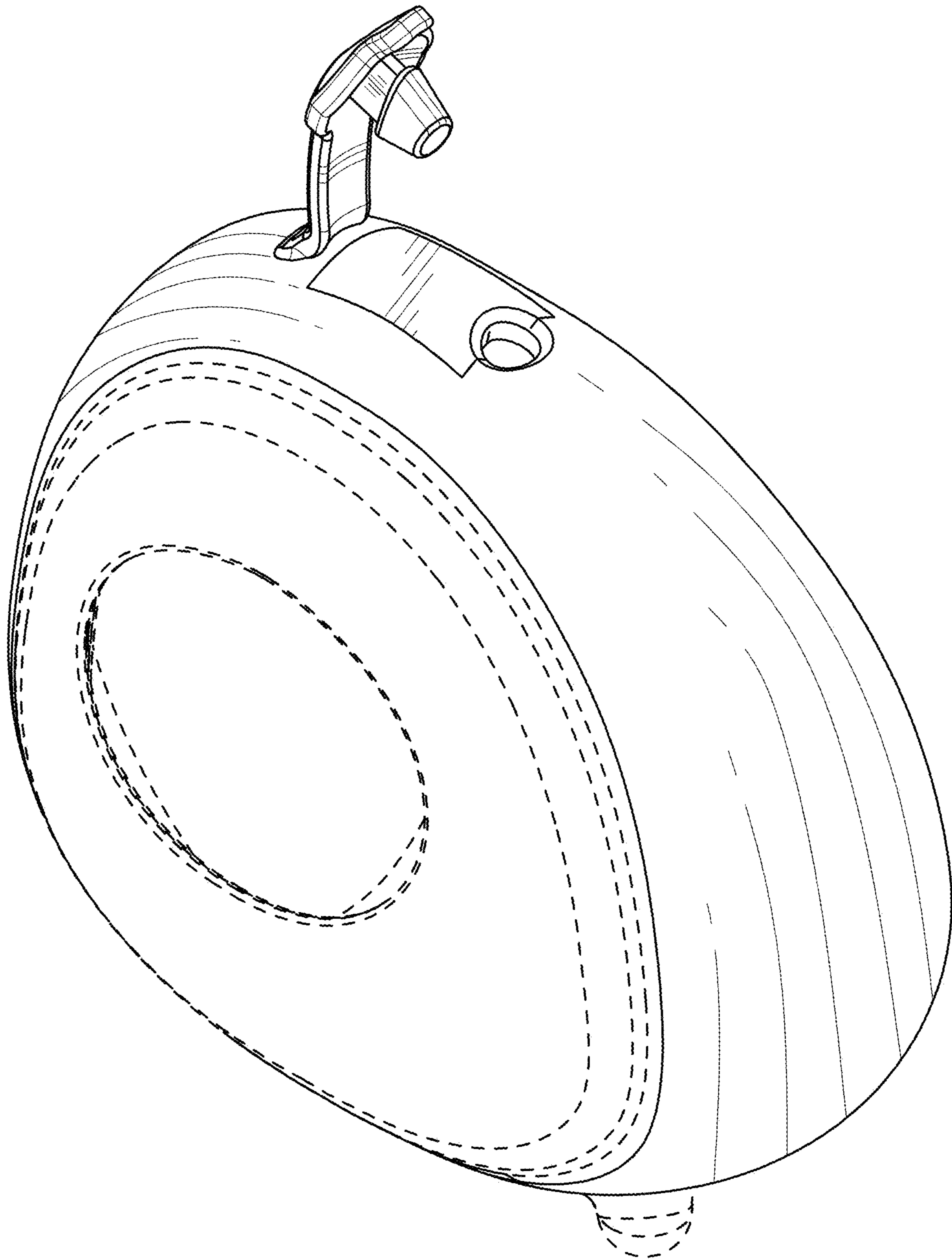


FIG.7

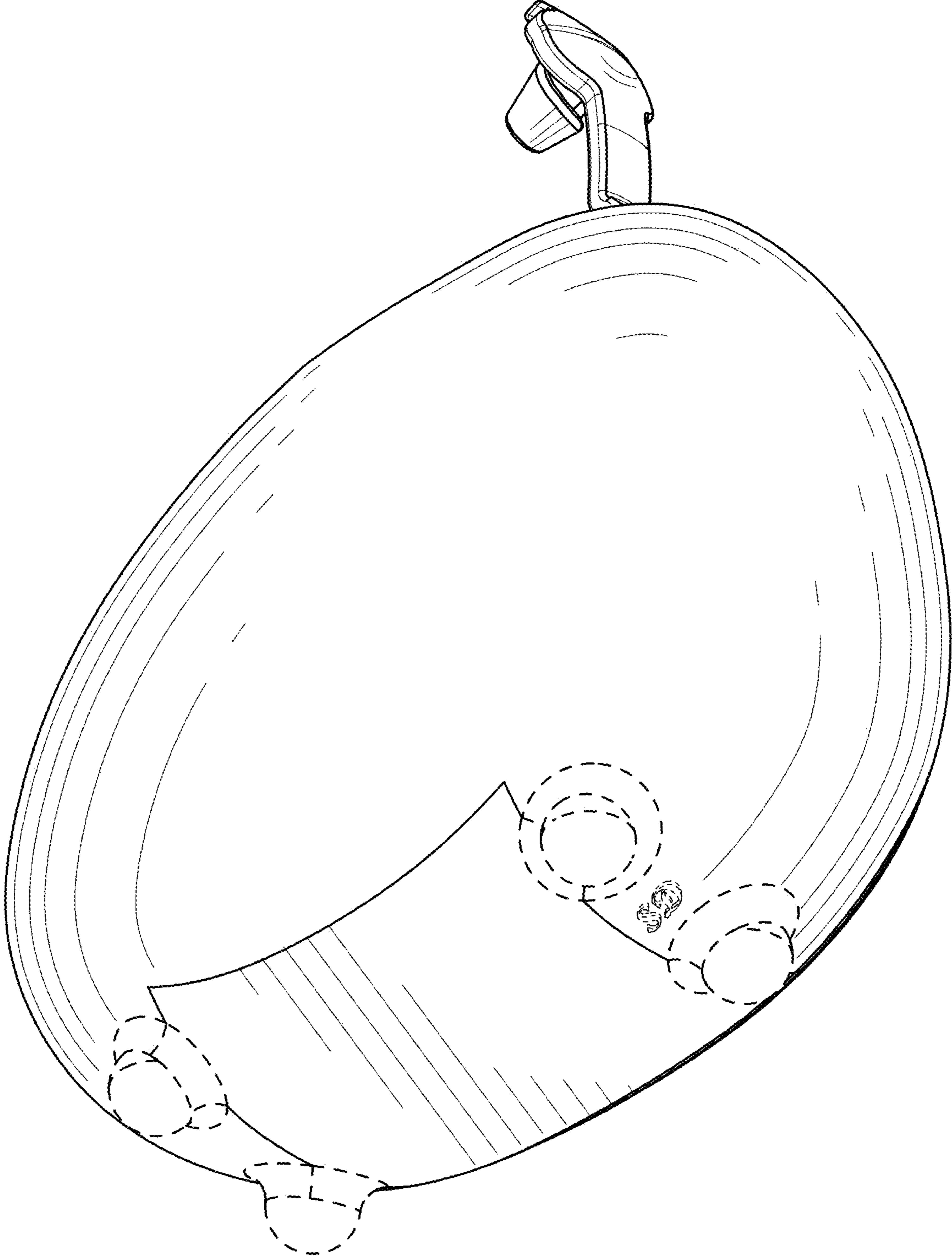


FIG.8