



US00D936822S

(12) **United States Design Patent**
Lee et al.

(10) **Patent No.:** **US D936,822 S**
(45) **Date of Patent:** **** Nov. 23, 2021**

- (54) **FAN BLADE**
- (71) Applicants: **Pei-Chuan Lee**, New Taipei (TW);
Yi-Chih Lin, New Taipei (TW);
Chu-Hsien Chou, New Taipei (TW)
- (72) Inventors: **Pei-Chuan Lee**, New Taipei (TW);
Yi-Chih Lin, New Taipei (TW);
Chu-Hsien Chou, New Taipei (TW)
- (73) Assignee: **ASIA VITAL COMPONENTS CO., LTD.**, New Taipei (TW)
- (**) Term: **15 Years**

D585,130	S *	1/2009	Harman	D23/413
D626,643	S *	11/2010	Situ	D23/379
D645,134	S *	9/2011	Lee	D23/411
8,382,437	B2 *	2/2013	Tao	F04D 29/329
					416/212 R
D704,323	S *	5/2014	Rasmussen	D23/379
D725,257	S *	3/2015	Huang	D23/379
D755,363	S *	5/2016	Rasmussen	D23/379
9,416,794	B2 *	8/2016	Liu	F04D 19/02
9,429,163	B2 *	8/2016	Liu	F04D 29/668
9,651,051	B2 *	5/2017	Chang	F04D 29/601
9,664,203	B2 *	5/2017	Liu	F04D 29/601
9,890,795	B2 *	2/2018	Chang	F04D 19/007
D828,541	S *	9/2018	Wang	D23/413
10,267,339	B2 *	4/2019	Sun	F04D 29/541
D854,143	S *	7/2019	Yu	D23/413

(Continued)

- (21) Appl. No.: **29/713,328**
- (22) Filed: **Nov. 15, 2019**
- (51) **LOC (13) Cl.** **23-03**
- (52) **U.S. Cl.**
USPC **D23/413**; D23/379; D23/380
- (58) **Field of Classification Search**
USPC D23/328, 332, 333, 370-383, 385,
D23/335-337, 341, 351, 352, 354,
D23/411-414, 362, 364
CPC .. F04D 25/084; F04D 25/086; F04D 25/0673;
F04D 29/646; F04D 29/324; F04D 29/38
See application file for complete search history.

Primary Examiner — Sharon S Oum

(74) *Attorney, Agent, or Firm* — Demian K. Jackson;
Jackson IPG, PLLC

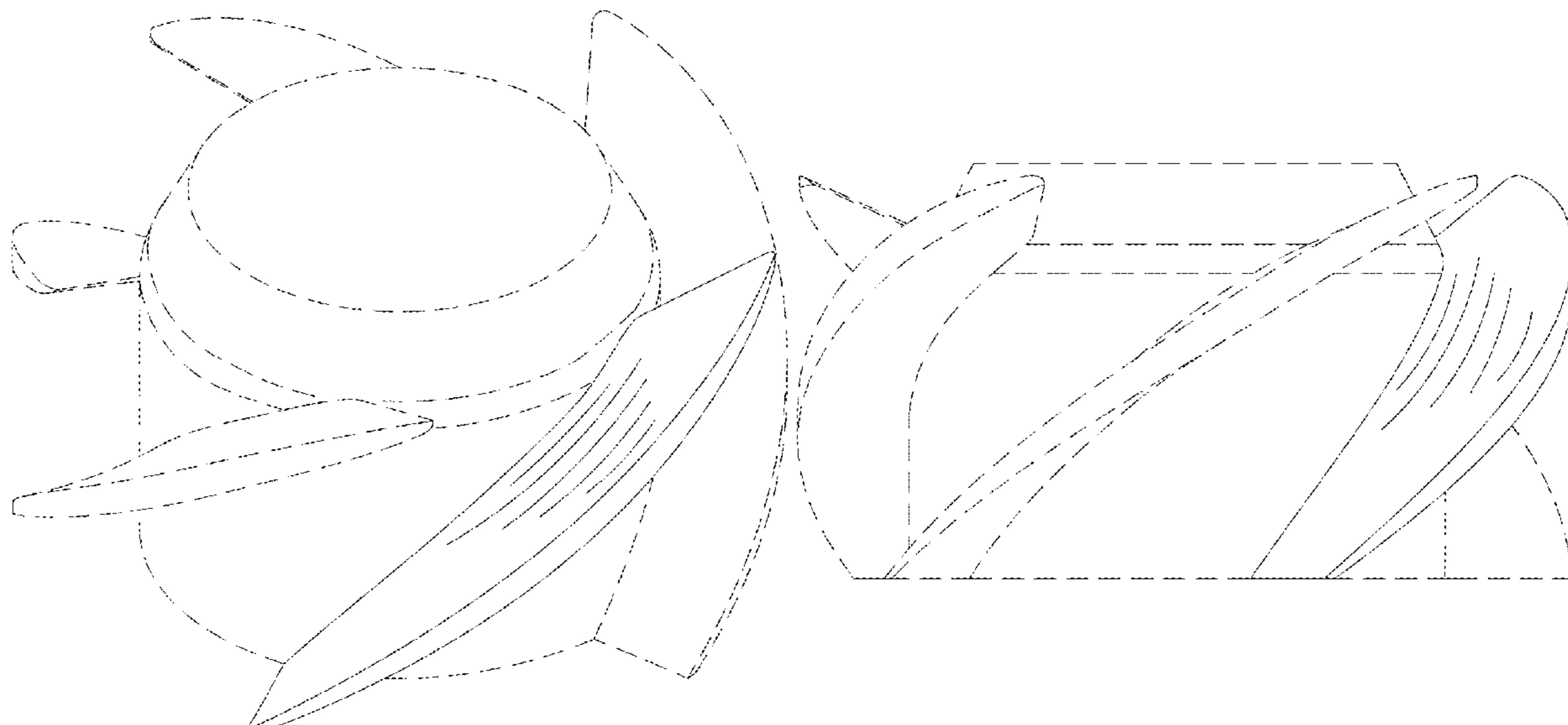
(57) **CLAIM**

The ornamental design for a fan blade, as shown and described.

DESCRIPTION

FIG. 1 is a perspective view of a fan blade showing our design;
 FIG. 2 is a front view thereof;
 FIG. 3 is a rear view thereof;
 FIG. 4 is a left view thereof;
 FIG. 5 is a right view thereof;
 FIG. 6 is a top plan view thereof;
 FIG. 7 is a bottom plan view thereof; and,
 FIG. 8 is a perspective view thereof wherein the fan blade is positioned in the casing.
 The broken lines depict portions of the fan blade and environmental structure. None of the broken lines form part of the claimed design.

1 Claim, 8 Drawing Sheets



(56)

References Cited

U.S. PATENT DOCUMENTS

10,415,570 B2 * 9/2019 Chang F04D 19/007
10,422,347 B2 * 9/2019 Sun F04D 25/0613
10,428,830 B2 * 10/2019 Lee F04D 29/384
10,563,659 B2 * 2/2020 Liu F04D 19/007
10,655,639 B2 * 5/2020 Chang F04D 29/662
D910,834 S * 2/2021 Wang D23/413
2010/0020493 A1 * 1/2010 Lee H05K 7/20172
361/695
2011/0091315 A1 * 4/2011 Chang F04D 25/0613
415/182.1
2015/0204342 A1 * 7/2015 Liang F04D 29/32
416/223 R
2019/0264708 A1 * 8/2019 Chang F04D 25/0613
2020/0373804 A1 * 11/2020 Chou F04D 29/023
2020/0400156 A1 * 12/2020 Sun F04D 29/046

* cited by examiner

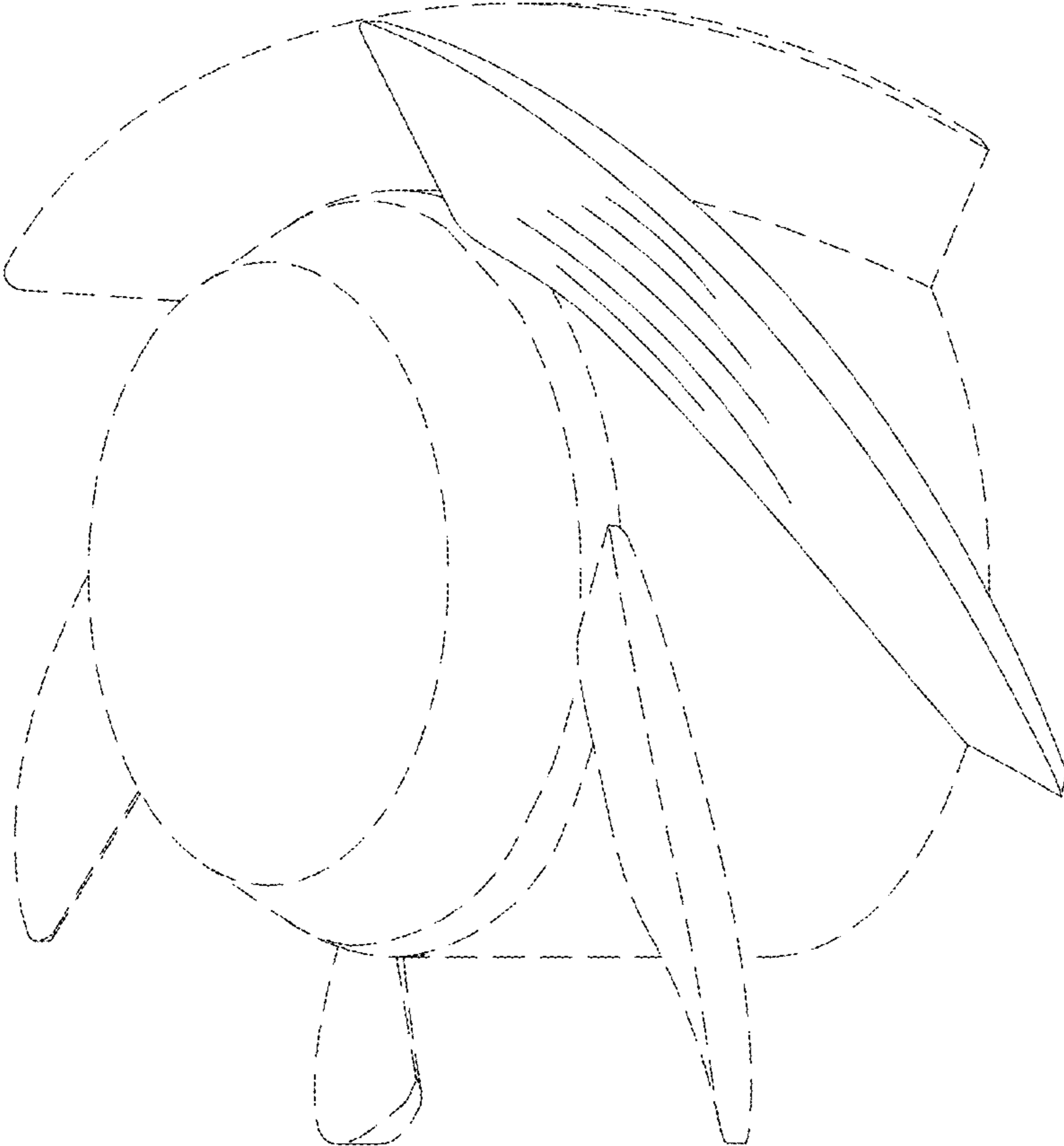


Fig. 1

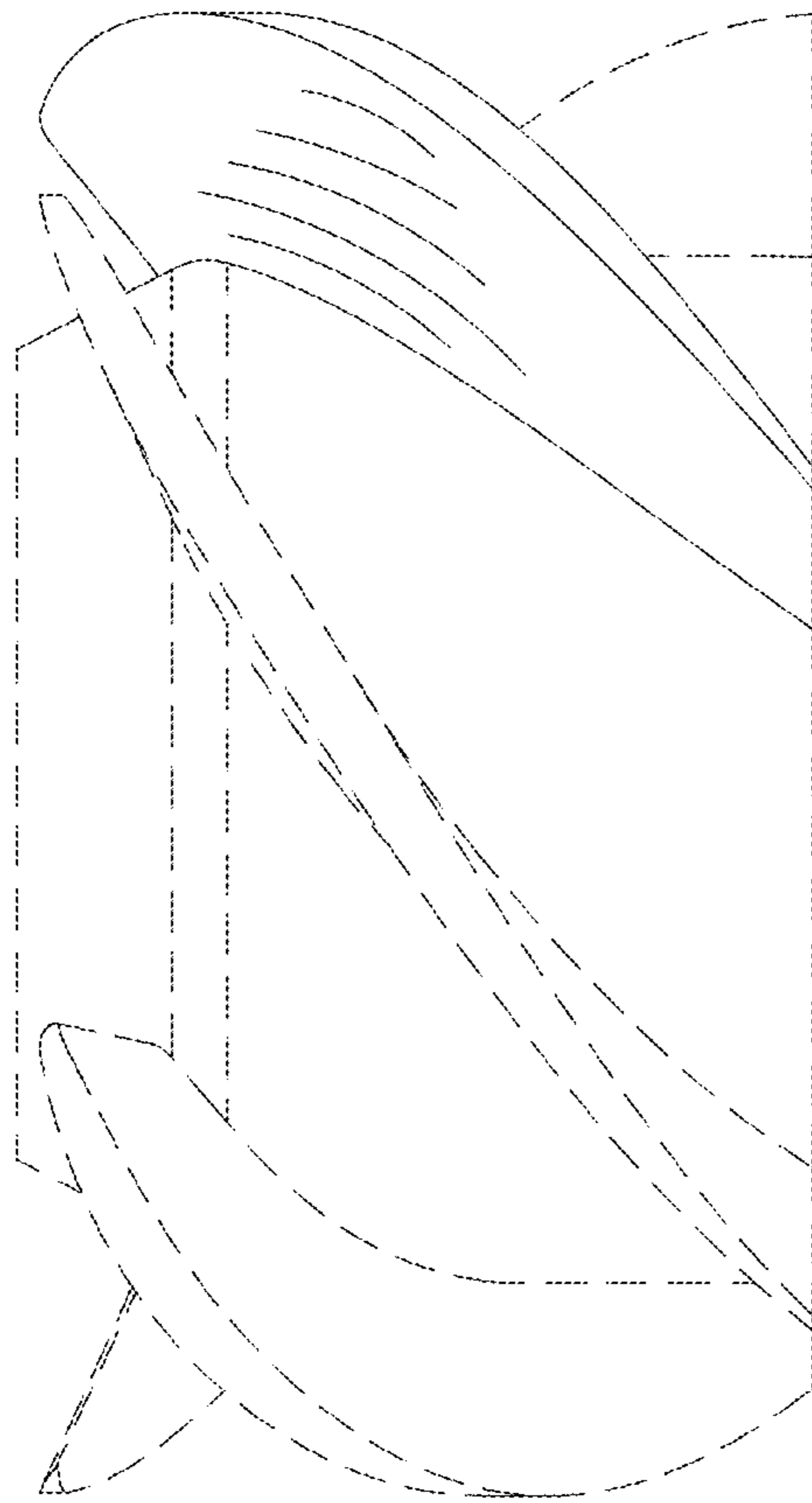


Fig. 2

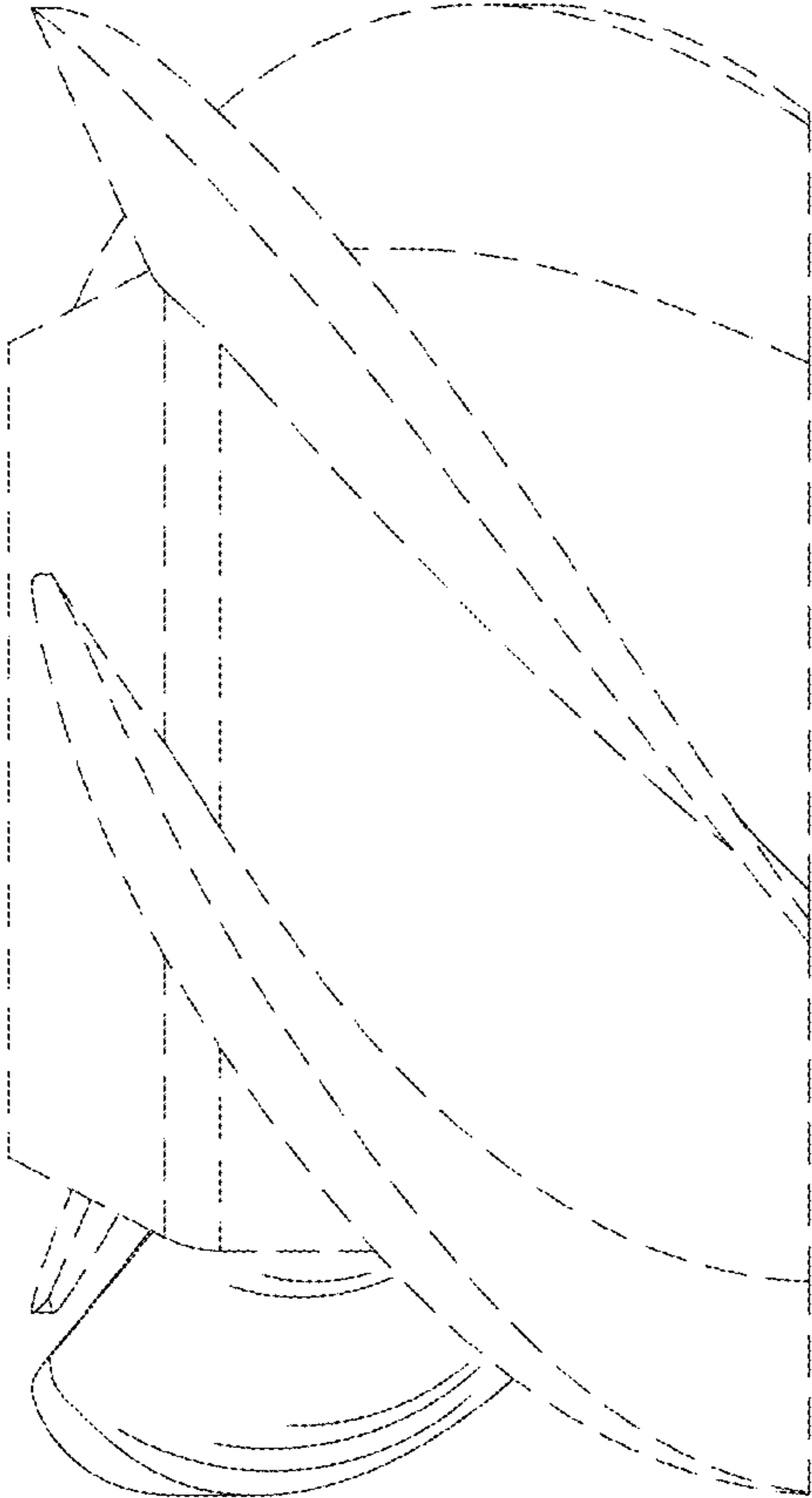


Fig. 3

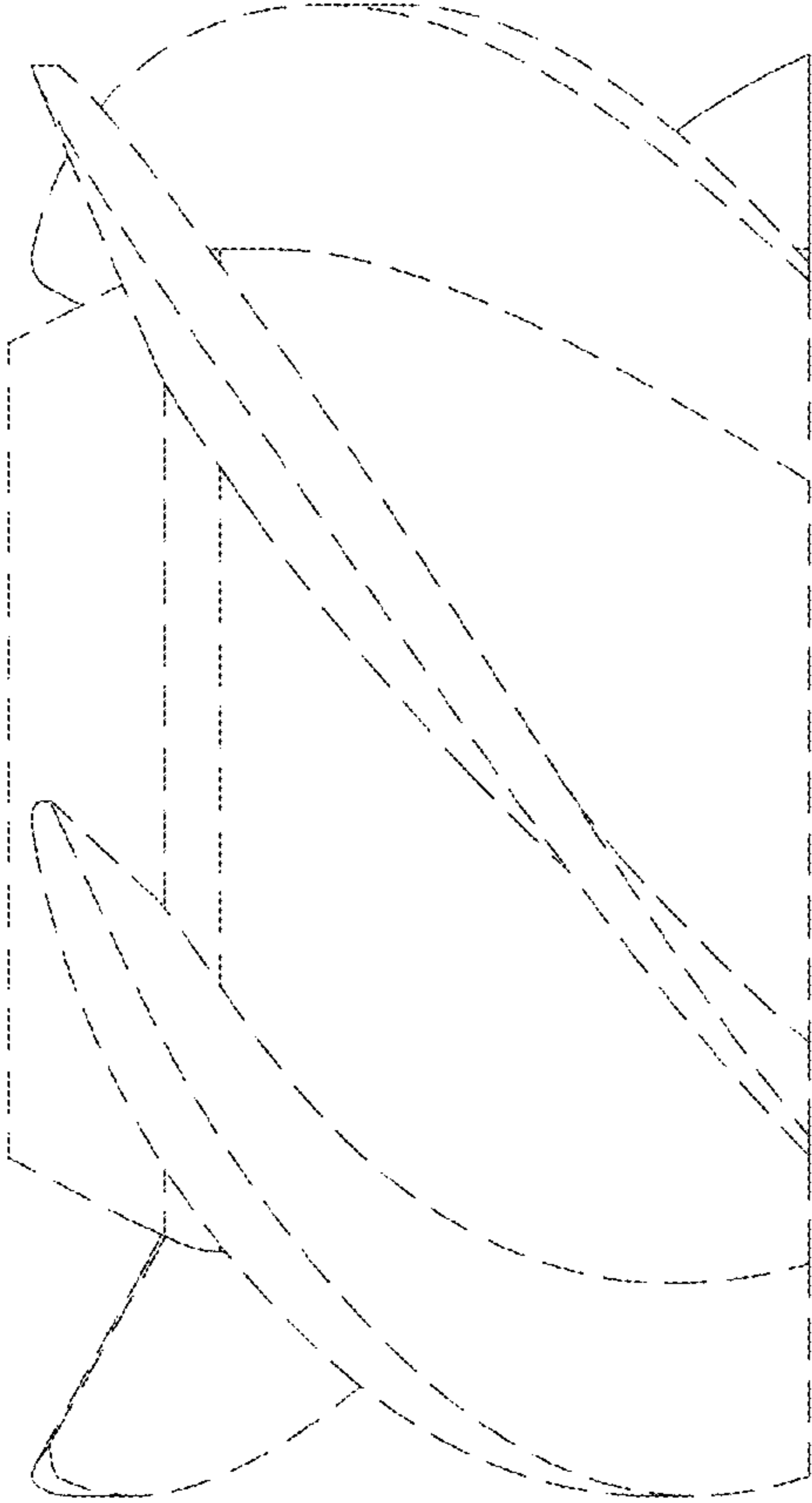


Fig. 4

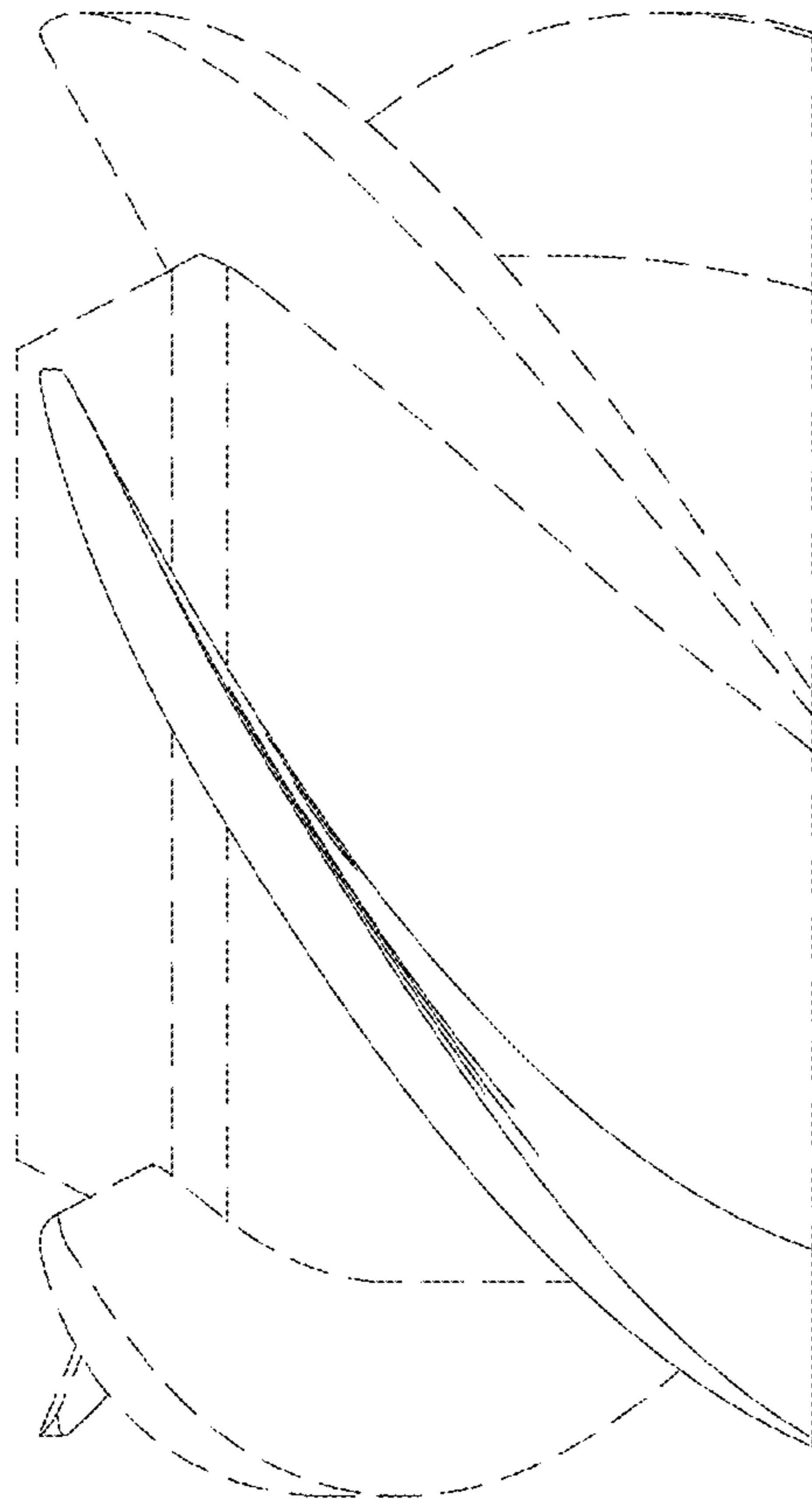


Fig. 5

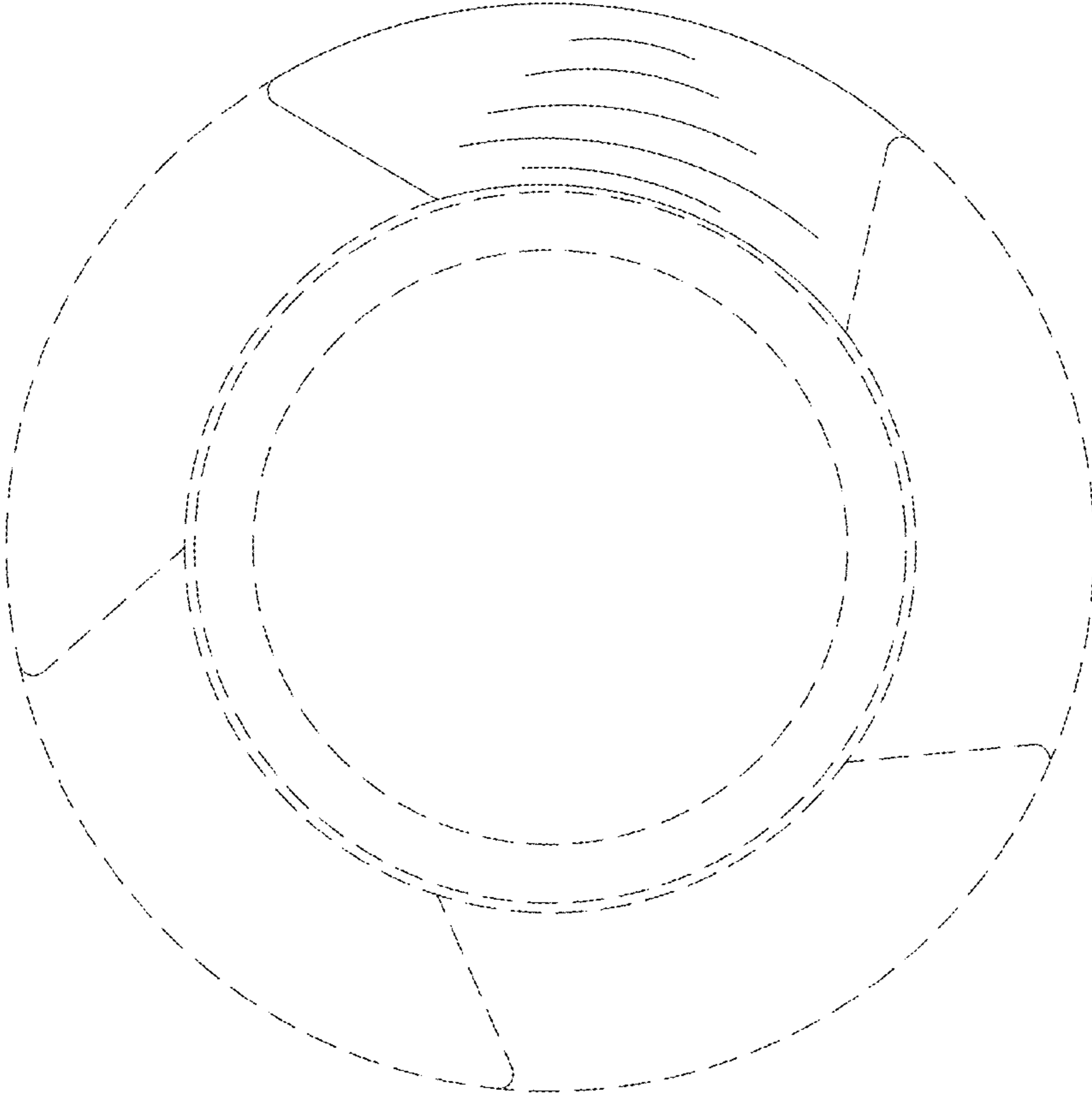


Fig. 6

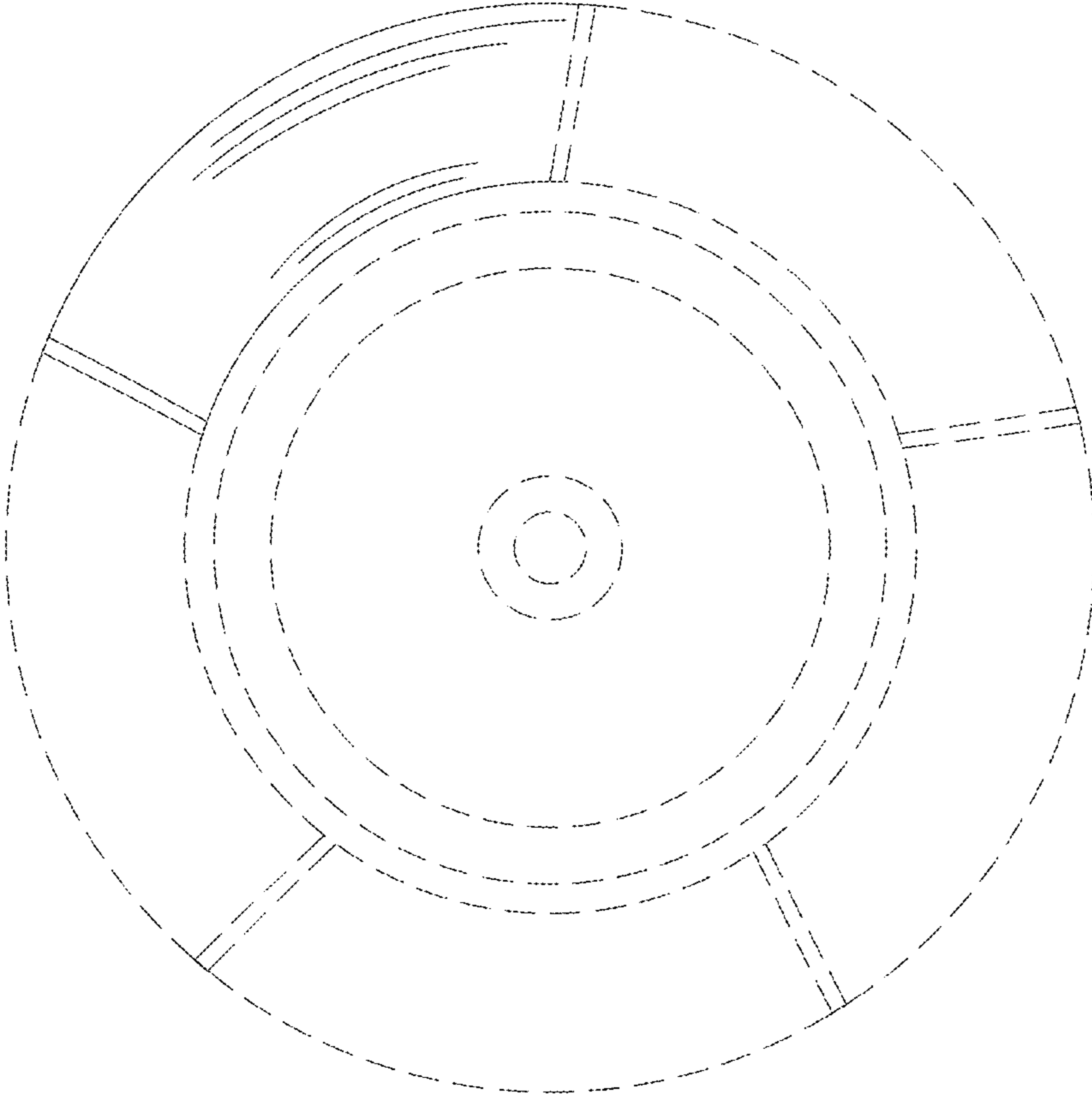


Fig. 7

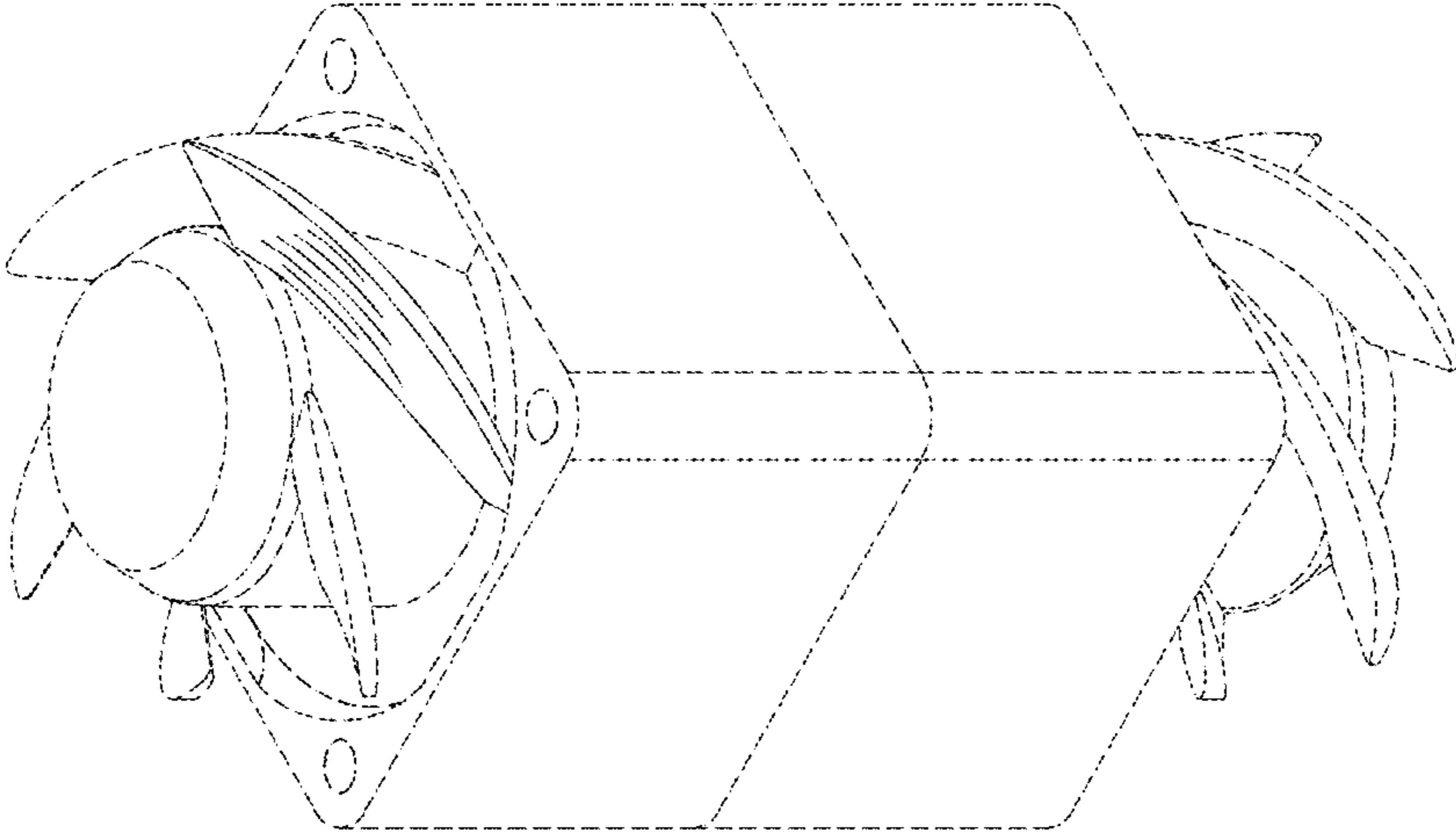


Fig. 8