

US00D936821S

(12) **United States Design Patent** (10) **Patent No.:** **US D936,821 S**
Rajput et al. (45) **Date of Patent:** **** Nov. 23, 2021**

(54) **SUCTION HOOD**
(71) Applicant: **ATLAS COPCO AIRPOWER, NAAMLOZE VENNOOTSCHAP, Wilrijk (BE)**
(72) Inventors: **Prashant K. Rajput, Maharashtra (IN); Vishal Krishnarao Patil, Maharashtra (IN); Vijay Sohanlal Sharma, Maharashtra (IN); Srinivasan Arjune, Tamil Nadu (IN)**
(73) Assignee: **ATLAS COPCO AIRPOWER, NAAMLOZE VENNOOTSCHAP, Wilrijk (BE)**

D738,481 S * 9/2015 Markič D23/383
D808,000 S * 1/2018 McMahon D23/371
D910,822 S * 2/2021 Herweck D23/355
D912,791 S * 3/2021 Herweck D23/355
D919,077 S * 5/2021 Benz D23/393
11,015,822 B2 * 5/2021 Branham F04D 29/4226
11,077,396 B2 * 8/2021 Yang F24F 13/22
2014/0250625 A1 * 9/2014 Huang B01D 45/16
15/353
2015/0328571 A1 * 11/2015 Son B01D 45/16
55/418
2016/0100728 A1 * 4/2016 Lavoie B01D 46/2403
55/447
2016/0345790 A1 * 12/2016 Yang A47L 9/1691
2019/0336904 A1 * 11/2019 Choi B01D 50/004

(Continued)

(**) Term: **15 Years**
(21) Appl. No.: **29/731,407**
(22) Filed: **Apr. 15, 2020**

(30) **Foreign Application Priority Data**

Mar. 16, 2020 (EM) 007756754-0001

(51) **LOC (13) Cl.** **23-04**
(52) **U.S. Cl.**

USPC **D23/393**

(58) **Field of Classification Search**

USPC D23/314, 355, 370, 371, 414
CPC ... E03C 1/12; F24F 13/06; F24F 13/22; F24F 13/20; F24F 12/00; B01D 39/12; E03B 11/08

See application file for complete search history.

(56) **References Cited**

U.S. PATENT DOCUMENTS

D394,101 S * 5/1998 Hayashi D23/370
D404,122 S * 1/1999 Hayashi D23/370
D424,678 S * 5/2000 Holmgren D23/371
D589,133 S * 3/2009 Hedlund D23/371

OTHER PUBLICATIONS

Fulton 4 inch to 2½ inch Reducer Fitting for Dust Collection Hose, Jul. 22, 2006, Amazon.com Apr. 6, 2021. URL: <https://www.amazon.com/Fulton-Reducer-Collection-Connections-Machinery/dp/B08HR6MDWT/> (Year: 2006).*

(Continued)

Primary Examiner — Jack Reickel
Assistant Examiner — Keith J Wilson

(74) *Attorney, Agent, or Firm* — Bacon & Thomas, PLLC

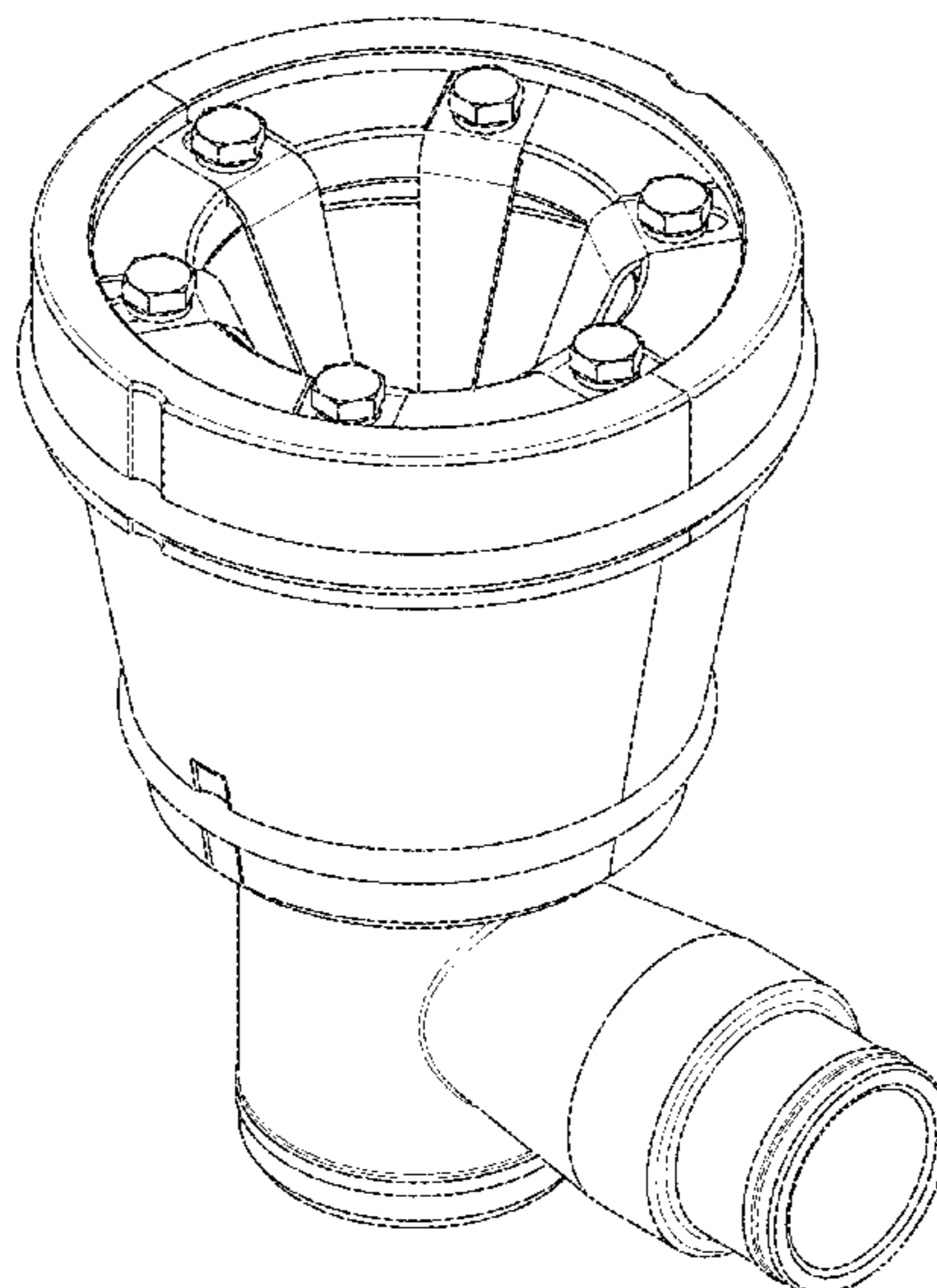
(57) **CLAIM**

The ornamental design for a suction hood, as shown and described.

DESCRIPTION

FIG. 1 is a perspective view of the suction hood.
FIG. 2 is a top view thereof.
FIG. 3 is a bottom view thereof.
FIG. 4 is a right side view thereof.
FIG. 5 is a back view thereof.
FIG. 6 is a left side view thereof; and,
FIG. 7 is a front view thereof.

1 Claim, 7 Drawing Sheets



(56)

References Cited

U.S. PATENT DOCUMENTS

2021/0001356 A1* 1/2021 Fitzsimmons A47L 9/1683
2021/0172627 A1* 6/2021 Jung F24F 6/14

OTHER PUBLICATIONS

POWERTEC 70136 4-Inch Hose to 2½ Inch Hose Cone Reducer,
Jul. 28, 2017, Amazon.com, Aug. 18, 2021.URL: <https://www.amazon.com/POWERTEC-70136-4-Inch-2-Inch-Reducer/dp/B002DSDSY2> (Year: 2017).*

Jet 717600 Cyclonic Dust and Chip Separator, Oct. 16, 2020,
Amazon.com, Aug. 18, 2021.URL: <https://www.amazon.com/Jet-717600-Cyclonic-Dust-Separator/dp/B08X6Z8HM2/> (Year: 2020).*

* cited by examiner

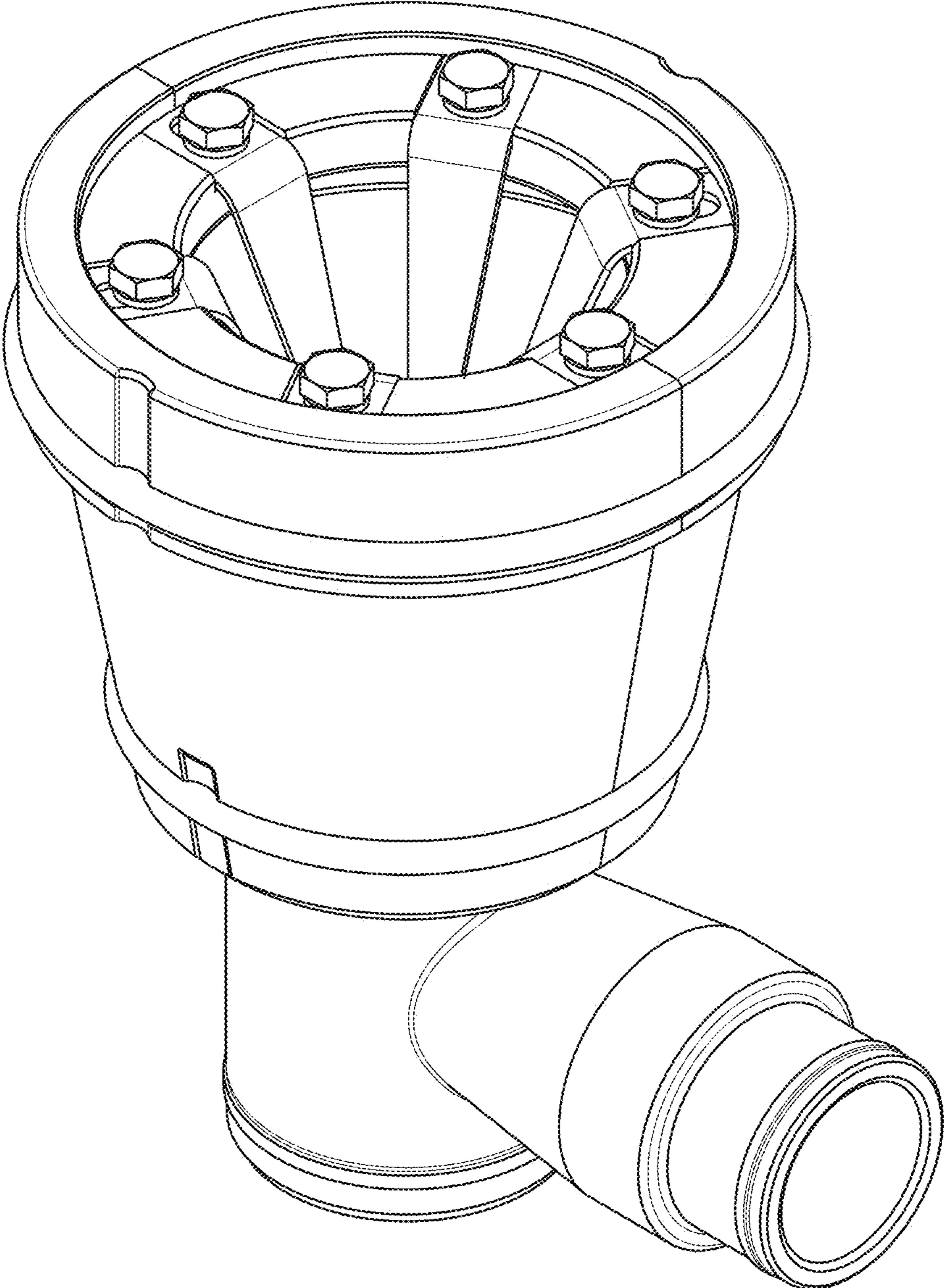


FIG. 1

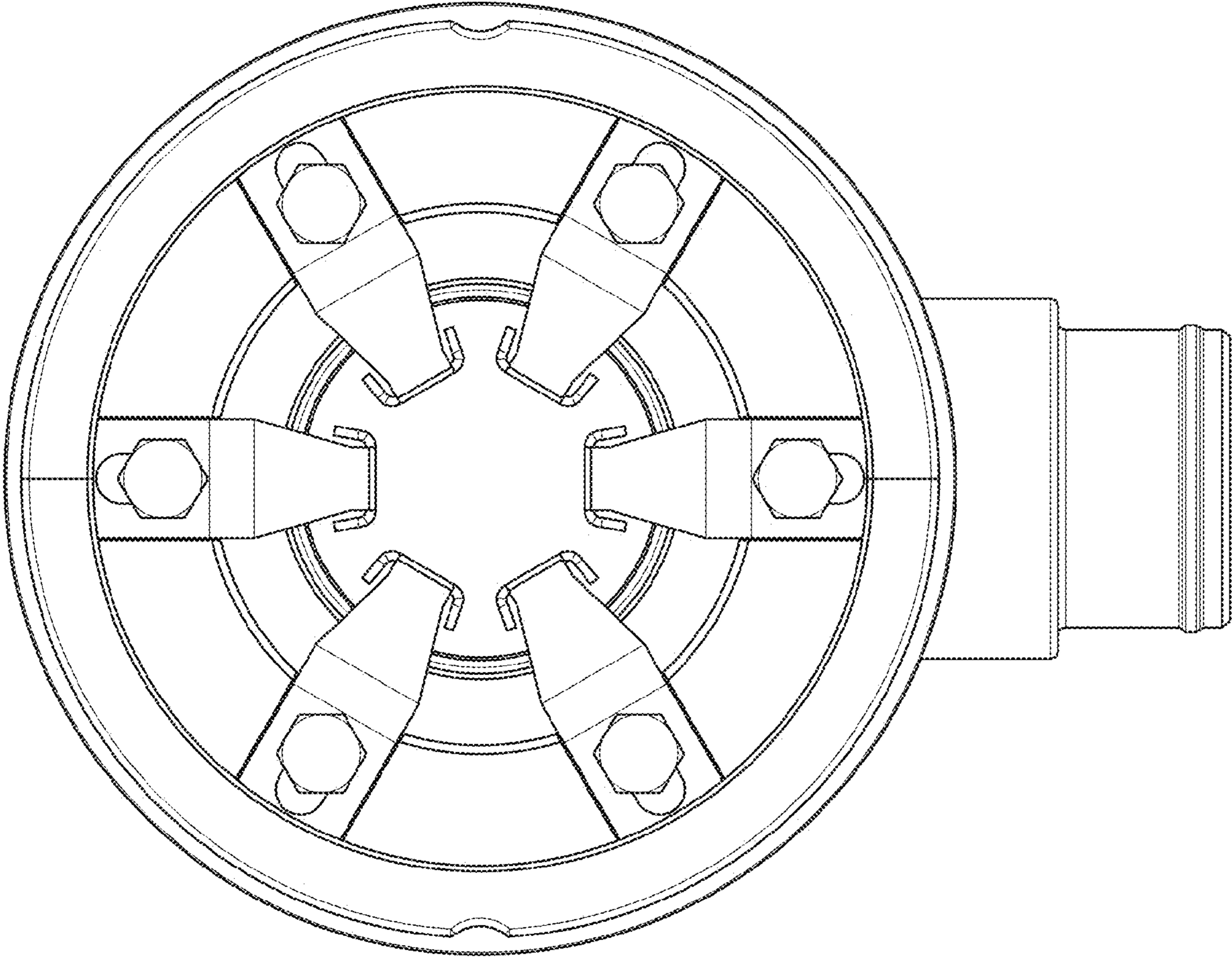


FIG. 2

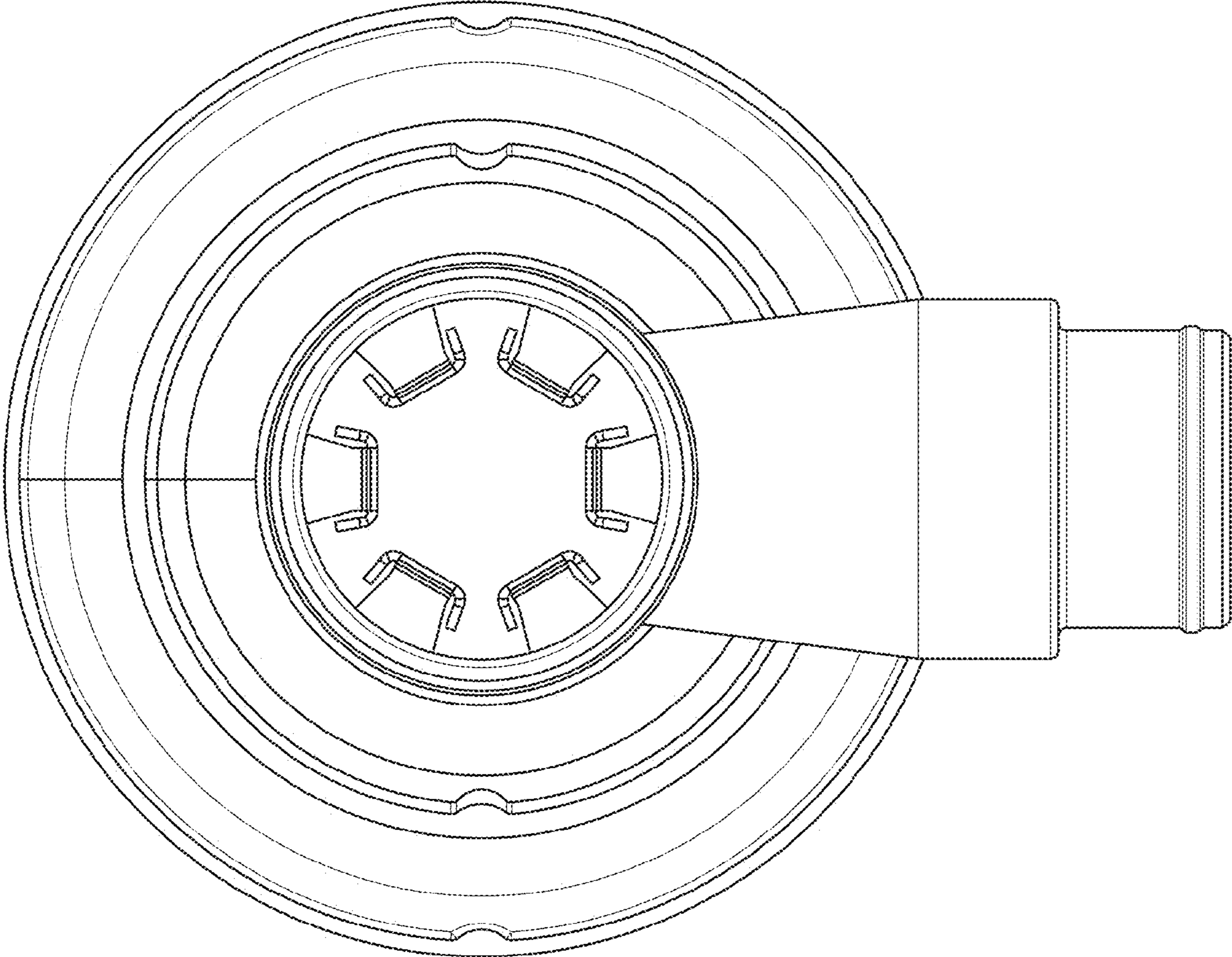


FIG. 3

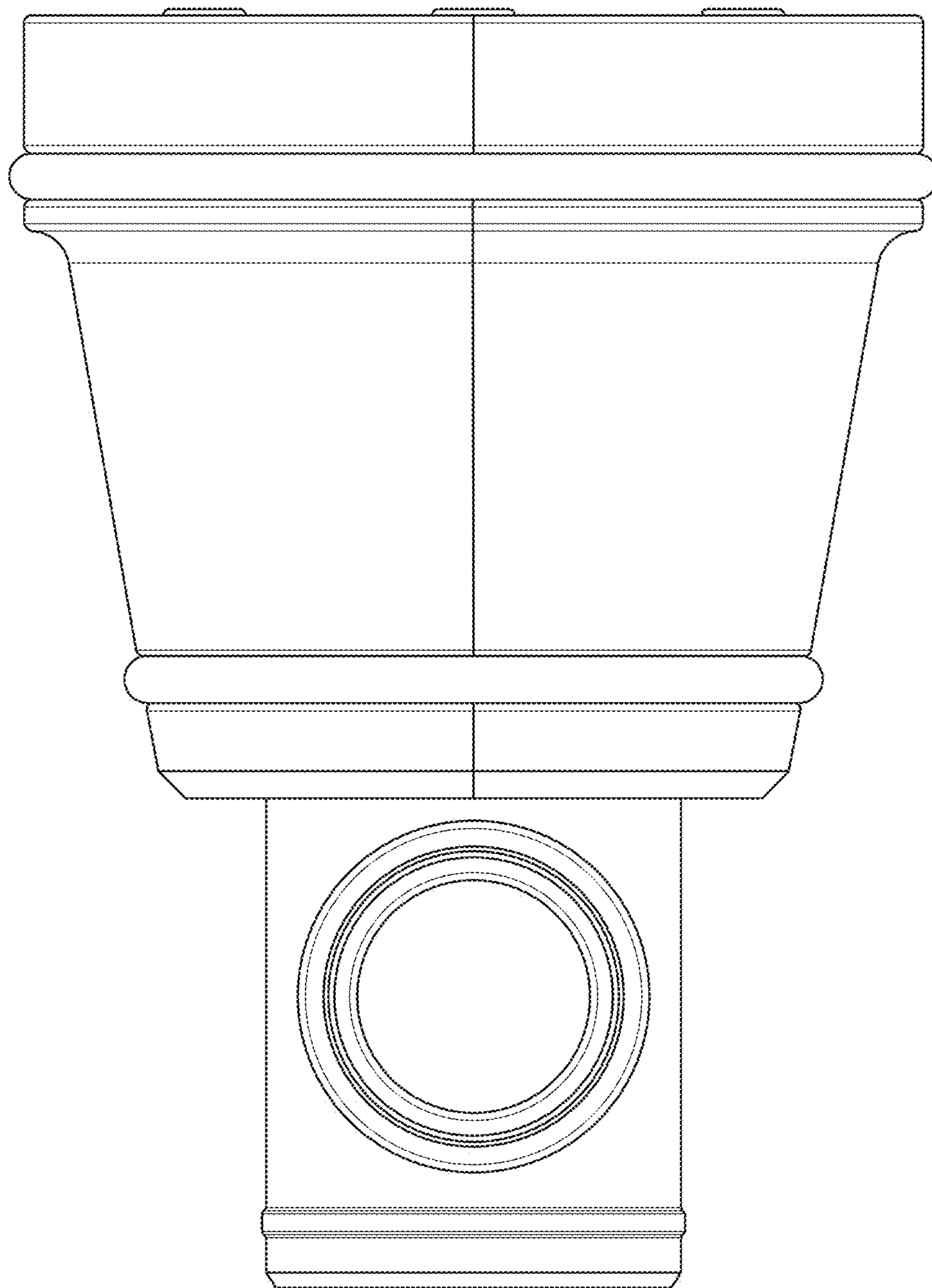


FIG. 4

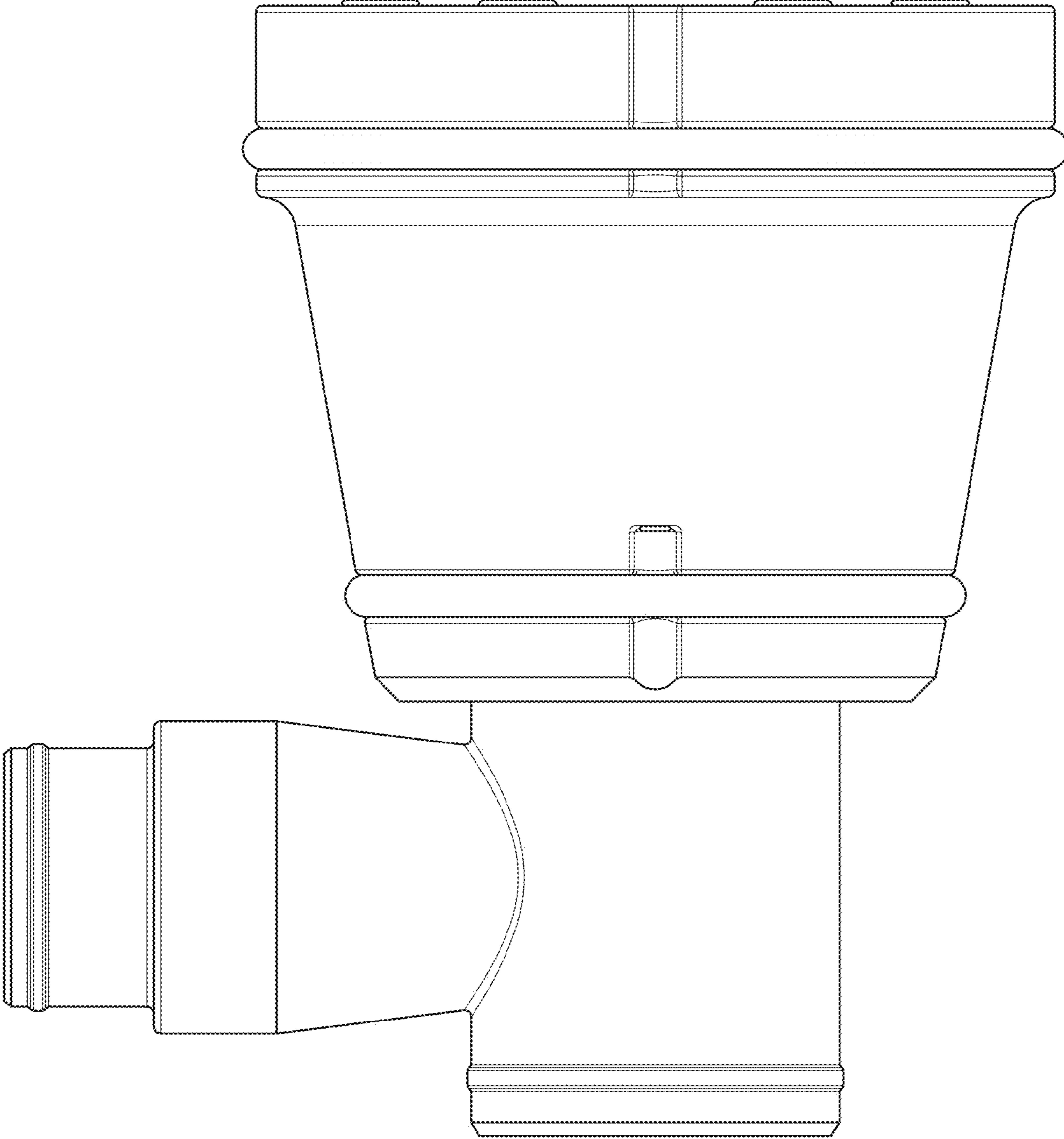


FIG. 5

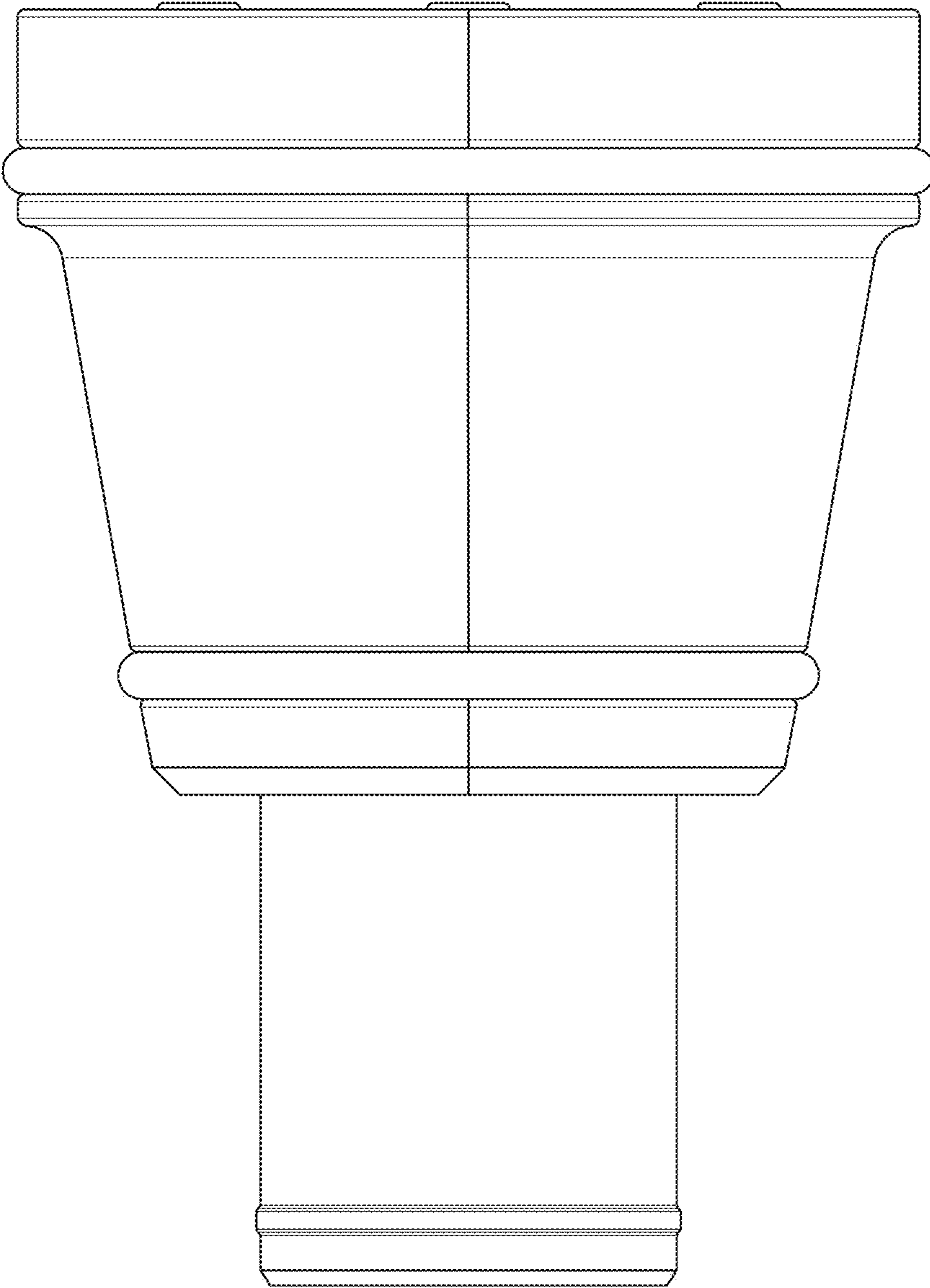


FIG. 6

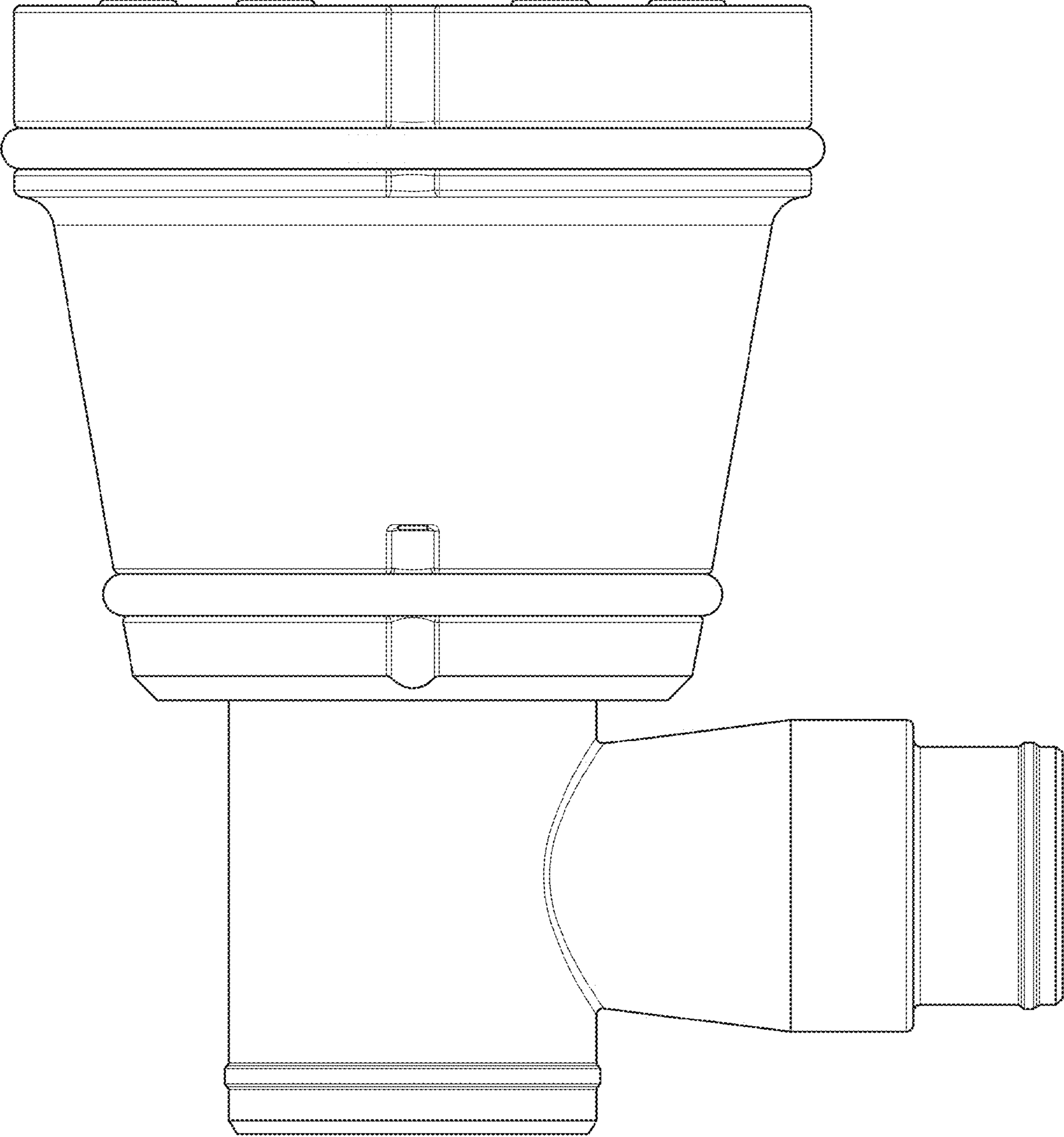


FIG. 7