

US00D936818S

(12) **United States Design Patent**
Xu

(10) **Patent No.:** **US D936,818 S**

(45) **Date of Patent:** **** Nov. 23, 2021**

(54) **FAN**

(71) Applicant: **ShenZhen TopSharp Precision Electronics Co., Ltd., Shenzhen (CN)**

(72) Inventor: **Wenlong Xu, Shenzhen (CN)**

(73) Assignee: **SHENZHEN TOPSHARP PRECISION ELECTRONICS CO., LTD., Shenzhen (CN)**

(**) Term: **15 Years**

(21) Appl. No.: **29/709,429**

(22) Filed: **Oct. 15, 2019**

(30) **Foreign Application Priority Data**

Sep. 4, 2019 (CN) 201930486790.2

(51) **LOC (13) Cl.** **23-04**

(52) **U.S. Cl.**
USPC **D23/380; D23/382**

(58) **Field of Classification Search**
USPC D23/328, 332, 333, 370, 378-383, 385, D23/335-337, 341, 351, 352, 354, D23/411-414; D14/205
CPC F04D 25/084; F04D 25/086
See application file for complete search history.

(56) **References Cited**

U.S. PATENT DOCUMENTS

D408,905 S * 4/1999 Hadjikyriacou D23/378
D800,088 S * 10/2017 Kim D14/205
D841,796 S * 2/2019 Freeland D23/382
D848,597 S * 5/2019 Gajewski D23/370
D851,060 S * 6/2019 Lu D14/205

D853,987 S * 7/2019 Kelley D14/205
D862,679 S * 10/2019 Zhou D23/380
D903,087 S * 11/2020 Zhou D23/370
D908,857 S * 1/2021 Cao D23/380
2020/0187574 A1* 6/2020 Te Hsiang F04D 25/0673

OTHER PUBLICATIONS

Neck Fan 2600mah Battery Operated Neckband Fan, first available May 7, 2020, site visited Mar. 10, 2021, <<https://www.amazon.com/Operated-Neckband-Hand-Free-Wearable-Personal/dp/B0888NRPWV?th=1>>.*

* cited by examiner

Primary Examiner — Sharon S Oum

(57) **CLAIM**

The ornamental design for a fan, as shown and described.

DESCRIPTION

FIG. 1 is a perspective view of a fan showing my new design;
FIG. 2 is another perspective view thereof;
FIG. 3 is a front elevational view thereof;
FIG. 4 is a rear elevational view thereof;
FIG. 5 is a left side elevational view thereof;
FIG. 6 is a right side elevational view thereof;
FIG. 7 is a top plan view thereof;
FIG. 8 is a bottom plan view thereof;
FIG. 9 is an enlarged view of portion 9 shown in FIG. 1;
FIG. 10 is an enlarged view of portion 10 shown in FIG. 2;
FIG. 11 is an enlarged view of portion 11 shown in FIG. 3;
and,
FIG. 12 is an enlarged view of portion 12 shown in FIG. 4.
The broken lines in the drawings depict portions of the fan that form no part of the claimed design.

1 Claim, 12 Drawing Sheets

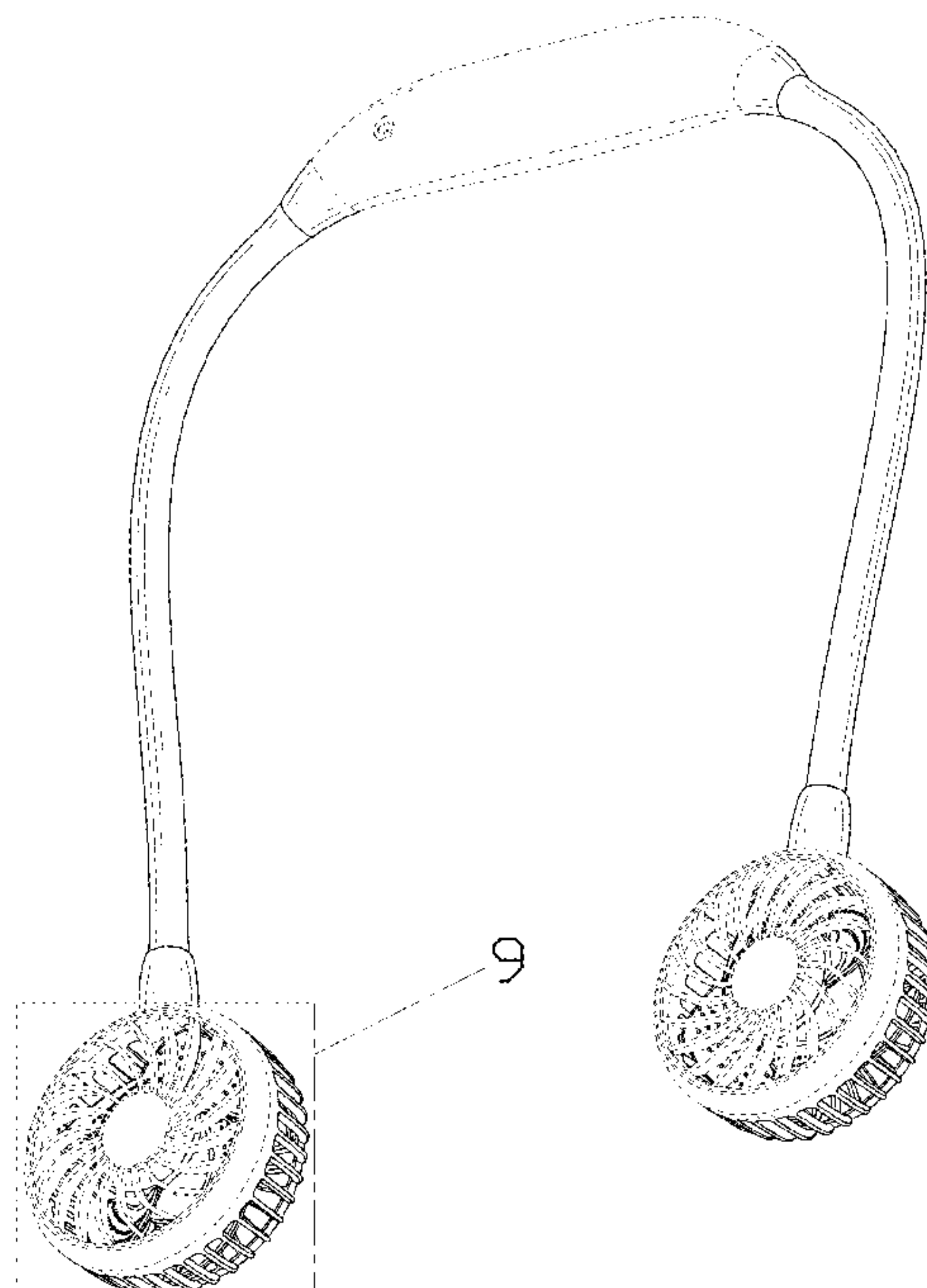




FIG. 1

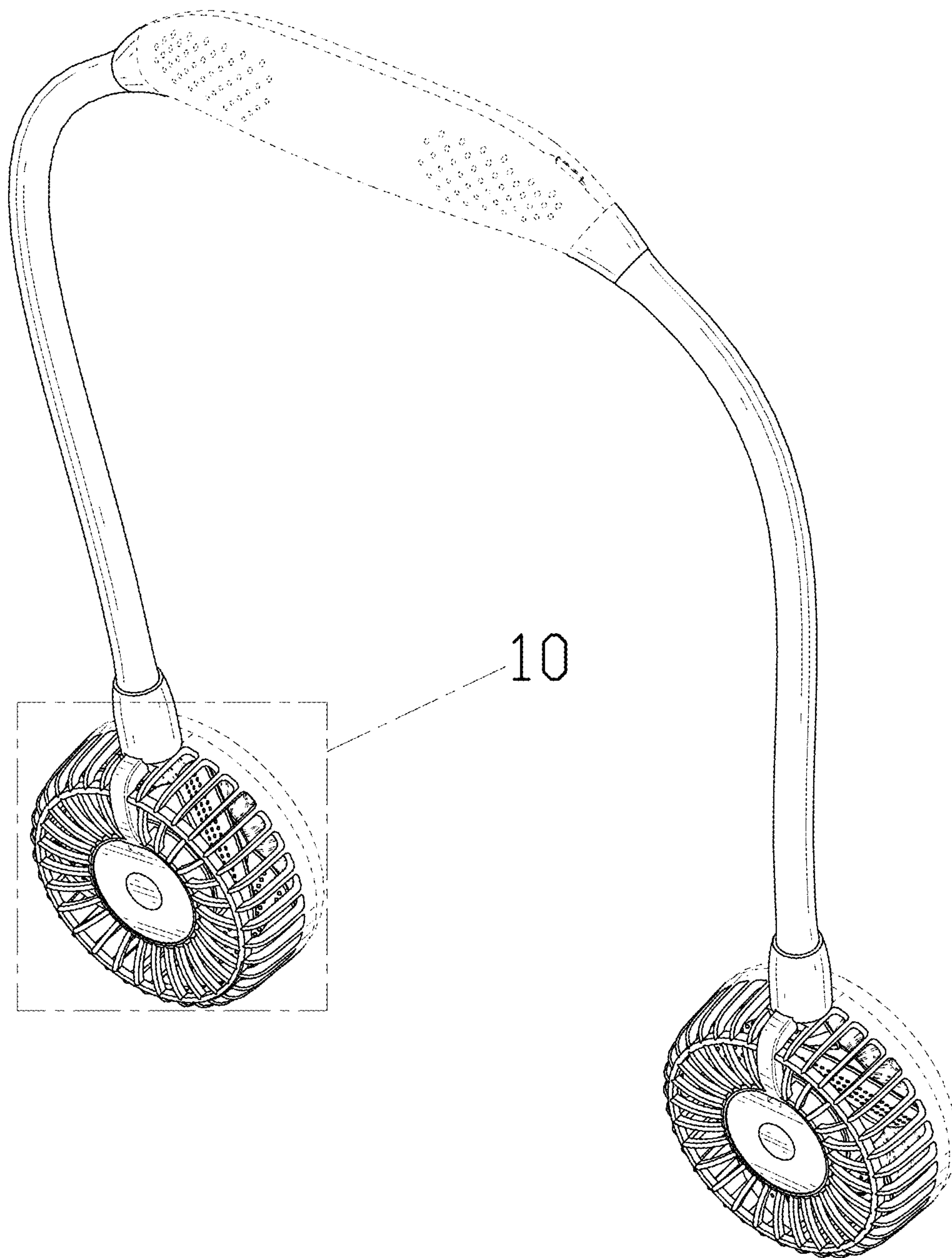


FIG. 2

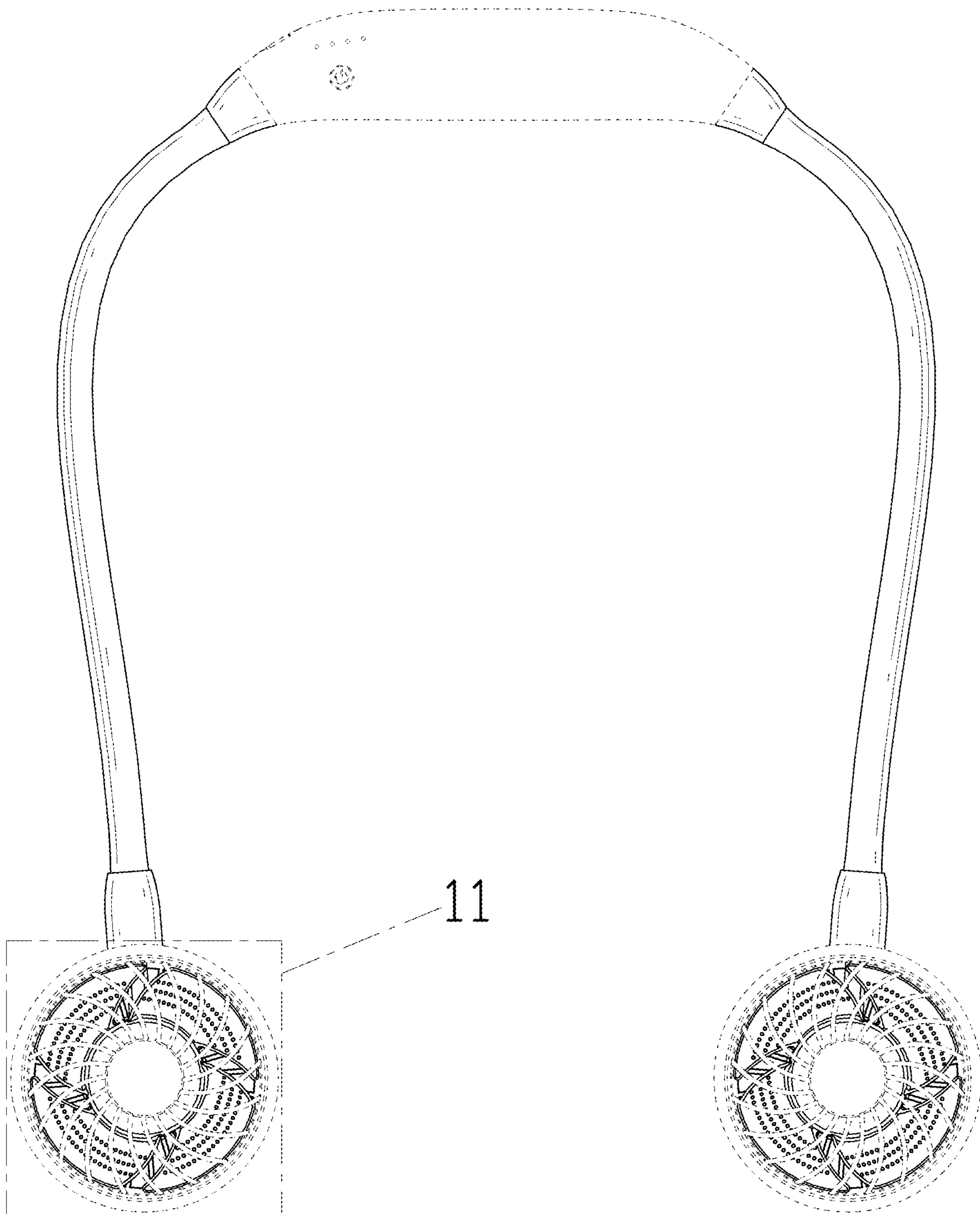


FIG. 3

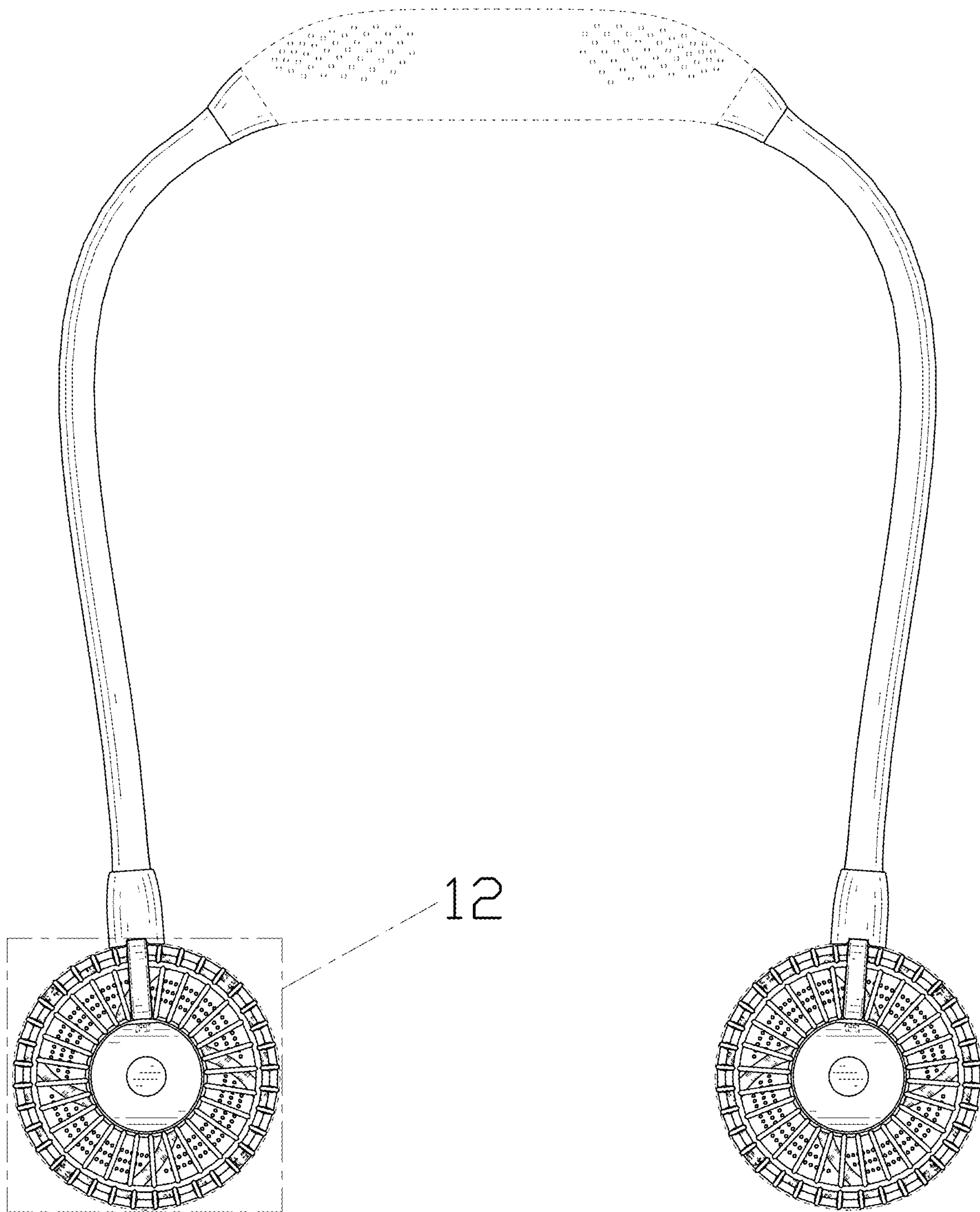


FIG. 4

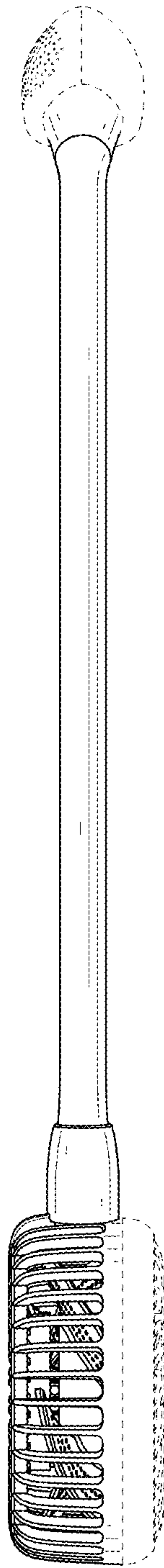


FIG. 5

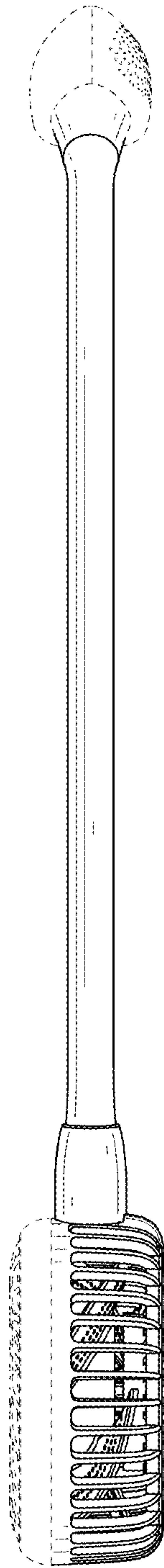


FIG. 6

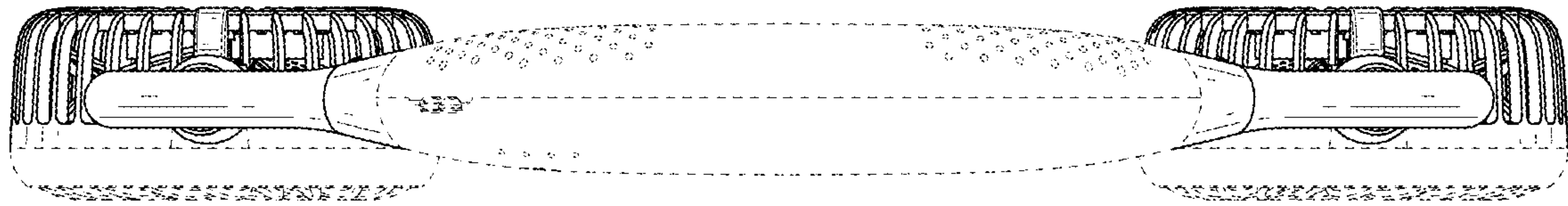


FIG. 7

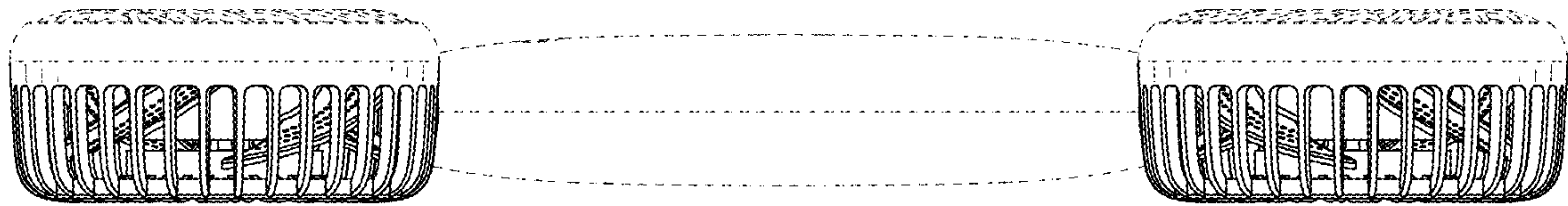


FIG. 8

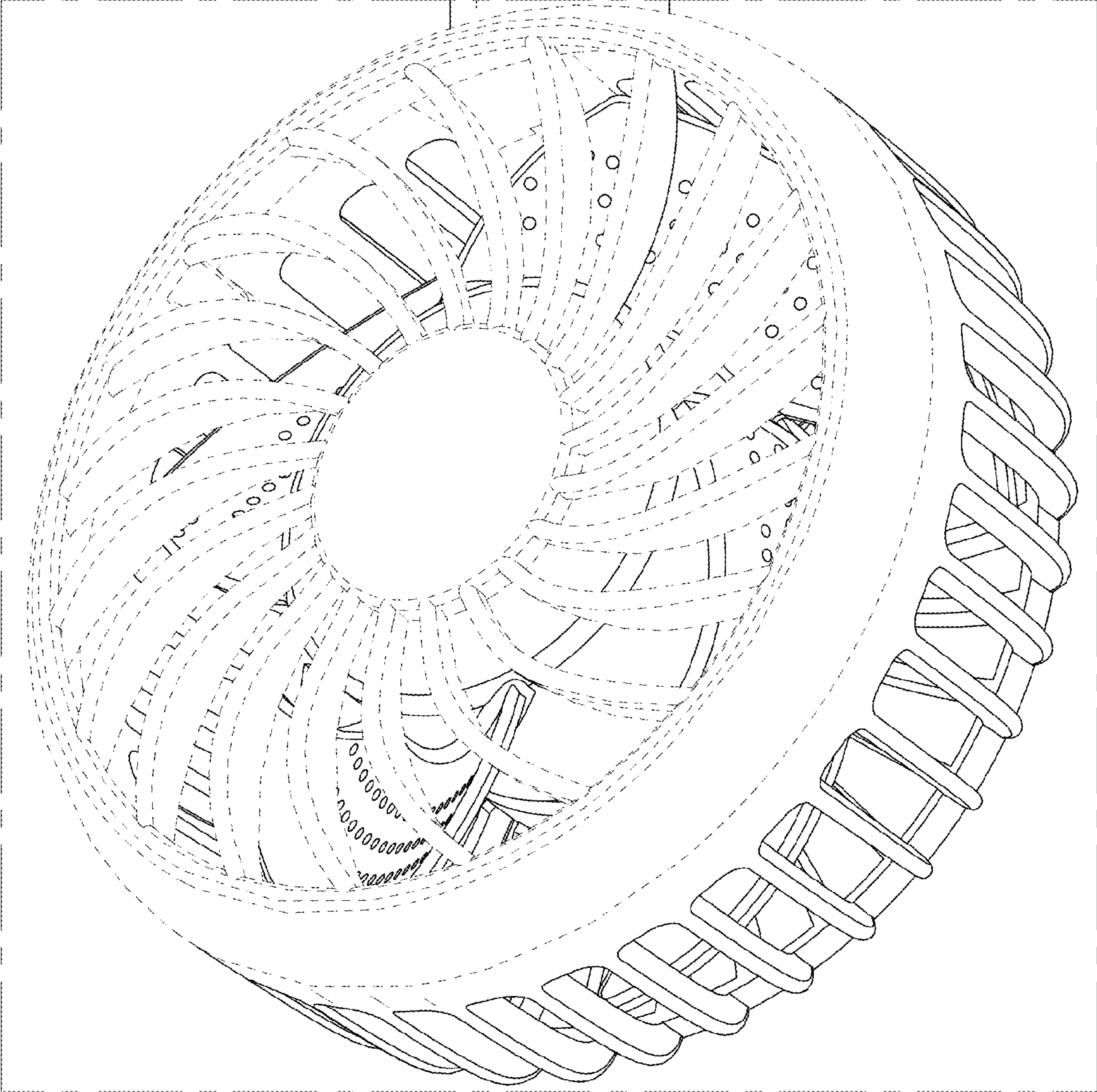


FIG. 9

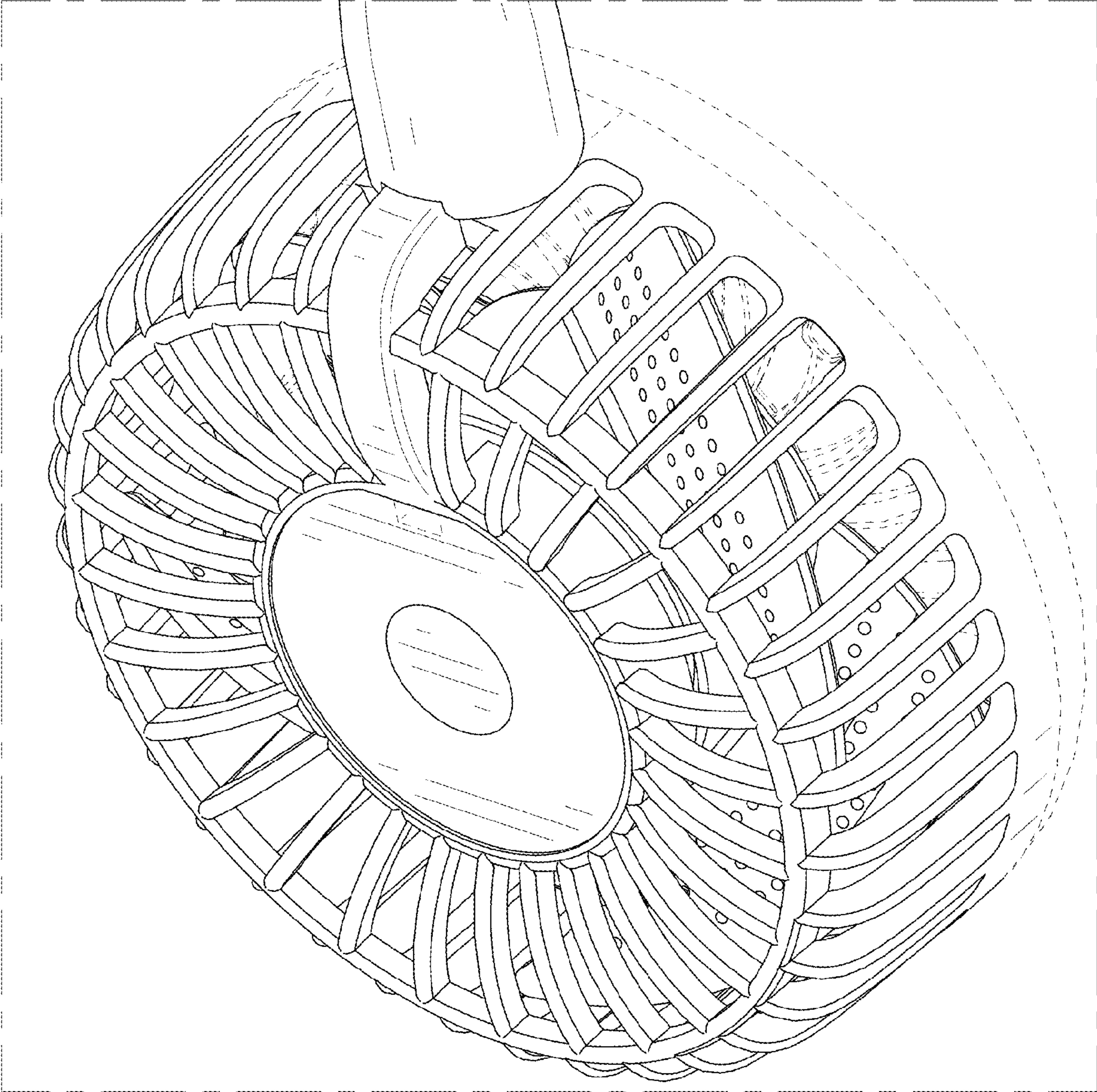


FIG. 10

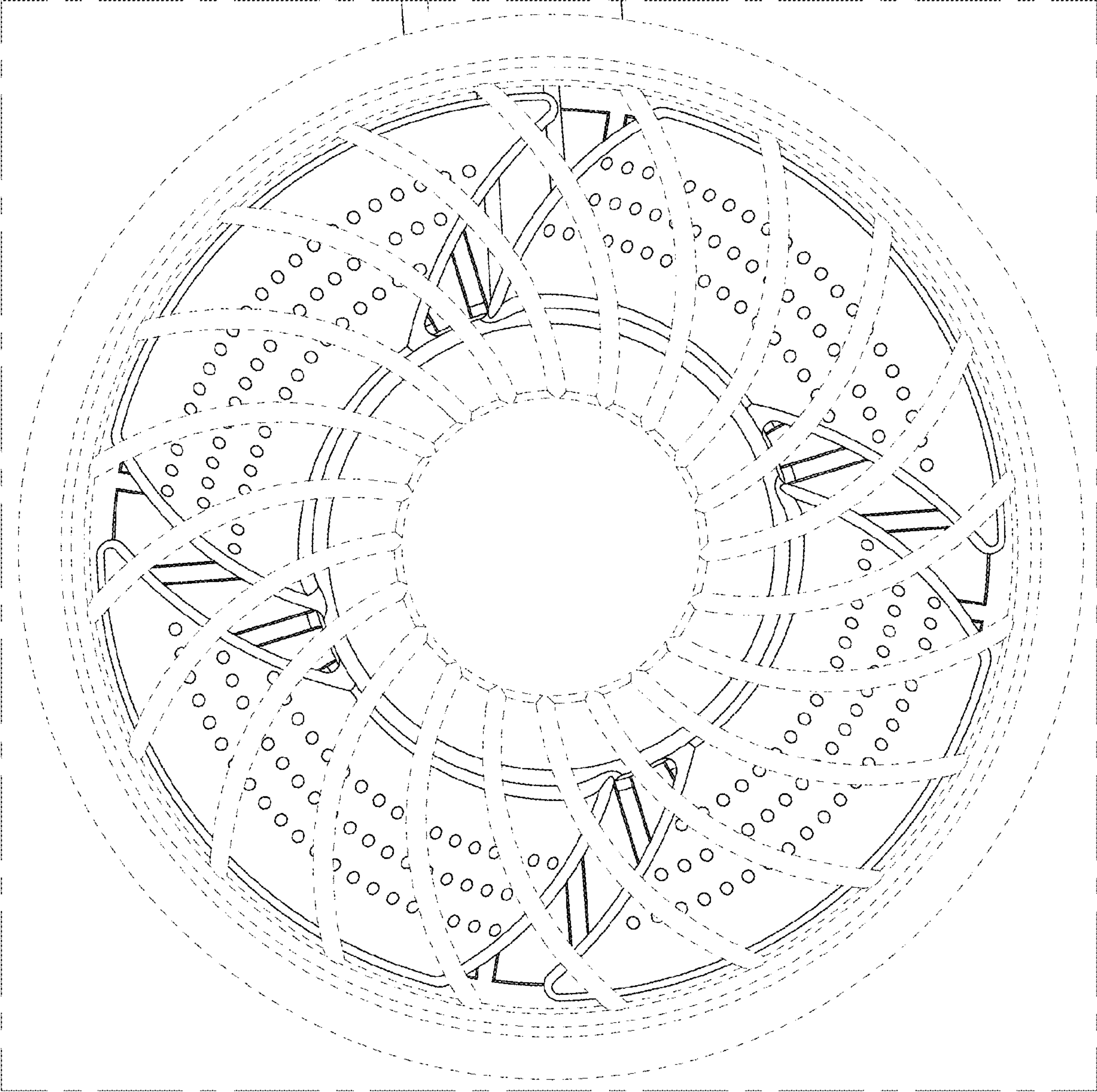


FIG. 11

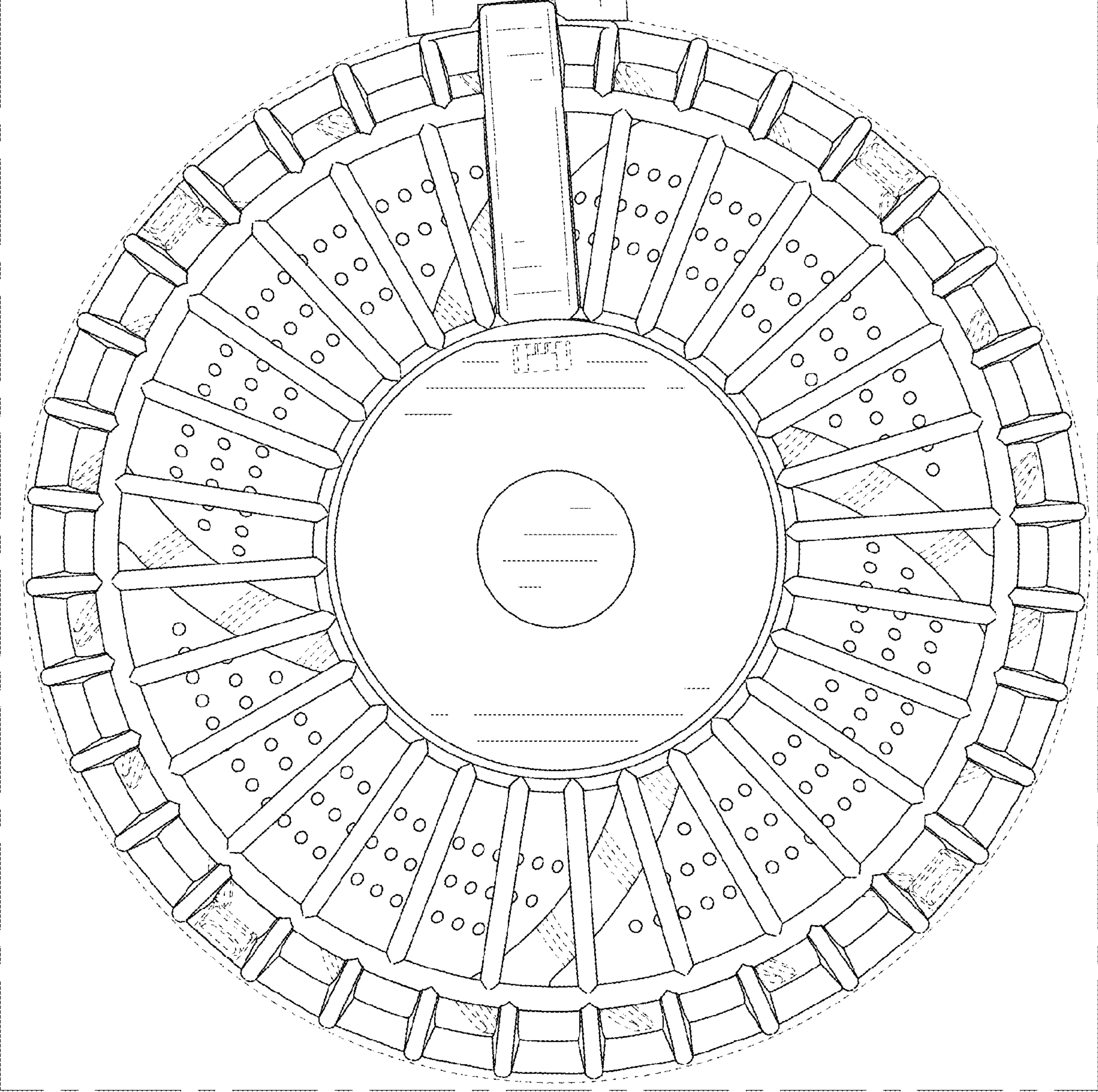


FIG. 12