



US00D936817S

(12) **United States Design Patent**
Fan

(10) **Patent No.:** **US D936,817 S**

(45) **Date of Patent:** **** Nov. 23, 2021**

(54) **TOWER FAN**

(71) Applicant: **ANDILY LTD**, Spokane, WA (US)

(72) Inventor: **Roger Fan**, Spokane, WA (US)

(73) Assignee: **ANDILY LTD**, Spokane, WA (US)

(**) Term: **15 Years**

(21) Appl. No.: **29/748,191**

(22) Filed: **Aug. 27, 2020**

(51) **LOC (13) Cl.** **23-04**

(52) **U.S. Cl.**
USPC **D23/378**

(58) **Field of Classification Search**
USPC D23/332, 333, 335-337, 342, 351, 352,
D23/355-362, 364-366, 370, 378, 381,
D23/383
CPC F04D 25/08; F04D 29/38; F04D 29/384;
F04D 29/386; F04D 29/48; F04D 17/04;
F04D 25/10; F24H 3/0417
See application file for complete search history.

(56) **References Cited**

U.S. PATENT DOCUMENTS

D398,044 S *	9/1998	Gutmann	D23/364
D515,187 S *	2/2006	Blateri	D23/336
D558,319 S *	12/2007	Ishiguro	D23/356
D581,038 S *	11/2008	Boswell	D23/378
D586,899 S *	2/2009	Searle	D23/364
D603,036 S *	10/2009	Boswell	D23/378
D699,336 S *	2/2014	Girard	D23/370

D809,120 S *	1/2018	Shin	D23/378
D817,467 S *	5/2018	Shin	D23/364
D843,554 S *	3/2019	Engelhard	D23/364
D863,518 S *	10/2019	Fuller	D23/317
D879,938 S *	3/2020	Rubin	D23/378
D890,323 S *	7/2020	Hou	D23/378
2006/0172682 A1 *	8/2006	Orr	F04D 25/08 454/152

* cited by examiner

Primary Examiner — Sharon S Oum

(74) *Attorney, Agent, or Firm* — Adam L. K. Philipp;
Shan Liao; Aeon Law

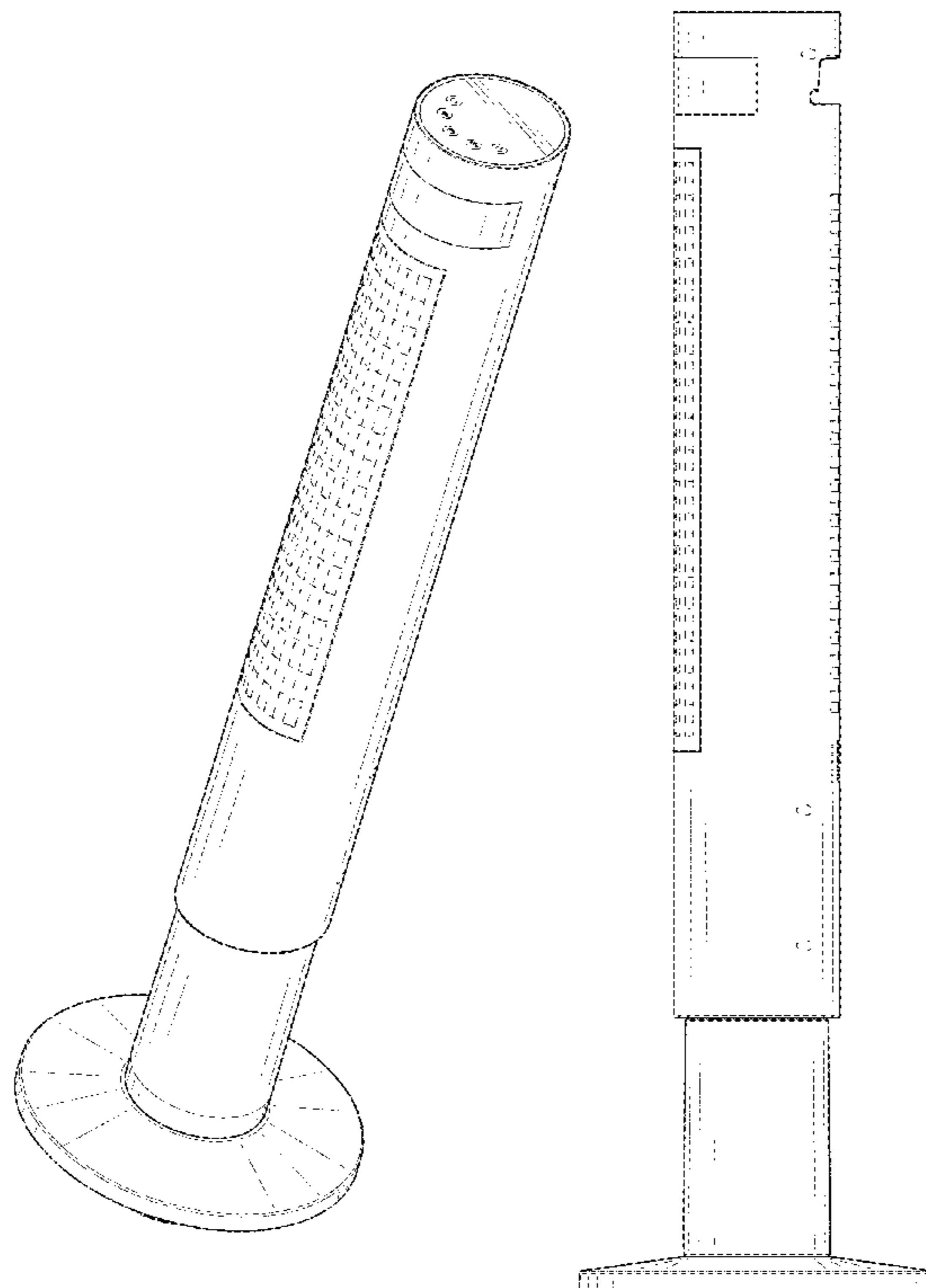
(57) **CLAIM**

The ornamental design for a tower fan, as shown and described.

DESCRIPTION

FIG. 1 is a left front perspective view of a tower fan.
FIG. 2 is a right rear perspective view of the tower fan.
FIG. 3 is a right rear bottom perspective view of the tower fan.
FIG. 4 is a front view of the tower fan.
FIG. 5 is a rear view of the tower fan.
FIG. 6 is a left side view of the tower fan.
FIG. 7 is a right side view of the tower fan.
FIG. 8 is a top view of the tower fan; and,
FIG. 9 is a bottom view of the tower fan.
The broken line showing of the front grid, the rear grid, the bottom of the base, the bolt holes and the buttons on the top is included for the purpose of illustrating environment and forms no part of the claimed design.

1 Claim, 9 Drawing Sheets



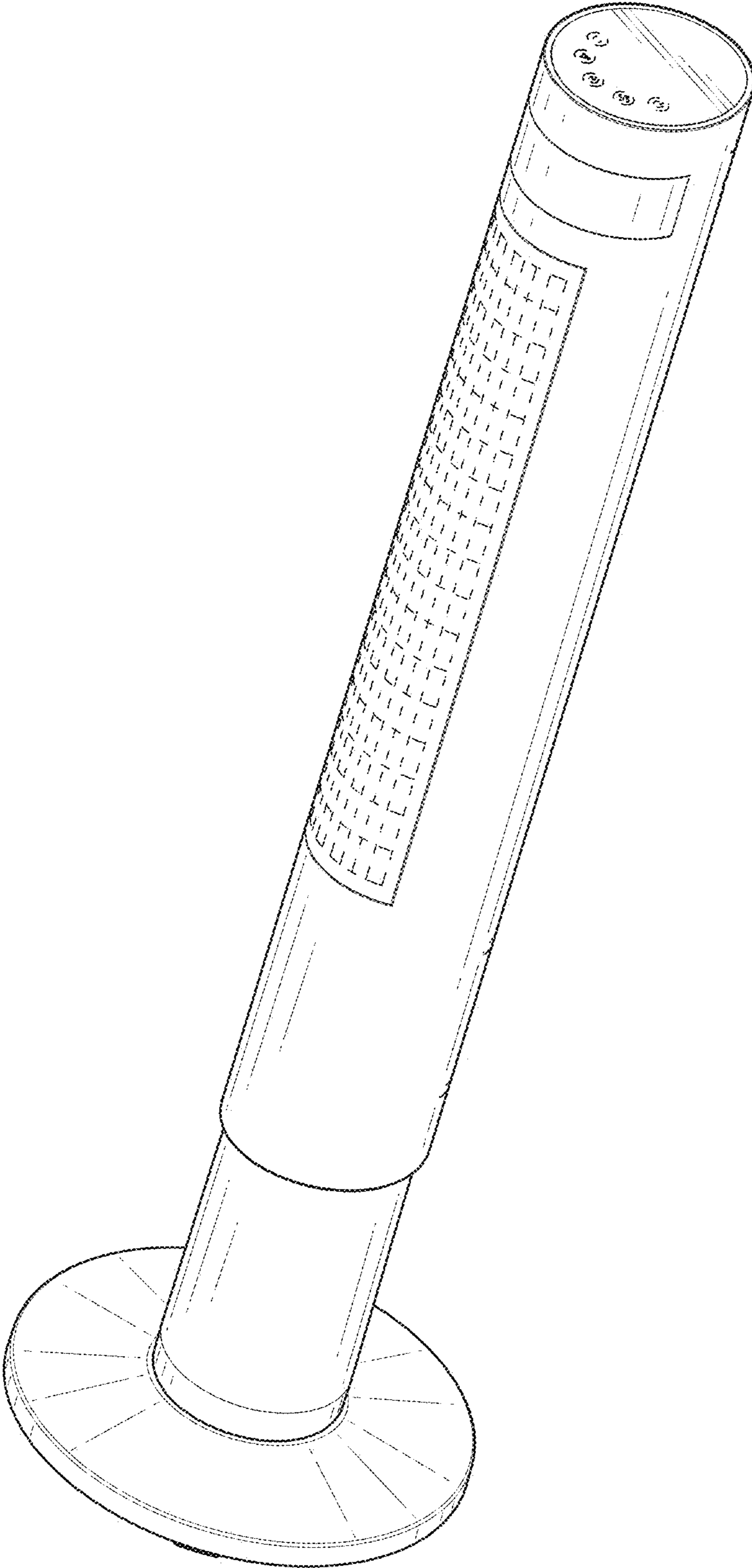


FIG. 1

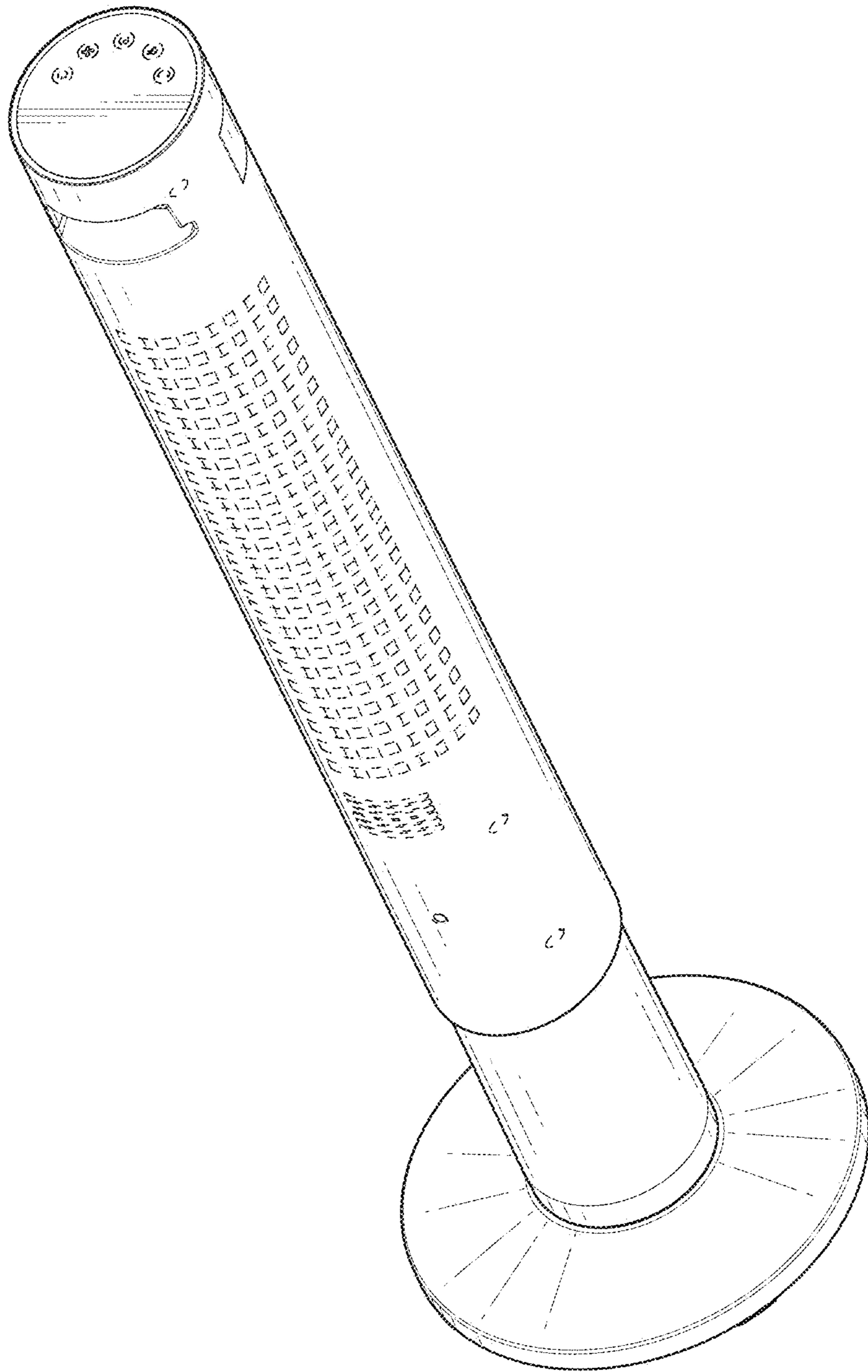


FIG. 2

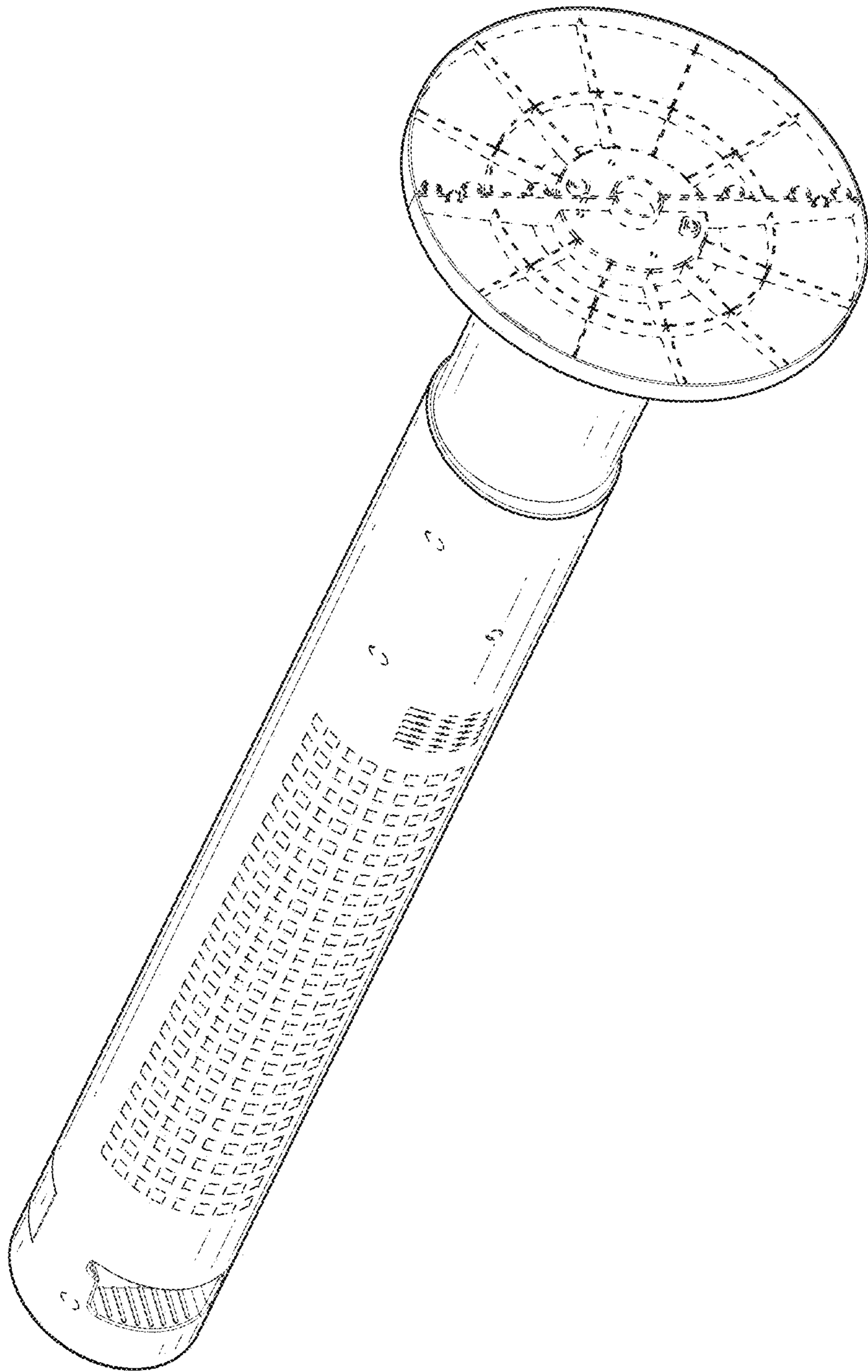


FIG. 3

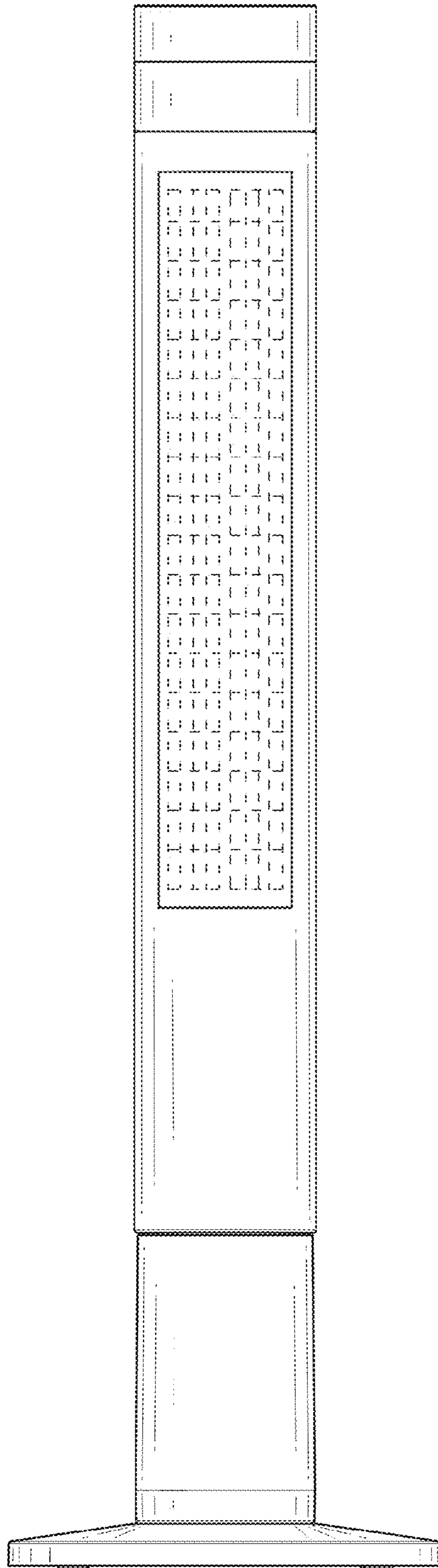


FIG. 4

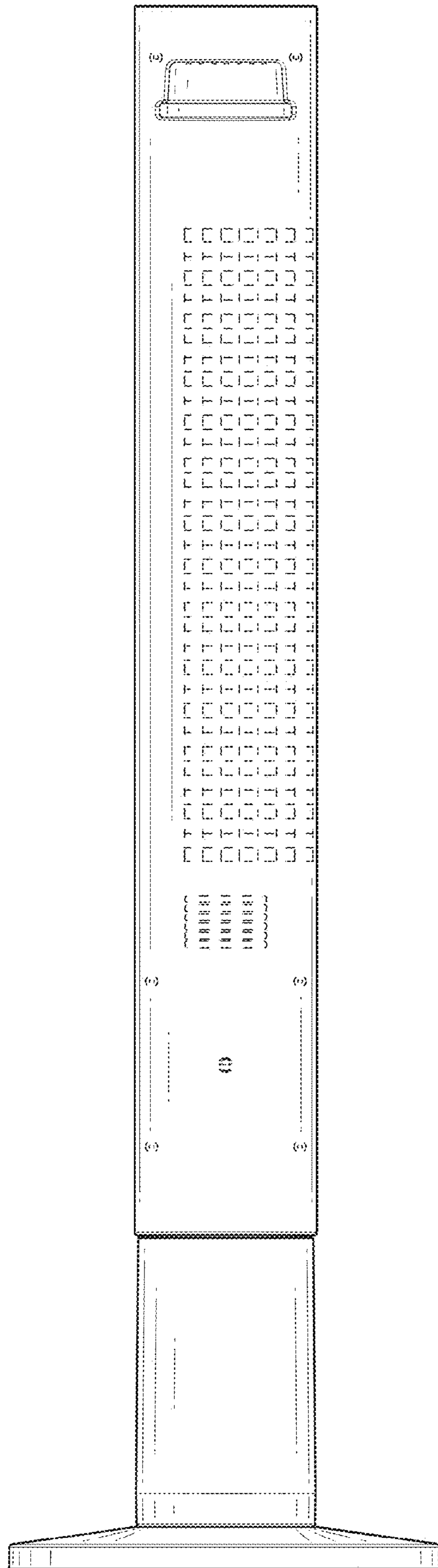


FIG. 5

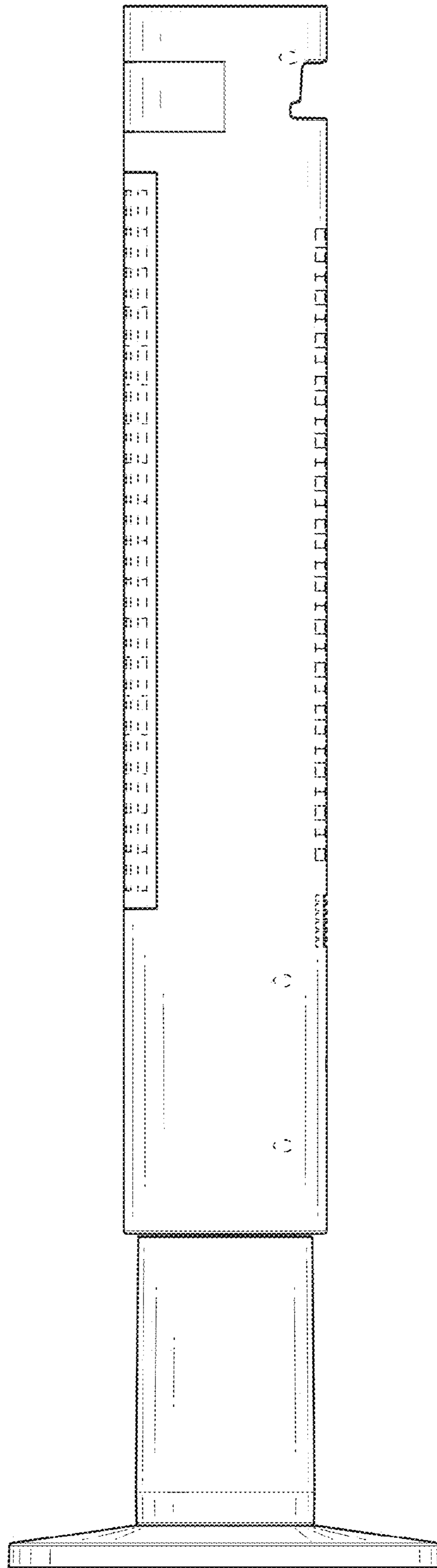


FIG. 6

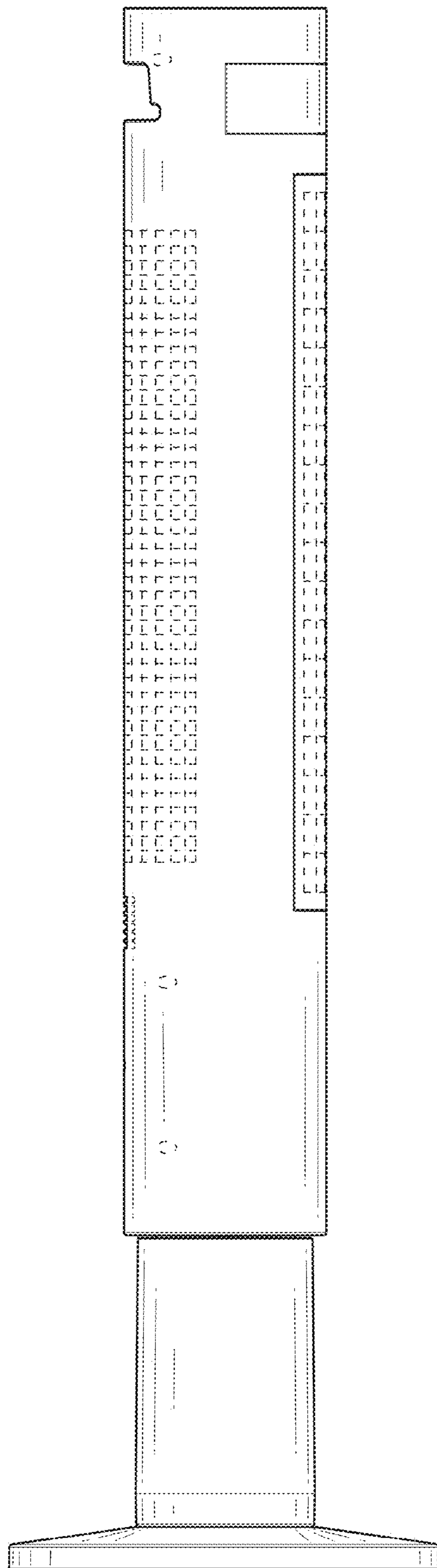


FIG. 7

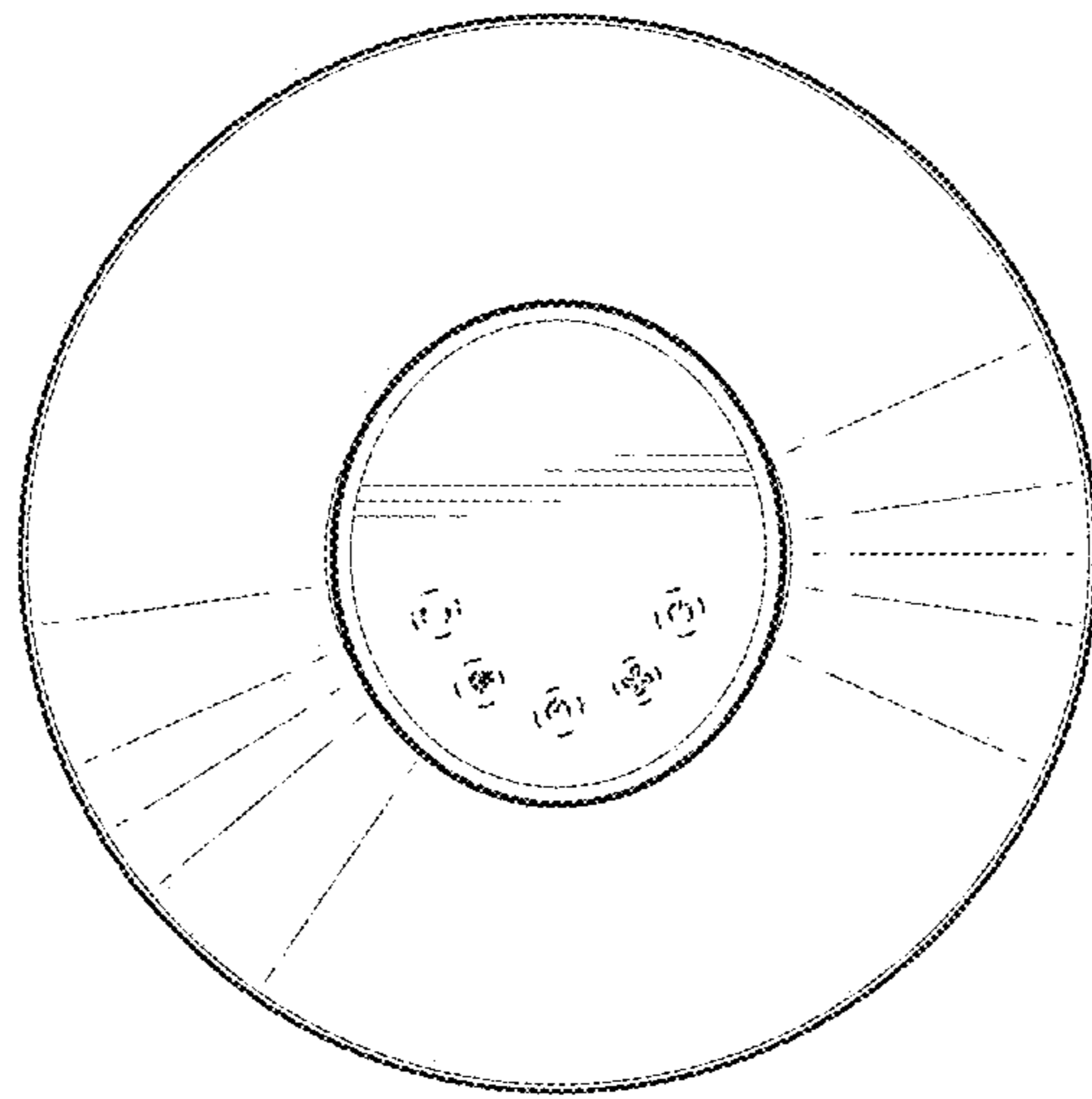


FIG. 8

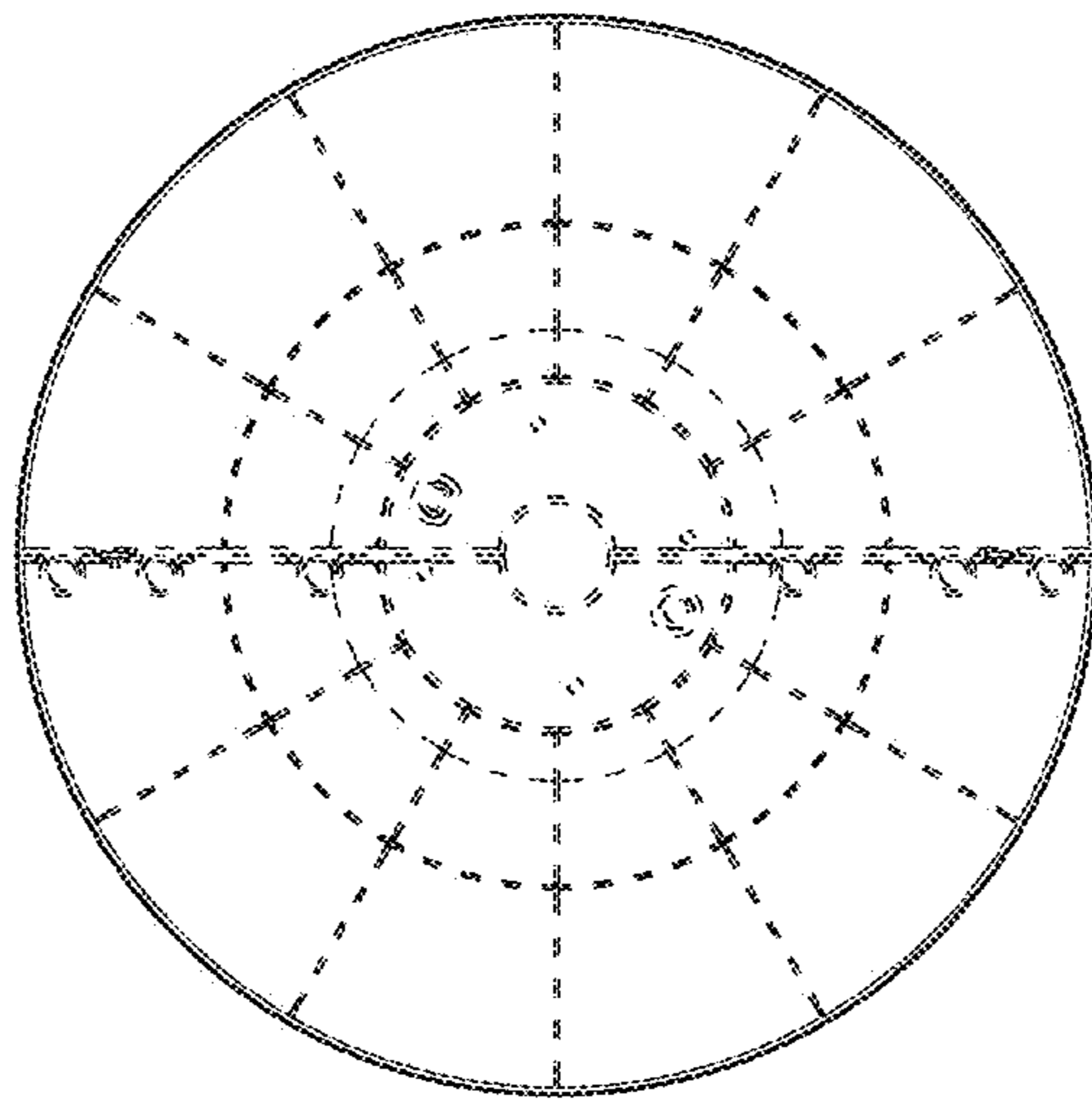


FIG. 9