

US00D936816S

(12) **United States Design Patent** (10) **Patent No.:** **US D936,816 S**
Doshi et al. (45) **Date of Patent:** **** Nov. 23, 2021**

(54) **FAN**
(71) Applicant: **Shriro Australia Pty Limited,**
Kingsgrove (AU)
(72) Inventors: **Siddharth Doshi,** Sydney (AU); **David Mansueto,** Rose Bay (AU); **Anson Li,** Rhodes (AU); **David Jones,** Beecroft (AU)
(73) Assignee: **Shriro Australia Pty Limited,** Kingsgrove (AU)
(**) Term: **15 Years**

D491,684 S * 6/2004 McInnis D26/63
D519,662 S * 4/2006 Mullen D26/61
D567,930 S * 4/2008 Smith D23/382
D616,587 S * 5/2010 Sabernig D26/63
D623,327 S * 9/2010 Malkanov D26/63
D698,916 S * 2/2014 Avedon D23/379
D748,314 S * 1/2016 Leijh D26/63
D788,344 S * 5/2017 Gecchelin D26/63
D805,176 S * 12/2017 Avedon D23/379
D832,450 S * 10/2018 Lee D24/209
D844,128 S * 3/2019 Li D23/378
10,221,861 B2 * 3/2019 Avedon F04D 19/002
D848,653 S * 5/2019 Gines D26/63
D908,940 S * 1/2021 Chen D26/63
D910,219 S * 2/2021 Frost D26/63

(Continued)

(21) Appl. No.: **29/698,620**
(22) Filed: **Jul. 18, 2019**
(30) **Foreign Application Priority Data**

Feb. 4, 2019 (AU) 201910573

(51) **LOC (13) Cl.** **23-04**

(52) **U.S. Cl.**
USPC **D23/378**

(58) **Field of Classification Search**
USPC D23/332, 333, 335-337, 364, 370, 378,
D23/379, 381-383; D26/61, 63-65
CPC F04D 25/08; F04D 29/38; F04D 29/384;
F04D 29/386; F04D 29/48; F24H 3/0417
See application file for complete search history.

(56) **References Cited**

U.S. PATENT DOCUMENTS

1,233,696 A * 7/1917 Pakeman 43/139
D255,489 S * 6/1980 Kanarek D23/383
D323,885 S * 2/1992 Wortham D23/378
D325,628 S * 4/1992 Cho D23/370
D399,584 S * 10/1998 Giese D26/63
D463,855 S * 10/2002 Sherman D23/378

Primary Examiner — Sharon S Oum
(74) *Attorney, Agent, or Firm* — DASCENZO GATES
Intellectual Property Law, P.C.

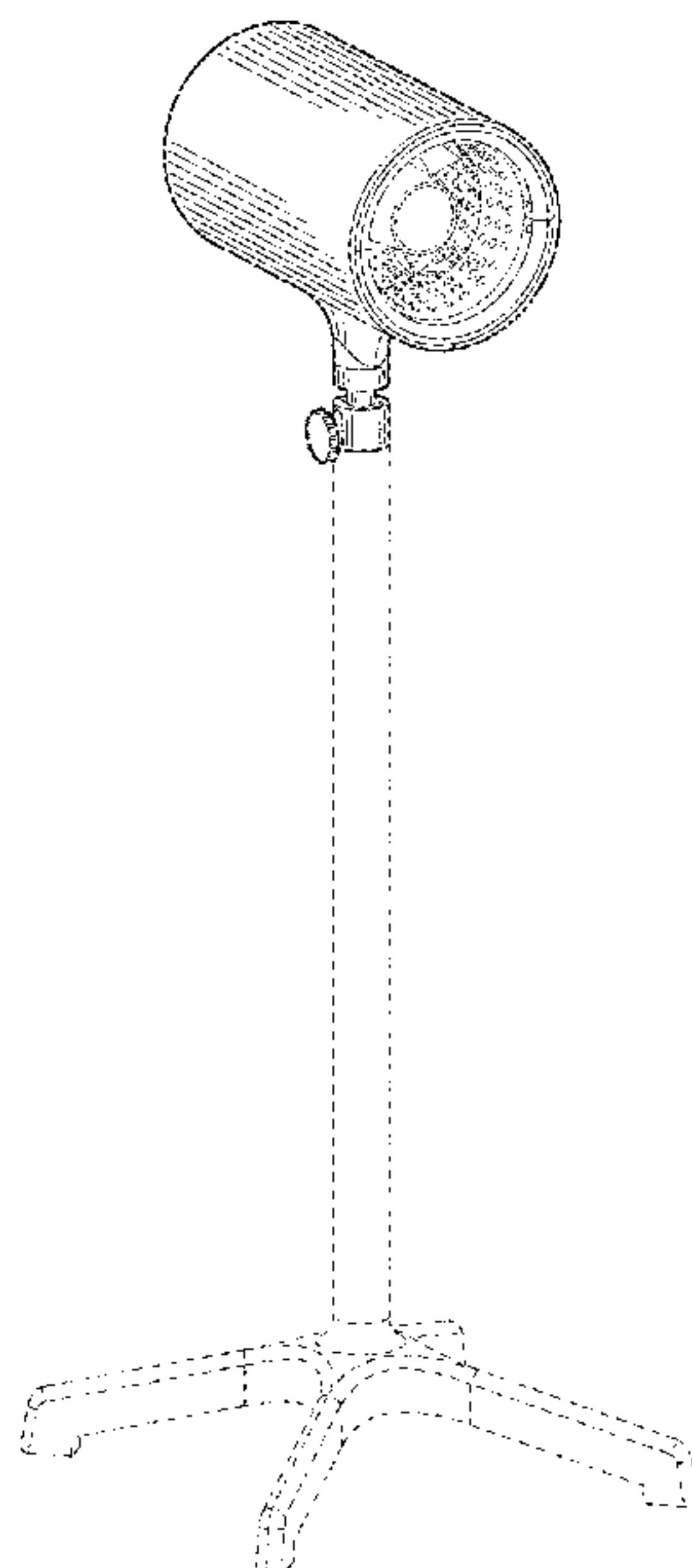
(57) **CLAIM**

The ornamental design for a fan, as shown and described.

DESCRIPTION

FIG. 1 is a front isometric view showing the new design.
FIG. 2 is a rear isometric view thereof.
FIG. 3 is a front view thereof.
FIG. 4 is a right side elevation view thereof.
FIG. 5 is a left side elevation view thereof.
FIG. 6 is a top plan view thereof.
FIG. 7 is a bottom plan view thereof.
FIG. 8 is an enlarged partial view of FIG. 1.
FIG. 9 is an enlarged partial view of FIG. 2; and,
FIG. 10 is an enlarged partial view of FIG. 3.
The dashed lines shown in the drawings illustrate portions of the fan that are not claimed and thus form no part of the claimed design. The shading lines shown in the drawings represent the three-dimensional contour of the claimed design and are not intended to indicate surface decoration.

1 Claim, 9 Drawing Sheets



(56)

References Cited

U.S. PATENT DOCUMENTS

D915,654 S * 4/2021 Hsu D26/63
2019/0331137 A1 * 10/2019 Xiao F04D 29/325

* cited by examiner

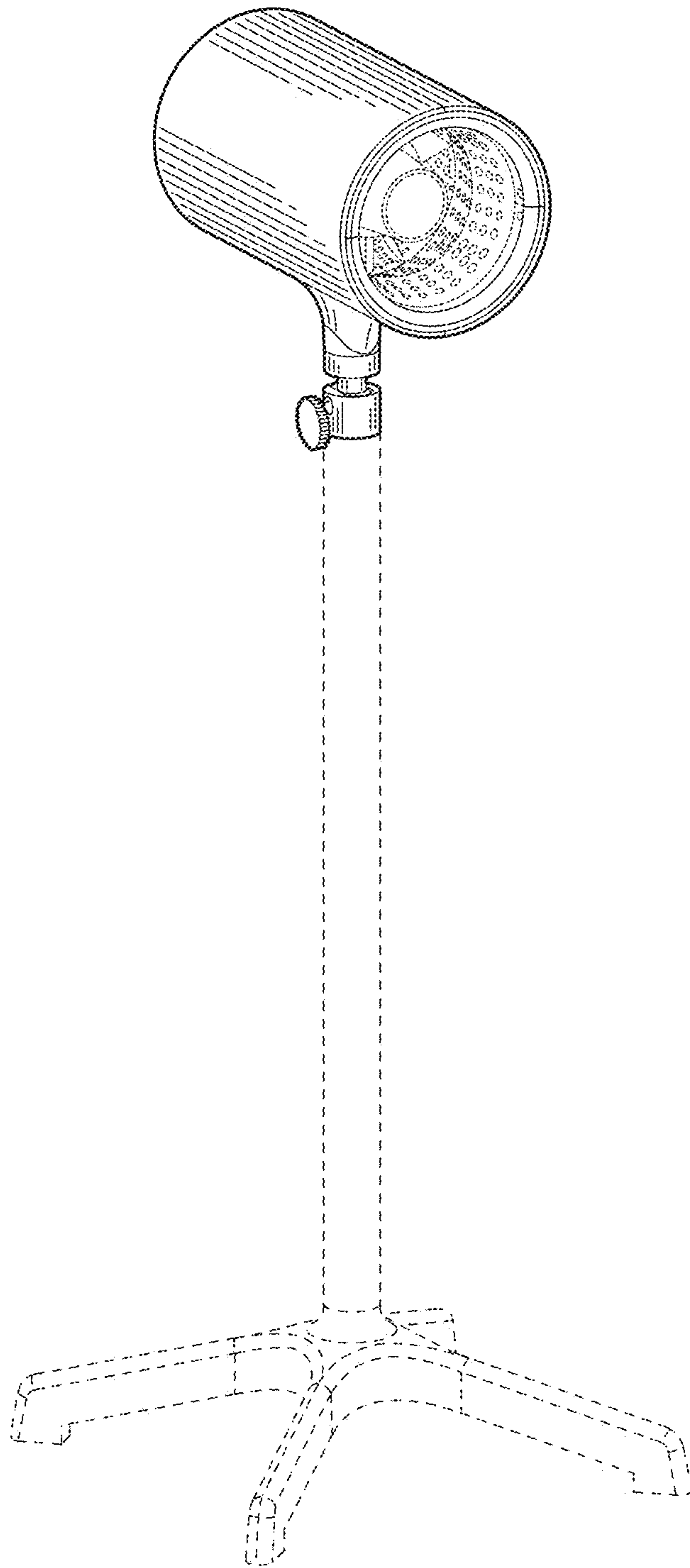


Fig. 1

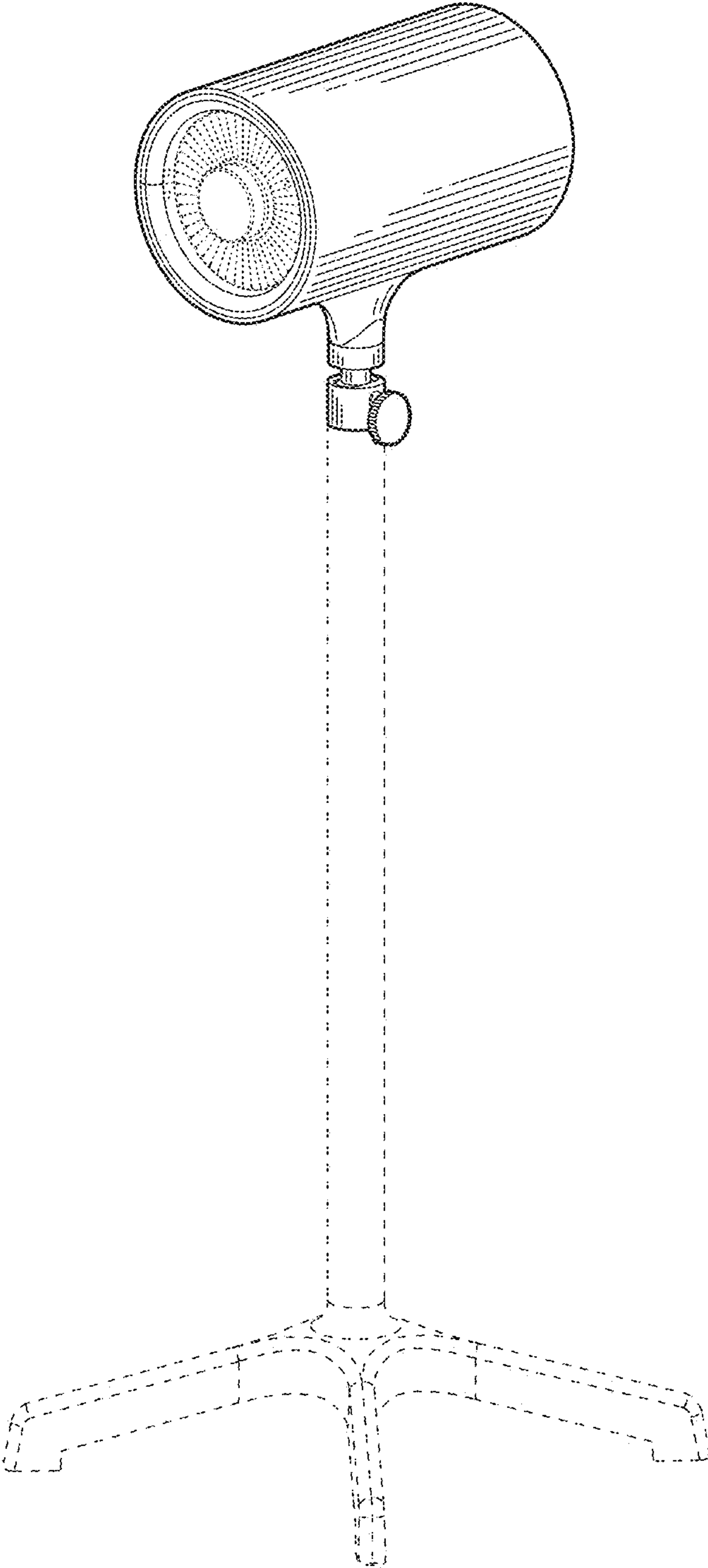


Fig. 2

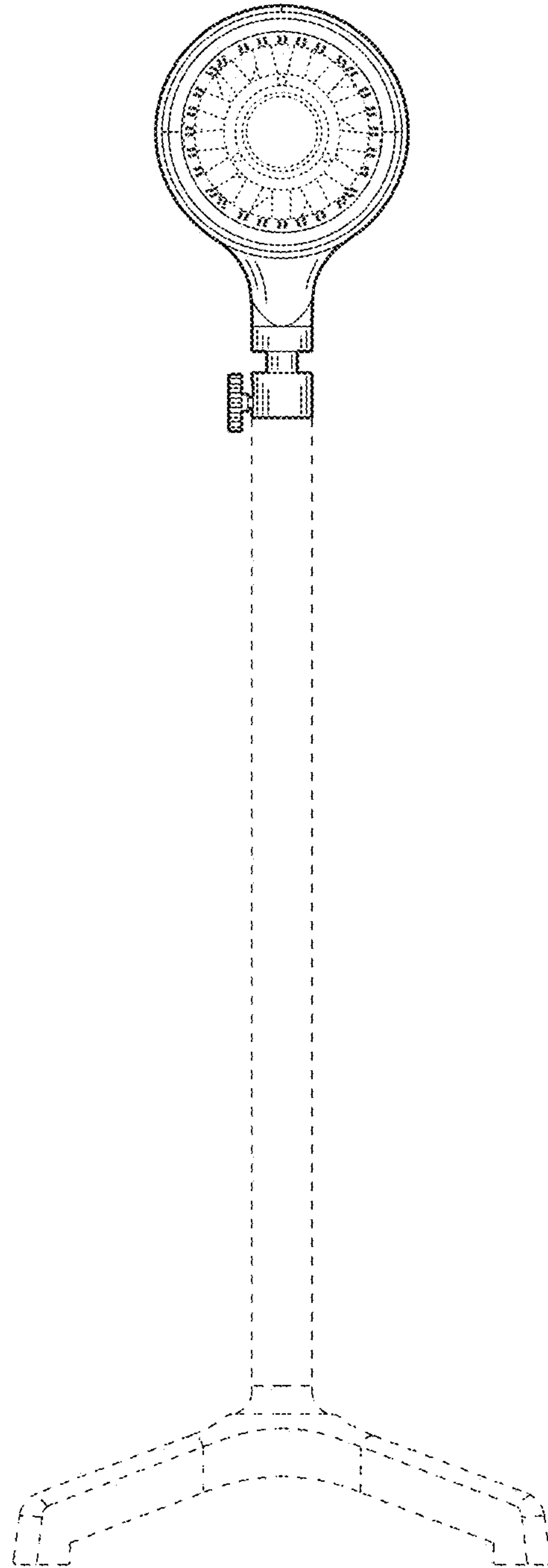


Fig. 3

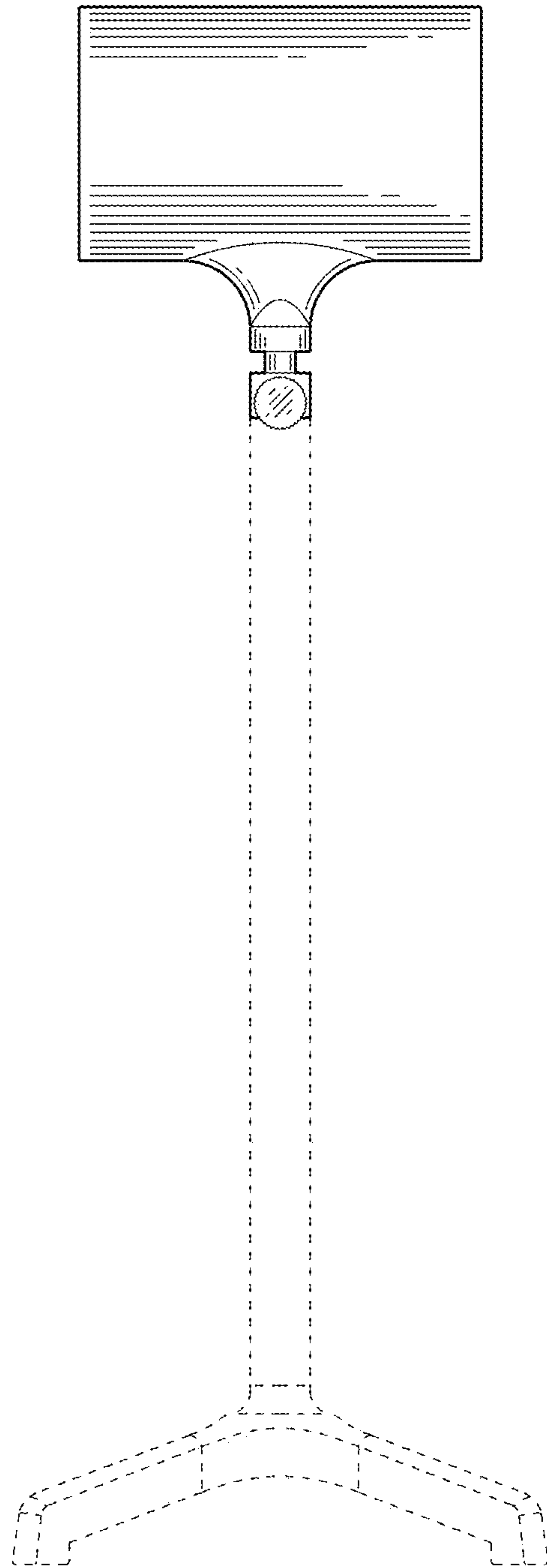


Fig. 4

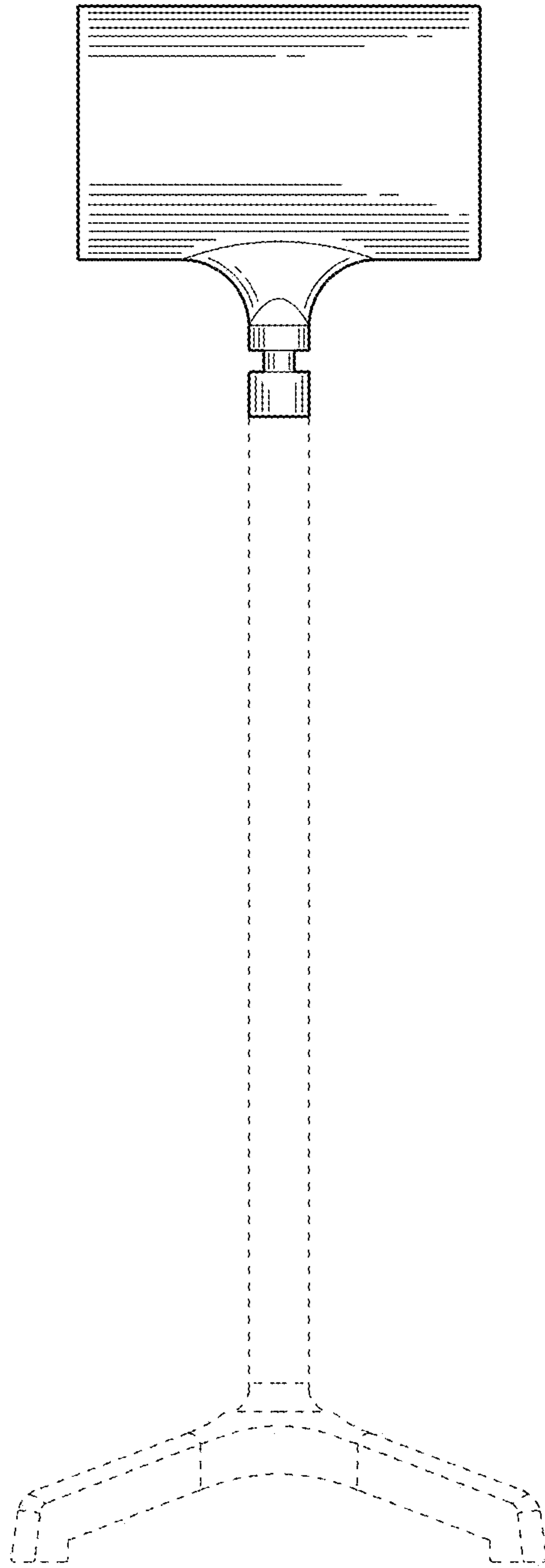


Fig. 5

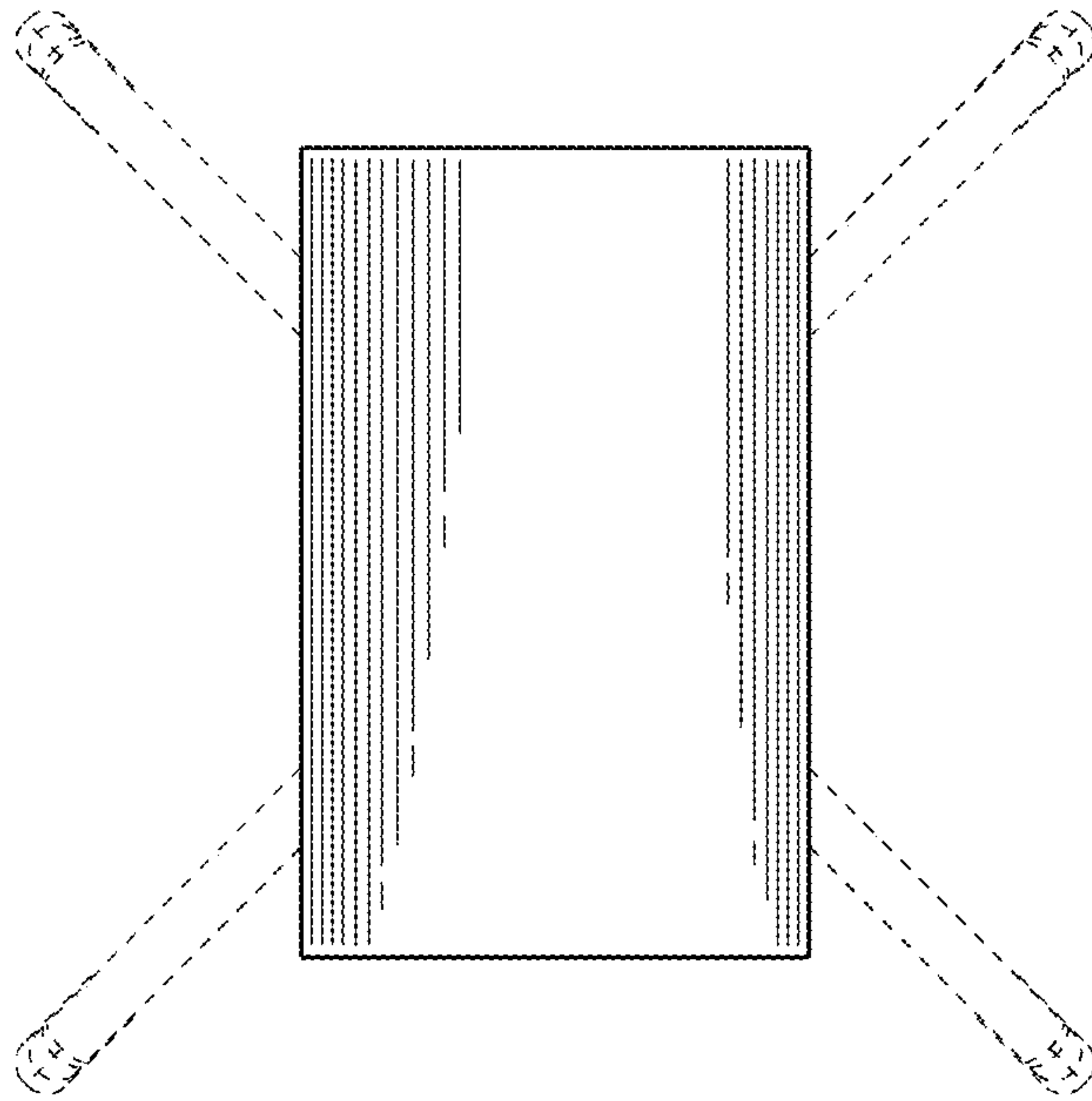


Fig. 6

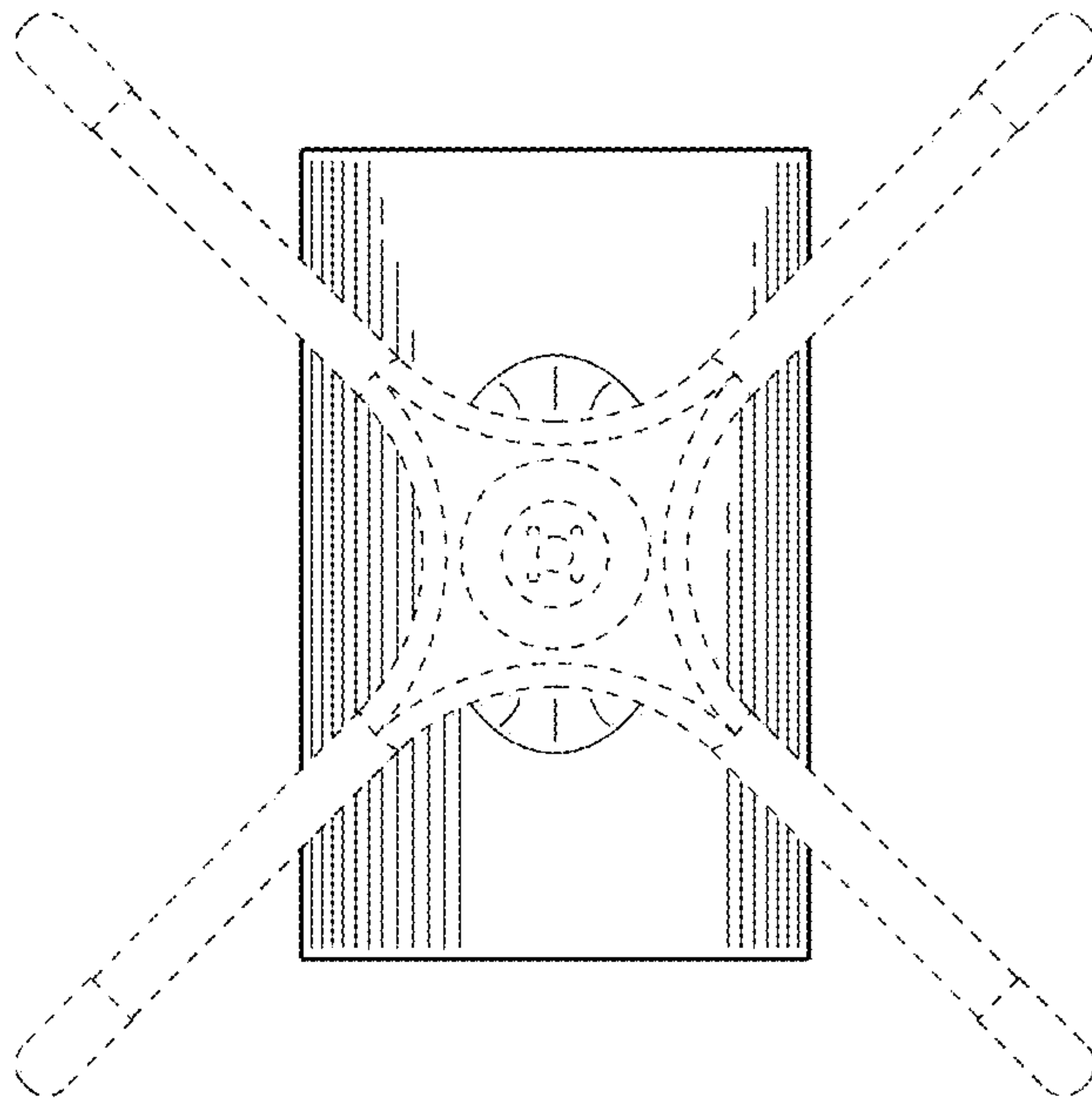


Fig. 7

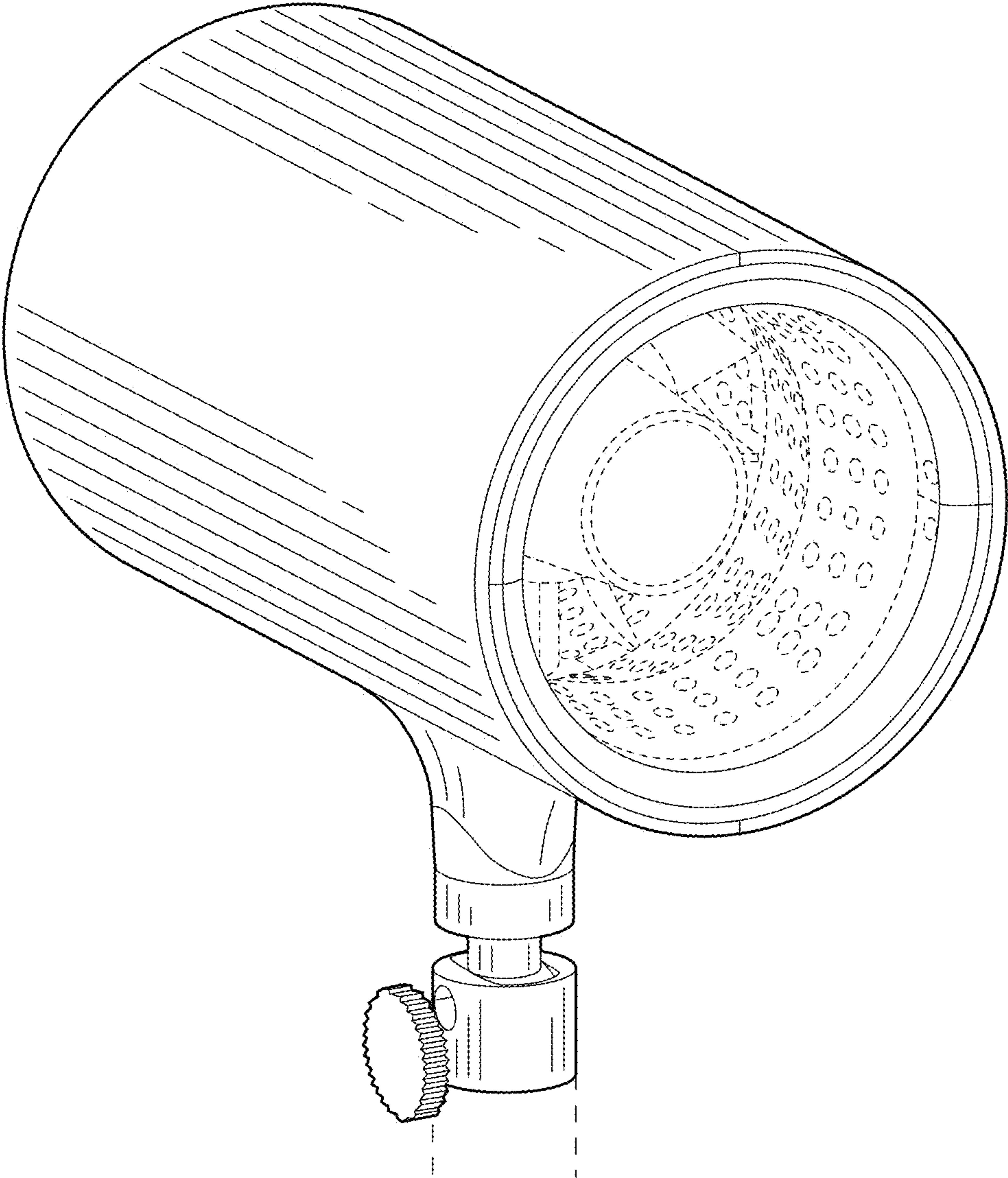


Fig. 8

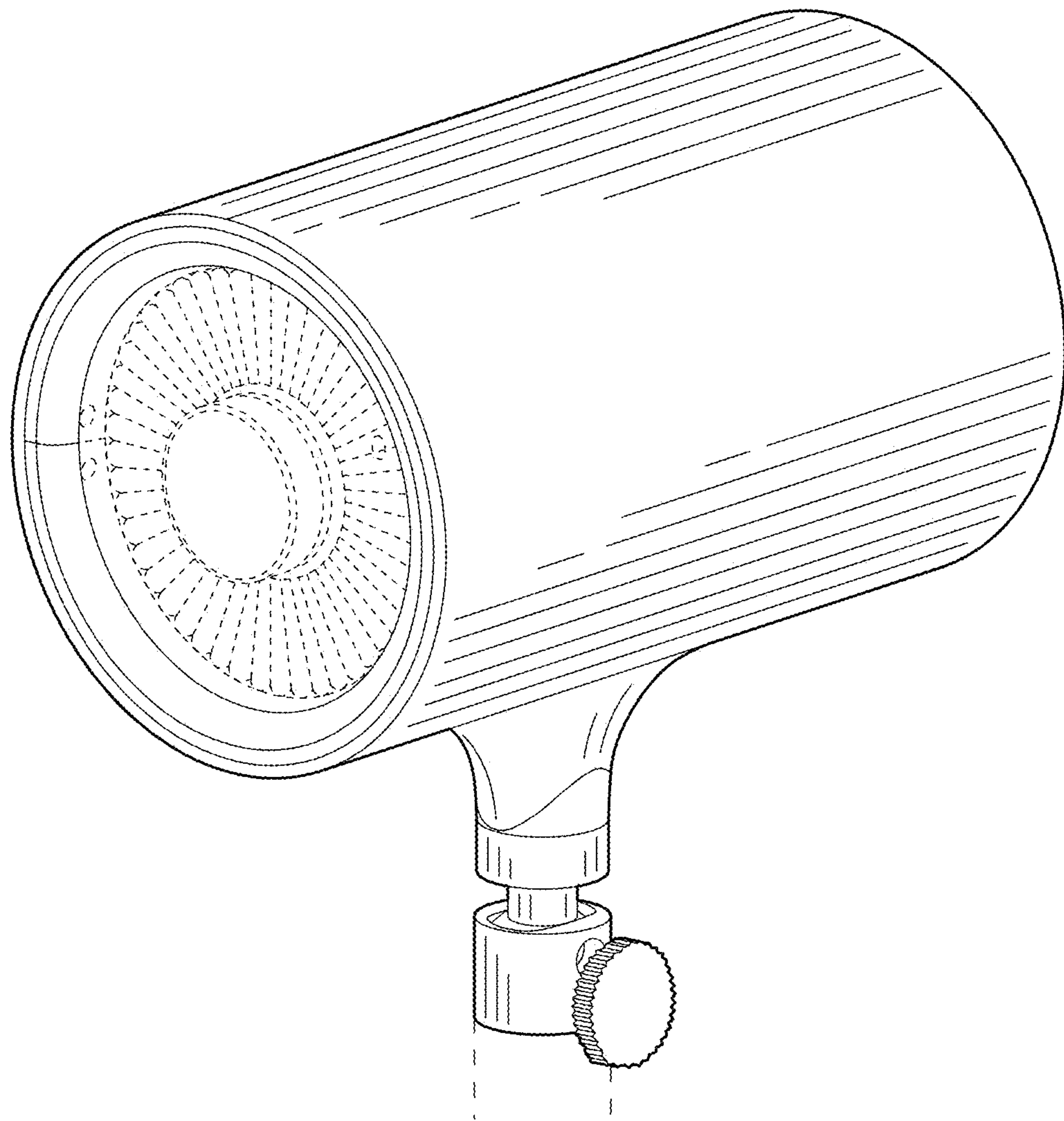


Fig. 9

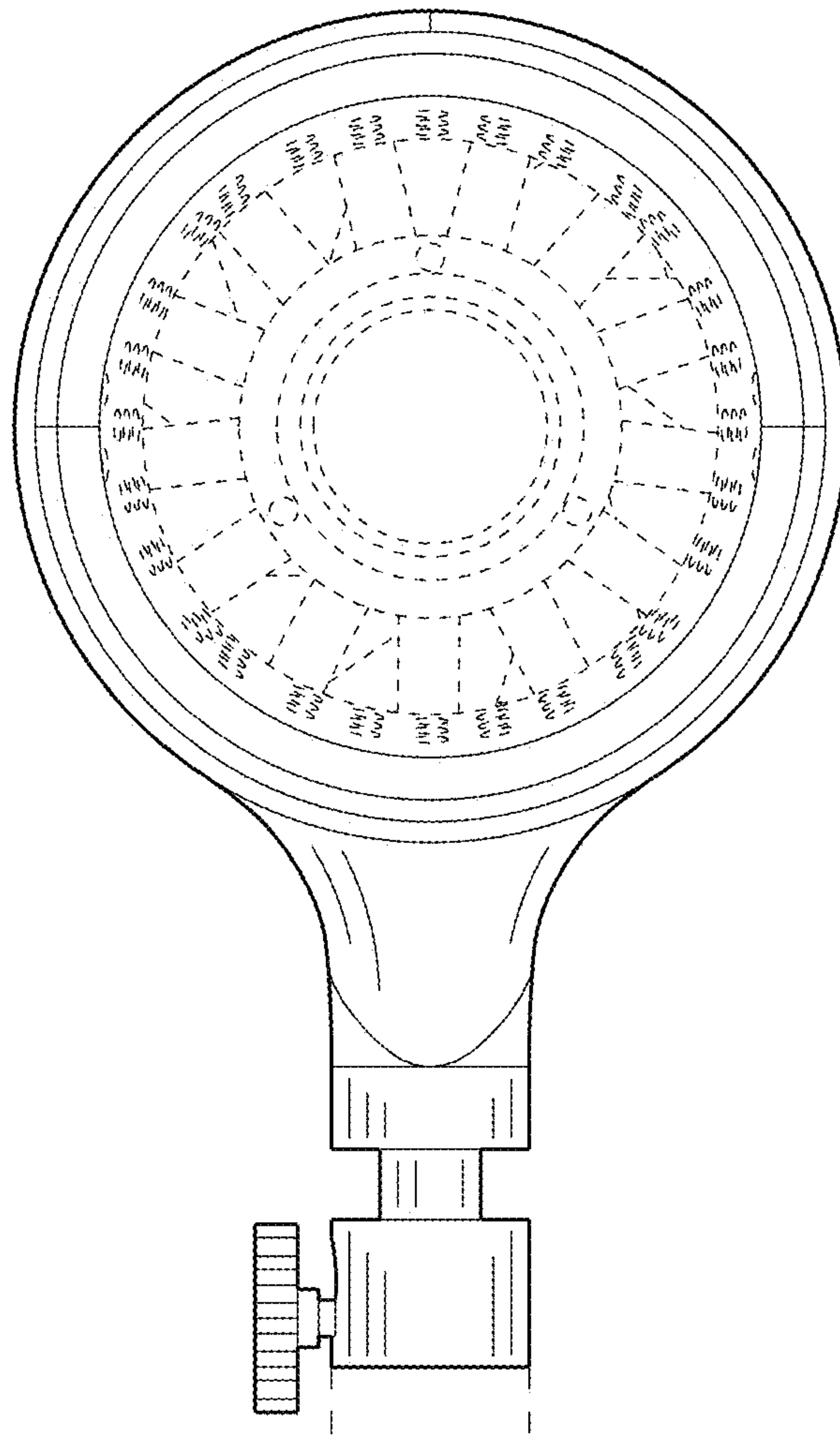


Fig. 10