



US00D936815S

(12) **United States Design Patent** (10) **Patent No.:** **US D936,815 S**
McRoberts (45) **Date of Patent:** **** Nov. 23, 2021**

(54) **CEILING FAN**

(71) Applicant: **Hunter Fan Company**, Memphis, TN (US)

(72) Inventor: **Claire Bernice McRoberts**, La Jolla, CA (US)

(73) Assignee: **Hunter Fan Company**, Memphis, TN (US)

(**) Term: **15 Years**

(21) Appl. No.: **29/710,565**

(22) Filed: **Oct. 24, 2019**

(51) **LOC (13) Cl.** **23-04**

(52) **U.S. Cl.**
USPC **D23/377**

(58) **Field of Classification Search**
USPC D23/370, 377, 379, 385, 411, 413
CPC F04D 25/088; F04D 29/38; F04D 29/384;
F04D 29/386; F21V 33/0096
See application file for complete search history.

(56) **References Cited**

U.S. PATENT DOCUMENTS

D344,794 S *	3/1994	Galler	D23/377
5,971,573 A *	10/1999	Bucher	F21V 33/0096 362/438
D483,463 S *	12/2003	Tai	D23/377
D486,215 S *	2/2004	Hsieh	D23/377
D535,421 S *	1/2007	Pickett	D26/59
D632,382 S *	2/2011	Pan	D23/377
D804,011 S *	11/2017	Holmes	D23/377
D804,632 S	12/2017	Holmes		
D804,637 S *	12/2017	Holmes	D23/377
D810,912 S *	2/2018	McRoberts	D23/377
D810,921 S *	2/2018	McRoberts	D23/377
D827,806 S *	9/2018	Biancuzzo	D23/377
D875,980 S *	2/2020	O'Connell	D26/59
D885,552 S *	5/2020	Holmes	D23/377
D890,398 S *	7/2020	Holmes	D26/59
D894,457 S *	8/2020	McRoberts	D26/59

OTHER PUBLICATIONS

<https://www.homedepot.com/p/Hunter-Crown-Canyon-52-in-Indoor-Regal-Bronze-Ceiling-Fan-53331/206775554>, Hunter Fan, Crown Canyon 52 in. Indoor Regal Bronze ceiling fan, Model No. 53331, accessed May 1, 2019.

<https://www.homedepot.com/p/Hunter-Bennett-52-in-LED-Indoor-Brushed-Nickel-Ceiling-Fan-with-3-Light-Kit-and-Handheld-Remote-Control-54190/304124171>, Hunter Fan, Bennett 52 in. Indoor Brushed Nickel Ceiling Fan with 3-Light Kit and Handheld Remote Control, Model No. 54190, accessed May 1, 2019.

(Continued)

Primary Examiner — Sharon S Oum

(74) *Attorney, Agent, or Firm* — McGarry Bair PC

(57) **CLAIM**

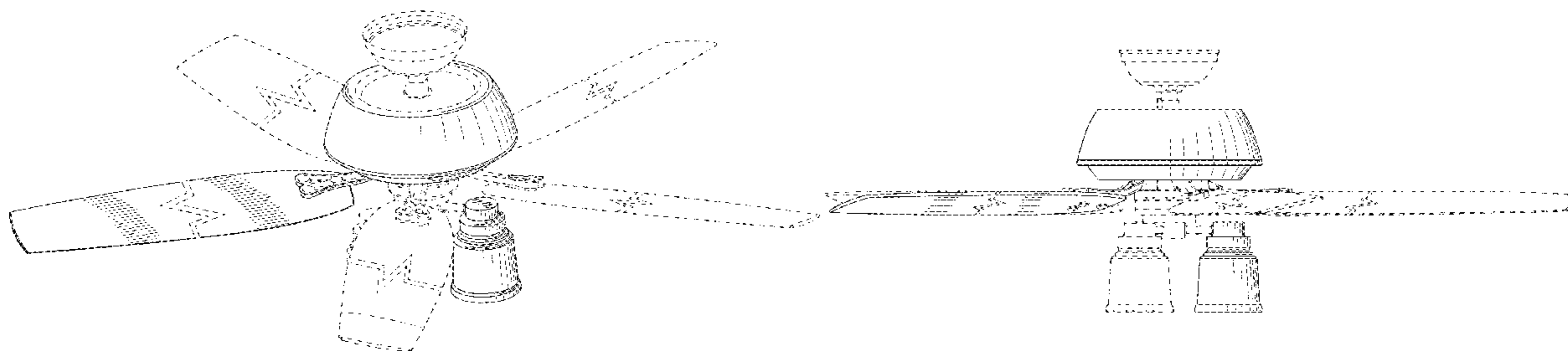
The ornamental design for a ceiling fan, as shown and described.

DESCRIPTION

FIG. 1 is a top perspective view of a ceiling fan, showing my new design;
FIG. 2 is a bottom perspective view thereof;
FIG. 3 is a top view thereof;
FIG. 4 is a bottom view thereof;
FIG. 5 is a right side view thereof;
FIG. 6 is a left side view thereof;
FIG. 7 is a rear view thereof; and,
FIG. 8 is a front view thereof.

Portions of the ceiling fan are shown in broken lines. Portions shown in broken lines form no part of the claimed design. Jagged break lines shown in broken lines represent broken away symbols and form no part of the claimed design. The appearance of any portion of the ceiling fan blades between jagged break lines forms no part of the claimed design.

1 Claim, 8 Drawing Sheets



(56)

References Cited

OTHER PUBLICATIONS

<https://www.homedepot.com/p/Hunter-Devon-Park-52-in-Indoor-Onyx-Bengal-Ceiling-Fan-with-Light-Kit-and-Handheld-Remote-Control-54201/306564188>, Hunter Fan, Devon Park 52" Indoor Onyx Bengal ceiling fan with light kit and handheld Remote Control, Model No. 54201, accessed May 3, 2019.

<https://www.homedepot.com/p/Hunter-Donagan-52-in-LED-Indoor-Brushed-Nickel-Ceiling-Fan-with-3-Light-53338/207198162>, Hunter Fan, Donegan 52 in LED Indoor Brushed Nickel Ceiling Fan with 3-Light, Model No. 53338, accessed May 1, 2019.

<https://www.menards.com/main/lighting-ceiling-fans/ceiling-fans/Indoor-ceiling-fans/lighting-ceiling-fans/ceiling-fans/indoor-ceiling-fans/lighting-ceiling-fans/ceiling-fans/indoor-ceiling-fans/turn-of-the-century-reg-lichfield-matte-black-vintage-indoor-ceiling-fan/20509/p-1444433460068-c-7488.htm?tid-1397564312031035783&ipos=40>, Turn of the Century, Litchfield 52" Matte Black Vintage Indoor Ceiling Fan, Model No. 20509, accessed May 1, 2019.

<https://www.homedepot.com/p/Hunter-Reveille-60-in-LED-Indoor-Noble-Bronze-Ceiling-Fan-with-Light-and-Remote-54173/301986859>, Hunter Fan, Reveille 60 in. Indoor Noble Bronze Ceiling Fan with Light and Remote, Model No. 54173, accessed May 1, 2019.

<https://www.homedepot.com/p/Casablanca-Durant-44-in-Indoor-Brushed-Nickel-Ceiling-Fan-with-Light-Kit-53187/300030823>, CASA-

BLANCA, Durant 44 in. Indoor Brushed Nickel ceiling fan with Light Kit, Model No. 53187, accessed May 1, 2019.

<https://www.lowes.com/pd/Harbor-Breeze-Centreville-42-in-Oil-rubbed-Bronze-LED-Indoor-Flush-Mount-Ceiling-Fan-with-Light-Kit-5-blade/1000195075>, Harbor Breeze, Centreville 42 in. Oil-rubbed Bronze LED Indoor Flush Mount ceiling fan with Light Kit (5-blade), accessed May 1, 2019.

<https://www.homedepot.com/p/Hampton-Bay-Luxenberg-36-in-LED-Brushed-Nickel-Ceiling-Fan-91136/304264266>, Hampton Bay, Luxenberg 36" LED Brushed Nickel Ceiling Fan, Model No. 91136, accessed May 1, 2019.

<https://www.homedepot.com/p/Hampton-Bay-Oakley-52-in-Indoor-Oil-Brushed-Bronze-Ceiling-Fan-with-Light-Kit-AC413A-OBB/204062212>, Hampton Bay, Oakley 52 in. Indoor Oil-Brushed Bronze Ceiling Fan with Light Kit, Model No. AC413A-ORB, accessed May 1, 2019.

<https://www.fanimation.com/products/index.php/fans/aire-deluxe-52.html>, FANIMATION, 52 in. Aire Deluxe Ceiling Fan, Model No. FP6284, accessed Apr. 29, 2019.

<http://www.montecarlofans.com/33304/52-Light-Cast-Max-5LCM52RB.html>, Monte Carlo, 52" Light Cast Max, Roman Breeze Ceiling Fan, Model No. 5LCM52RB, accessed Apr. 29, 2019.

http://www.quoruminternational.com/search_individual_result.asp?current=958303&page=1, QUORUM International, Apex 56" Ceiling Fan, Black, Item No. 90565-69, accessed Apr. 29, 2019.

* cited by examiner

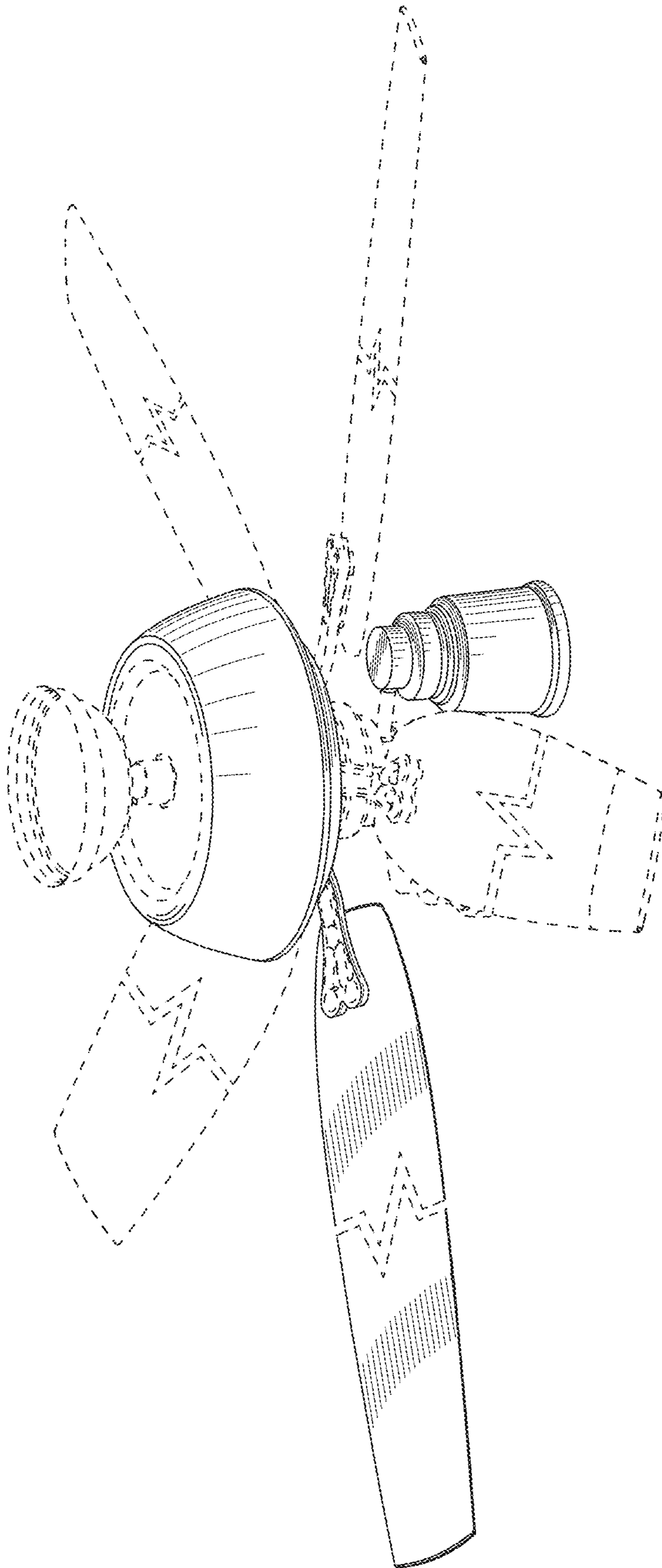


FIG. 1

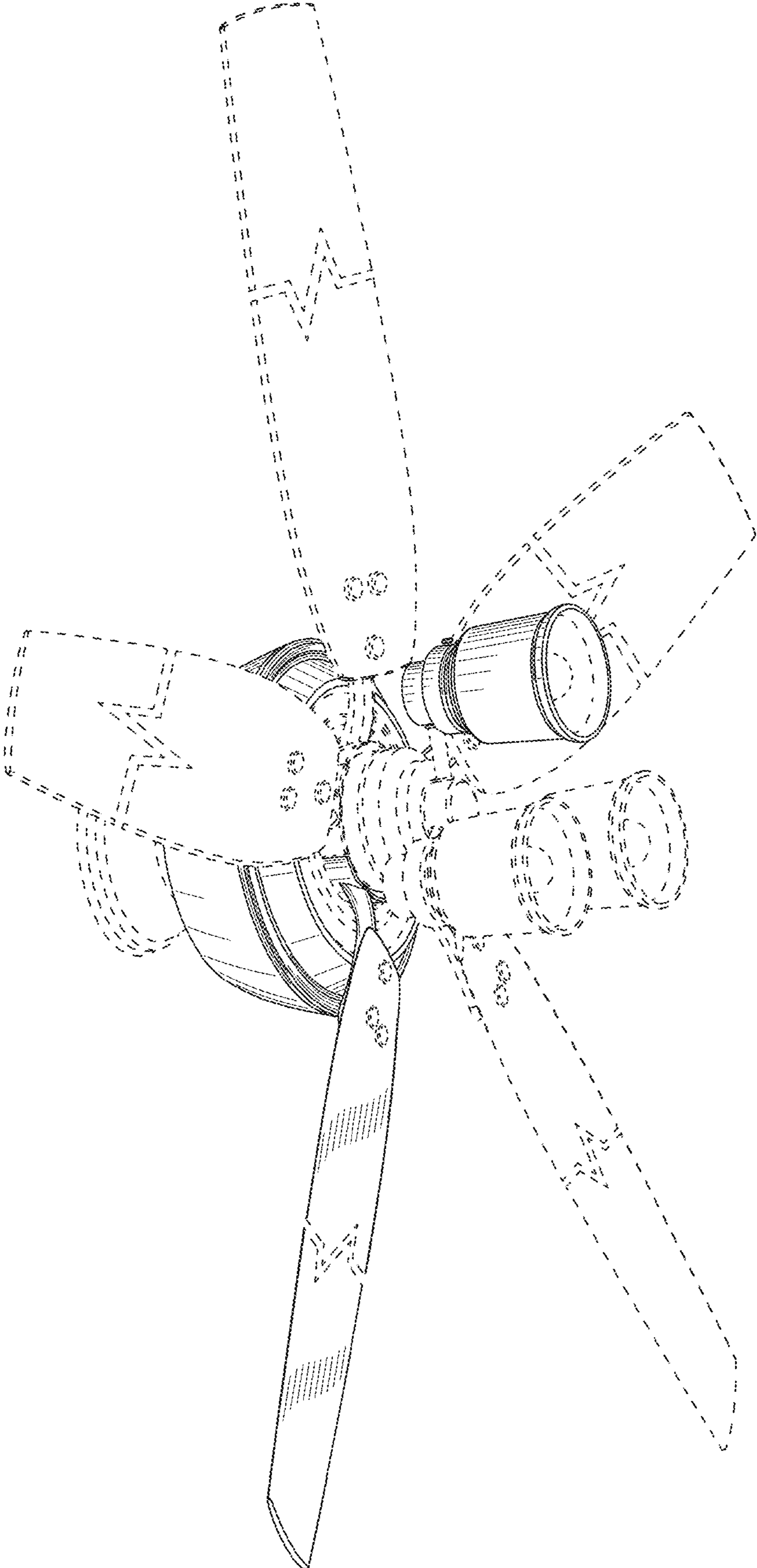


FIG. 2

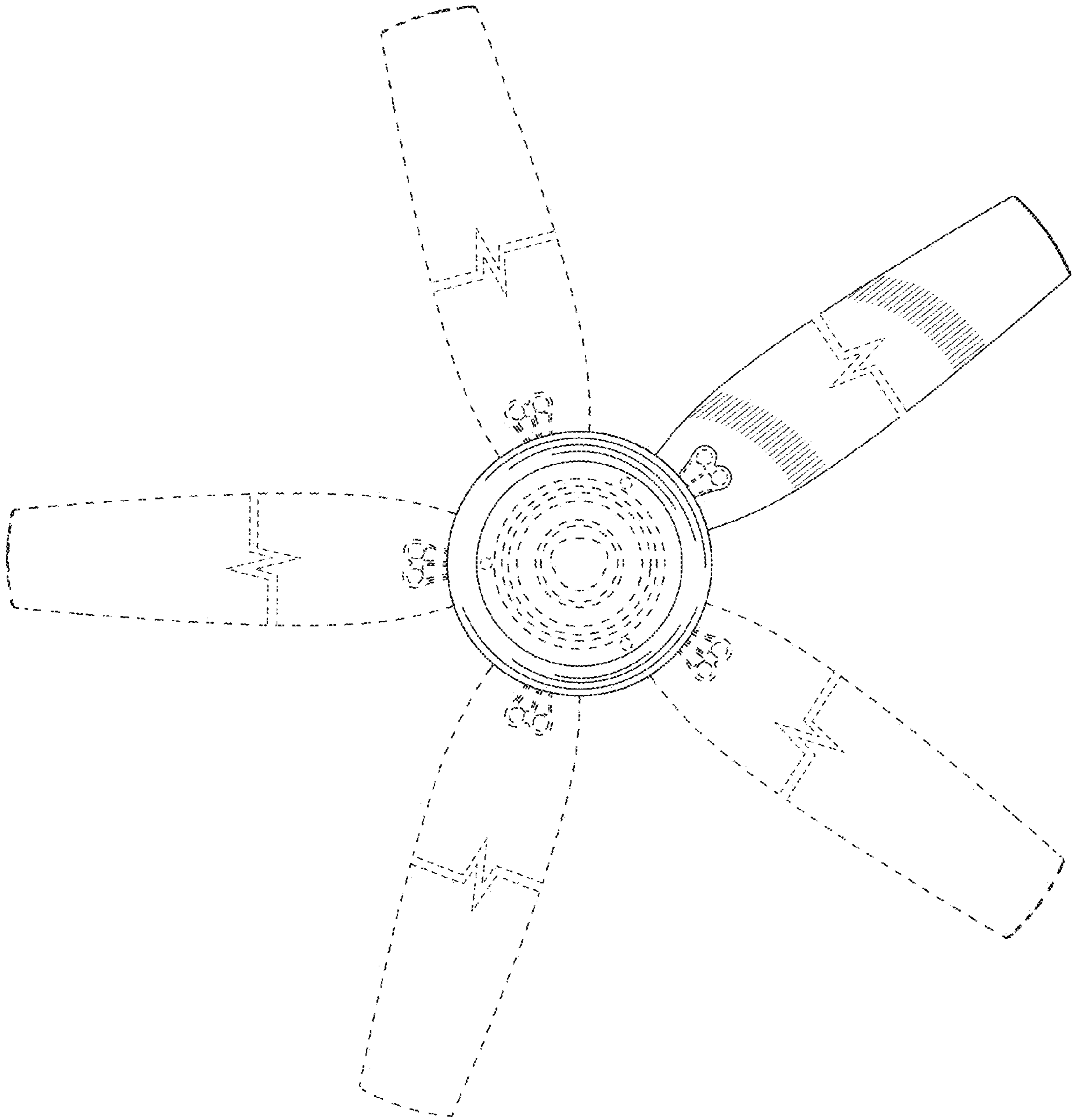


FIG. 3

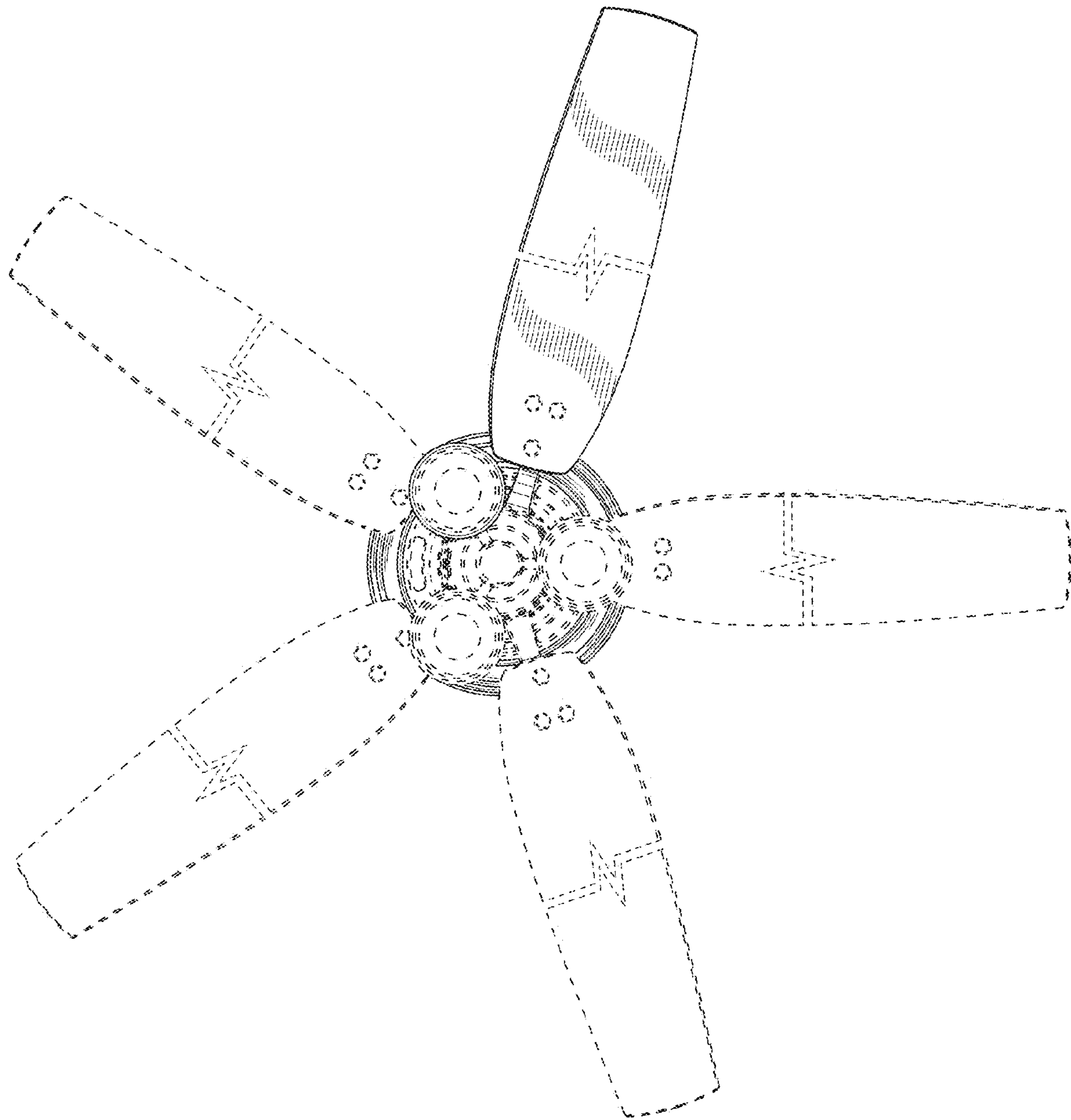


FIG. 4

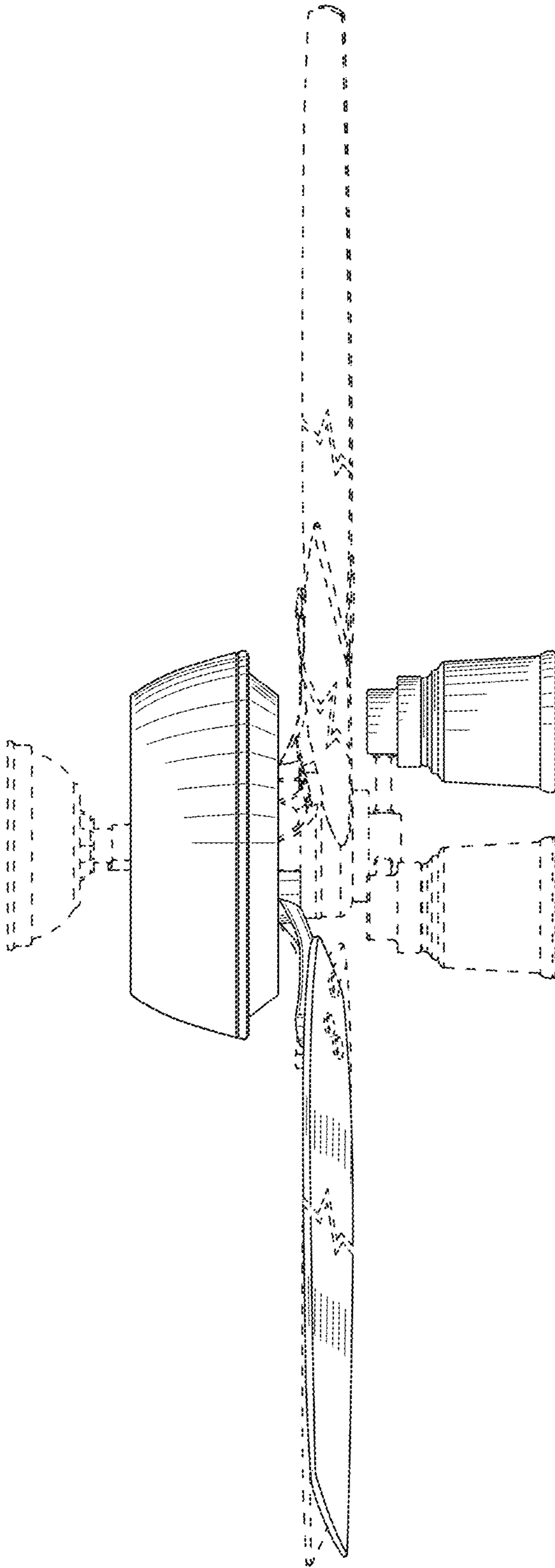


FIG. 5

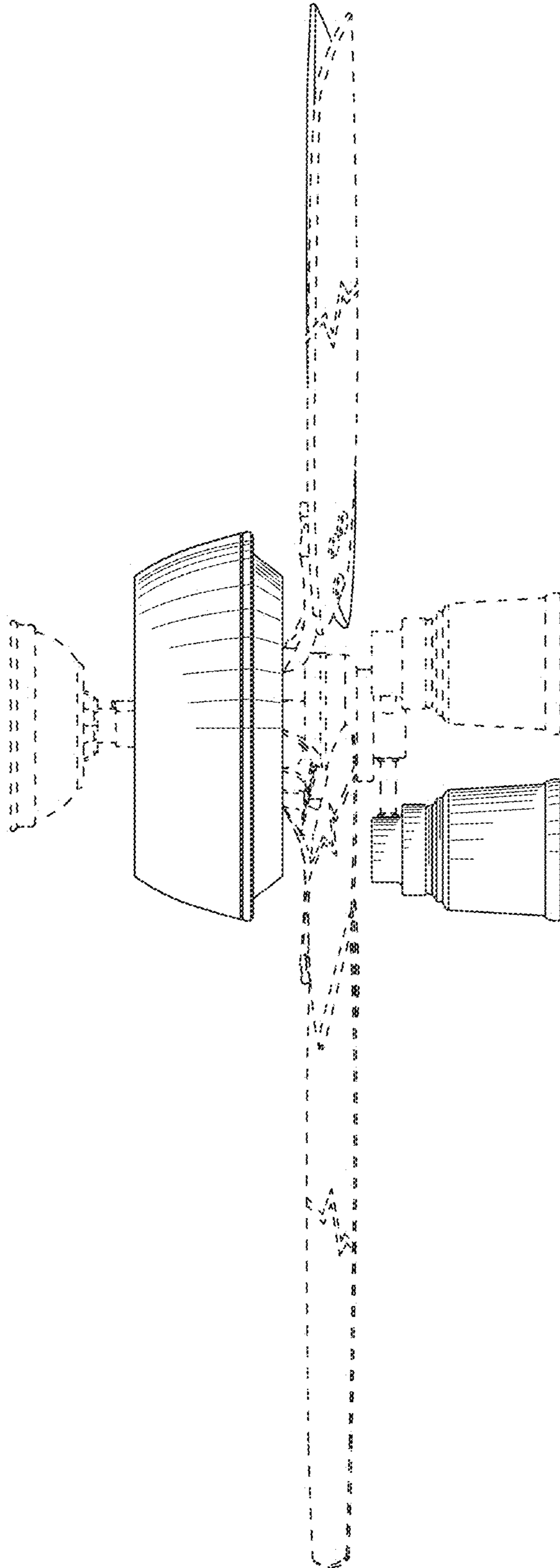


FIG. 6

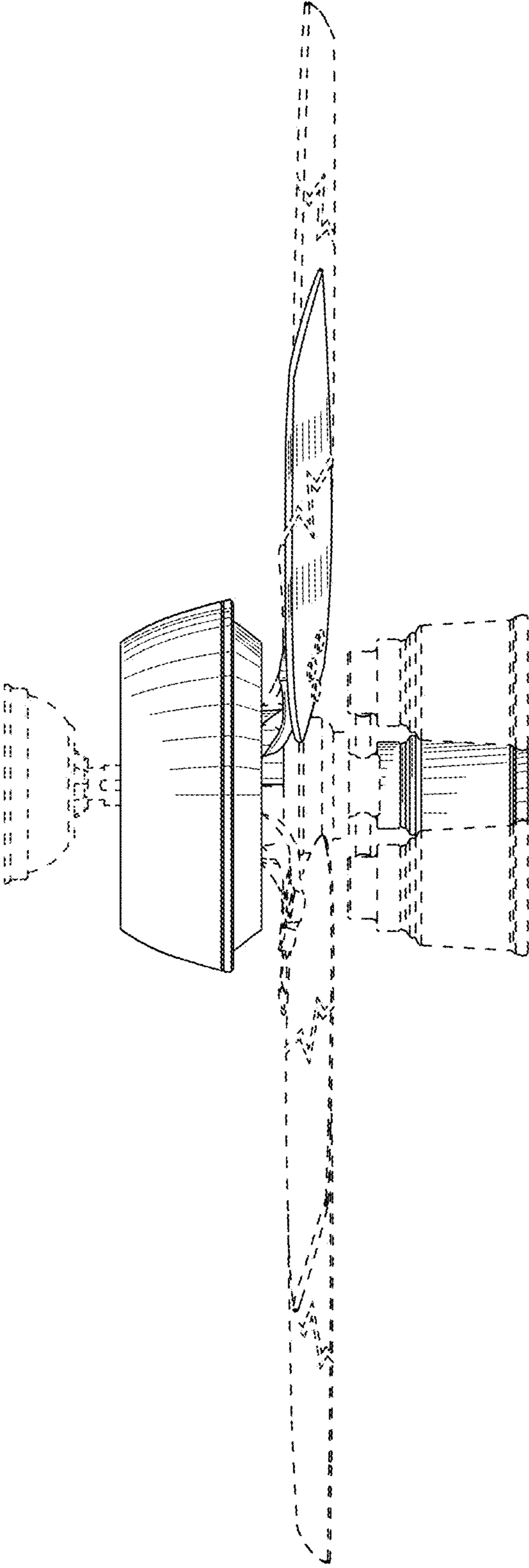


FIG. 7

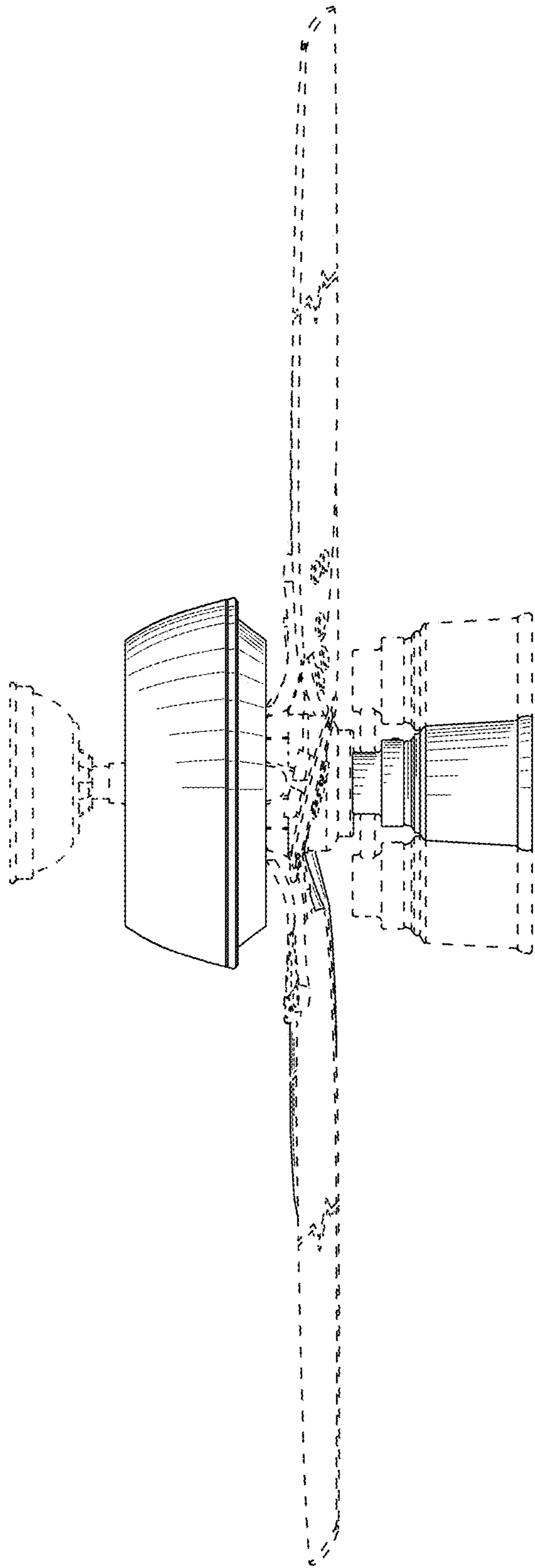


FIG. 8