



US00D936812S

(12) **United States Design Patent** (10) **Patent No.:** **US D936,812 S**
Williams (45) **Date of Patent:** **** Nov. 23, 2021**

(54) **CEILING FAN**

(74) *Attorney, Agent, or Firm* — Brooks Kushman P.C.

(71) Applicant: **Kichler Lighting LLC**, Cleveland, OH (US)

(57) **CLAIM**

I claim the ornamental design for a ceiling fan, as shown and described.

(72) Inventor: **Scott Williams**, Brookpark, OH (US)

DESCRIPTION

(73) Assignee: **Kichler Lighting LLC**, Cleveland, OH (US)

(**) Term: **15 Years**

(21) Appl. No.: **29/664,957**

(22) Filed: **Sep. 28, 2018**

(51) **LOC (13) Cl.** **23-04**

(52) **U.S. Cl.**
USPC **D23/377**

(58) **Field of Classification Search**
USPC D23/370, 377, 385, 413–414; D26/59
CPC F04D 25/088; F04D 29/38; F04D 29/384;
F04D 29/386

See application file for complete search history.

(56) **References Cited**

U.S. PATENT DOCUMENTS

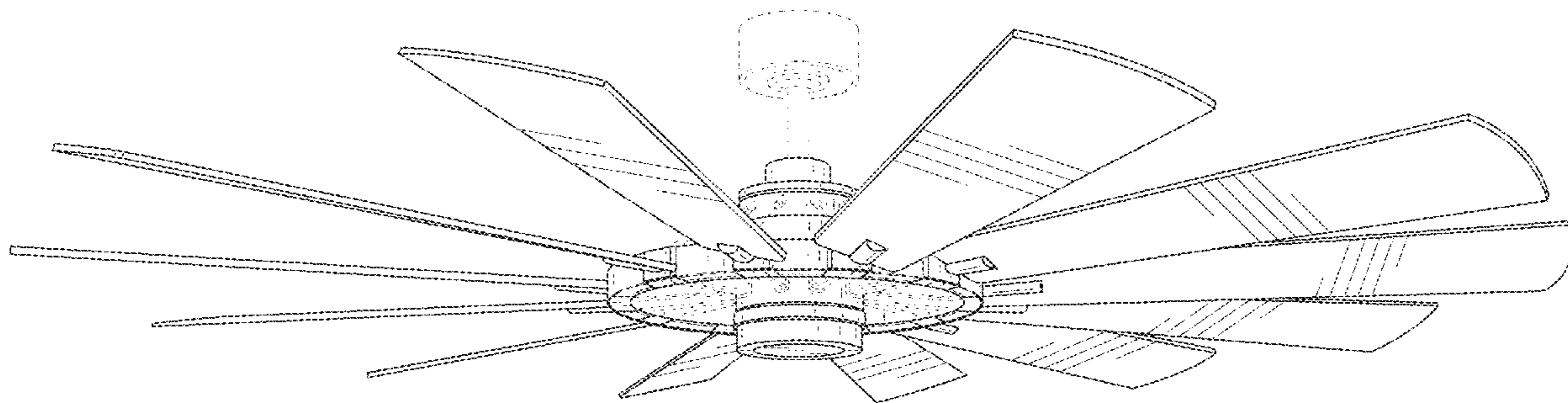
1,377,328	A *	5/1921	Eggerth	F03D 7/0224 416/53
3,980,028	A	9/1976	Ginsburg		
4,064,427	A *	12/1977	Hansen	F21S 8/065 362/96
4,175,360	A	11/1979	Mulvey		
D279,293	S *	6/1985	Sutz	D15/1
5,151,011	A	9/1992	Rezek		
5,975,724	A	11/1999	Pallanes		
6,004,005	A	12/1999	Demshki, Jr.		
6,250,884	B1	6/2001	Huang		
6,354,801	B1	3/2002	Gajewski		

(Continued)

Primary Examiner — Sharon S Oum

FIG. 1 is a bottom perspective view of a ceiling fan showing a first embodiment of my new design.
 FIG. 2 is a top perspective view of the ceiling fan of FIG. 1, and FIG. 2A is a partially enlarged view of FIG. 2.
 FIG. 3 is a top plan view of the ceiling fan of FIG. 1, and FIG. 3A is a partially enlarged view of FIG. 3.
 FIG. 4 is a bottom plan view of the ceiling fan of FIG. 1, and FIG. 4A is a partially enlarged view of FIG. 4.
 FIG. 5 is a first side elevation view of the ceiling fan of FIG. 1, and FIG. 5A is a partially enlarged view of FIG. 5.
 FIG. 6 is a second side elevation view of the ceiling fan of FIG. 1, and FIG. 6A is a partially enlarged view of FIG. 6.
 FIG. 7 is a plan view of a fan blade of the ceiling fan of FIG. 1 shown separately for completeness of illustration.
 FIG. 8 is a bottom perspective view of a ceiling fan showing a second embodiment of my new design.
 FIG. 9 is a top perspective view of the ceiling fan of FIG. 8.
 FIG. 10 is a top plan view of the ceiling fan of FIG. 8, and FIG. 10A is a partially enlarged view of FIG. 10.
 FIG. 11 is a bottom plan view of the ceiling fan of FIG. 8, and FIG. 11A is a partially enlarged view of FIG. 11.
 FIG. 12 is a first side elevation view of the ceiling fan of FIG. 8, and FIG. 12A is a partially enlarged view of FIG. 12.
 FIG. 13 is a second side elevation view of the ceiling fan of FIG. 8, and FIG. 13A is a partially enlarged view of FIG. 13; and,
 FIG. 14 is a plan view of a fan blade of the ceiling fan of FIG. 8 shown separately for completeness of illustration.
 The broken lines on the drawings depict portions of the ceiling fan that for no part of the claimed design.

1 Claim, 12 Drawing Sheets



(56)

References Cited

U.S. PATENT DOCUMENTS

6,517,316	B1	2/2003	Gajewski	
D512,497	S *	12/2005	Young	D23/377
D535,387	S	1/2007	Gajewski	
D535,388	S	1/2007	Gajewski	
7,481,626	B2	1/2009	Gajewski	
D614,757	S	4/2010	Noble	
8,147,204	B2	4/2012	Scherer et al.	
D692,120	S	10/2013	Noble et al.	
D703,805	S *	4/2014	Masciarella	D23/414
D706,970	S *	6/2014	Wang	D26/59
D715,419	S	10/2014	Schulzman	
D715,421	S	10/2014	Schulzman	
D745,956	S *	12/2015	Ertze	D23/385
D750,213	S	2/2016	Schulzman	
D770,027	S	10/2016	Noble et al.	
D777,312	S *	1/2017	Badarello	D23/377
D785,155	S *	4/2017	Wang	D23/377
D799,668	S *	10/2017	Wang	D23/377
D807,492	S	1/2018	Hidalgo	
D807,493	S	1/2018	Hidalgo	
D808,004	S	1/2018	Noble et al.	
D813,370	S *	3/2018	Li	D23/377
D816,826	S *	5/2018	Johnson	D23/377
D860,430	S *	9/2019	Orozco	D23/377
D860,434	S *	9/2019	Orozco	D23/414
10,465,693	B2 *	11/2019	Johnson	F04D 29/644
D900,296	S *	10/2020	Johnson	D23/377
D915,577	S *	4/2021	Pickett	D23/377
2018/0172014	A1 *	6/2018	Johnson	F04D 29/38

* cited by examiner

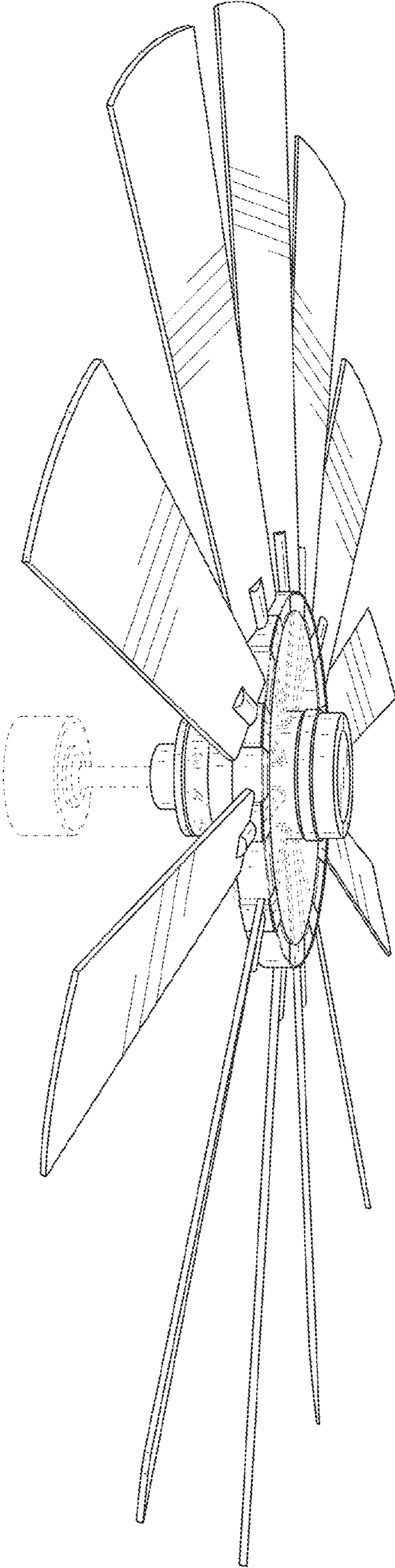


FIG. 1

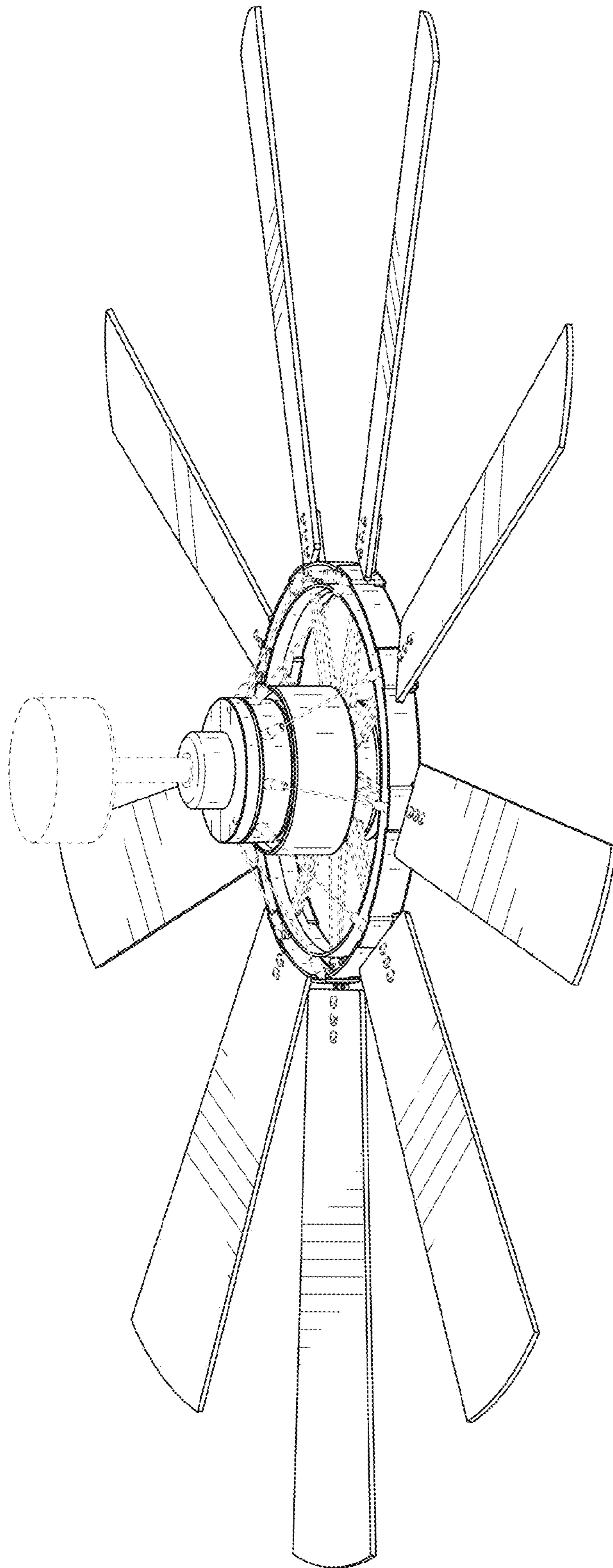


FIG. 2

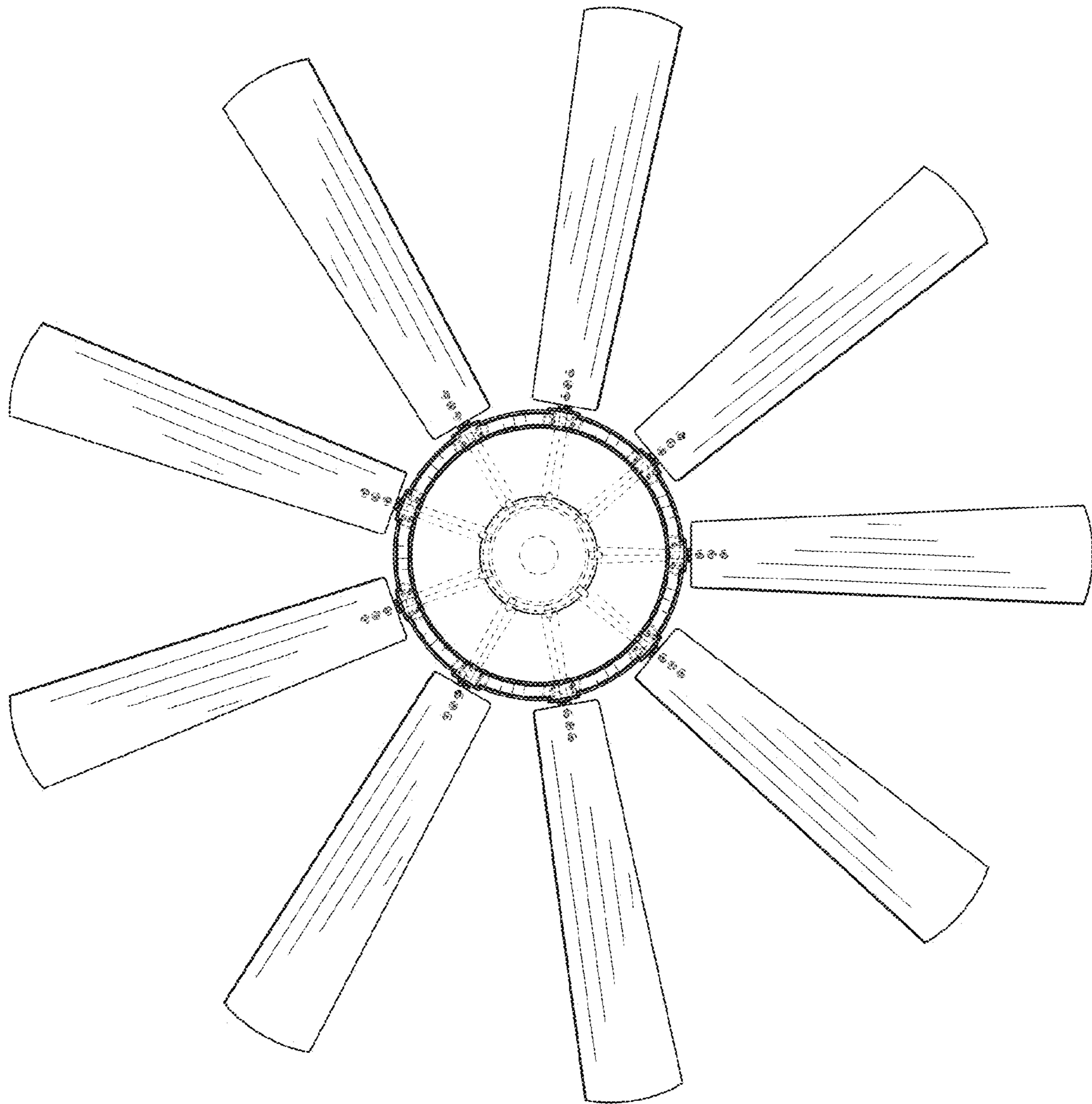


FIG. 3

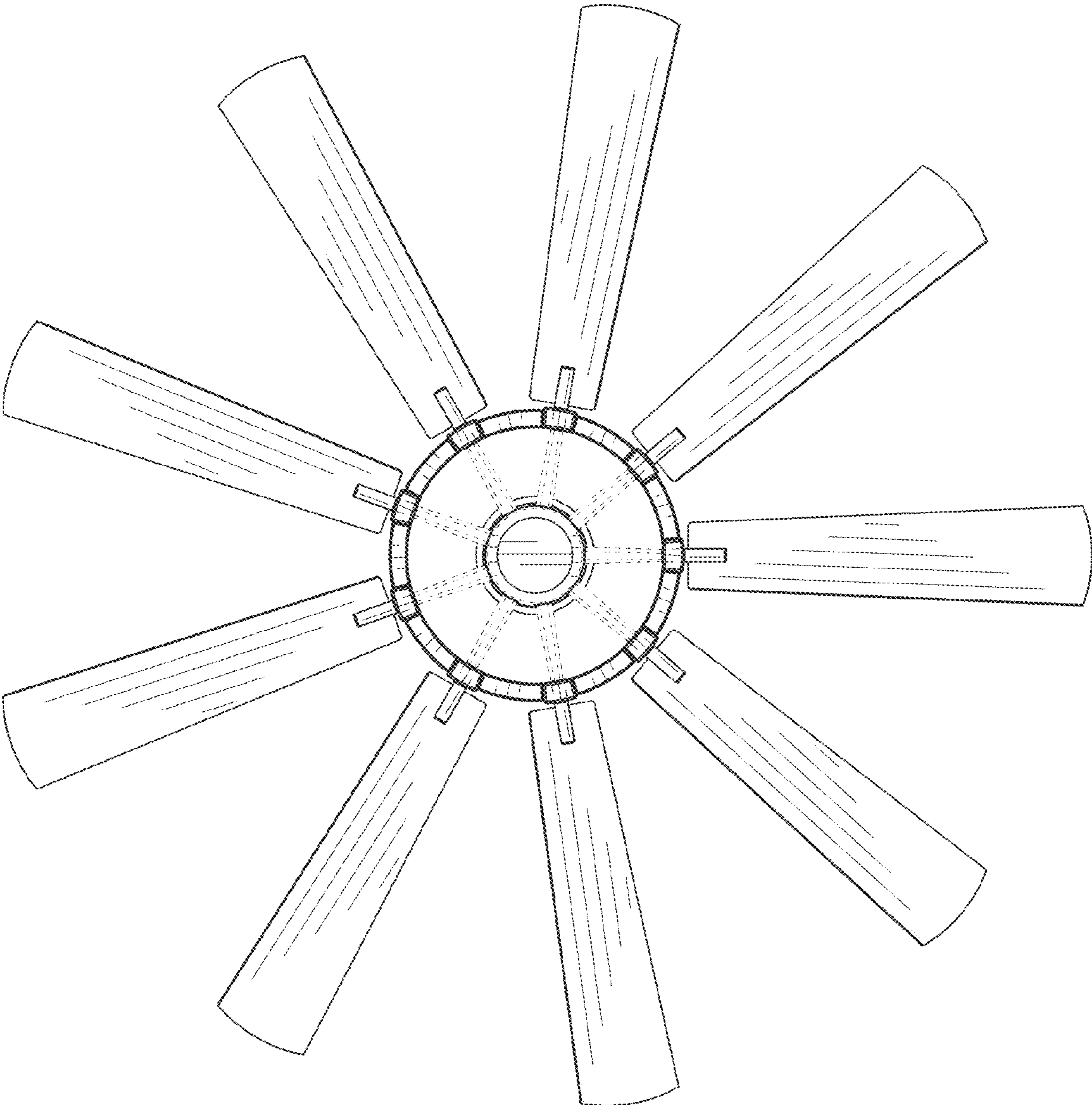


FIG. 4

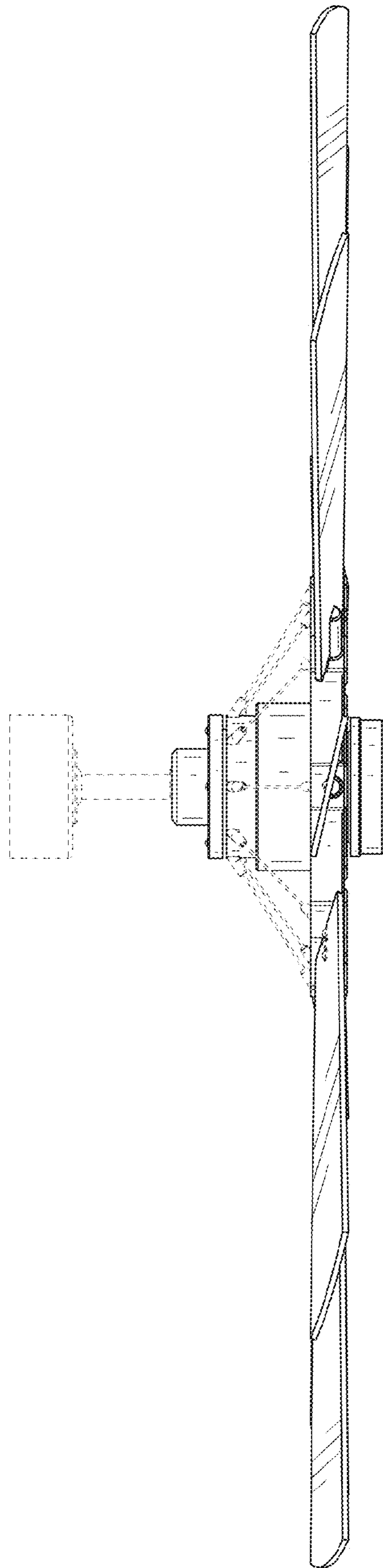


FIG. 5

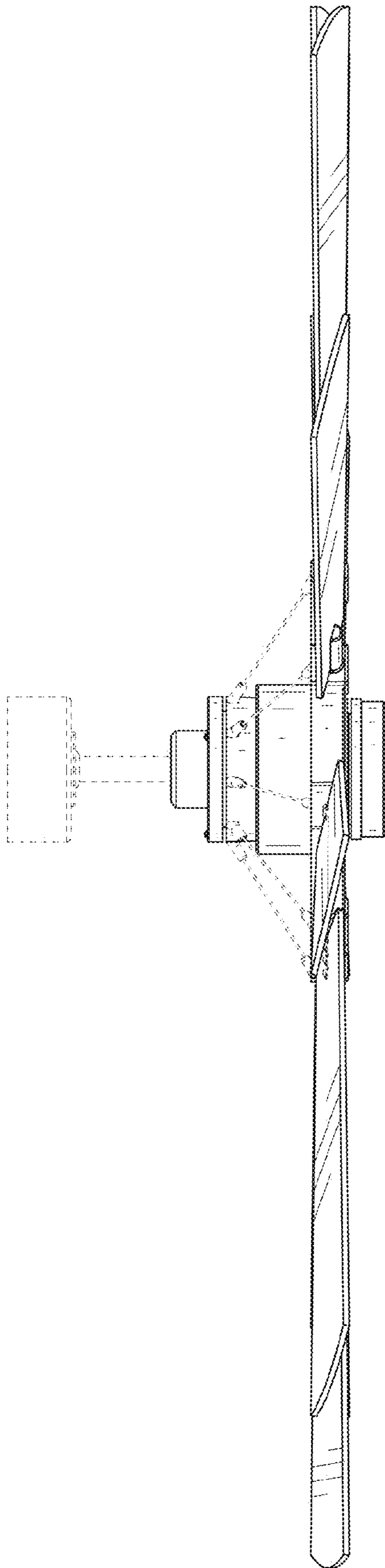


FIG. 6

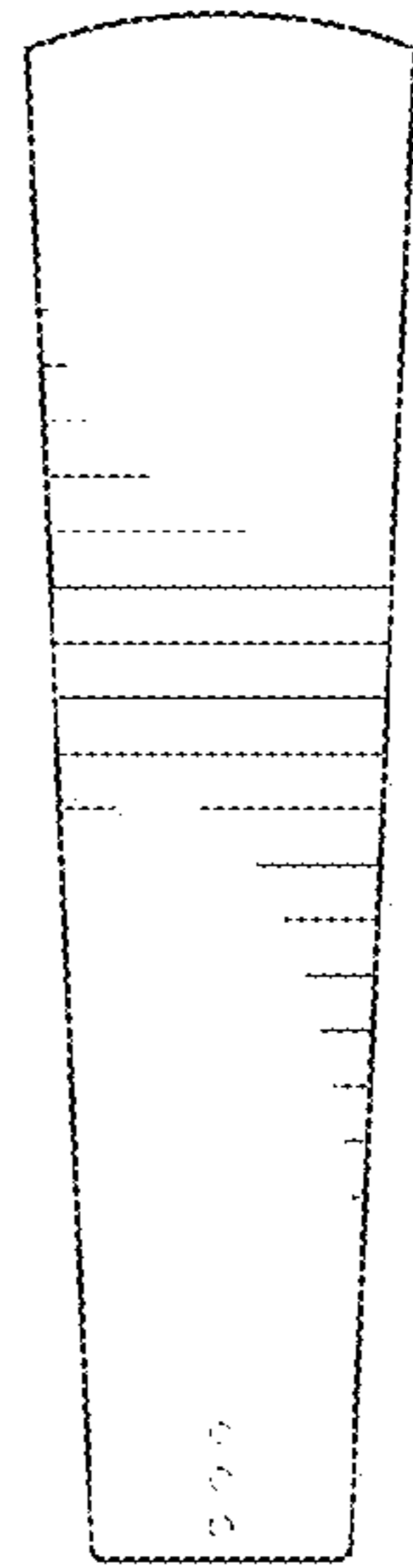


FIG. 7

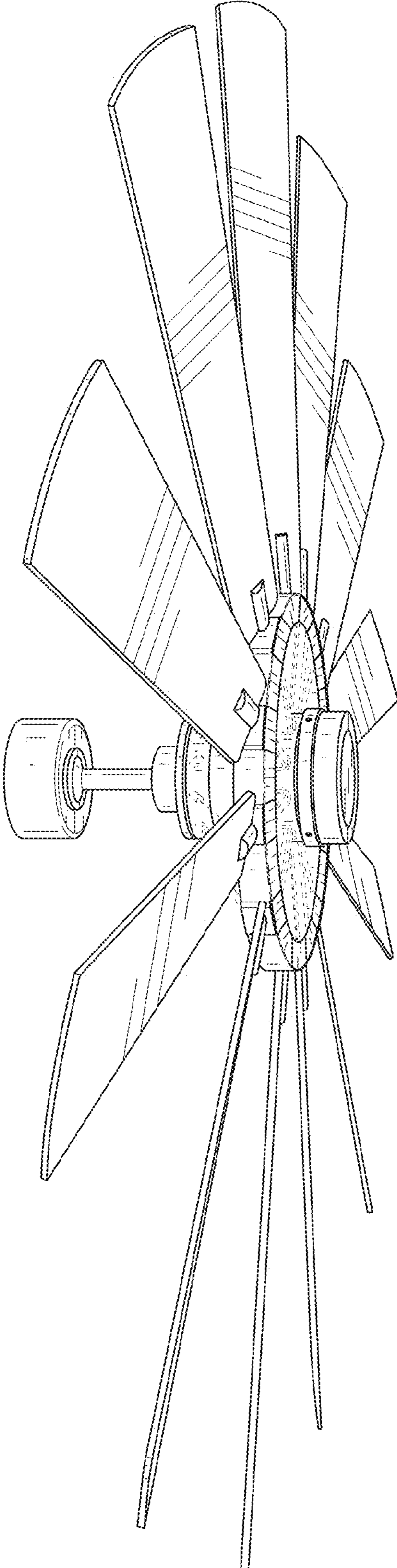


FIG. 8

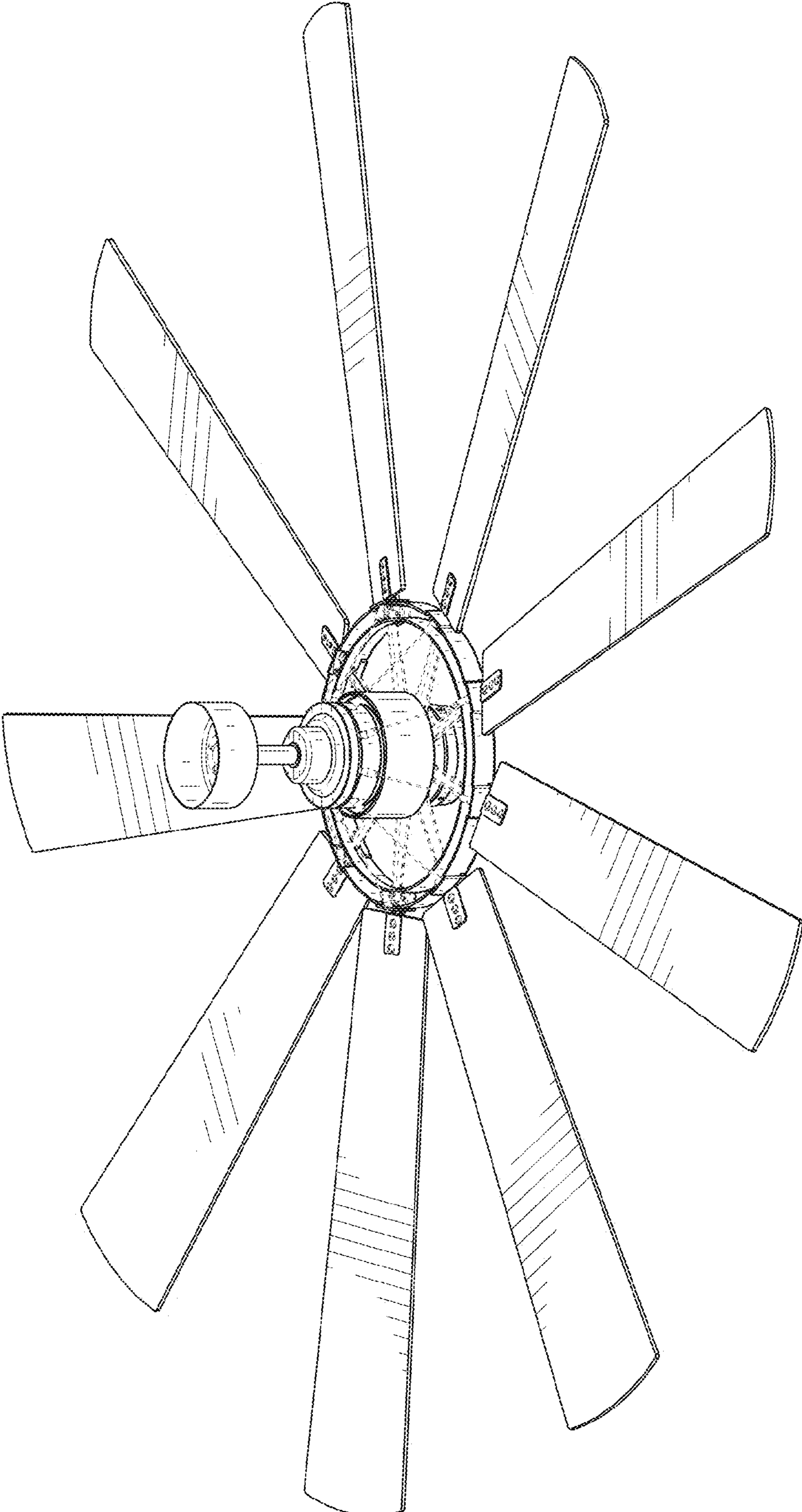


FIG. 9

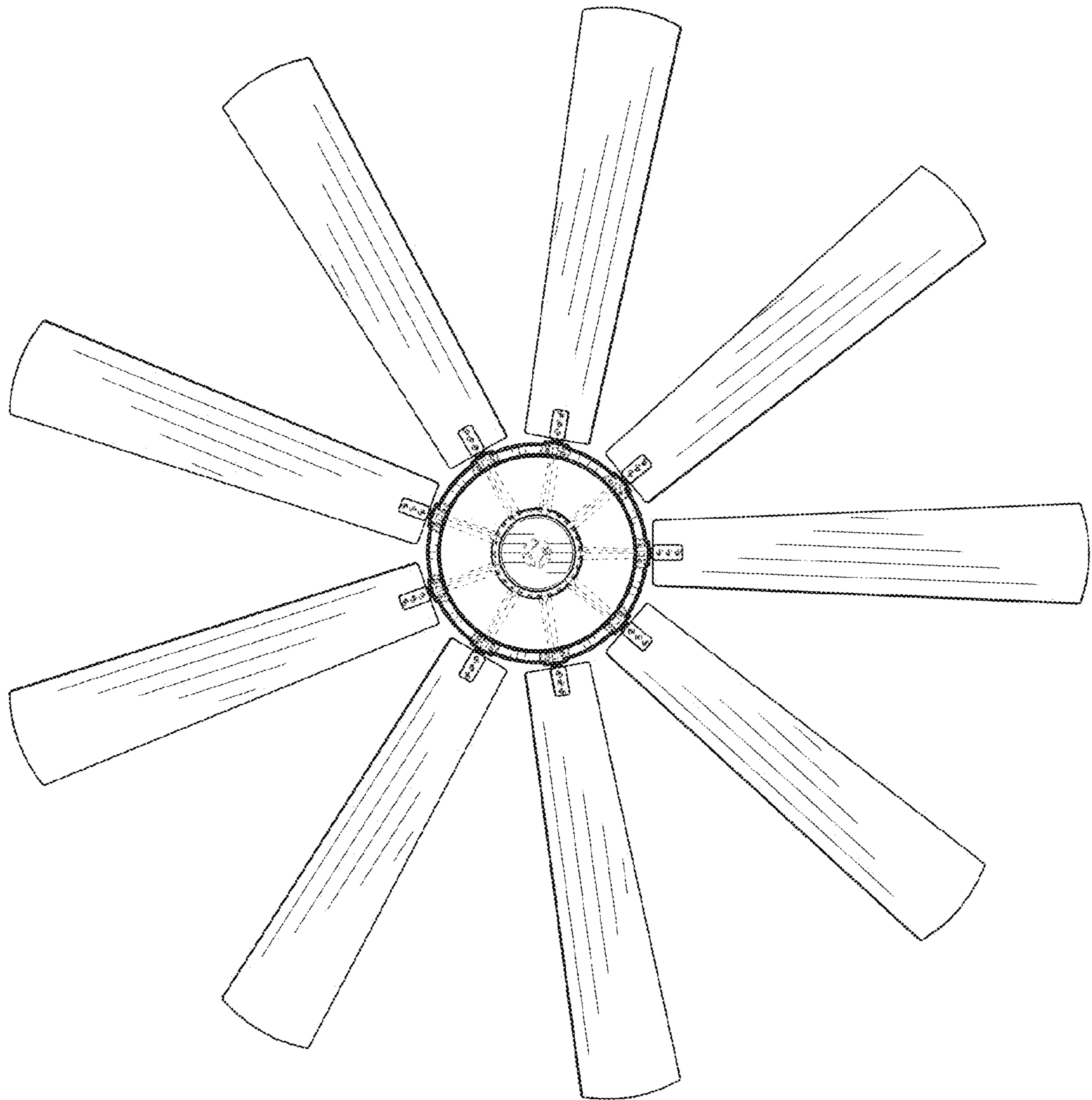


FIG. 10

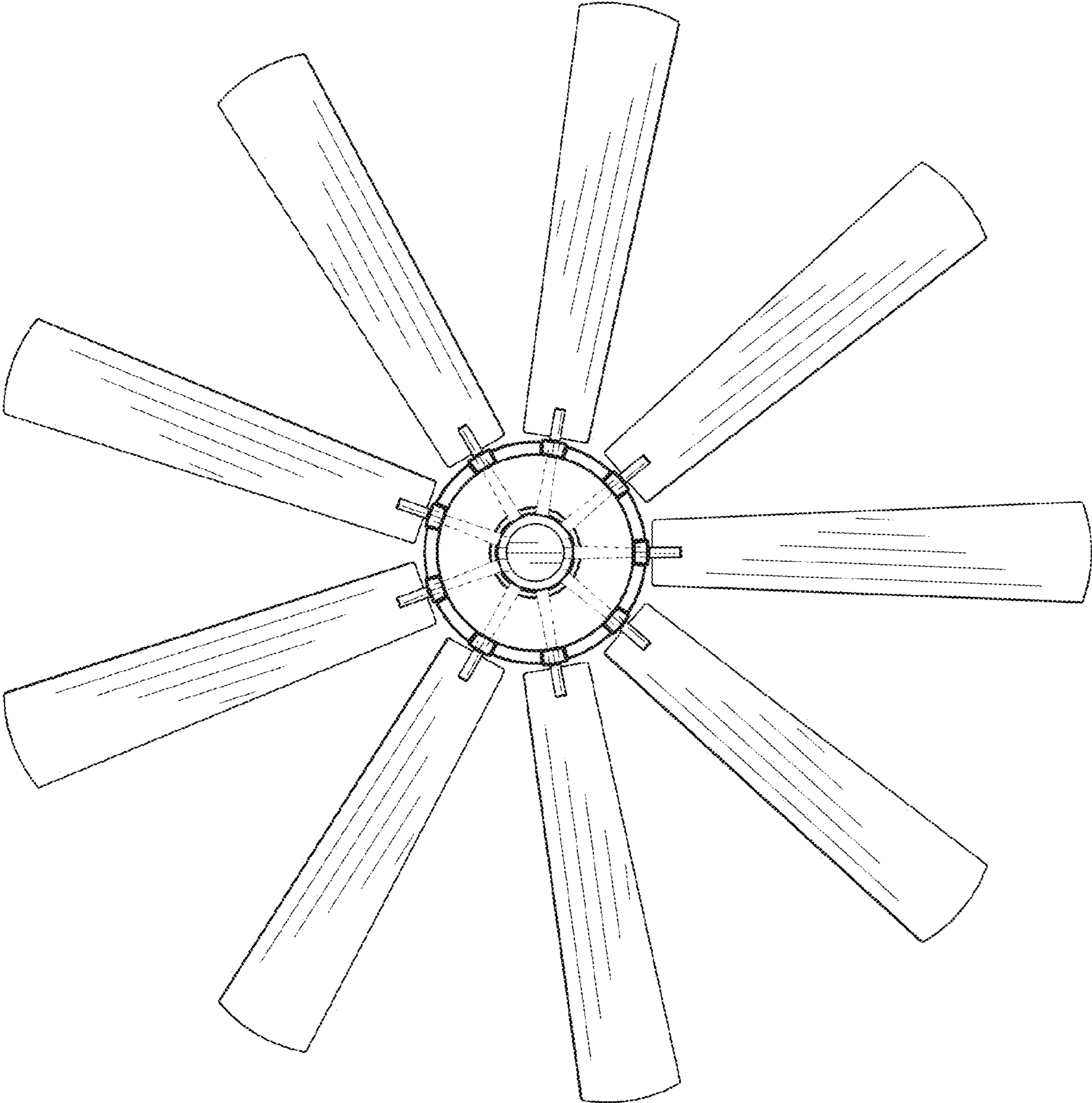


FIG. 11

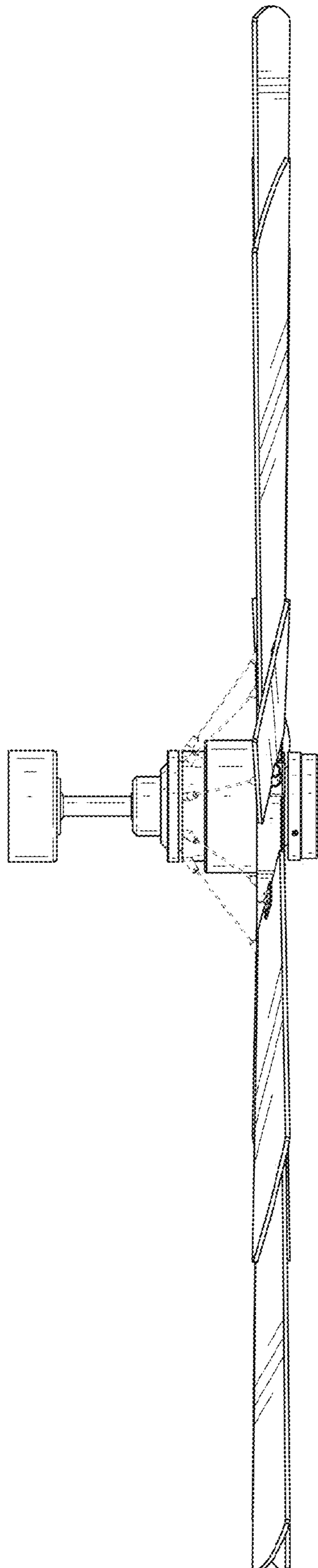


FIG. 12

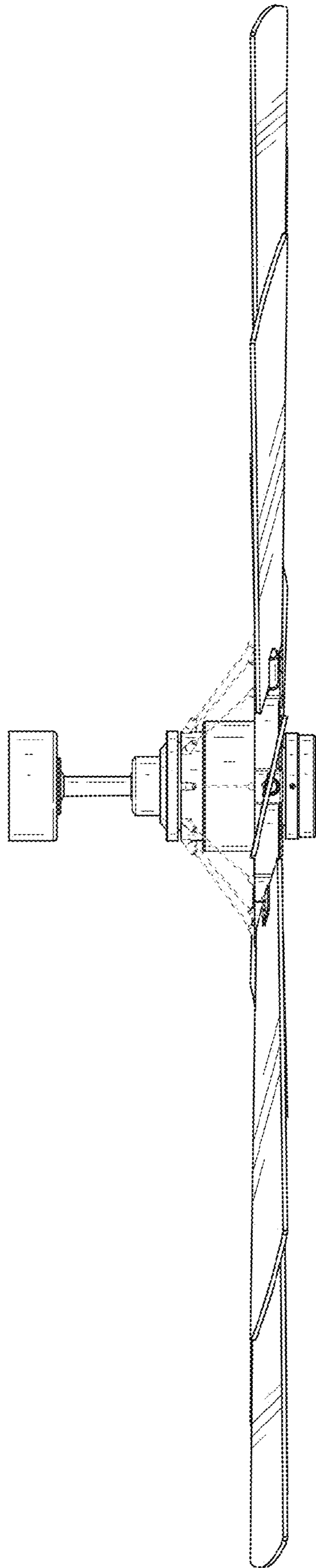


FIG. 13

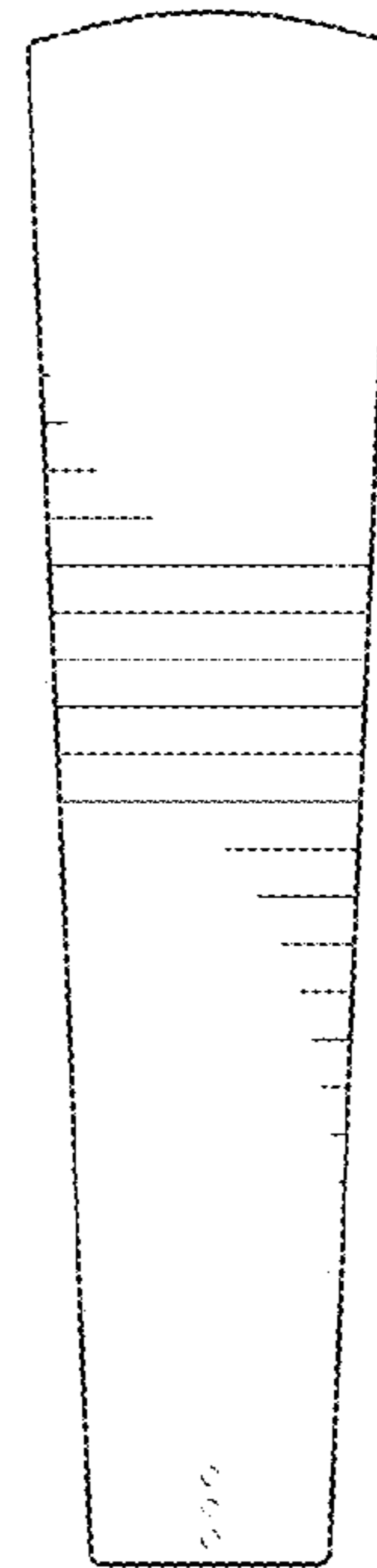


FIG. 14