



US00D936811S

(12) **United States Design Patent**
Yuan

(10) **Patent No.:** **US D936,811 S**

(45) **Date of Patent:** **** Nov. 23, 2021**

(54) **COOKER HOOD**

(71) Applicant: **Foshan Shunde Arcair Appliance Industrial Co., Ltd.**, Foshan (CN)

(72) Inventor: **Zhijiang Yuan**, Foshan (CN)

(**) Term: **15 Years**

(21) Appl. No.: **29/683,397**

(22) Filed: **Mar. 13, 2019**

(51) **LOC (13) Cl.** **23-04**

(52) **U.S. Cl.**
USPC **D23/372**

(58) **Field of Classification Search**
USPC D23/370–372, 411
See application file for complete search history.

(56) **References Cited**

U.S. PATENT DOCUMENTS

- D490,887 S * 6/2004 Segers D23/372
- D610,669 S * 2/2010 Grey D23/372
- D613,846 S * 4/2010 Grey D23/372

D730,507 S * 5/2015 Borjesson D23/372

* cited by examiner

Primary Examiner — Janice Hallmark

(74) *Attorney, Agent, or Firm* — Rमित Ranjit Kanakia

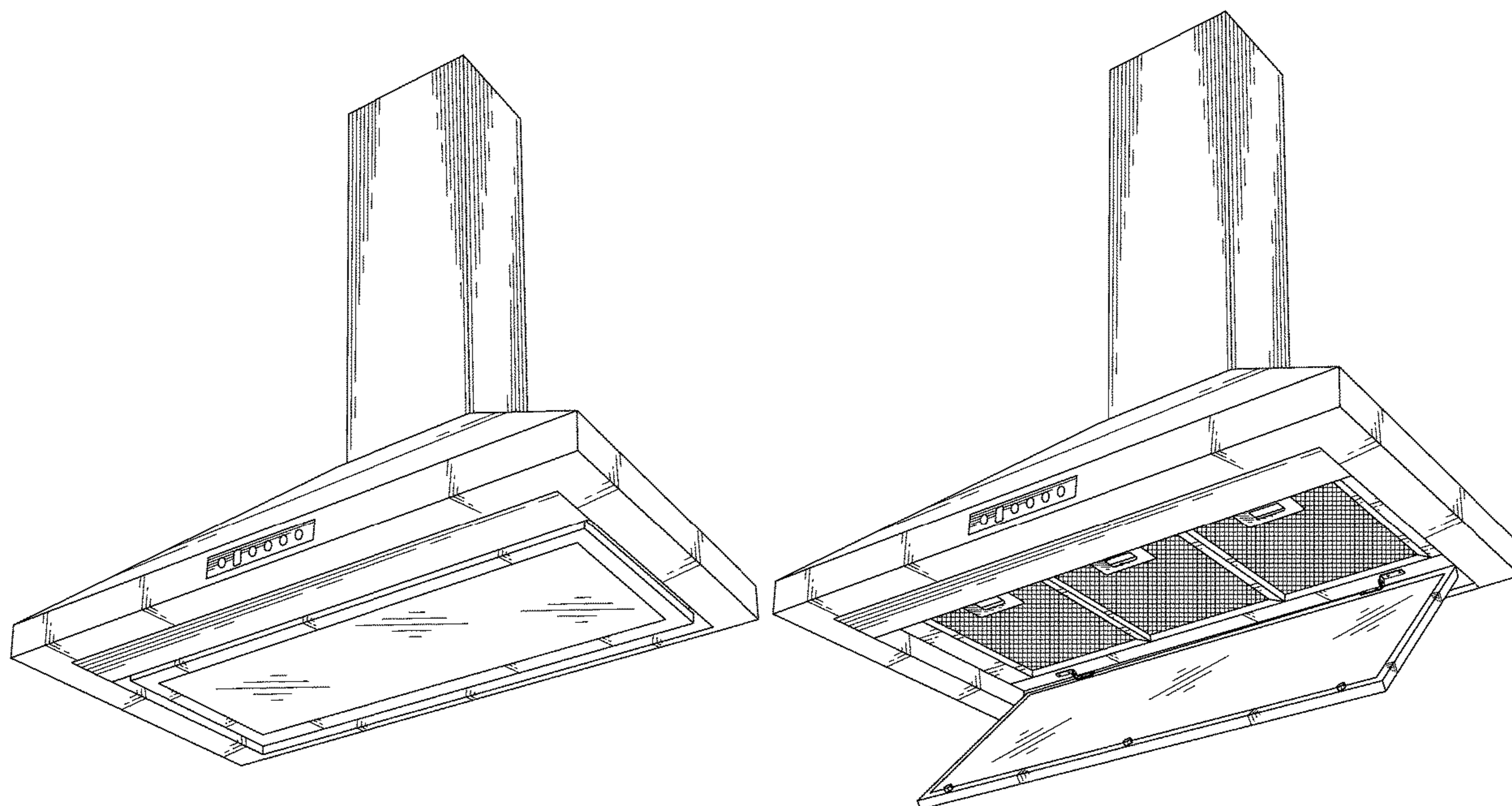
(57) **CLAIM**

I claim the ornamental design for a cooker hood, as shown and described.

DESCRIPTION

FIG. 1 is a Perspective view of a cooker hood showing my new design;
 FIG. 2 is another perspective view of the cooker hood of FIG. 1 shown in an alternate position;
 FIG. 3 is a Front view of the cooker hood of FIG. 1;
 FIG. 4 is a Back view of the cooker hood of FIG. 1;
 FIG. 5 is a Right-side view of the cooker hood of FIG. 1;
 FIG. 6 is a Left-side view of the cooker hood of FIG. 1;
 FIG. 7 is a Top view of the cooker hood of FIG. 1; and,
 FIG. 8 is a Bottom view of the cooker hood of FIG. 1.
 The broken lines in the drawings illustrate portions of the cooker hood that form no part of the claimed design.

1 Claim, 8 Drawing Sheets



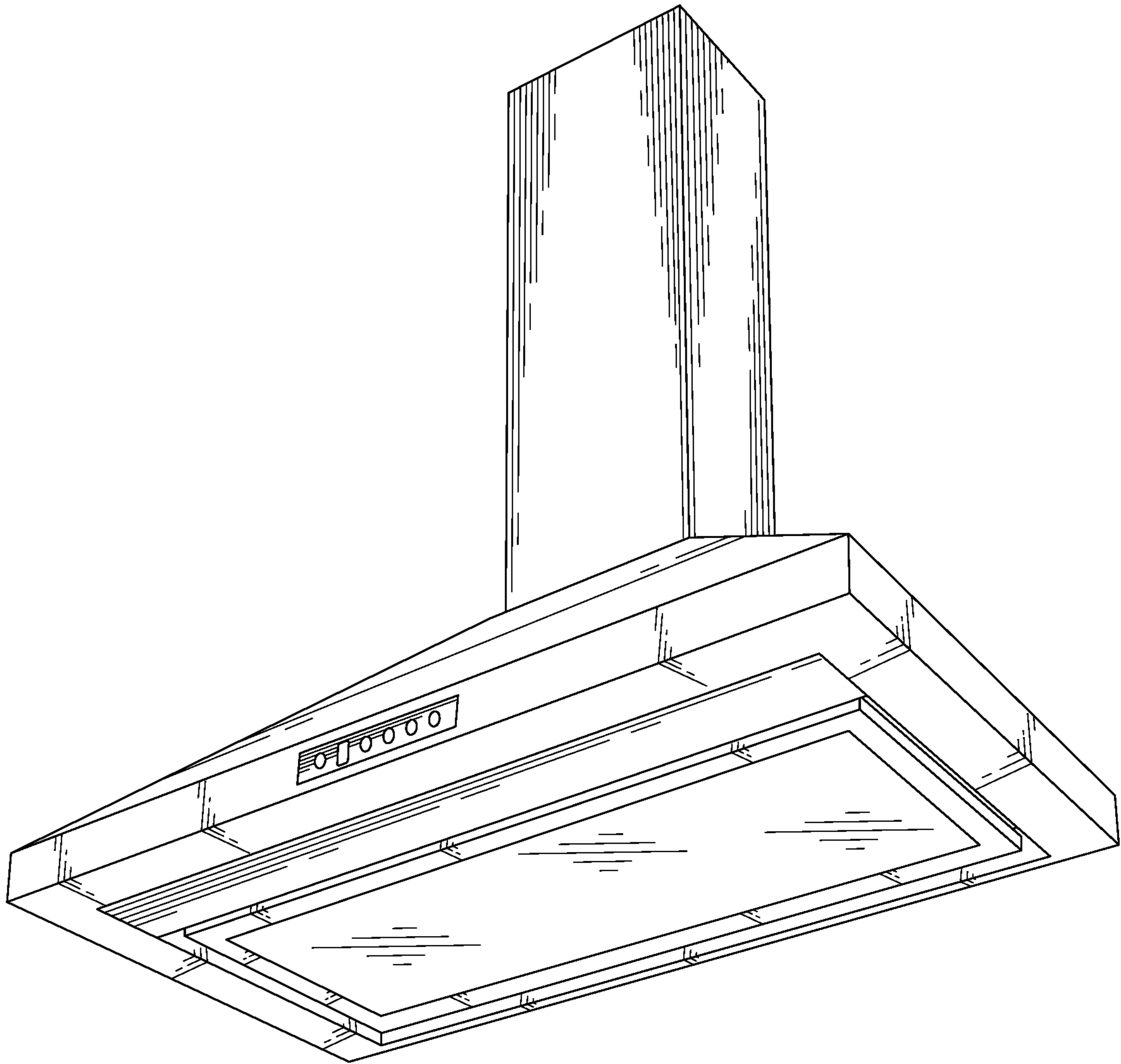


FIG. 1

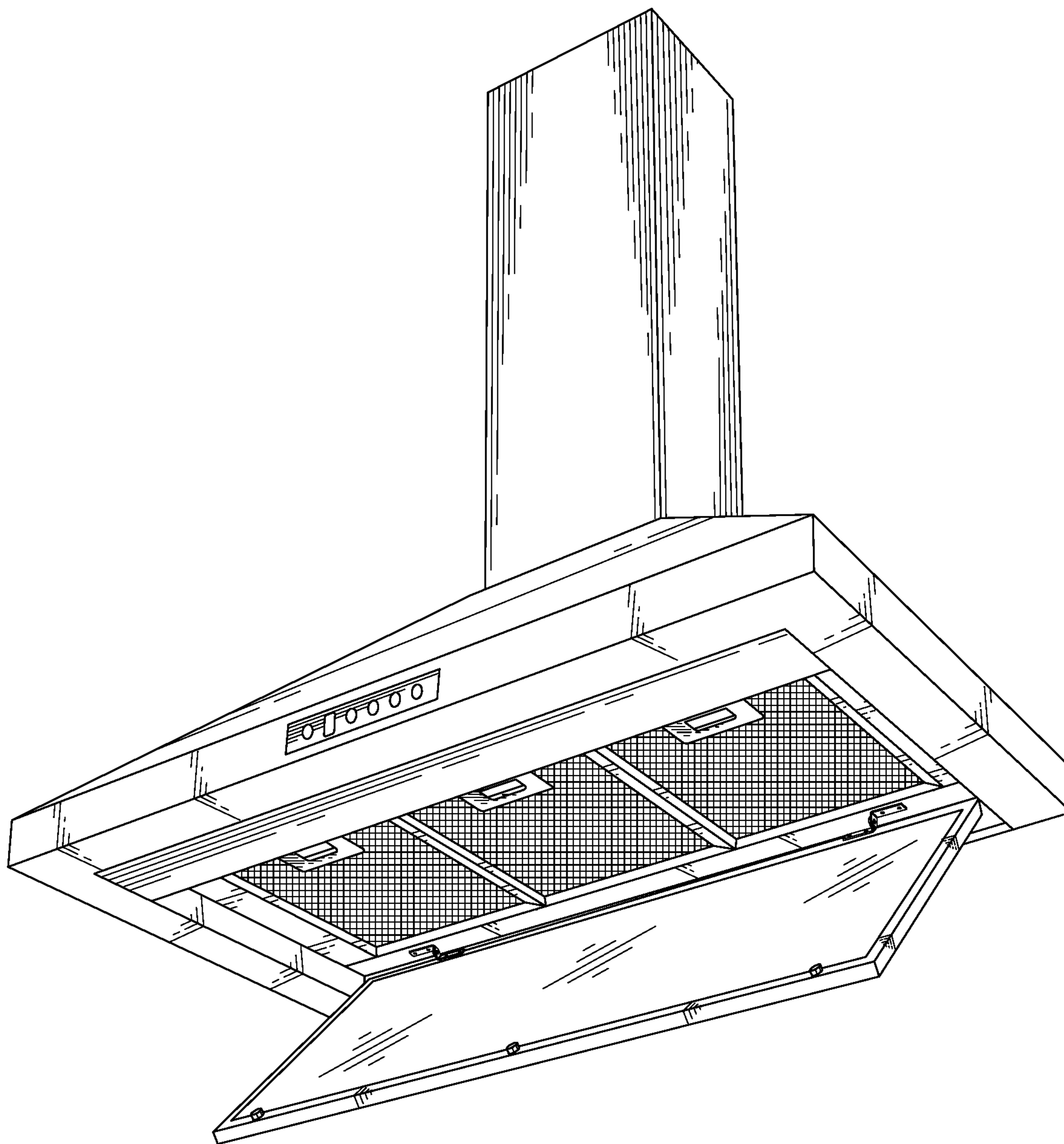


FIG. 2

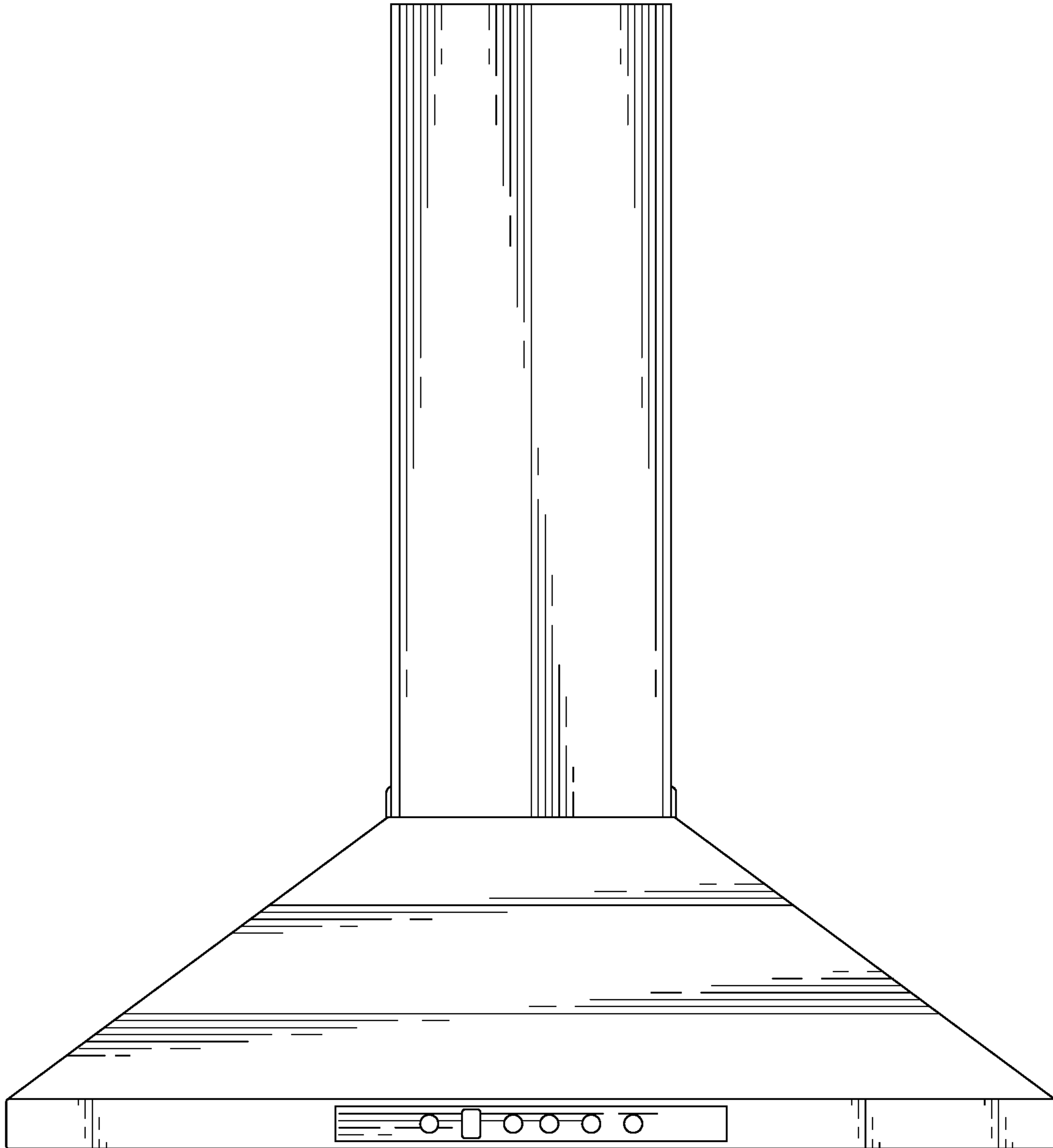


FIG. 3

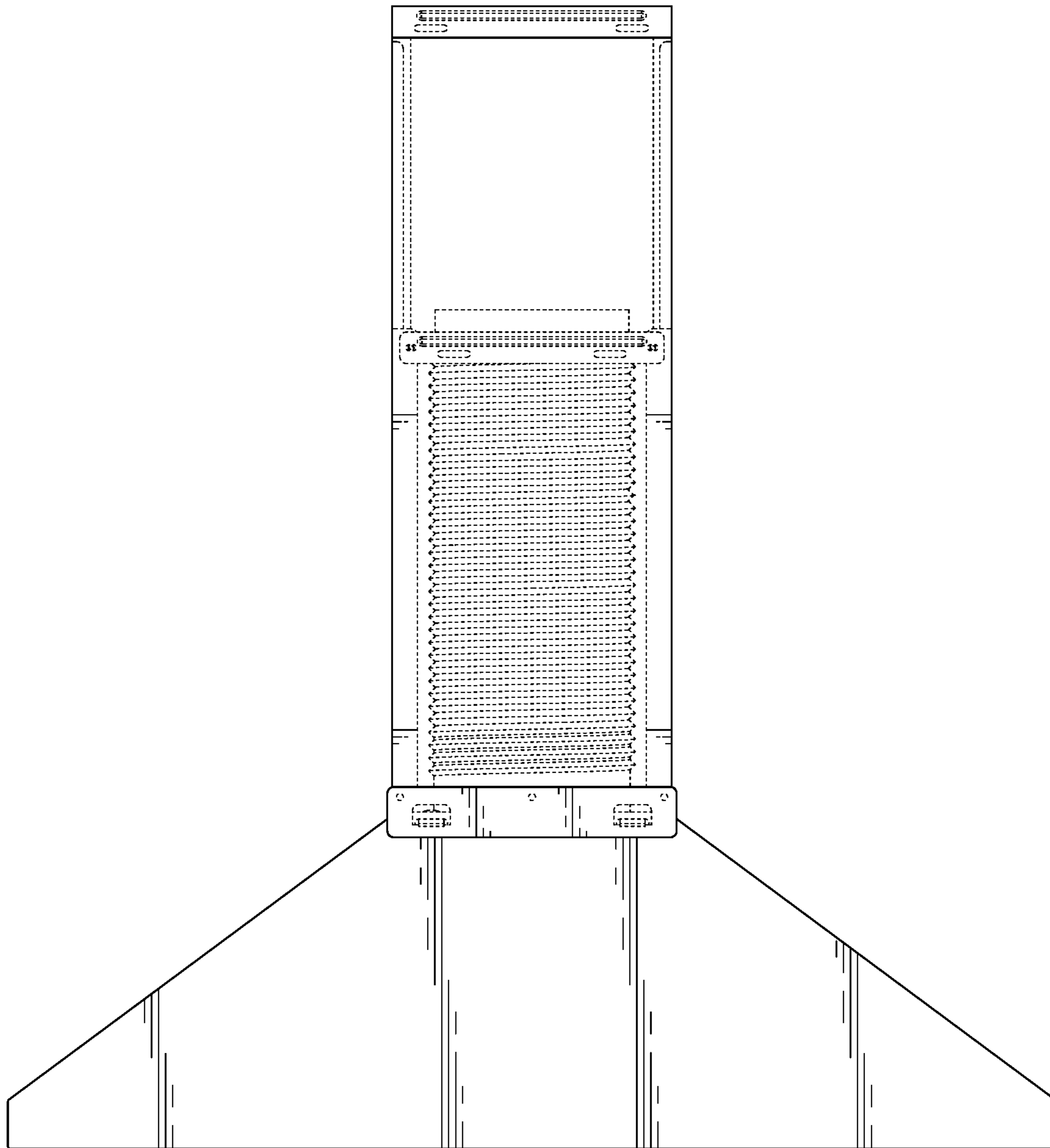


FIG. 4

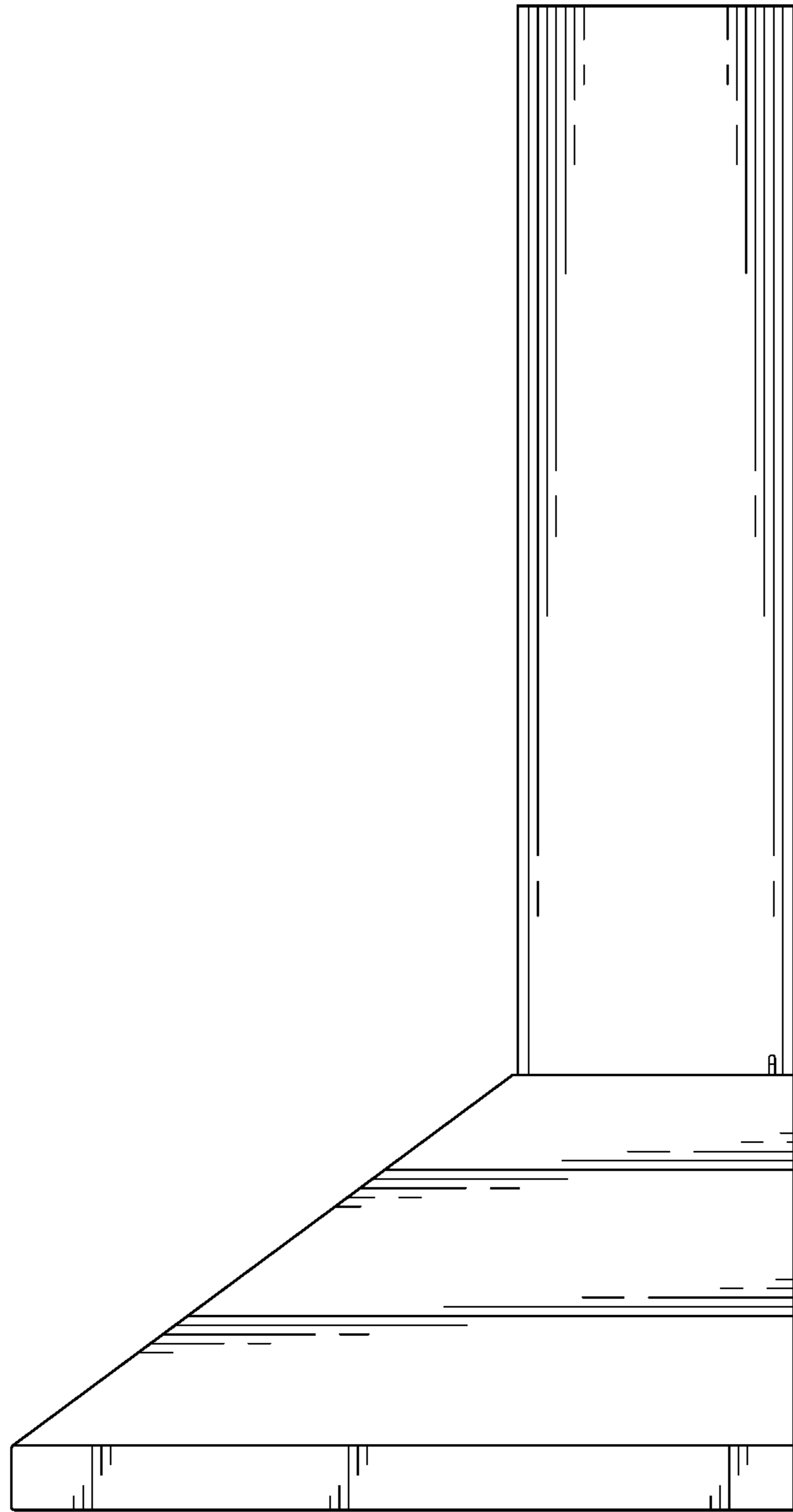


FIG. 5

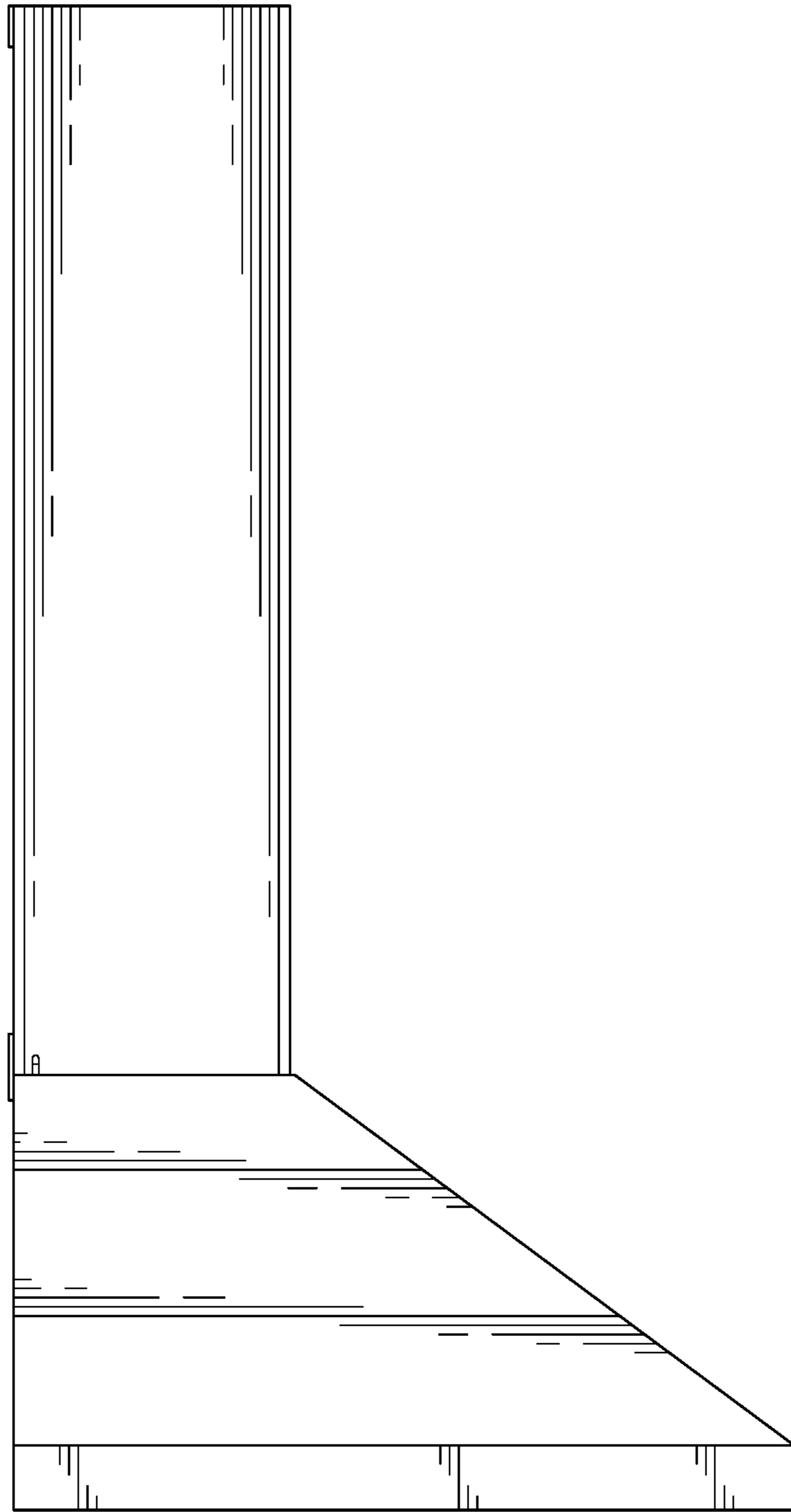


FIG. 6

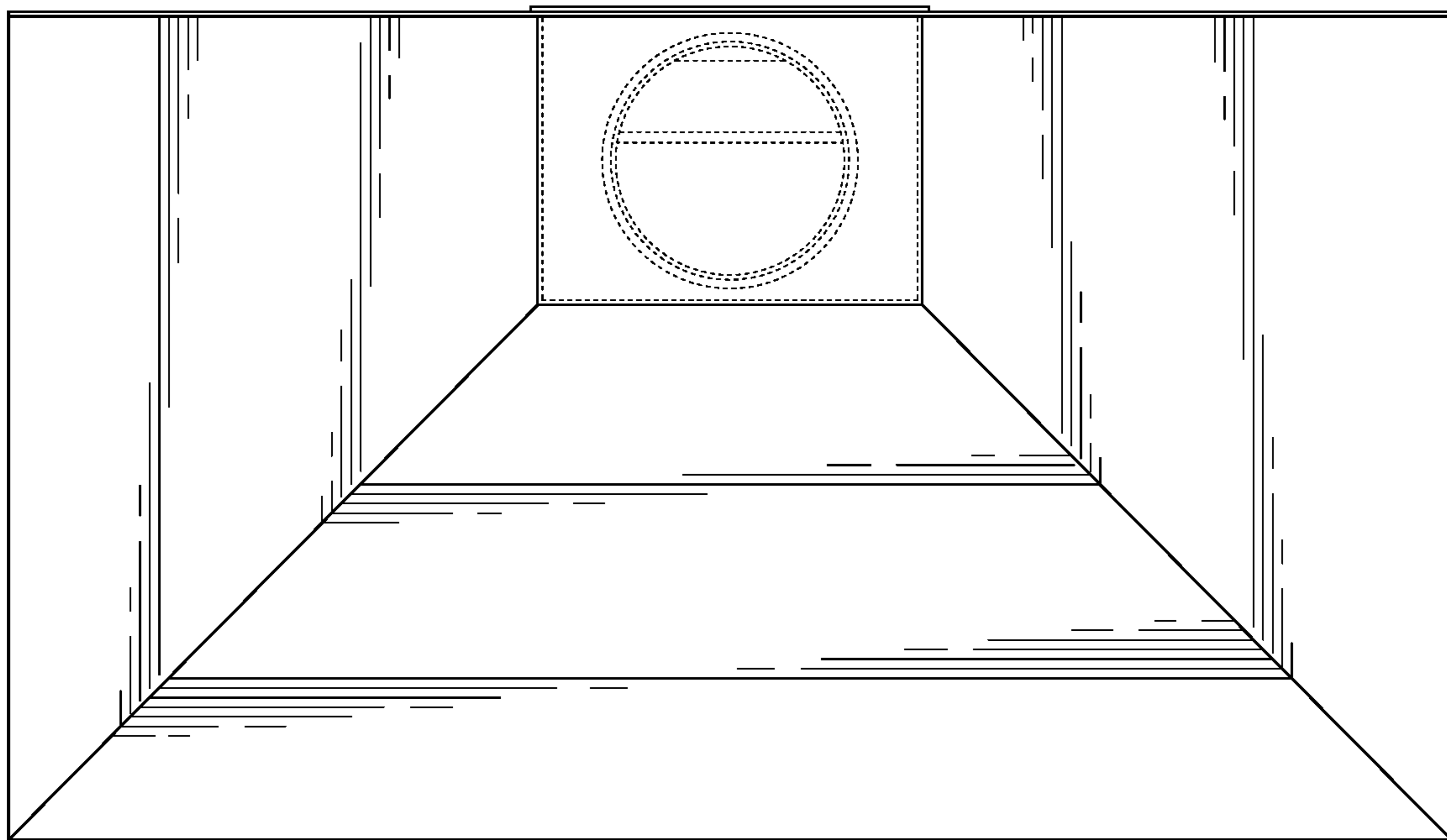


FIG. 7

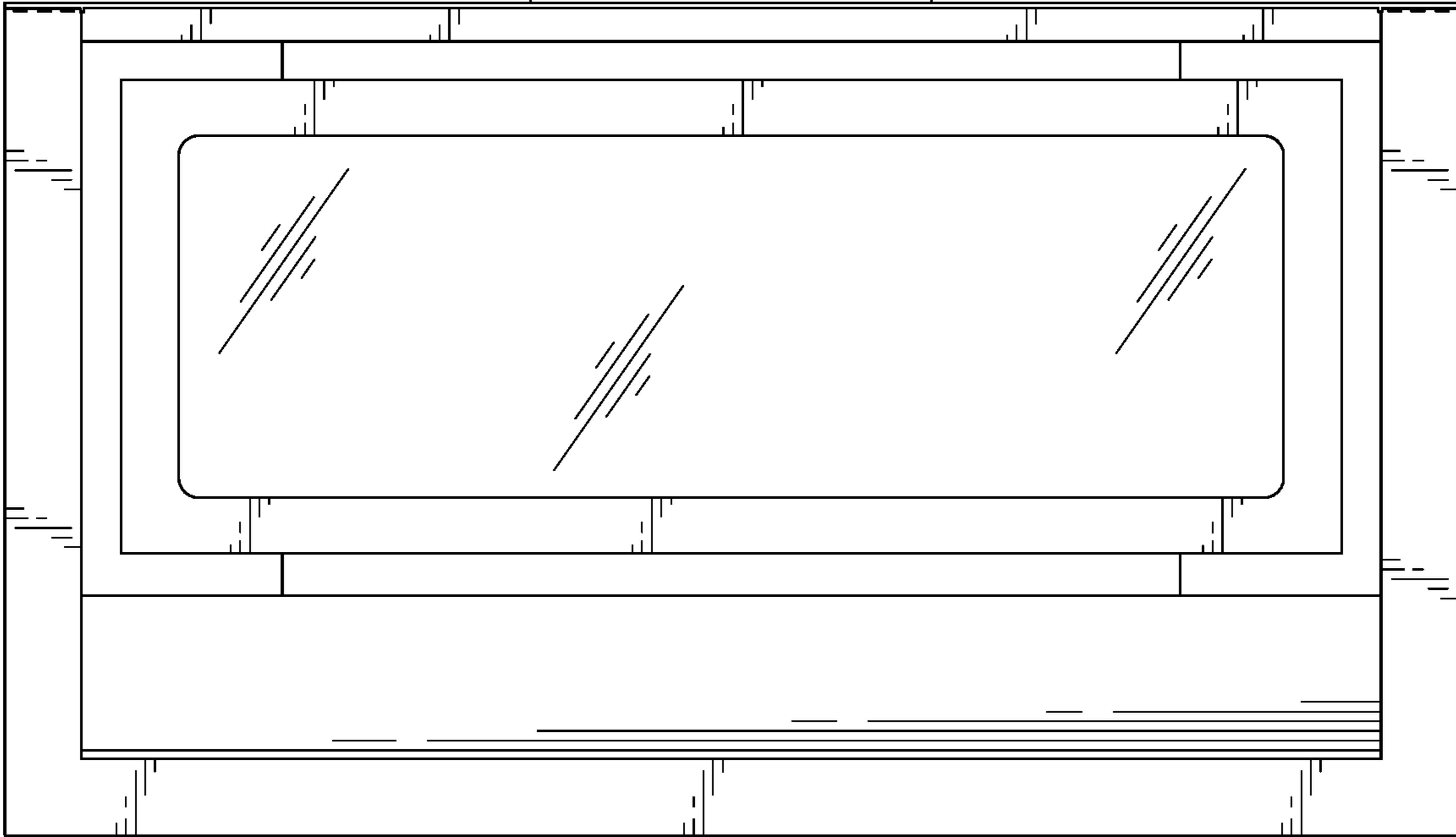


FIG. 8