



US00D936809S

(12) **United States Design Patent** (10) **Patent No.:** **US D936,809 S**  
**Shen** (45) **Date of Patent:** **\*\* Nov. 23, 2021**

(54) **CAR AIR PURIFIER**

OTHER PUBLICATIONS

(71) Applicant: **SHENZHEN RIDETECH ELECTRONICS CO., LTD**, Shenzhen (CN)

NOW Oil Diffuser [Apr. 29, 2021] found online [Apr. 21, 2021]—[https://www.amazon.com/NOW-Solutions-Ultrasonic-Essential-Diffuser/dp/B0157E055S/ref=asc\\_df\\_B0157E055S/?tag=hyprod-20&linkCode=df0&hvadid=312168468121&hvpos=&hvnetw=g&hvrnd=7714089998906620374&hvpon=&hvptwo=&hvqmt=&hvdev=c&hvdvcmdl=&hvlocint=&hvlocphy=905.\\*](https://www.amazon.com/NOW-Solutions-Ultrasonic-Essential-Diffuser/dp/B0157E055S/ref=asc_df_B0157E055S/?tag=hyprod-20&linkCode=df0&hvadid=312168468121&hvpos=&hvnetw=g&hvrnd=7714089998906620374&hvpon=&hvptwo=&hvqmt=&hvdev=c&hvdvcmdl=&hvlocint=&hvlocphy=905.*)

(72) Inventor: **Yu Shen**, Shenzhen (CN)

Pansy Car Air Purifier and Ionizer [Apr. 29, 2021] found online [Apr. 21, 2021]—[https://www.amazon.com/Purifier-Ionizer%EF%BC%8CAir-Filter-Portable-Eliminate/dp/B08DQVNW1H/ref=sr\\_1\\_61?dchild=1&keywords=car+air+purifier&qid=1619697786&sr=8-61.\\*](https://www.amazon.com/Purifier-Ionizer%EF%BC%8CAir-Filter-Portable-Eliminate/dp/B08DQVNW1H/ref=sr_1_61?dchild=1&keywords=car+air+purifier&qid=1619697786&sr=8-61.*)

(73) Assignee: **SHENZHEN RIDETECH ELECTRONICS CO., LTD**, Shenzhen (CN)

New Arrival 360-Degree Air Purifier for Car and Household [Apr. 29, 2021] found online [Apr. 21, 2021]—[https://m.made-in-china.com/product/New-Arrival-360-Degree-Air-Purifier-for-Car-and-Household-767874962.html.\\*](https://m.made-in-china.com/product/New-Arrival-360-Degree-Air-Purifier-for-Car-and-Household-767874962.html.*)

(\*\*) Term: **15 Years**

(21) Appl. No.: **29/720,347**

\* cited by examiner

(22) Filed: **Jan. 13, 2020**

*Primary Examiner* — John A Voytek

(51) **LOC (13) Cl.** ..... **23-04**

(52) **U.S. Cl.**  
USPC ..... **D23/364**

(58) **Field of Classification Search**  
USPC ..... D23/209, 355, 356, 358, 359, 360, 364, D23/365, 366, 367; D99/5; D24/217; D32/1  
CPC . A61L 9/03; A61L 9/012; A61L 9/015; A61L 9/037; F41J 1/01  
See application file for complete search history.

(57) **CLAIM**

The ornamental design for a “car air purifier”, as shown and described.

**DESCRIPTION**

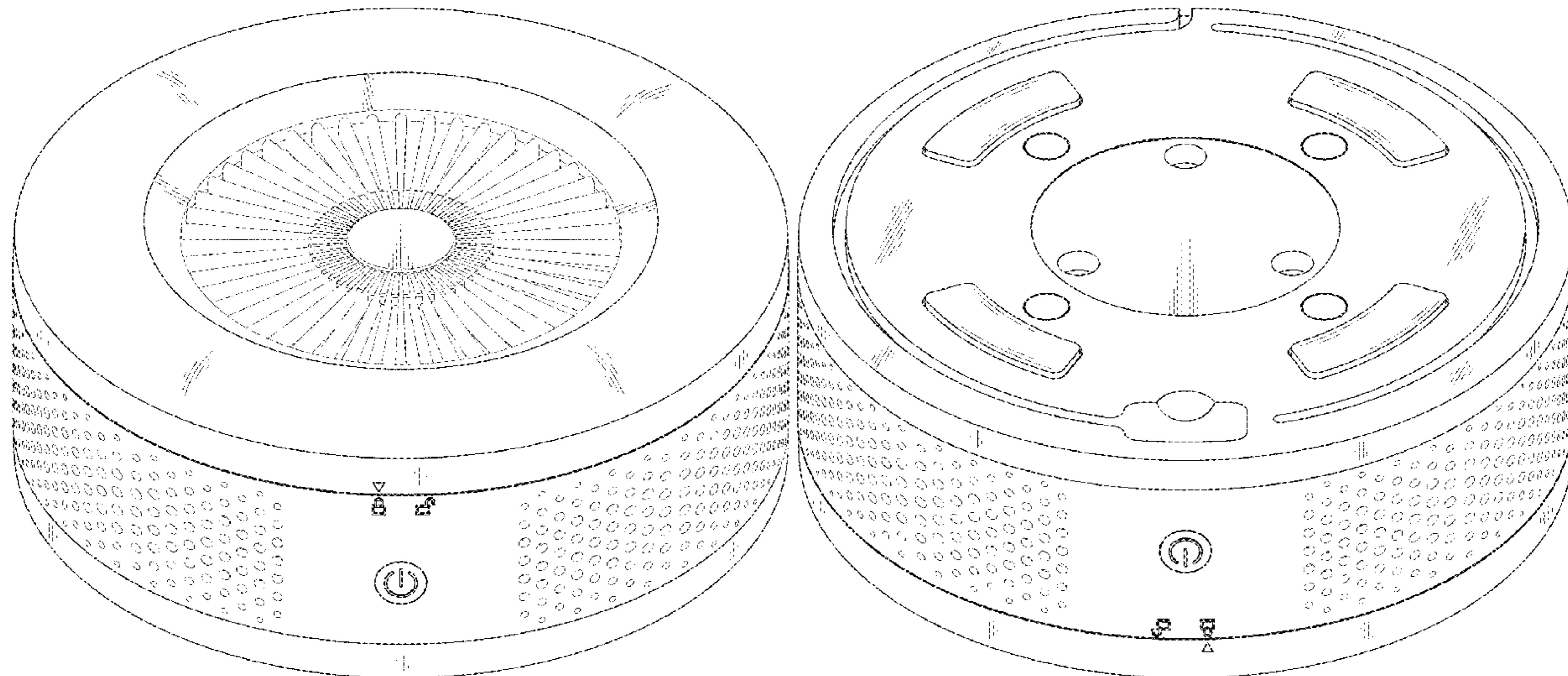
(56) **References Cited**

**U.S. PATENT DOCUMENTS**

D565,715 S	*	4/2008	Wu	.....	D23/366
D708,728 S	*	7/2014	Yoo	.....	D23/364
D820,318 S	*	6/2018	Mullins	.....	D14/496
D835,766 S	*	12/2018	Chen	.....	D23/364
D861,845 S	*	10/2019	Chen	.....	D23/364
D886,268 S	*	6/2020	Montagnino	.....	D23/356
D889,434 S	*	7/2020	Xie	.....	D14/216
D899,570 S	*	10/2020	Kuhlman	.....	D23/356
D905,841 S	*	12/2020	Cao	.....	D23/364

FIG. 1 is a perspective view of a car air purifier, showing my new design;  
FIG. 2 is a front view thereof;  
FIG. 3 is a rear view thereof;  
FIG. 4 is a left side view thereof;  
FIG. 5 is a right side view thereof;  
FIG. 6 is a top plan view thereof;  
FIG. 7 is a bottom plan view thereof; and,  
FIG. 8 is another perspective view thereof.  
The broken lines in the drawings illustrate portions of the car air purifier that form no part of the claimed design.

**1 Claim, 8 Drawing Sheets**



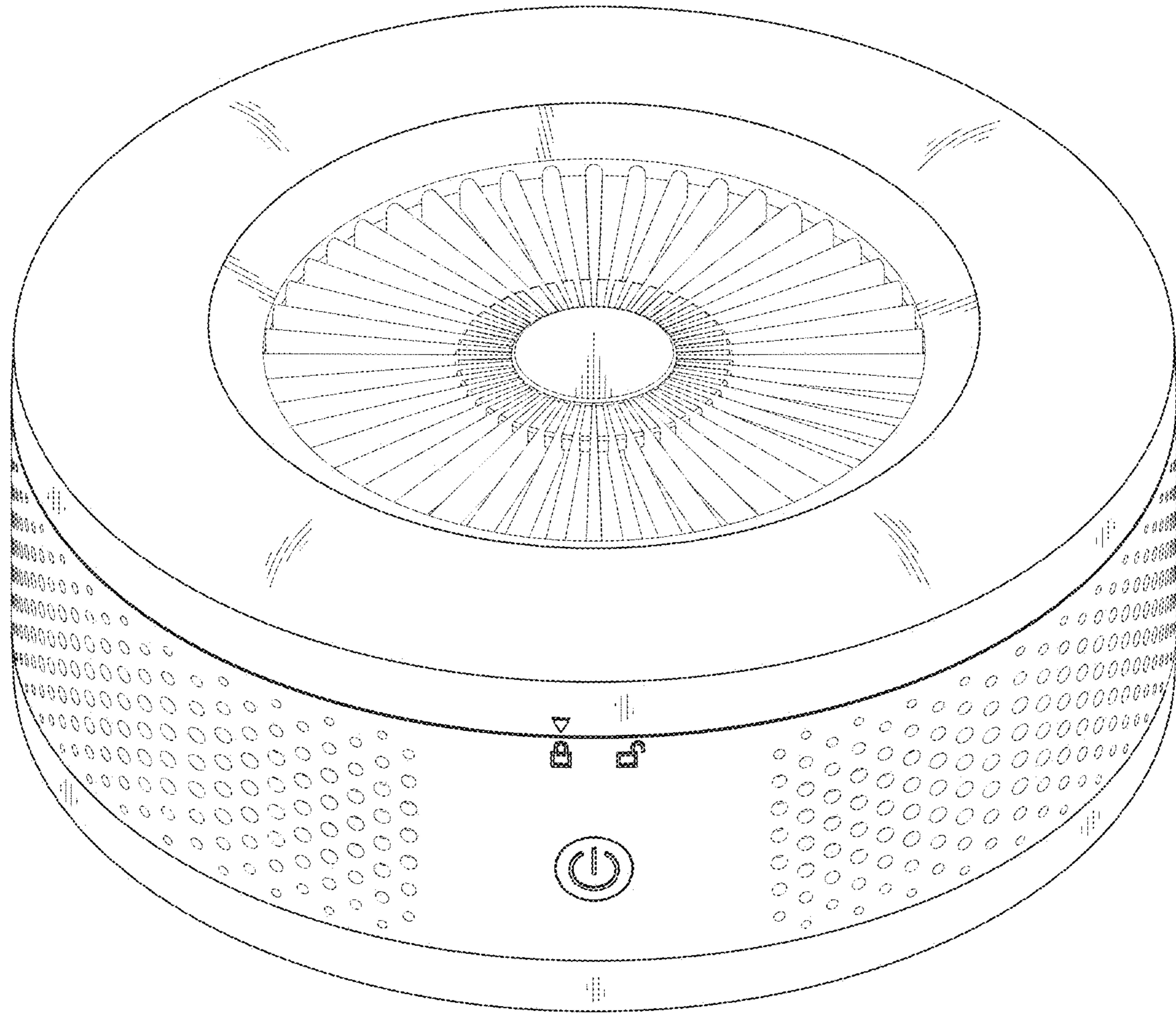


FIG. 1

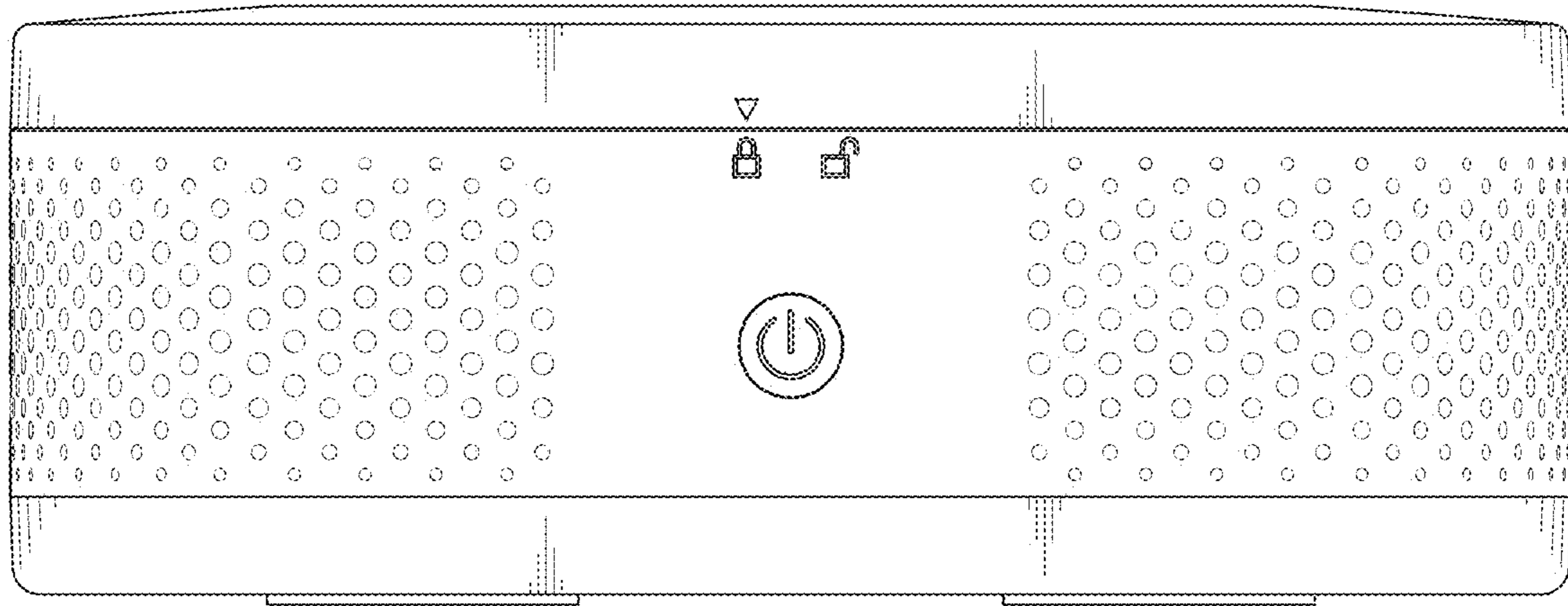


FIG. 2

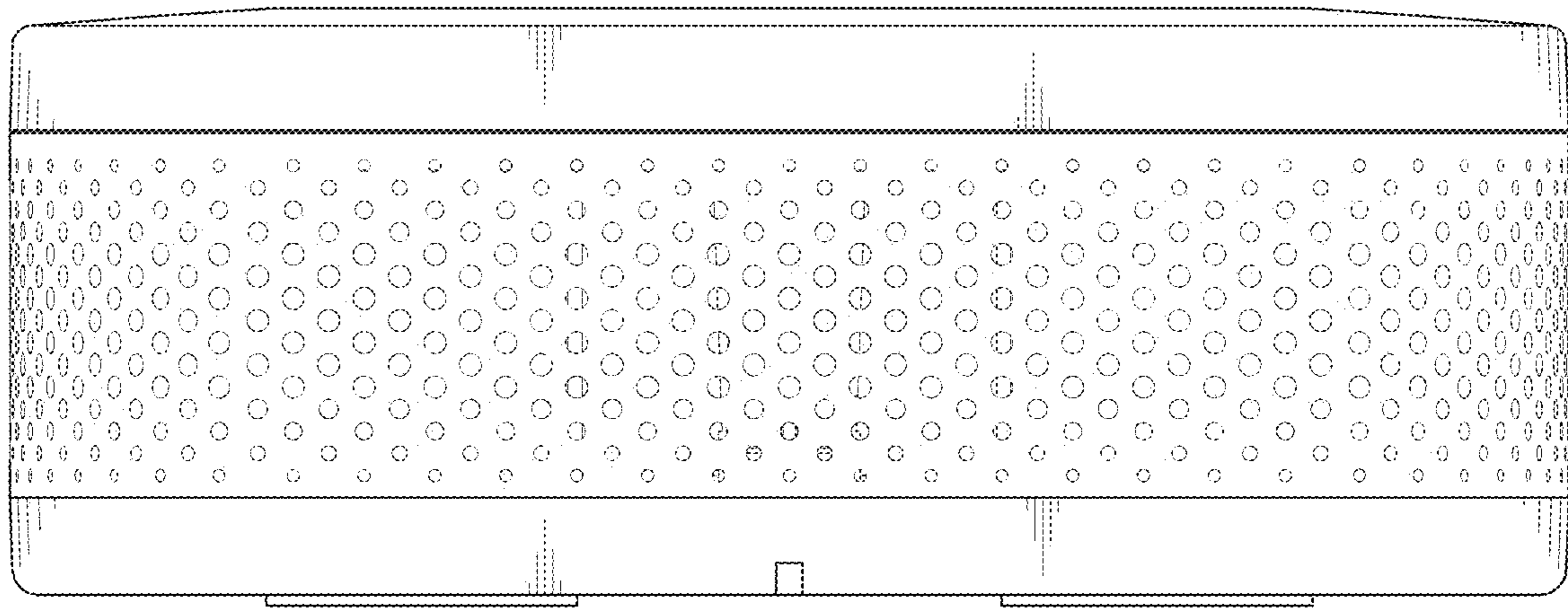


FIG. 3

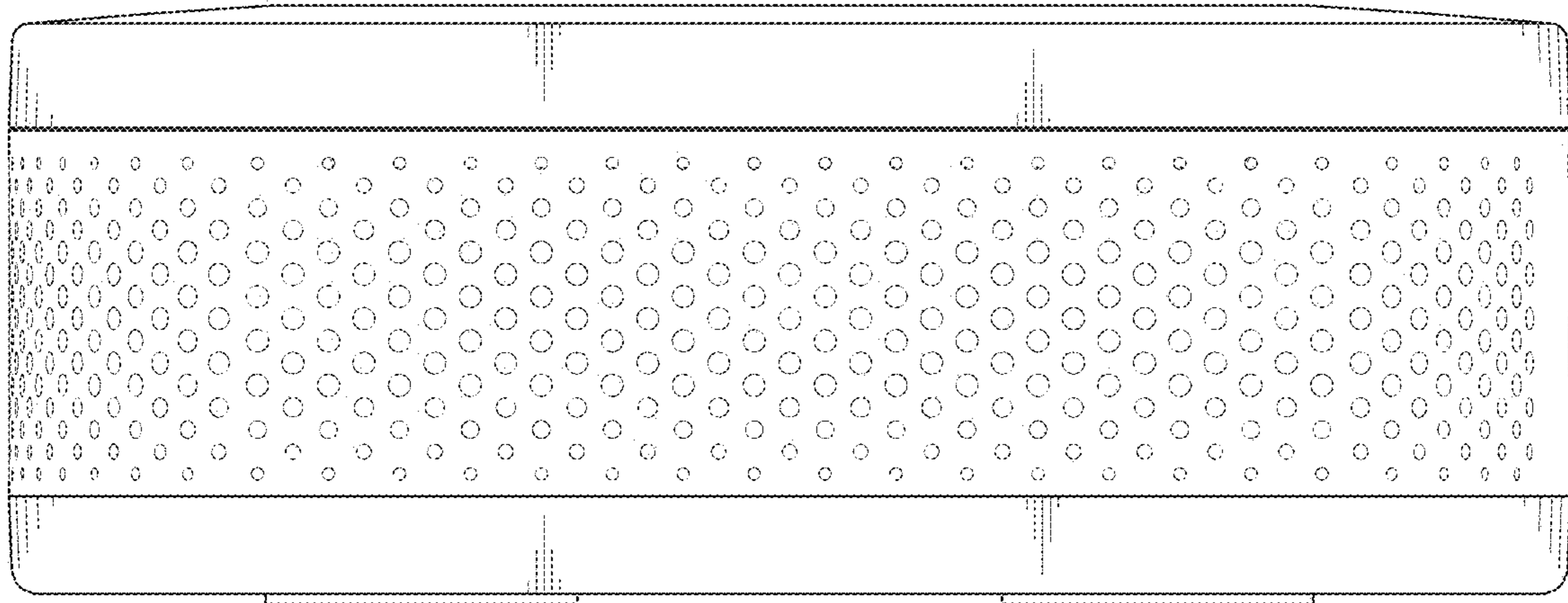


FIG. 4

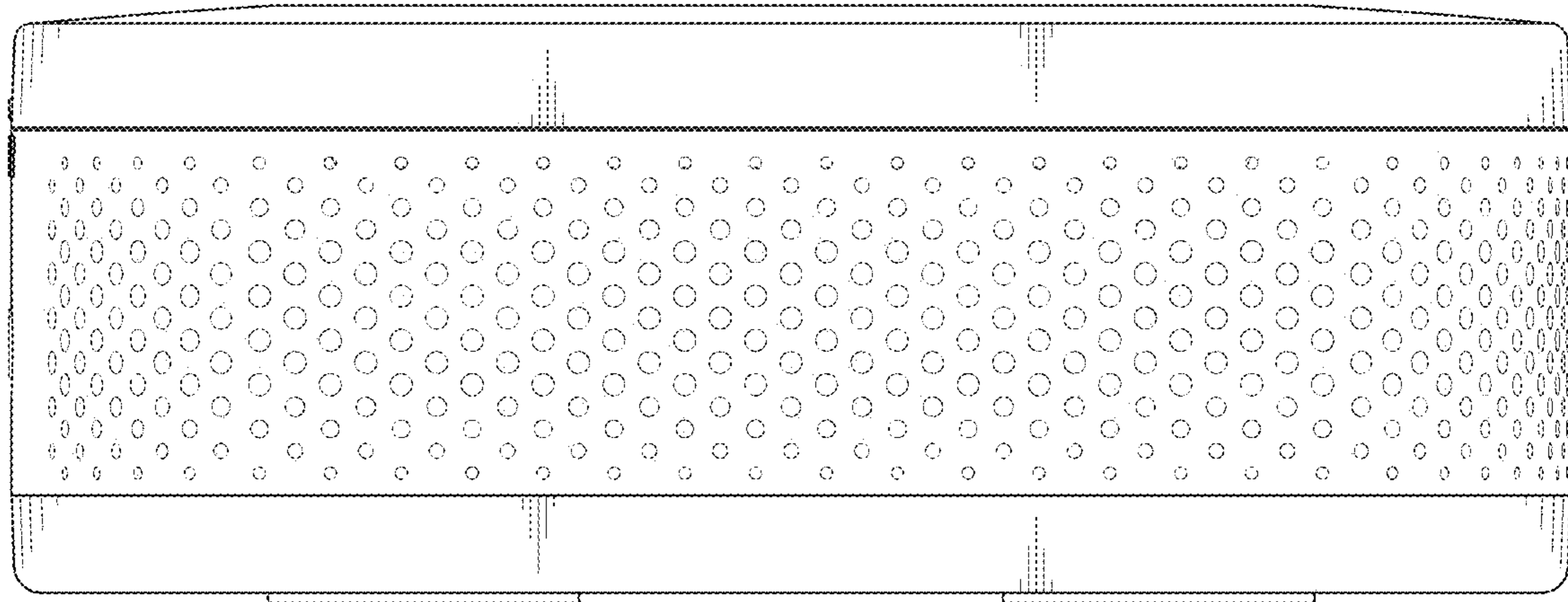


FIG. 5

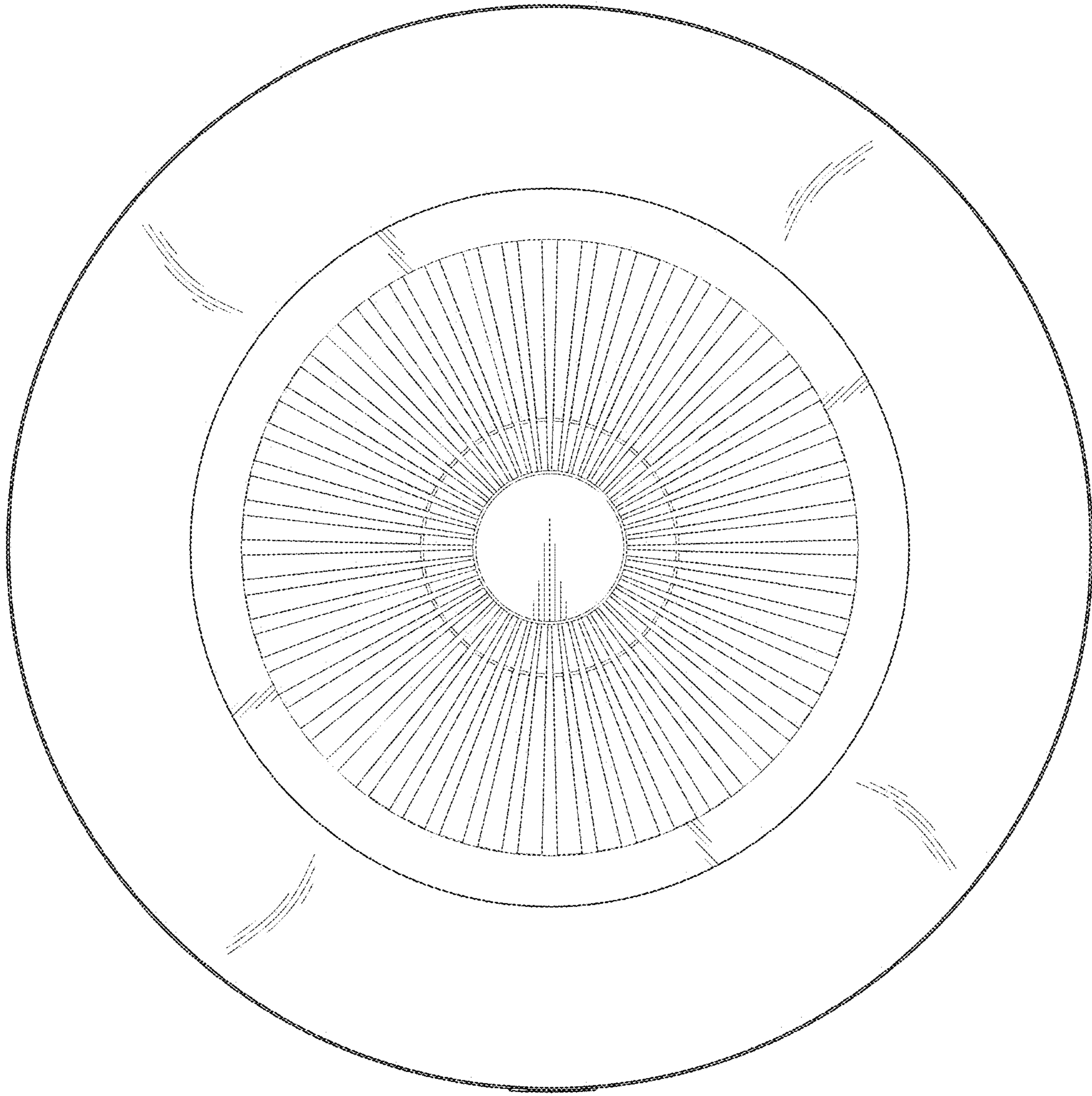


FIG. 6

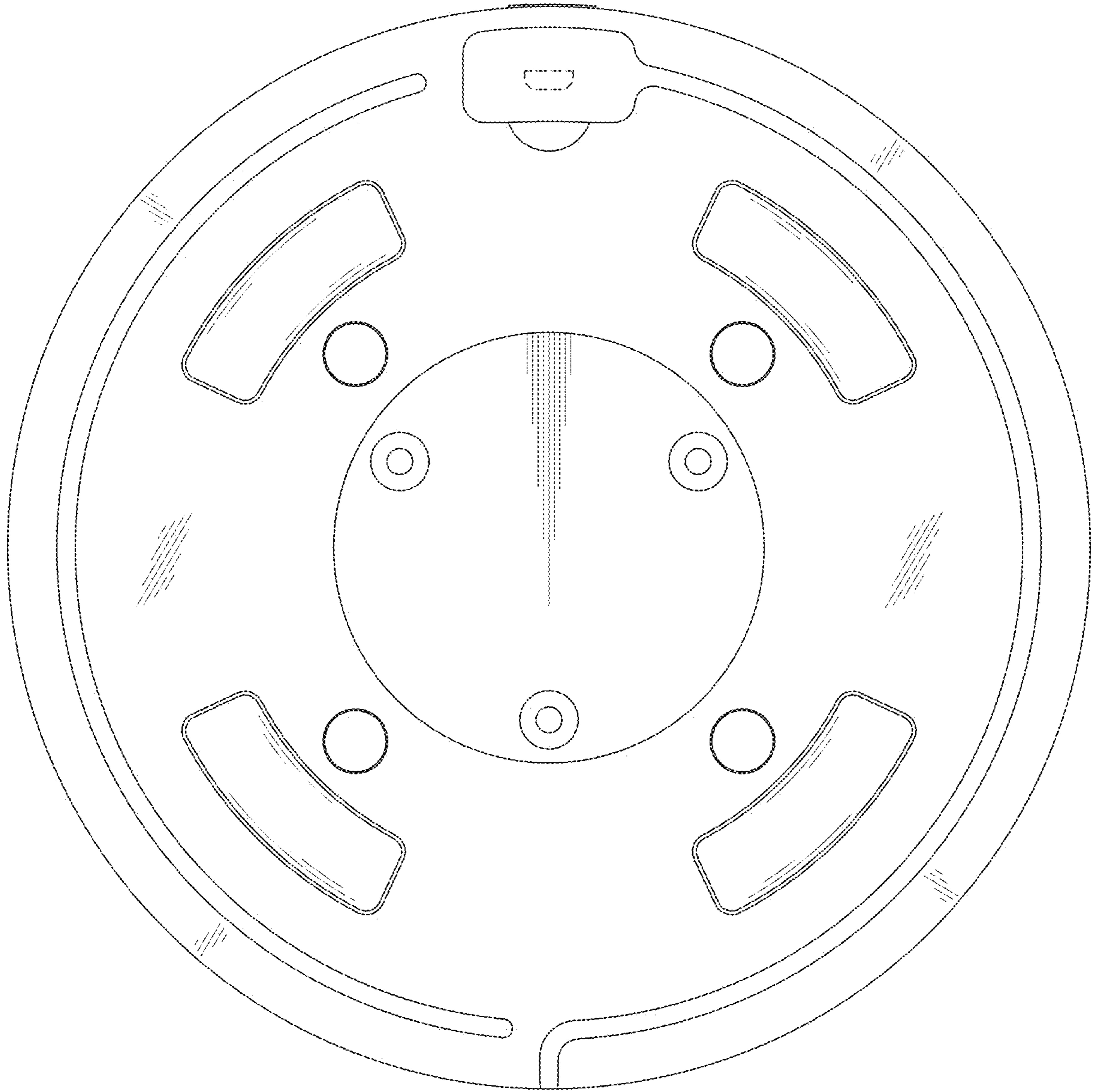


FIG. 7



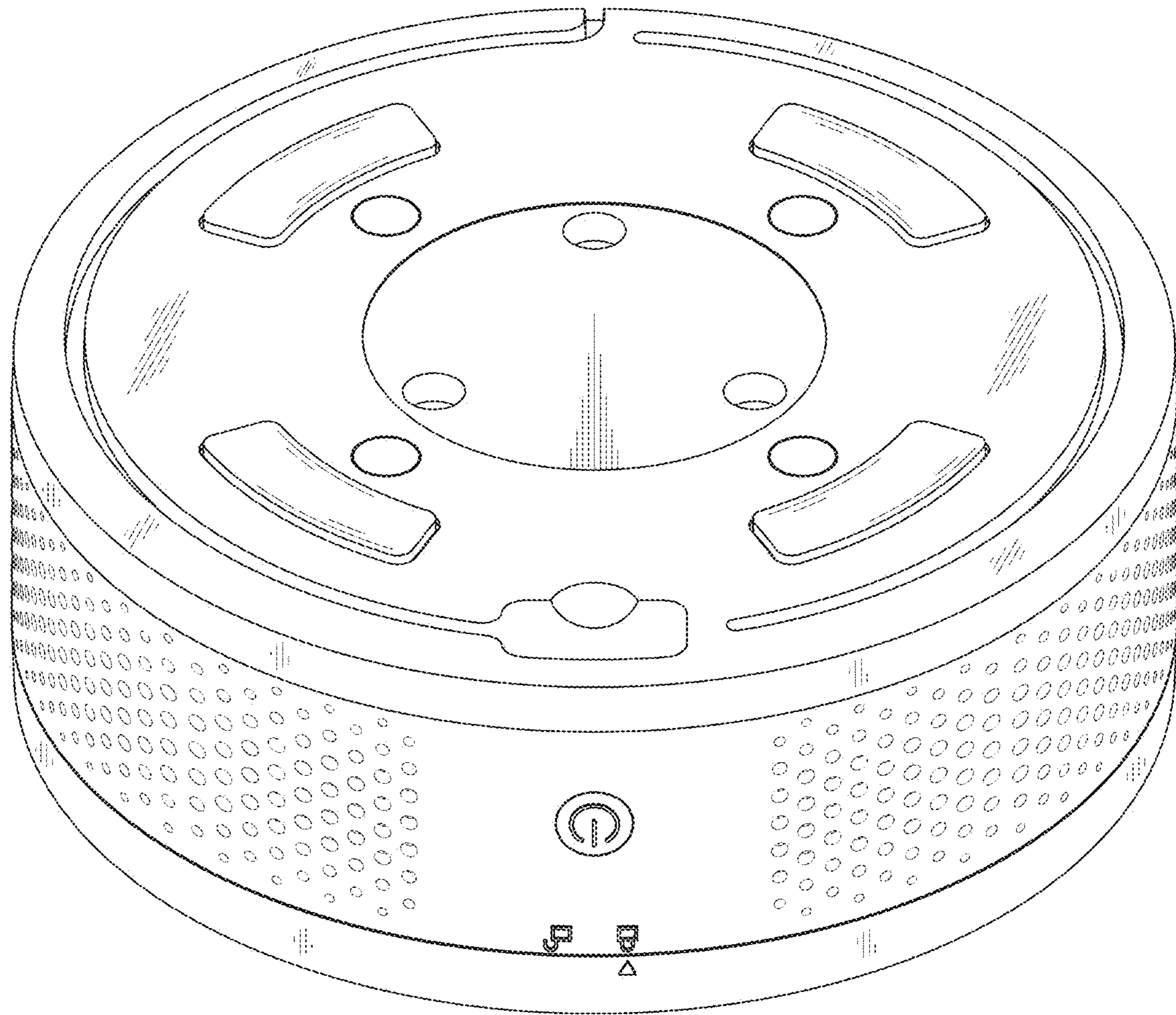


FIG. 8