



US00D936805S

(12) **United States Design Patent**
Ravassa et al.

(10) **Patent No.:** **US D936,805 S**

(45) **Date of Patent:** **** Nov. 23, 2021**

(54) **CONSOLE SINK**

(71) Applicant: **AS America, Inc.**, Piscataway, NJ (US)

(72) Inventors: **Gabriela Ravassa**, Brooklyn, NY (US);
Christophe Bucher, Hillsborough, NJ (US); **Jean-Jacques L’Henaff**, New Canaan, CT (US)

(73) Assignee: **AS America, Inc.**, Piscataway, NJ (US)

(**) Term: **15 Years**

(21) Appl. No.: **29/719,835**

(22) Filed: **Jan. 8, 2020**

(51) **LOC (13) Cl.** **23-02**

(52) **U.S. Cl.**
USPC **D23/286**

(58) **Field of Classification Search**
USPC D23/271, 284, 285, 286, 293.1, 308;
D24/234; D6/663–664, 673, 675
See application file for complete search history.

(56) **References Cited**

U.S. PATENT DOCUMENTS

D412,204 S *	7/1999	Slothower	D23/284
D437,035 S *	1/2001	Roberts	D23/284
D622,082 S *	8/2010	Booth	D6/675
D634,823 S *	3/2011	Grazioli	D23/284
D713,514 S *	9/2014	Chen	D23/284

D767,741 S *	9/2016	Clarke	D23/293.1
D771,415 S *	11/2016	Chen	D6/657
D777,304 S *	1/2017	Esteve	D23/286
D814,613 S *	4/2018	Taylor	D23/284
D861,143 S *	9/2019	Taylor	D23/308
D870,493 S *	12/2019	Young	D6/663
D914,167 S *	3/2021	Parisio	D23/286

* cited by examiner

Primary Examiner — Robert A Delehanty

(74) *Attorney, Agent, or Firm* — Tyler A. Stevenson;
Anna-lisa L. Gallo

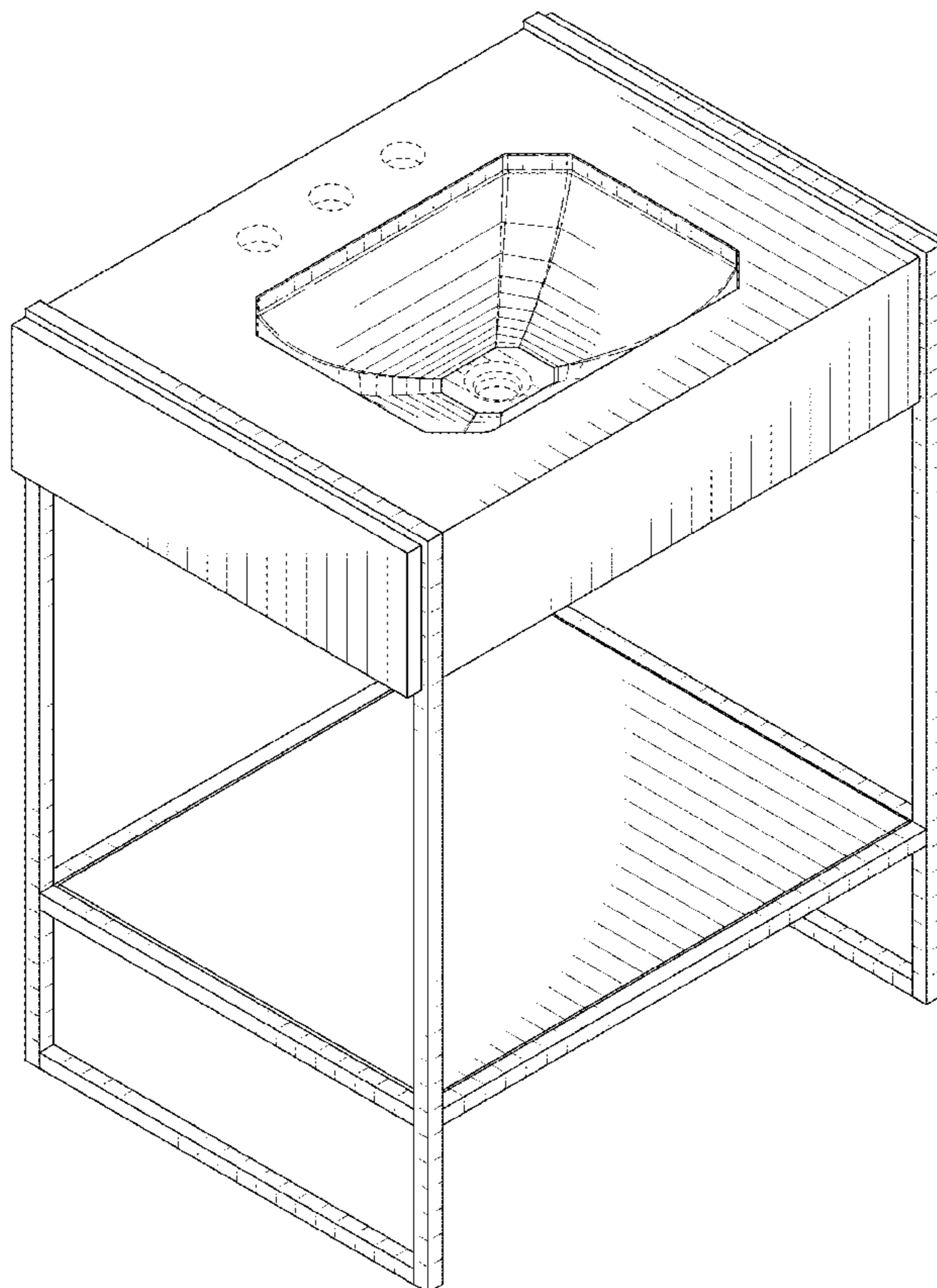
(57) **CLAIM**

We claim the ornamental design for a console sink, as shown and described.

DESCRIPTION

FIG. 1 is a front, top, left side perspective view of a console sink showing our new design;
FIG. 2 is a front view thereof;
FIG. 3 is a rear side view thereof;
FIG. 4 is a left side view thereof;
FIG. 5 is a right side view thereof;
FIG. 6 is a top view thereof; and,
FIG. 7 is a bottom view thereof.
Broken lines of the disclosure are for illustrative purposes only and form no part of the claimed design.

1 Claim, 6 Drawing Sheets



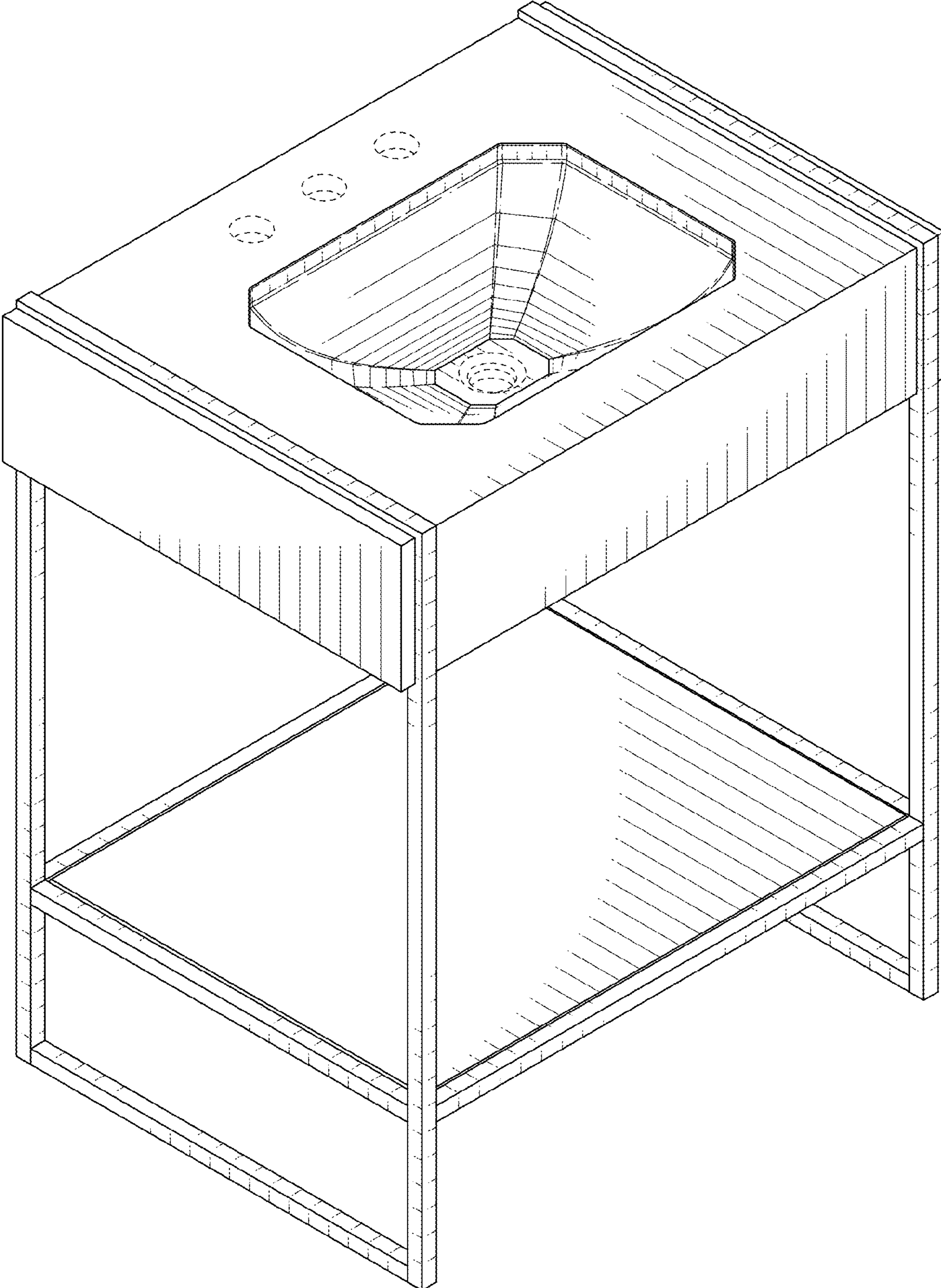


FIG. 1

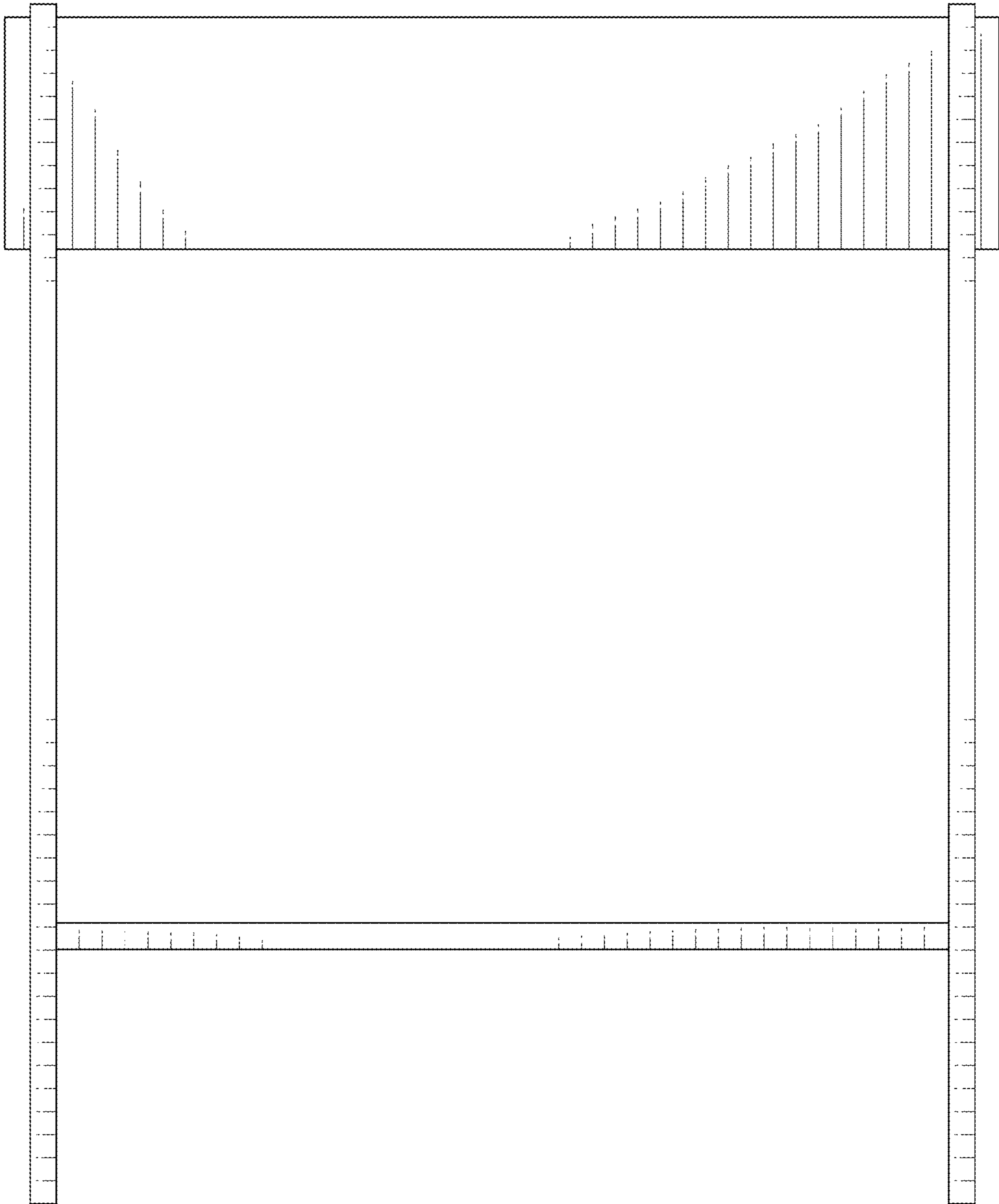


FIG. 2

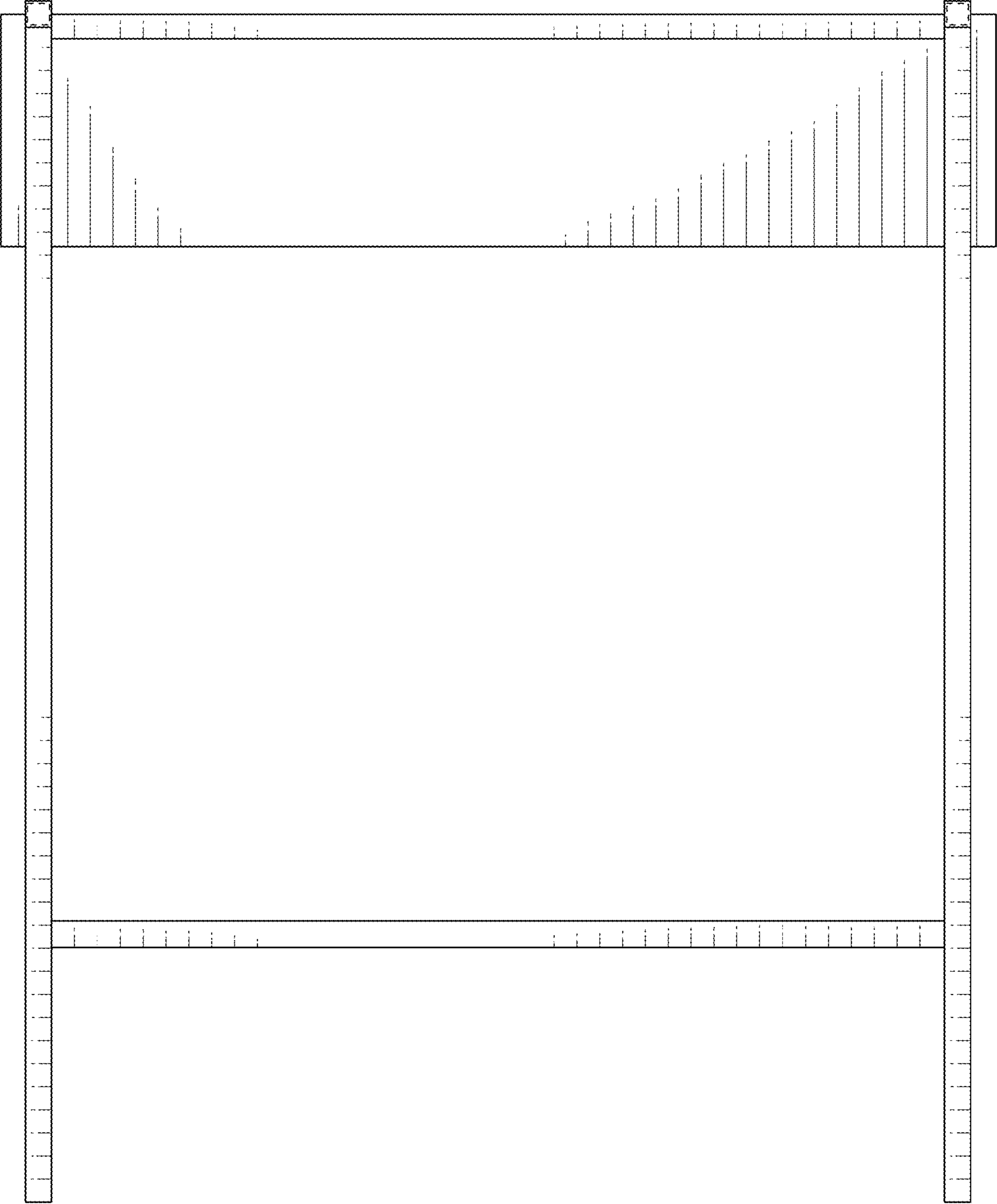


FIG. 3

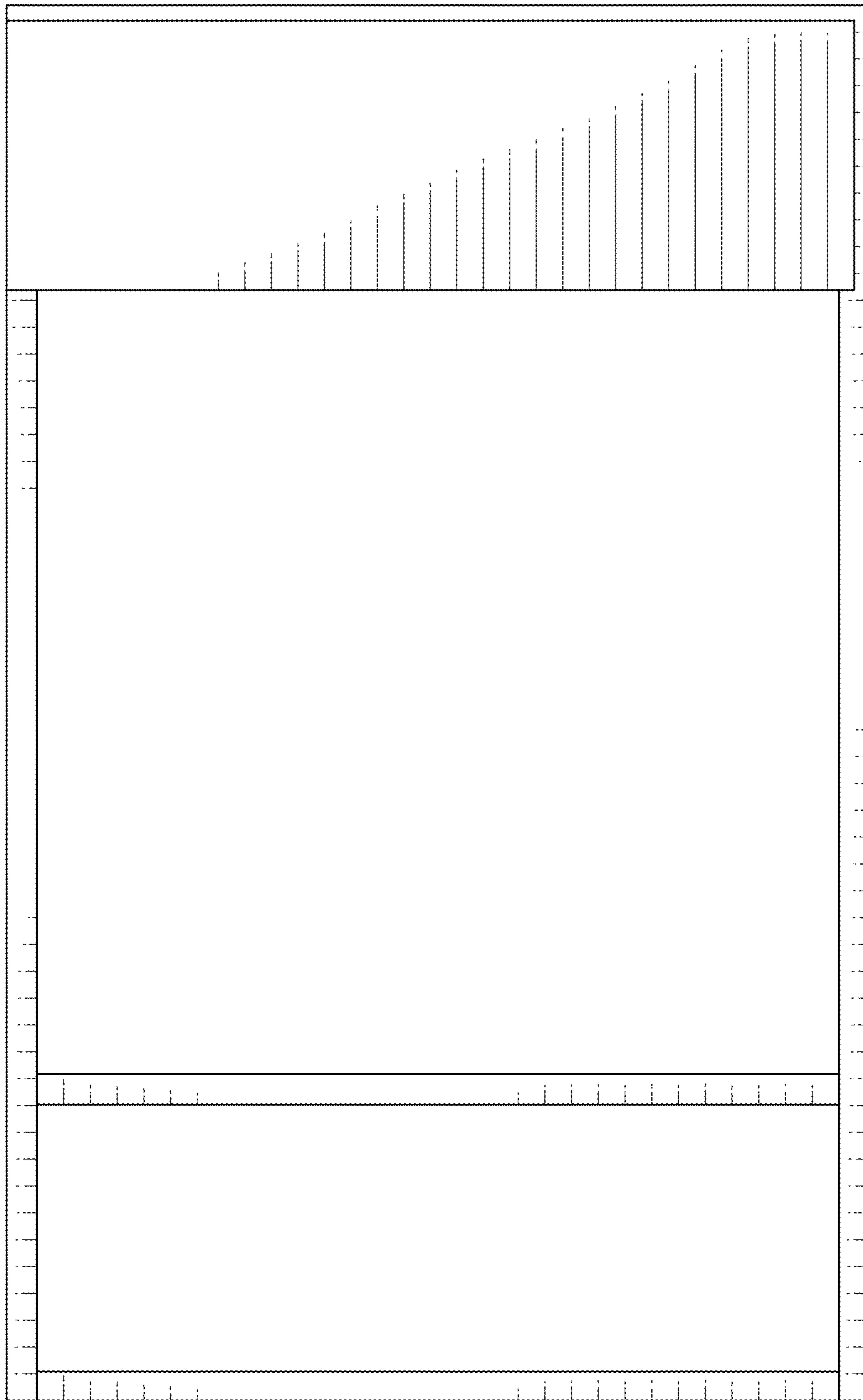


FIG. 4

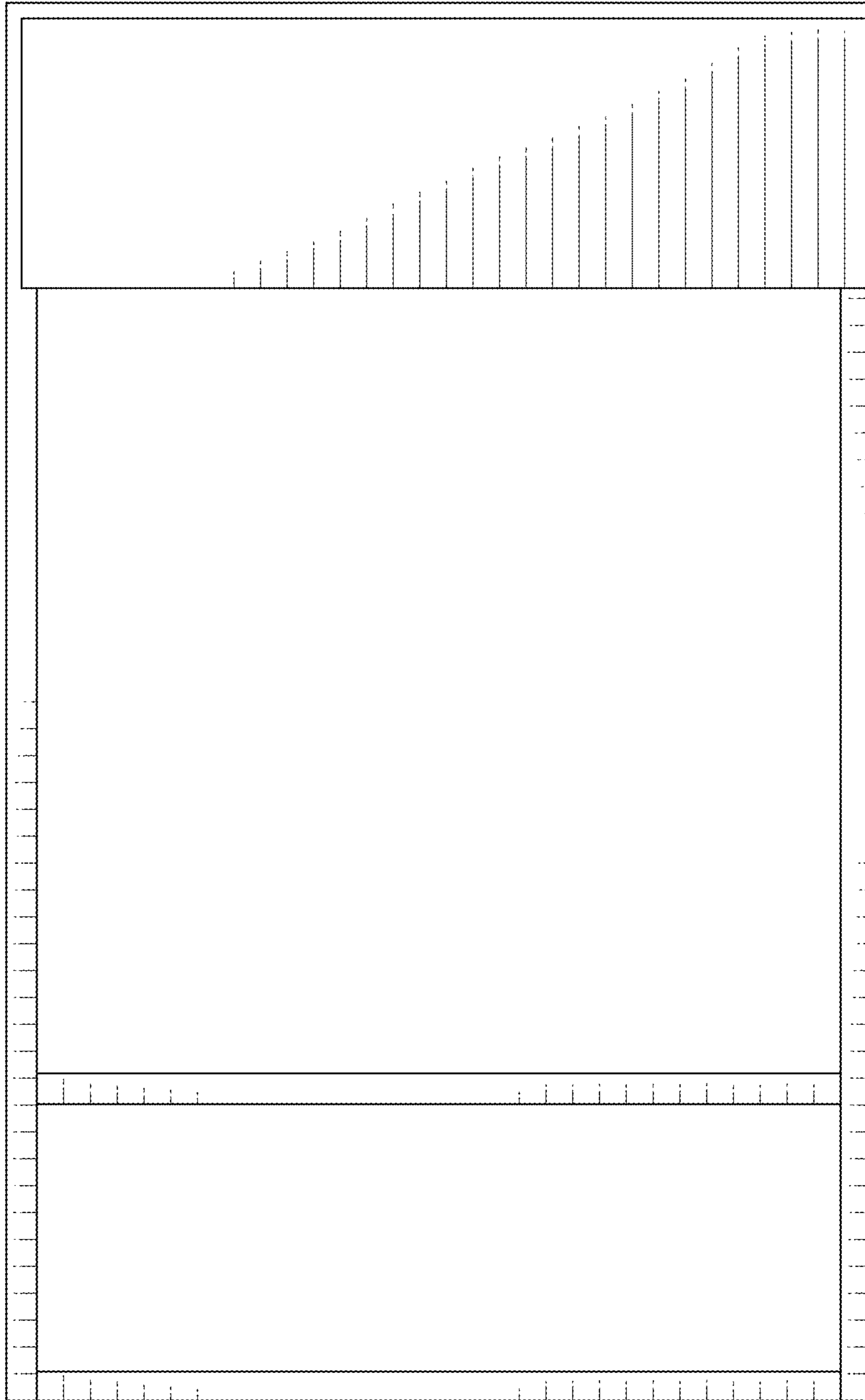


FIG. 5

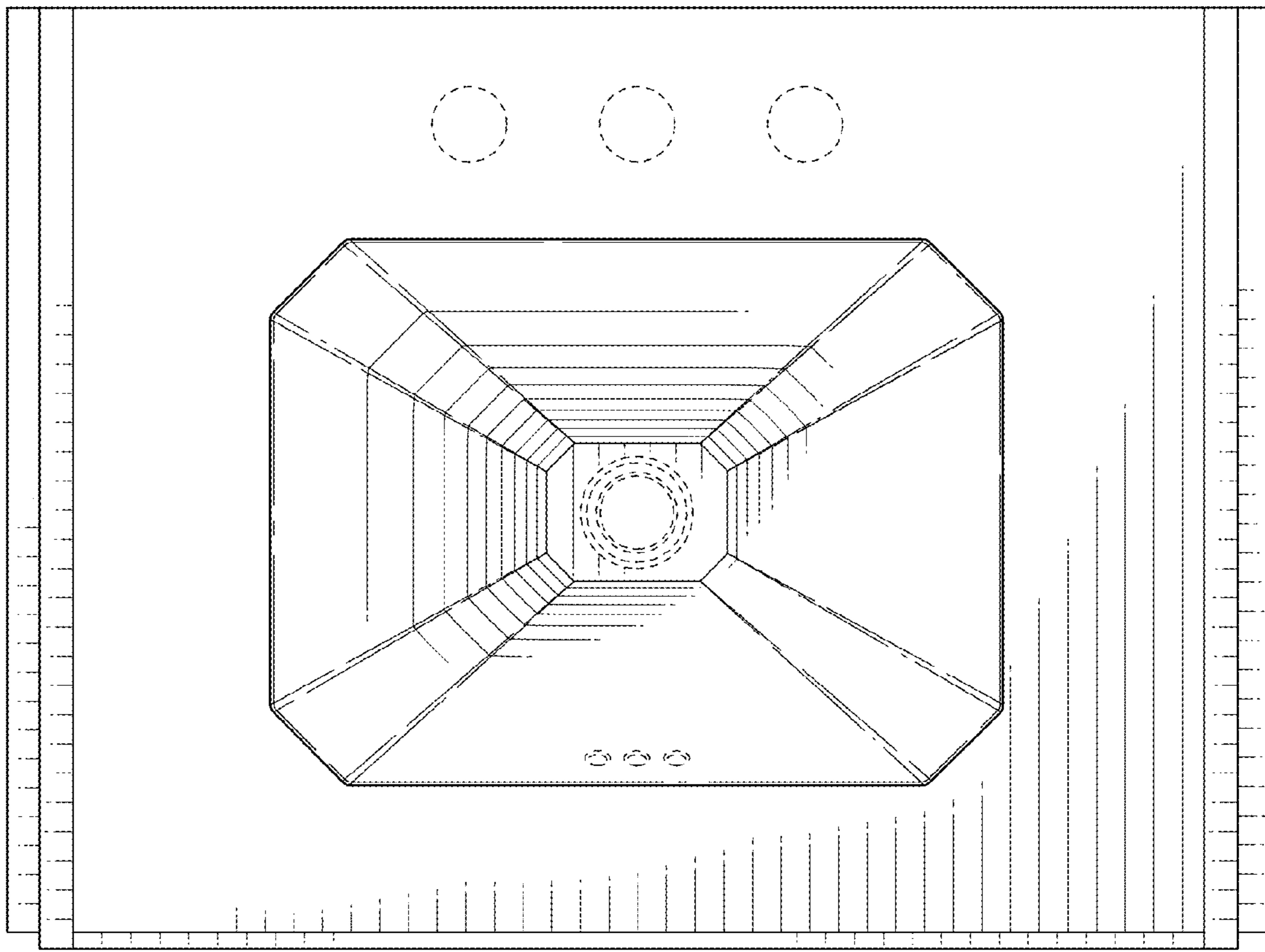


FIG. 6

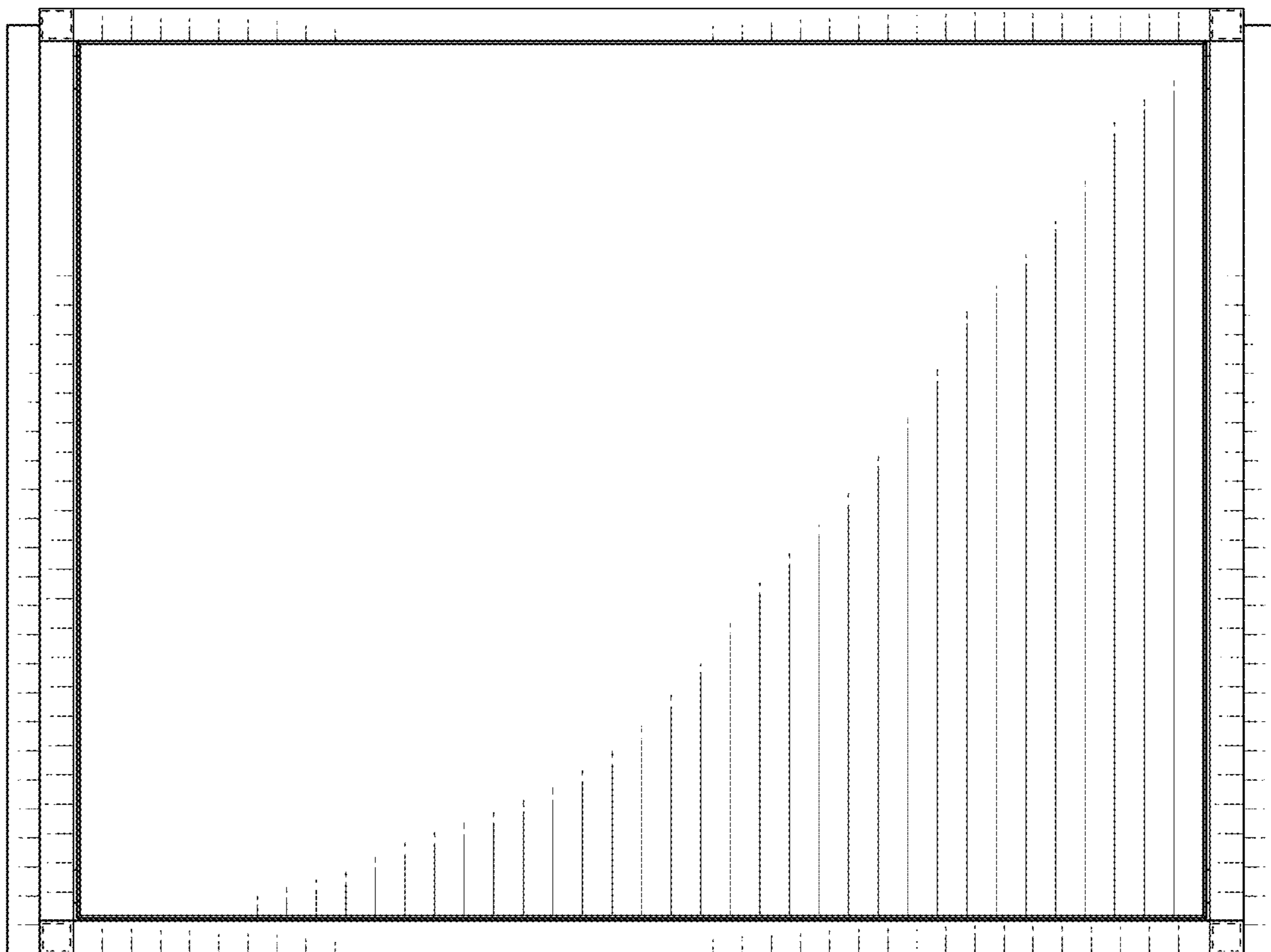


FIG. 7