

US00D936802S

(12) **United States Design Patent**
Noh

(10) **Patent No.:** **US D936,802 S**

(45) **Date of Patent:** **** Nov. 23, 2021**

(54) **JOINT PIPE TO DUCT CONNECTION**

(71) Applicant: **Sung-Keun Noh**, Suwon-Si (KR)

(72) Inventor: **Sung-Keun Noh**, Suwon-Si (KR)

(73) Assignee: **GREENAIRTECH CO., LTD.**,
Hwaseong-si (KR)

(**) Term: **15 Years**

(21) Appl. No.: **29/724,544**

(22) Filed: **Feb. 17, 2020**

(51) **LOC (13) Cl.** **23-01**

(52) **U.S. Cl.**
USPC **D23/262**

(58) **Field of Classification Search**
USPC D23/233, 249, 259, 262, 263–266, 393;
D32/31; 285/5, 7, 272–273, 127.1, 133.4,
285/148.22, 190, 239, 334.5; 251/148;
138/DIG. 4
CPC . F16L 57/07; F16L 3/003; F16L 25/14; F16L
43/00; F16L 9/18

See application file for complete search history.

(56) **References Cited**

U.S. PATENT DOCUMENTS

2,746,114 A * 5/1956 Williams A44B 19/32
24/389
2,907,592 A * 10/1959 Bailey F16L 41/08
285/219
D234,847 S * 4/1975 Hoffman D23/262
D242,616 S * 12/1976 Meyerhoff D12/214

D258,526 S * 3/1981 Nederman 285/148.19
4,997,209 A * 3/1991 McGrath A47L 9/242
15/314
D446,298 S * 8/2001 Thurman D23/262
D475,449 S * 6/2003 Stout, Jr. D23/266
D480,132 S * 9/2003 Stout, Jr. D23/393
D488,217 S * 4/2004 Stout, Jr. D23/393
6,830,065 B2 * 12/2004 Sinur F16K 15/03
137/527.8
D846,087 S * 4/2019 Naber D23/259
D896,351 S * 9/2020 Banks, III D23/262

FOREIGN PATENT DOCUMENTS

KR 30-2019-0040582 * 8/2019

* cited by examiner

Primary Examiner — Amy C Wierenga

(74) *Attorney, Agent, or Firm* — John K. Park; Park Law Firm

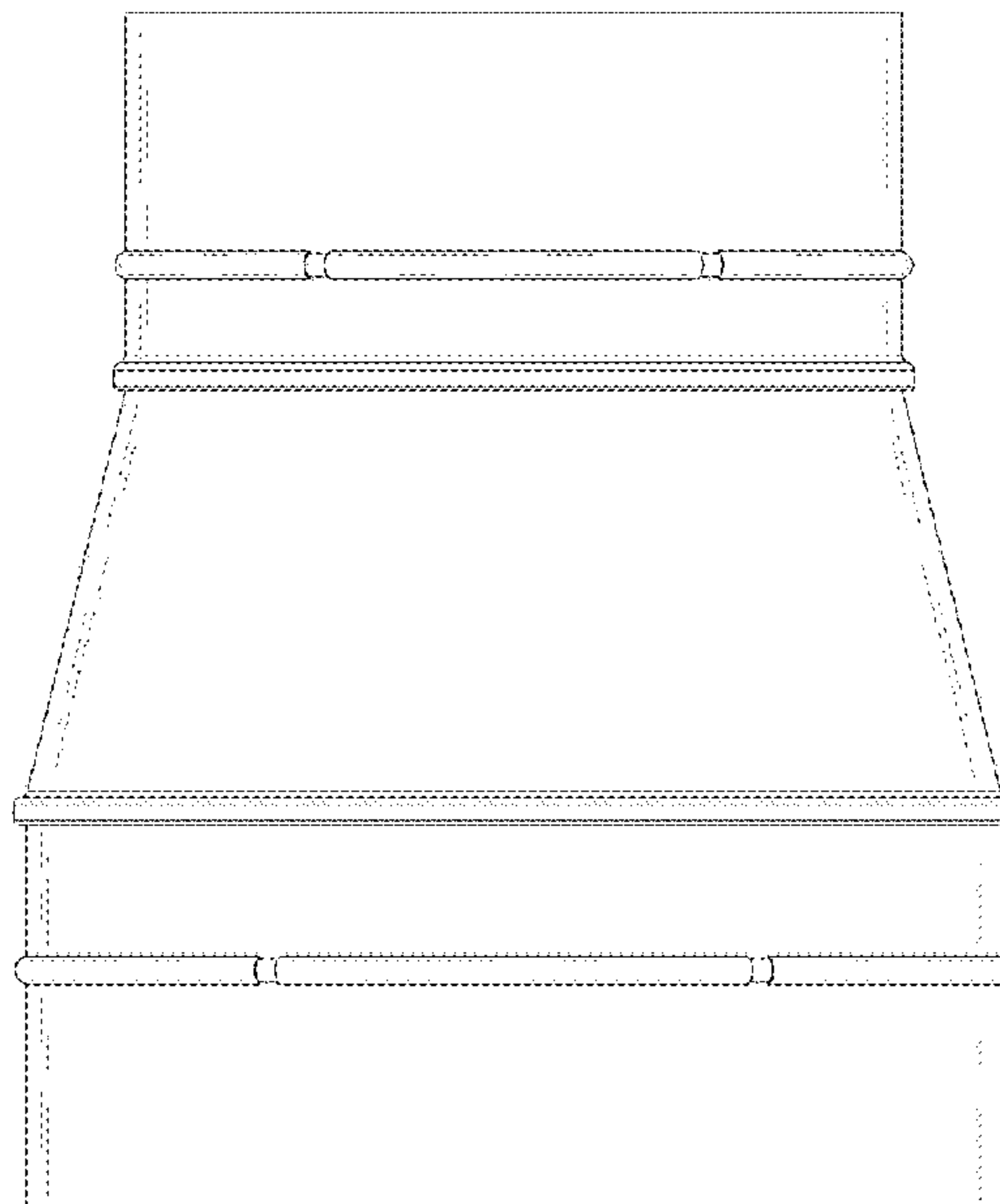
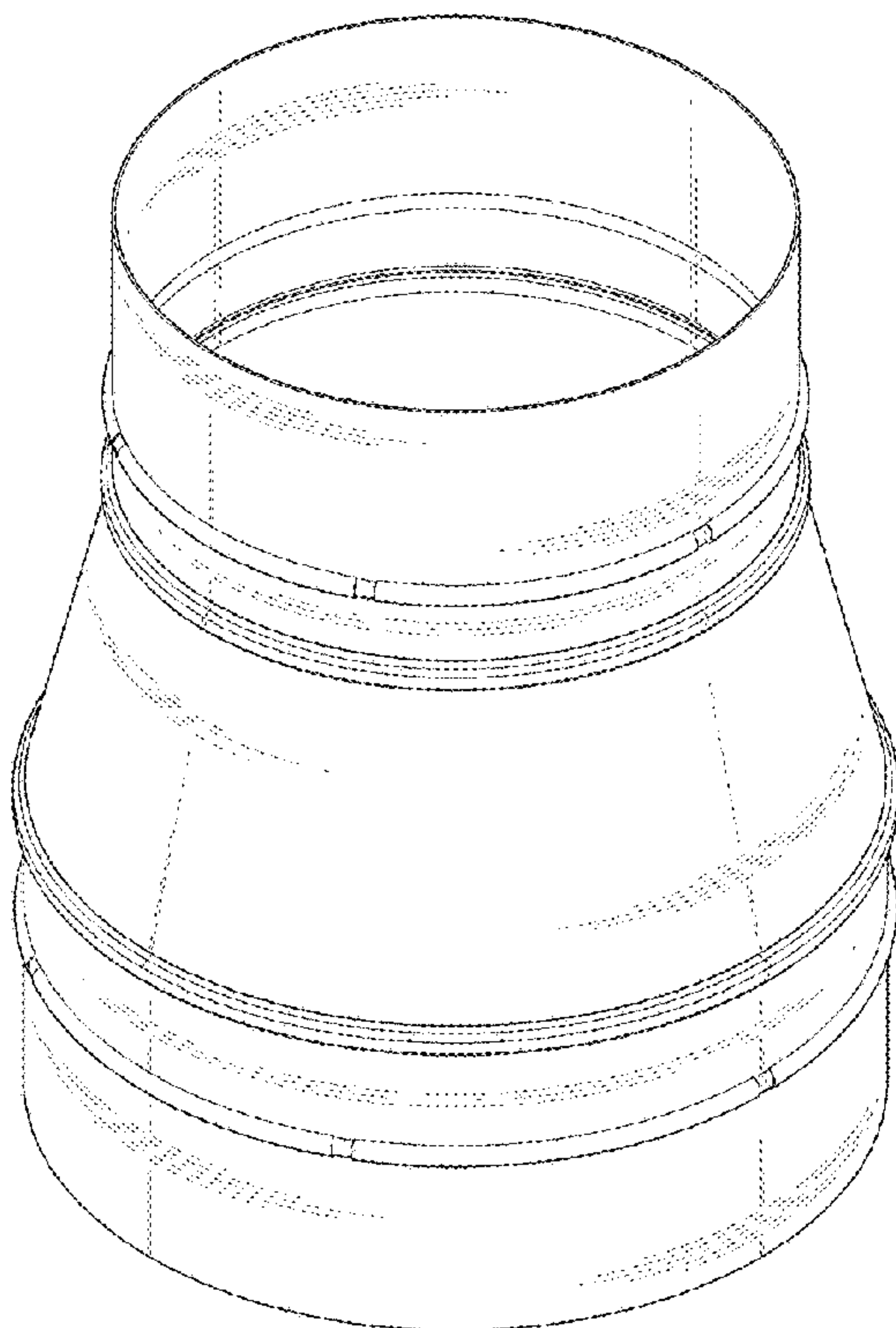
(57) **CLAIM**

The ornamental design for a joint pipe to duct connection, as shown and described.

DESCRIPTION

FIG. 1 is a perspective view of the joint pipe to duct connection showing my new design;
FIG. 2 is a front view thereof;
FIG. 3 is a rear view thereof;
FIG. 4 is a left side view thereof;
FIG. 5 is a right side view thereof;
FIG. 6 is a top plan view thereof; and,
FIG. 7 is a bottom plan view.

1 Claim, 7 Drawing Sheets



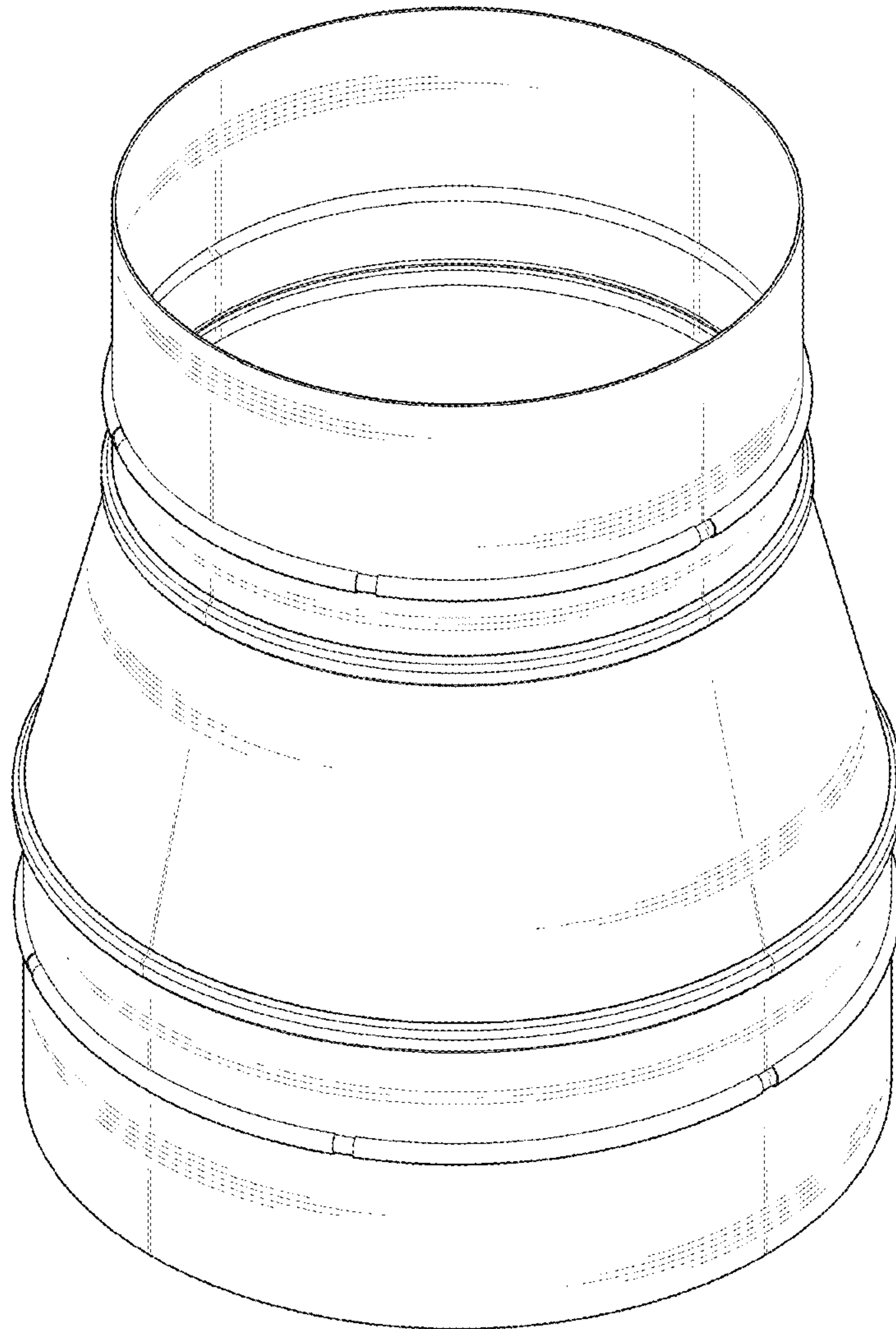


FIG. 1

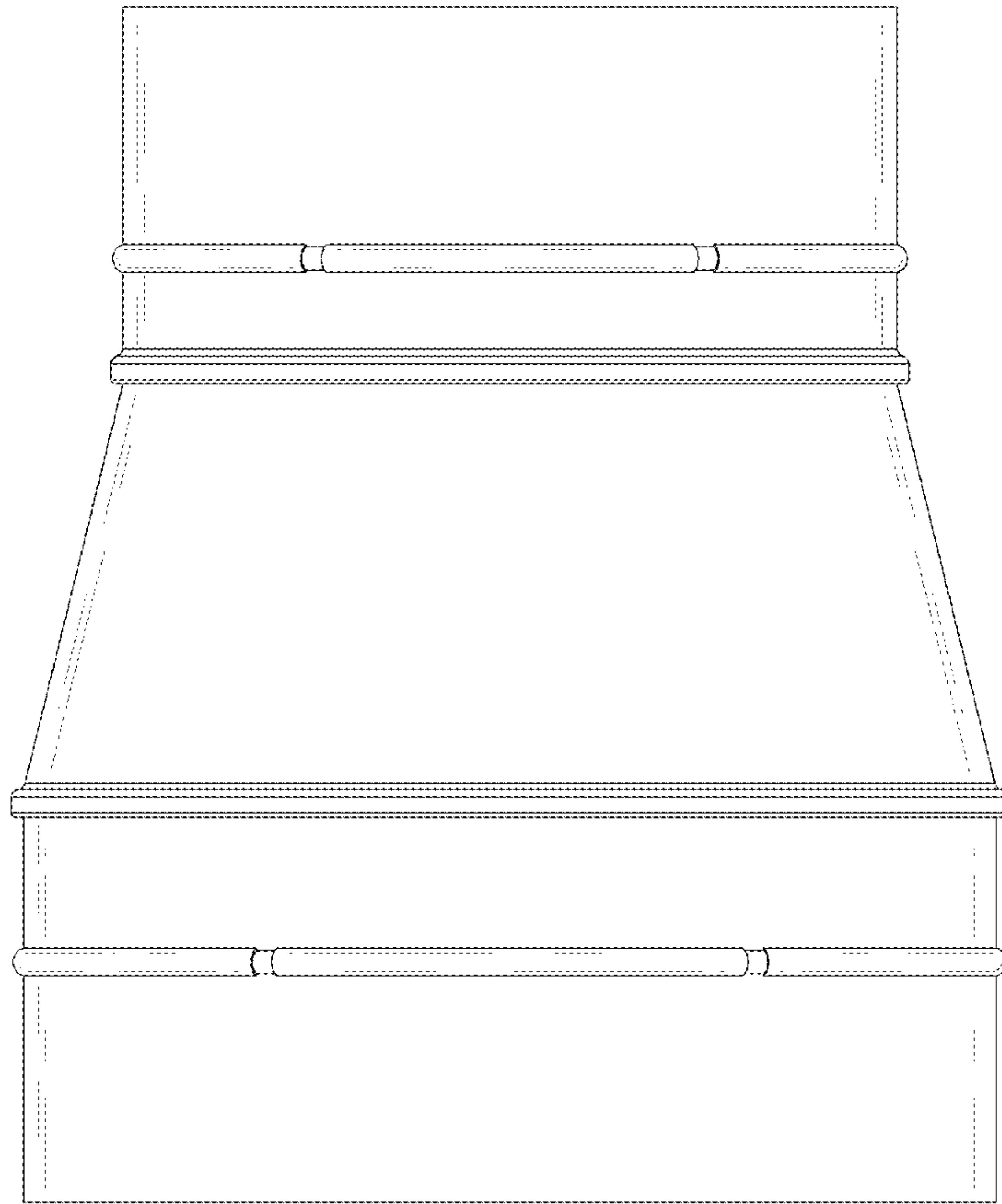


FIG. 2

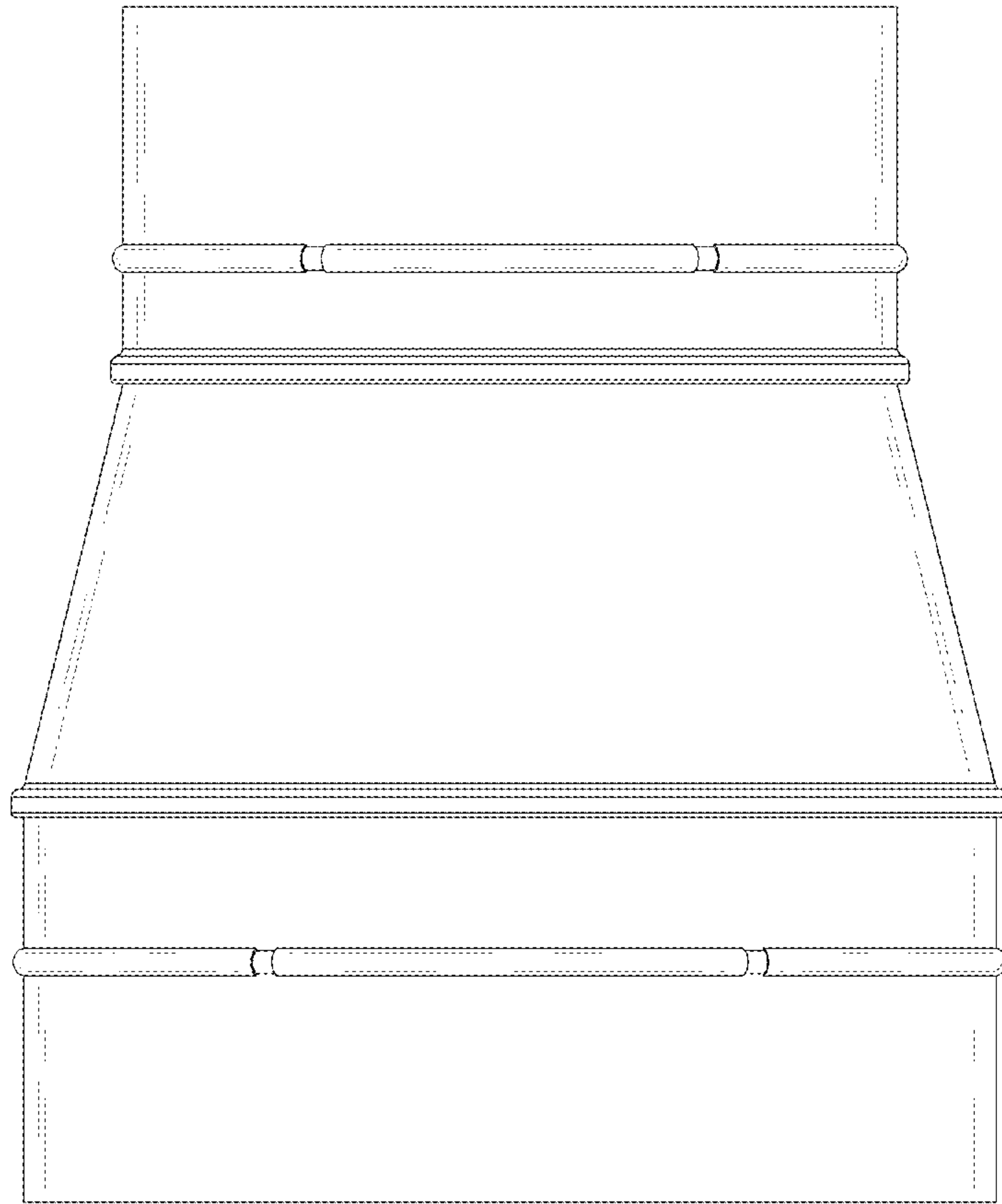


FIG. 3

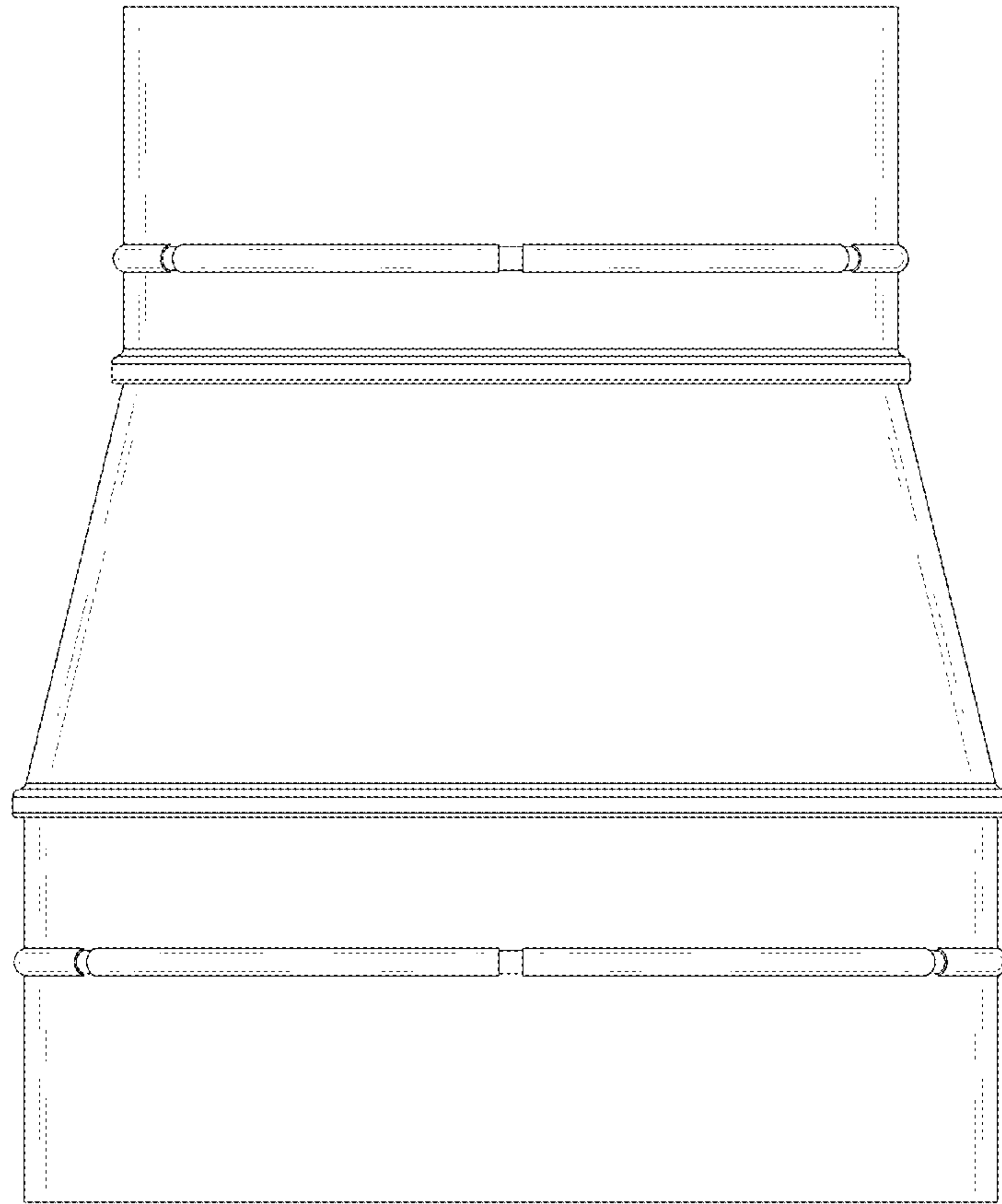


FIG.4

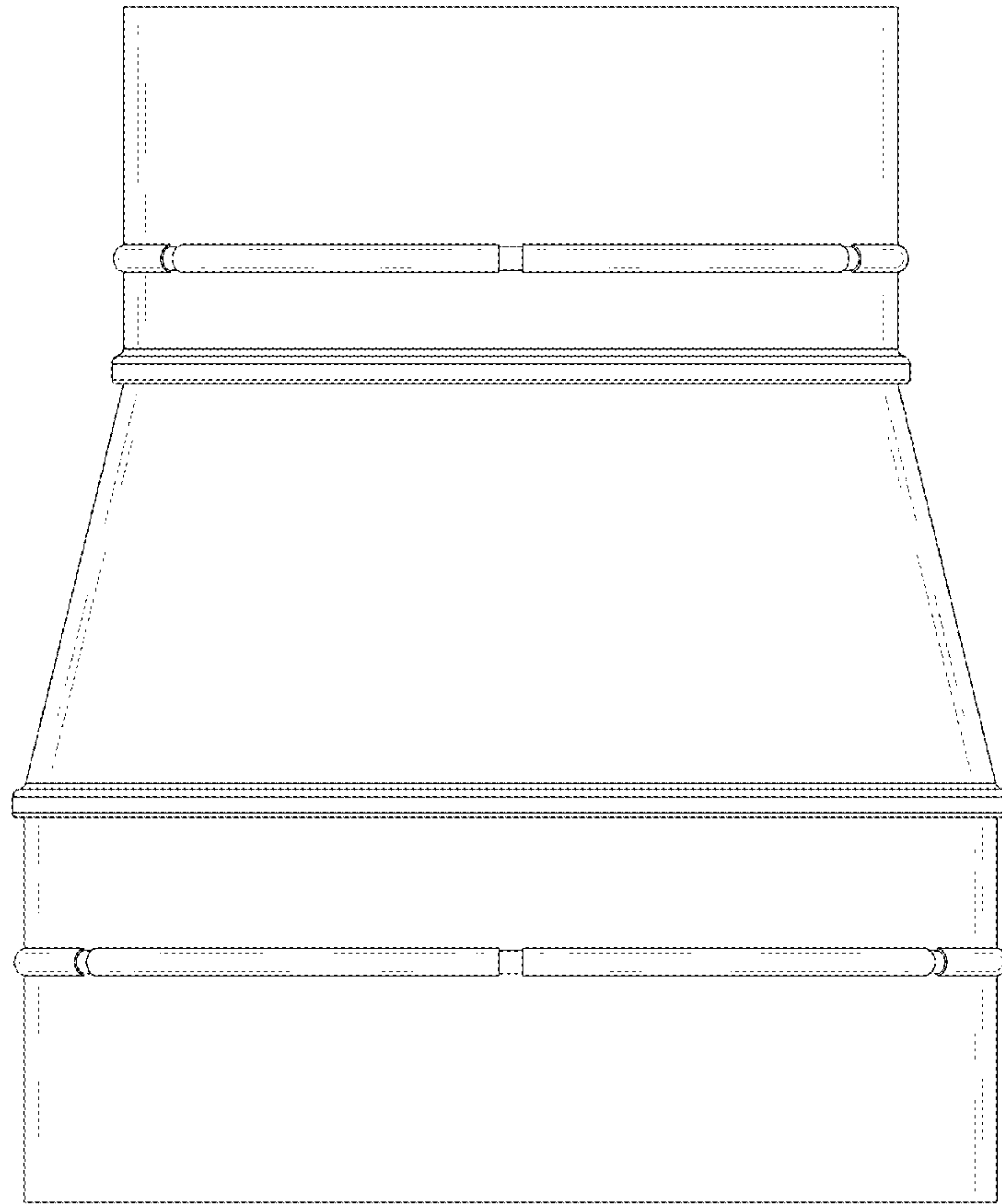


FIG.5

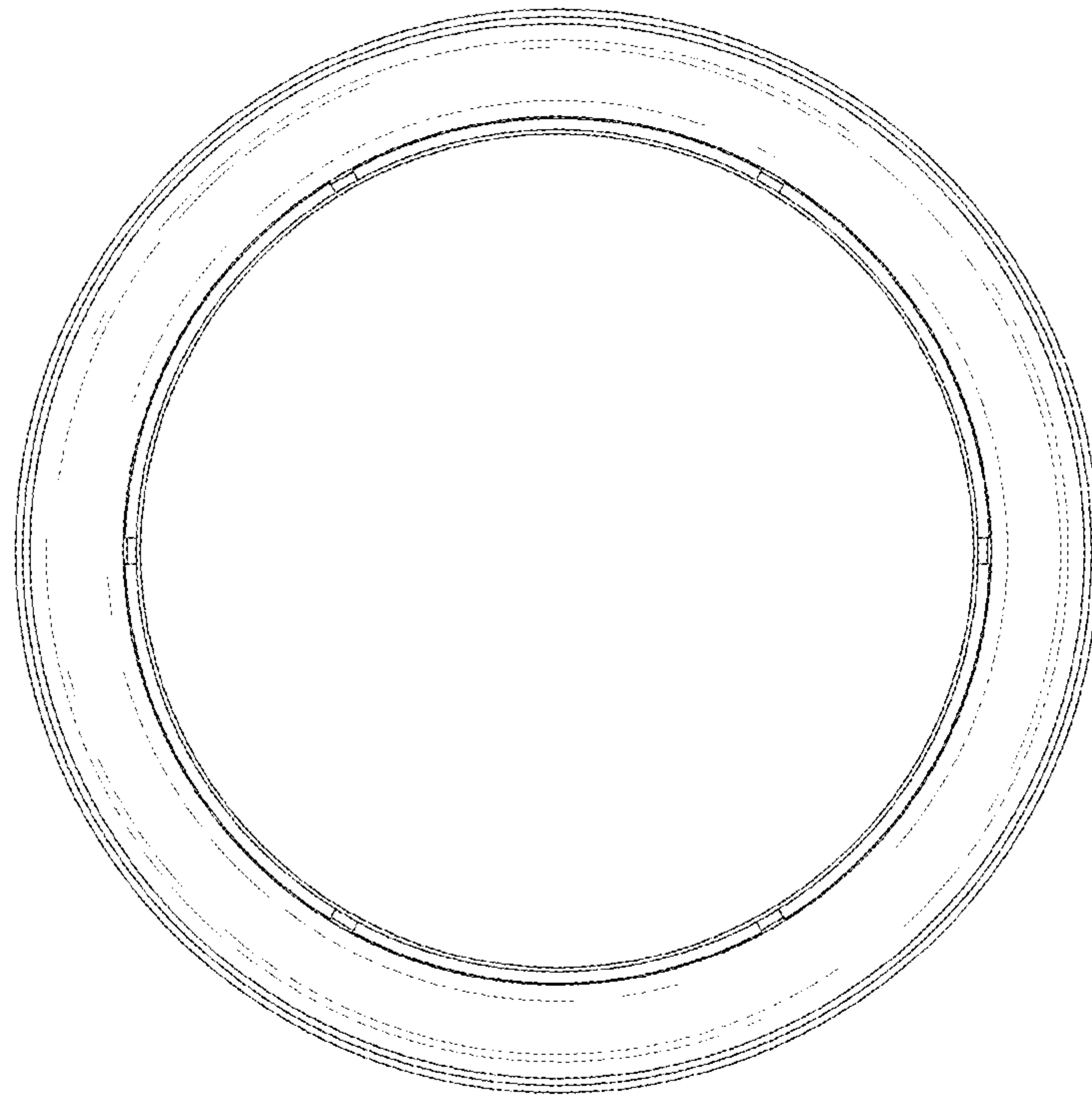


FIG. 6

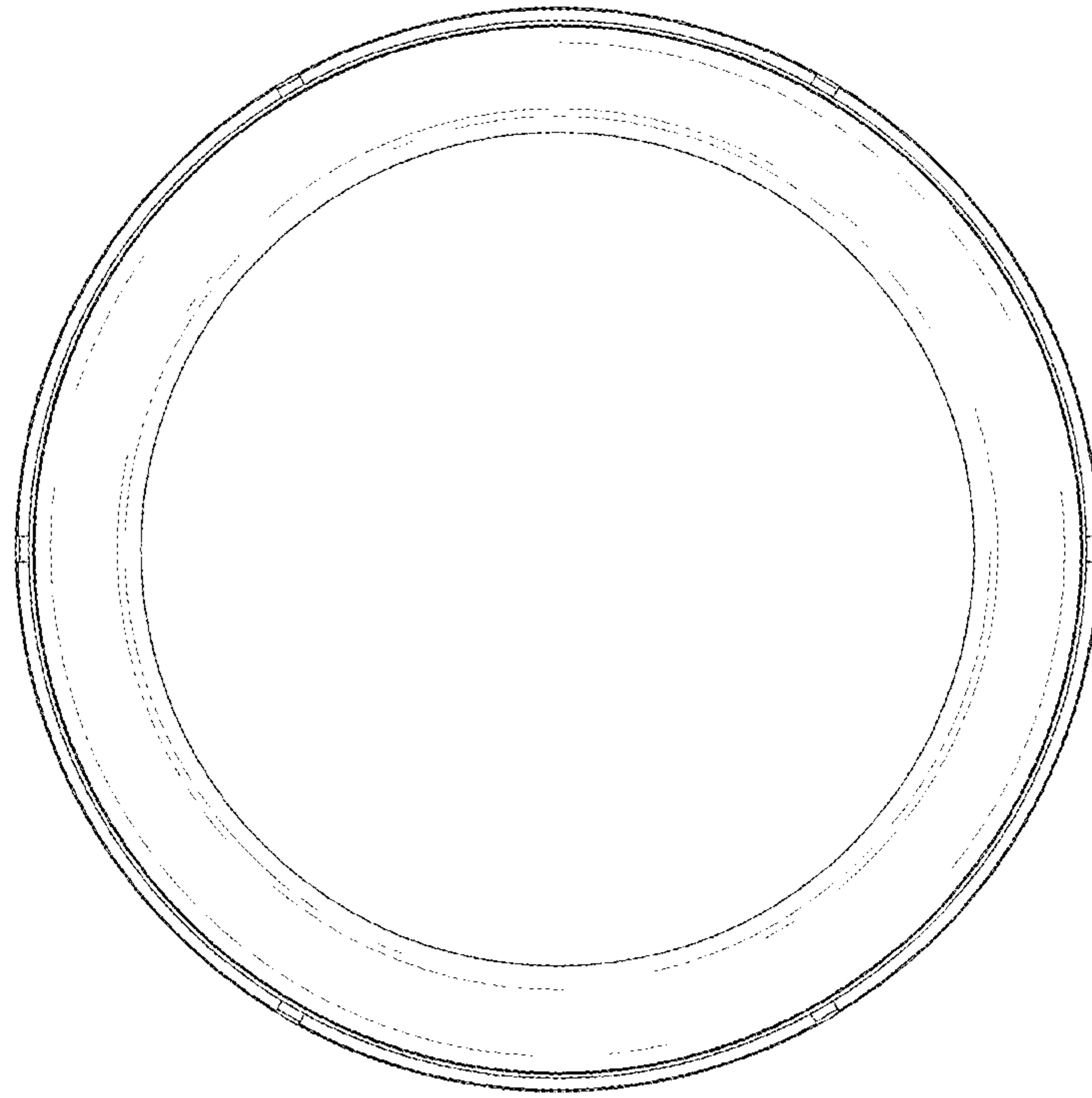


FIG. 7