



US00D936801S

(12) **United States Design Patent**
Truesdel

(10) **Patent No.:** **US D936,801 S**

(45) **Date of Patent:** **** Nov. 23, 2021**

(54) **CURB STOP DEVICE**

(71) Applicant: **Russell Truesdel**, Batesville, IN (US)

(72) Inventor: **Russell Truesdel**, Batesville, IN (US)

(**) Term: **15 Years**

(21) Appl. No.: **29/694,994**

(22) Filed: **Jun. 14, 2019**

(51) **LOC (13) Cl.** **23-01**

(52) **U.S. Cl.**
USPC **D23/260**

(58) **Field of Classification Search**
USPC D23/259–260, 261–262, 264–266, 206,
D23/209, 213, 233–235, 235–237, 245,
D23/249; D9/434–435, 439, 438,
D9/452–454, 440, 447; 210/435, 449,
210/459, 460, 479; 285/86–93, 114–116,
285/179, 388; 52/302.1; 138/40–41, 89,
138/90, 96 R, 96 T; 137/364, 367–368
CPC E03F 5/14; B01D 35/04
See application file for complete search history.

(56) **References Cited**

U.S. PATENT DOCUMENTS

996,596 A	6/1911	Lindner
1,108,031 A	8/1914	Tyler et al.
2,099,479 A	11/1937	Heinkel et al.
2,691,384 A	10/1954	Mueller et al.
4,030,519 A	6/1977	Zinn
4,064,902 A	12/1977	Swenson
4,239,056 A	12/1980	Shope
4,308,886 A	1/1982	Handley et al.
4,310,015 A	1/1982	Stewart et al.
4,325,405 A	4/1982	Christo
4,331,178 A	5/1982	Handley et al.
4,333,494 A	6/1982	Shope
4,534,378 A	8/1985	Gagas et al.
4,556,081 A	12/1985	Gagas

4,572,236 A	2/1986	Baker
4,691,733 A	9/1987	Zinn
4,819,687 A	4/1989	Alberico et al.
4,905,725 A	3/1990	Sinkinson et al.
D311,056 S *	10/1990	Patterson D23/260
D344,763 S *	3/1994	Vitantonio D20/28
5,327,925 A	7/1994	Ortel
5,394,898 A	3/1995	Turner
D373,622 S *	9/1996	Burden D23/200
5,634,488 A	6/1997	Martin
5,671,772 A	9/1997	Bliss
5,730,180 A	3/1998	Alberico
5,738,140 A	4/1998	Mann
5,871,030 A	2/1999	Agbay

(Continued)

FOREIGN PATENT DOCUMENTS

CA	3000722 A1	10/2018
EP	0115407 A2	8/1984

(Continued)

Primary Examiner — Amy C Wierenga

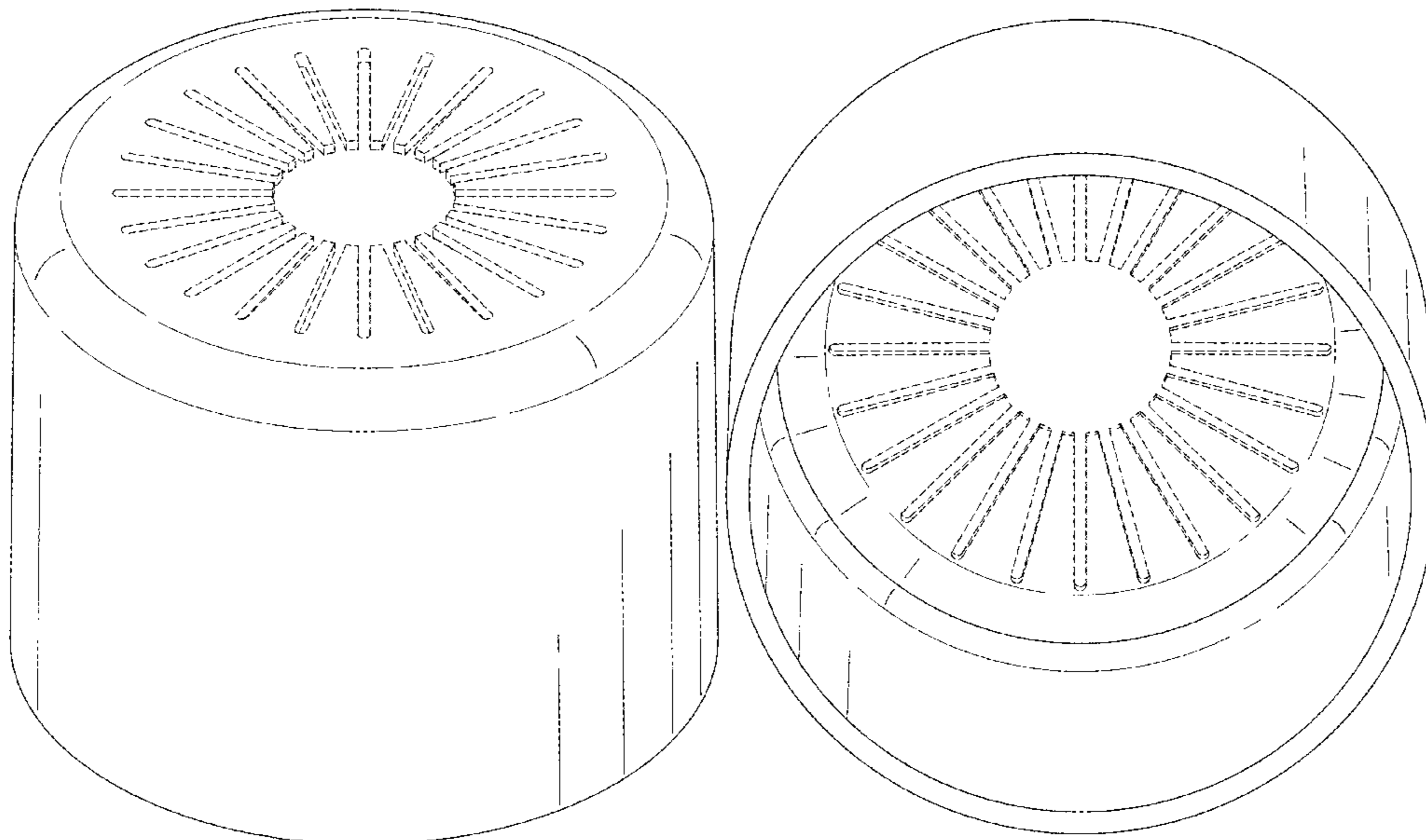
(57) **CLAIM**

The ornamental design for a curb stop device, as shown and described.

DESCRIPTION

FIG. 1 is a front perspective view of a curb stop device, embodying the new design;
FIG. 2 is a bottom perspective view of the curb stop device of FIG. 1;
FIG. 3 is a side (all sides are identical) view of the curb stop device of FIG. 1;
FIG. 4 is a top plan view of the curb stop device of FIG. 1; and,
FIG. 5 is a bottom plan view of the curb stop device of FIG. 1.
The broken lines in the drawings illustrate portions of the curb stop device that form no part of the claim.

1 Claim, 5 Drawing Sheets



(56)

References Cited

U.S. PATENT DOCUMENTS

5,950,654	A	9/1999	Paylor	
5,983,925	A	11/1999	Miller	
6,202,675	B1	3/2001	Forte	
D486,891	S *	2/2004	Cronce, Jr.	D23/260
6,802,337	B2	10/2004	Phipps	
7,117,883	B1	10/2006	Vitalo	
D546,924	S *	7/2007	Gagas	D23/244
D577,106	S *	9/2008	Gagas	D23/248
7,556,239	B2	7/2009	Beebe	
D598,286	S *	8/2009	DeMarco	D9/500
7,870,867	B2	1/2011	Agbay	
8,047,221	B1	11/2011	Tenor	
8,091,571	B2	1/2012	Weisz et al.	
D661,784	S *	6/2012	Joss	D23/260
D744,068	S *	11/2015	Turner	D23/260
D744,069	S *	11/2015	Turner	D23/260
D745,949	S	12/2015	Meyer et al.	
D756,222	S *	5/2016	Lopez	D9/454
D764,637	S	8/2016	Ducote et al.	
9,518,369	B2	12/2016	Ducote et al.	
9,856,632	B2	1/2018	Roell et al.	
9,879,812	B2 *	1/2018	Roell	F16L 55/07
2007/0044841	A1	3/2007	Gagas	
2008/0023076	A1	1/2008	Weisz et al.	
2009/0065519	A1	3/2009	Kearby et al.	
2009/0277910	A1 *	11/2009	Buttz	G01F 15/185 220/484
2009/0304445	A1	12/2009	Salas	
2016/0169408	A1	6/2016	Smith	
2016/0252187	A1	9/2016	Roell	

FOREIGN PATENT DOCUMENTS

GB	2517308	A	2/2015
KR	101171870	B1	8/2012

* cited by examiner

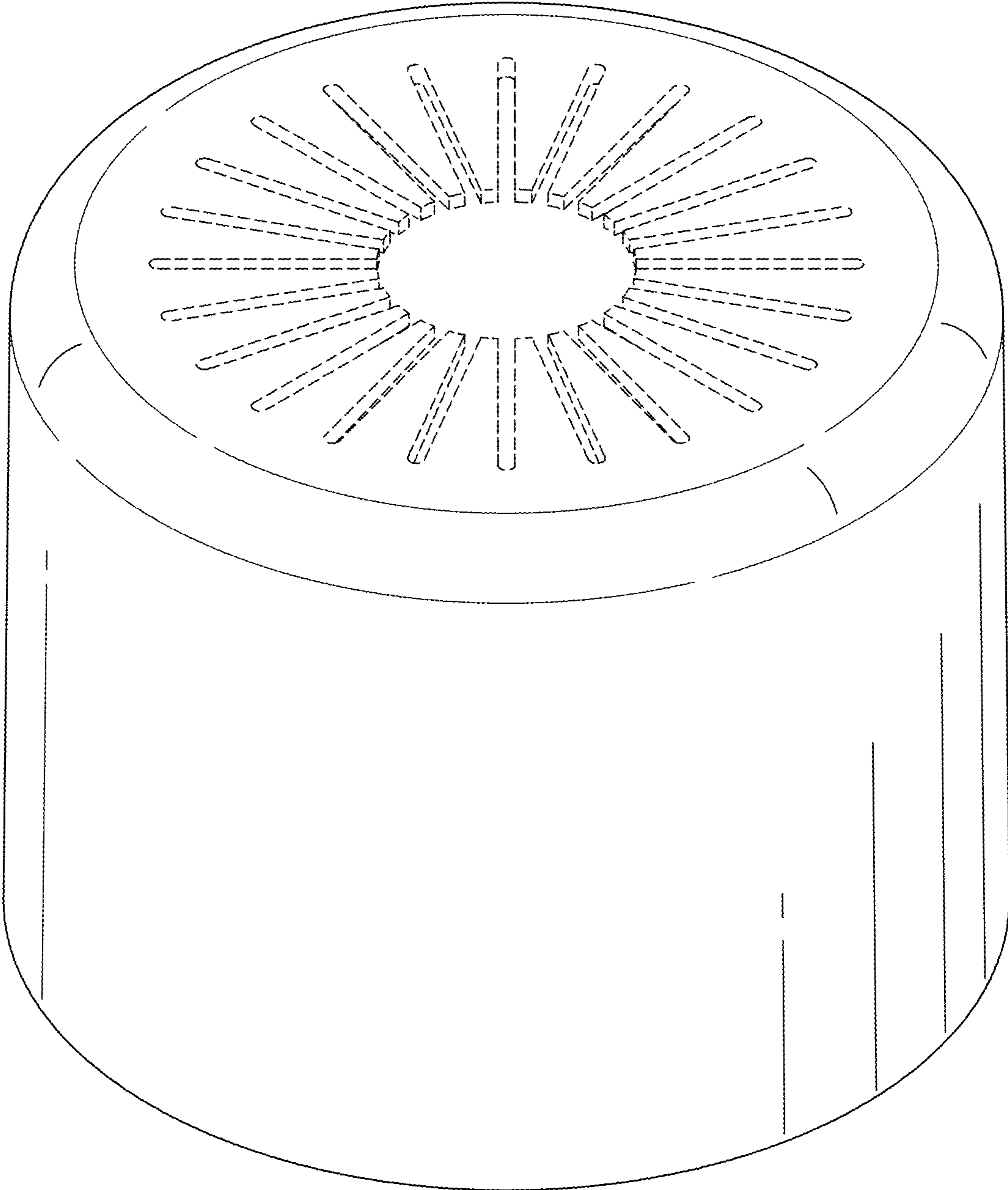


FIG. 1

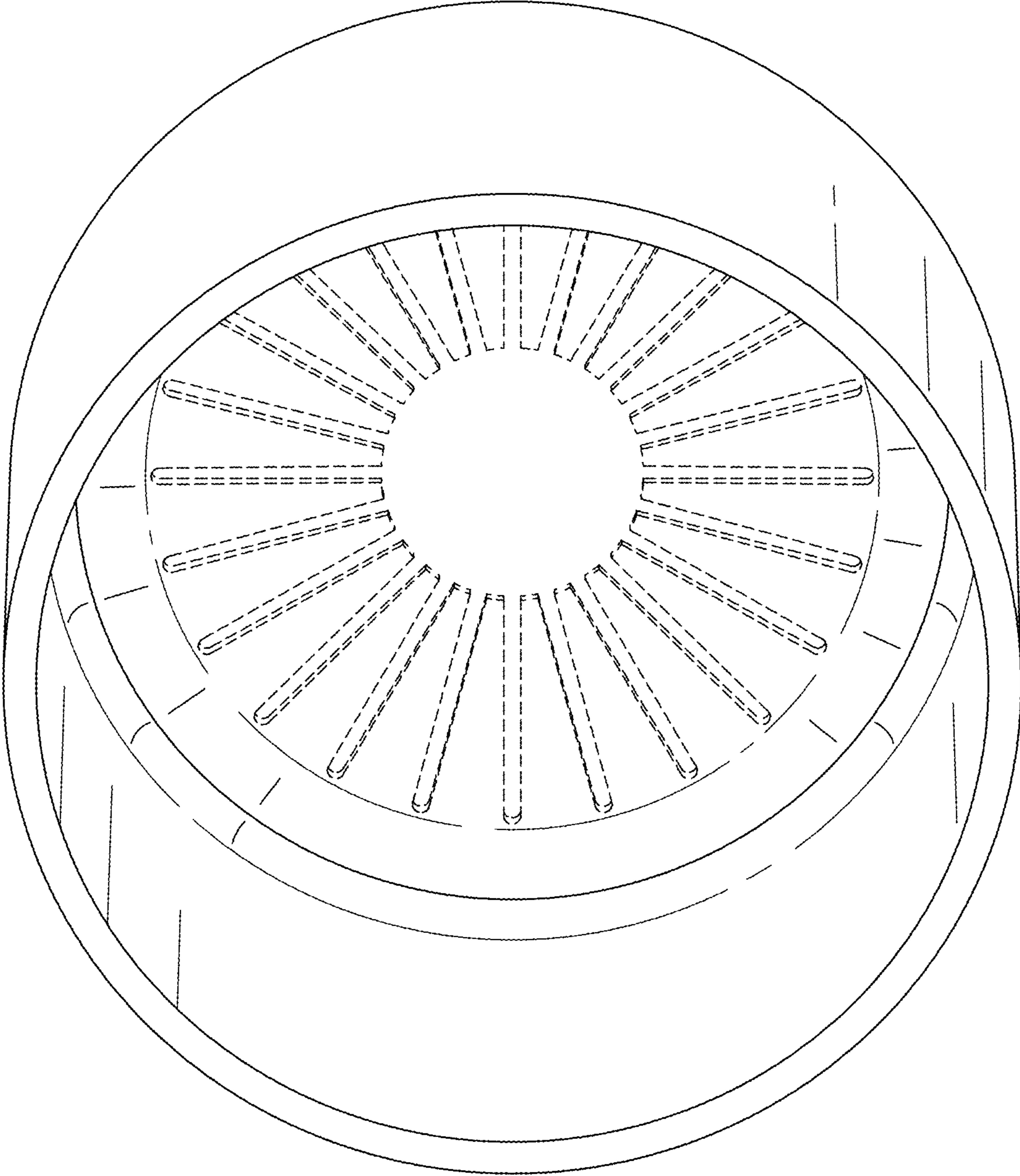


FIG. 2

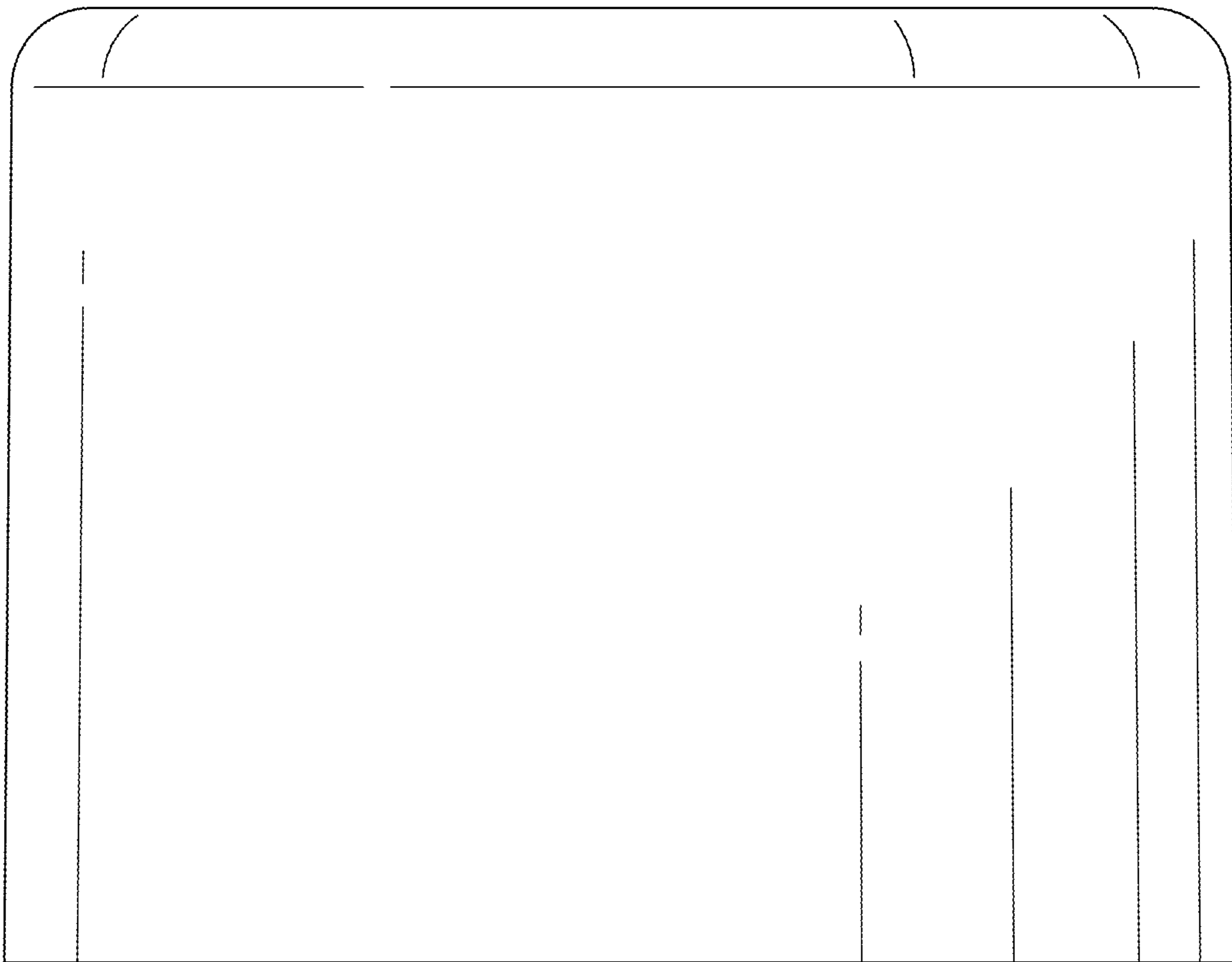


FIG. 3

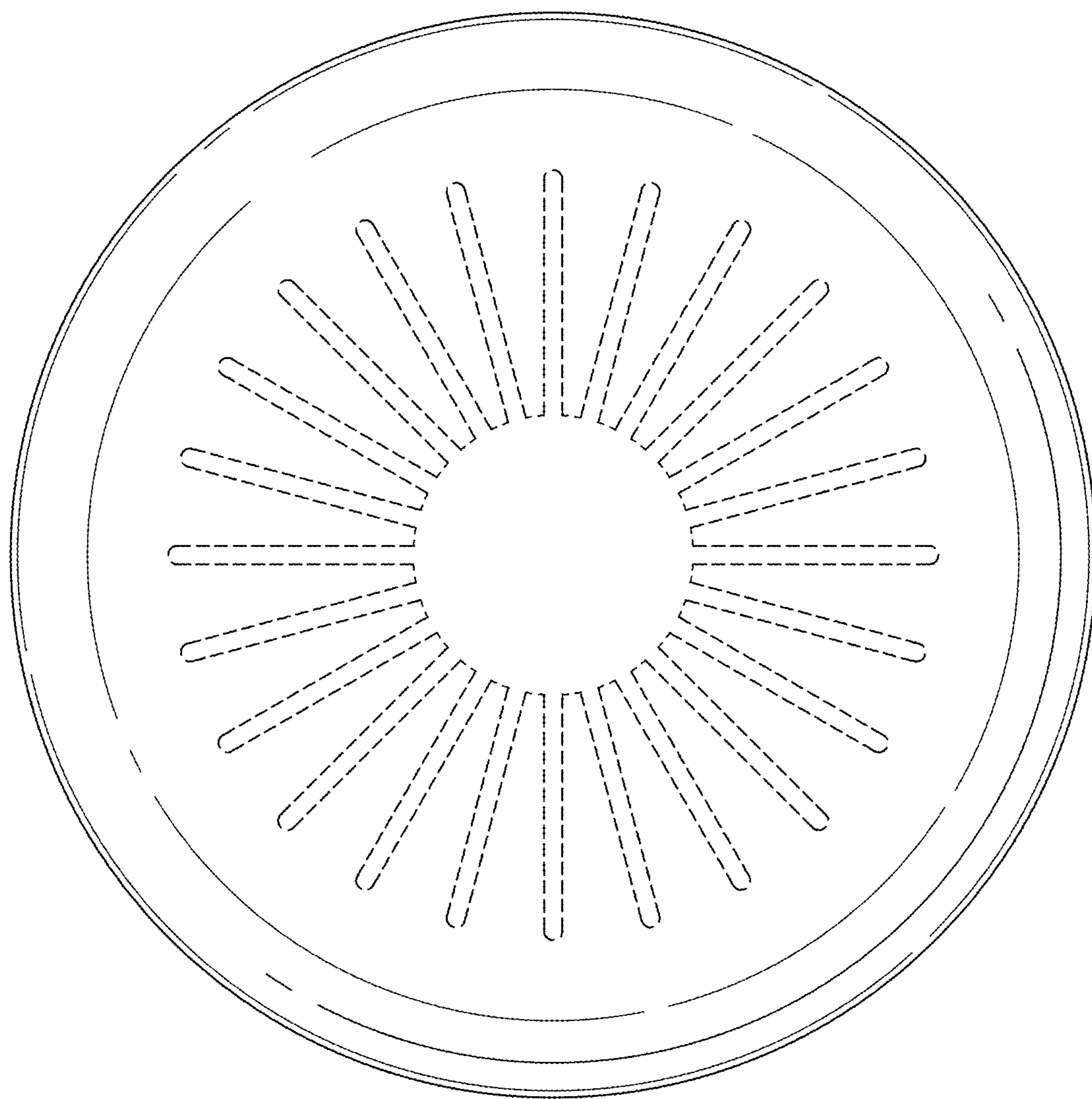


FIG. 4

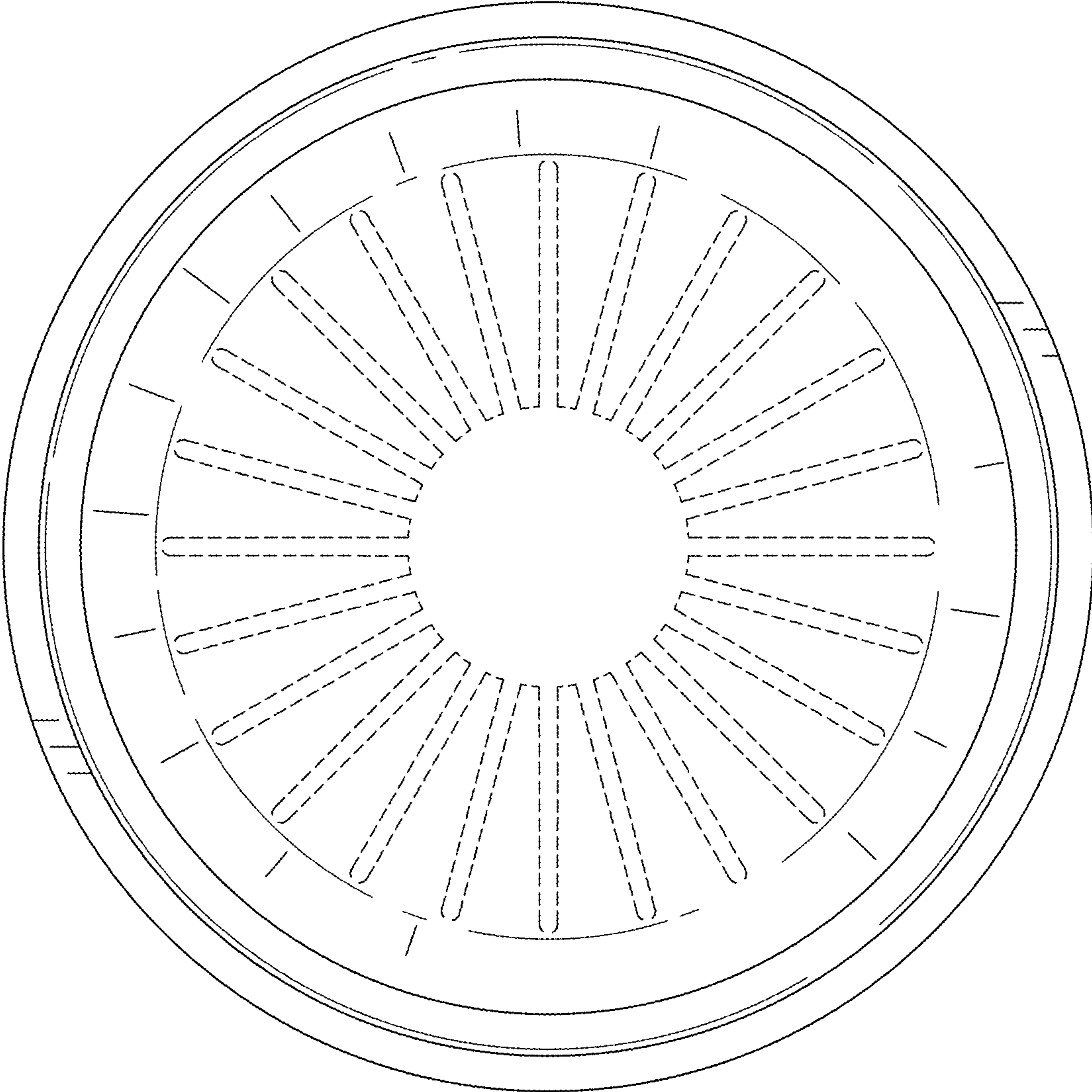


FIG. 5