



US00D936798S

(12) **United States Design Patent**
Lazarini

(10) **Patent No.:** **US D936,798 S**

(45) **Date of Patent:** **** Nov. 23, 2021**

(54) **VALVE**

D811,545 S * 2/2018 Garland D23/252
D862,657 S * 10/2019 Bahler D23/252
D921,846 S * 6/2021 Lazarini D23/252

(71) Applicant: **DELTA FAUCET COMPANY,**
Indianapolis, IN (US)

* cited by examiner

(72) Inventor: **Alejandra Lazarini,** Carmel, IN (US)

Primary Examiner — Robert A Delehanty

(73) Assignee: **DELTA FAUCET COMPANY,**
Indianapolis, IN (US)

(74) *Attorney, Agent, or Firm* — Nirav D. Parikh; Edgar
A. Zarins

(**) Term: **15 Years**

(57) **CLAIM**

(21) Appl. No.: **29/720,233**

The ornamental design for a valve, as shown and described.

(22) Filed: **Jan. 10, 2020**

(51) **LOC (13) Cl.** **23-01**

(52) **U.S. Cl.**
USPC **D23/254**

(58) **Field of Classification Search**
USPC D23/238–243, 250, 524, 213, 252, 254;
D8/307–308, 353

See application file for complete search history.

DESCRIPTION

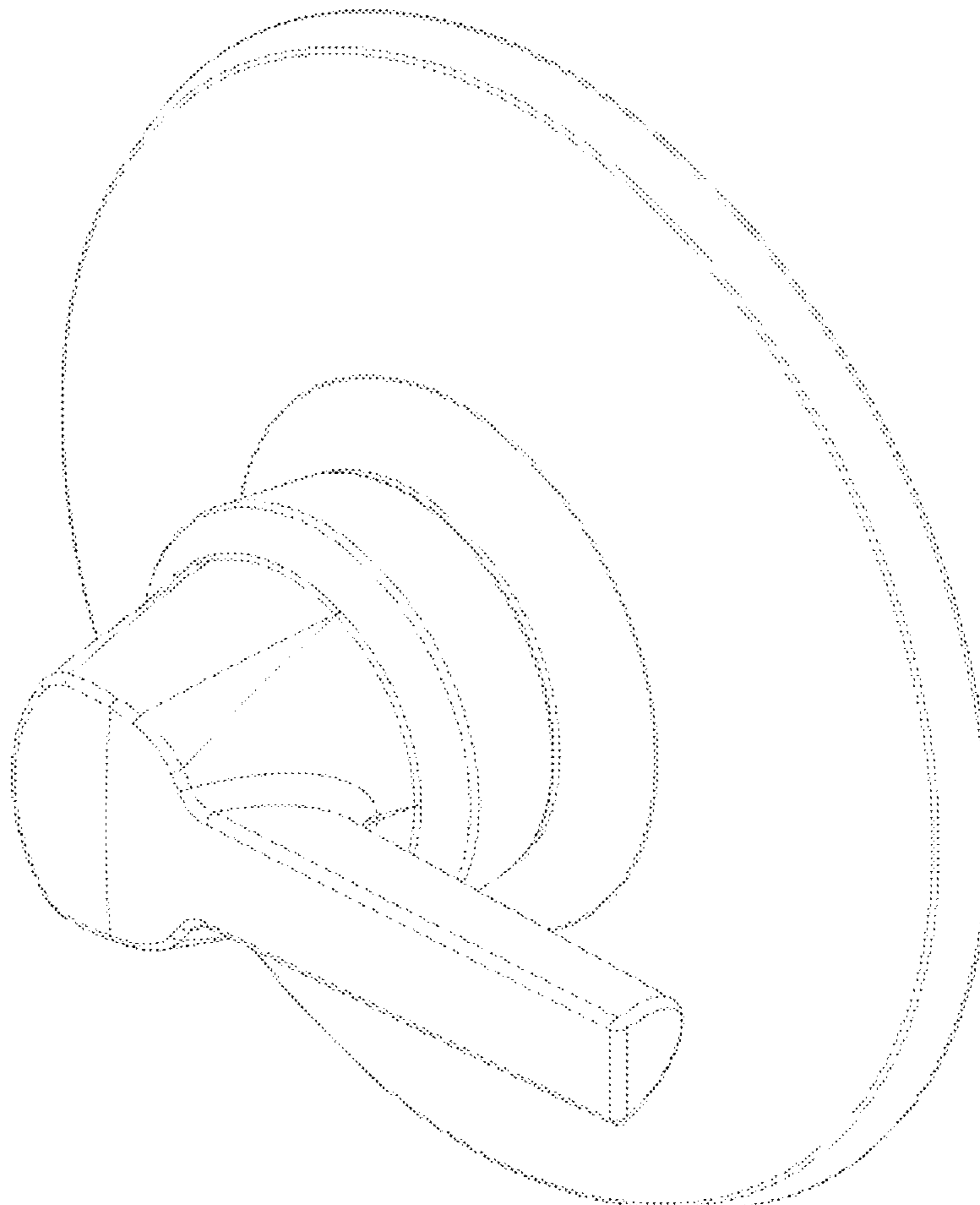
FIG. 1 is a front perspective view of a valve showing my new design;
FIG. 2 is a rear perspective view thereof;
FIG. 3 is a front elevational view thereof;
FIG. 4 is a left side view thereof;
FIG. 5 is a rear view thereof;
FIG. 6 is a right side view thereof;
FIG. 7 is a top plan view thereof; and,
FIG. 8 is a bottom view thereof.

(56) **References Cited**

U.S. PATENT DOCUMENTS

D740,395 S * 10/2015 Flowers D23/252
D764,639 S * 8/2016 Garland D23/252

1 Claim, 4 Drawing Sheets



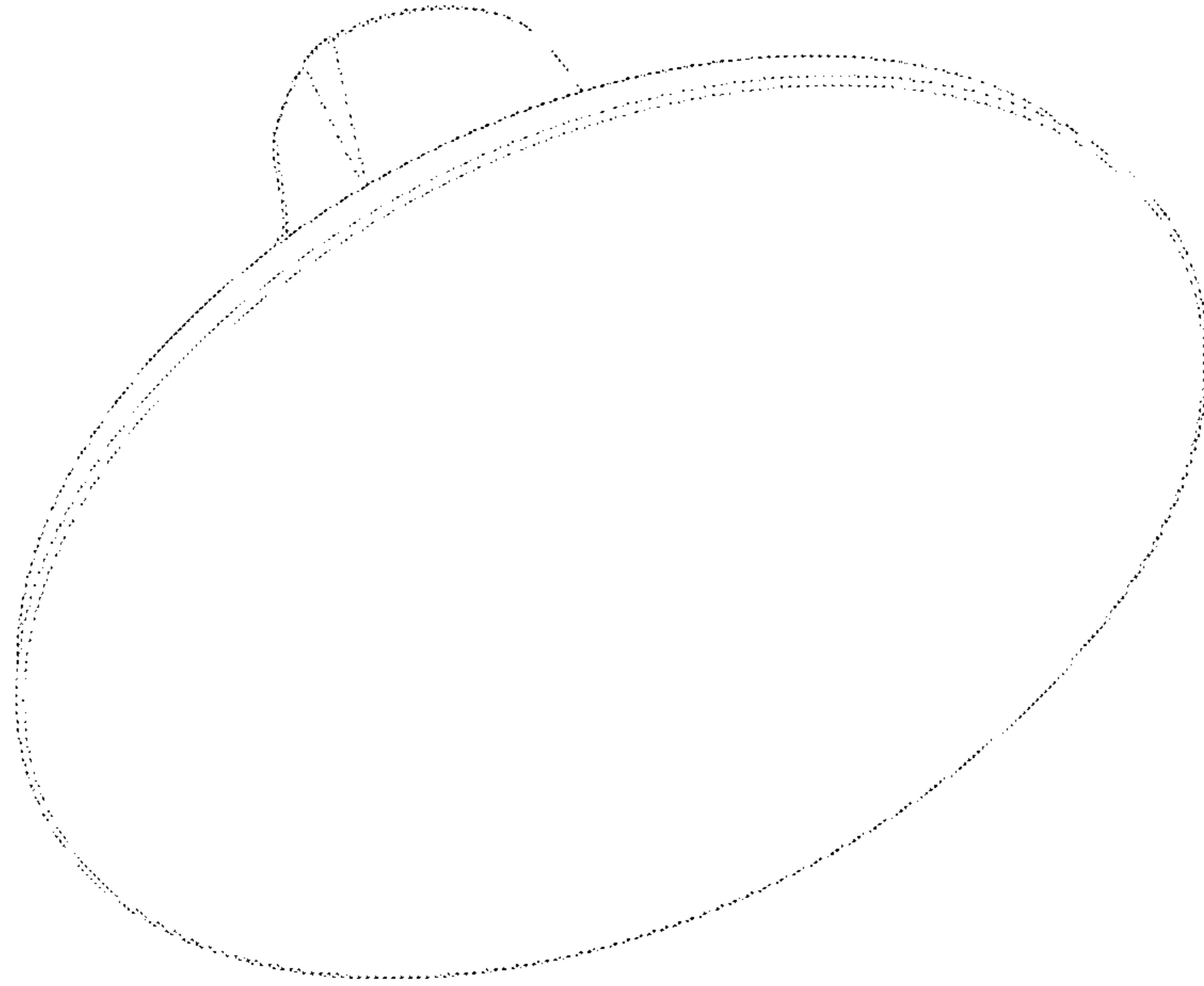


FIG. 1

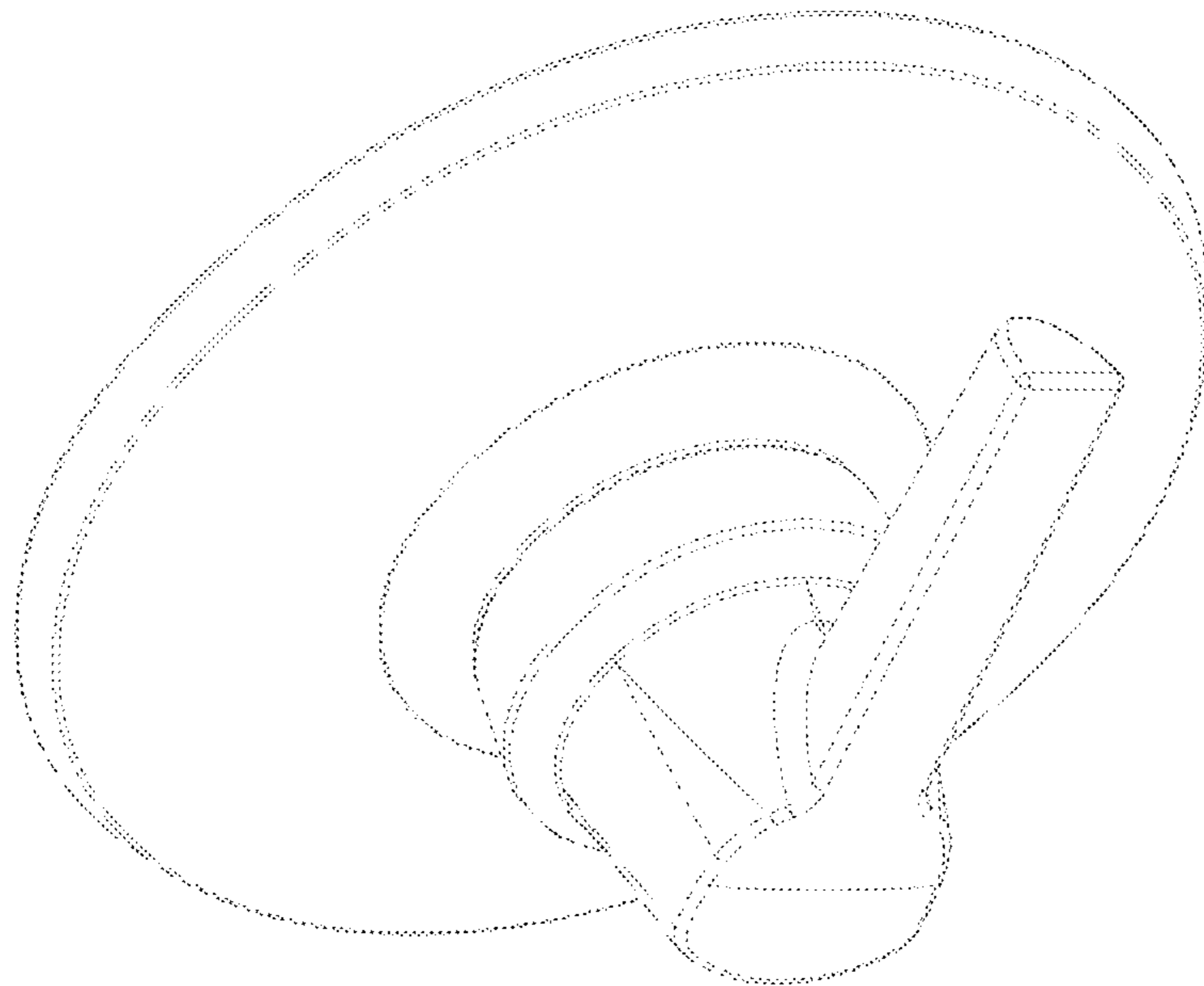


FIG. 2

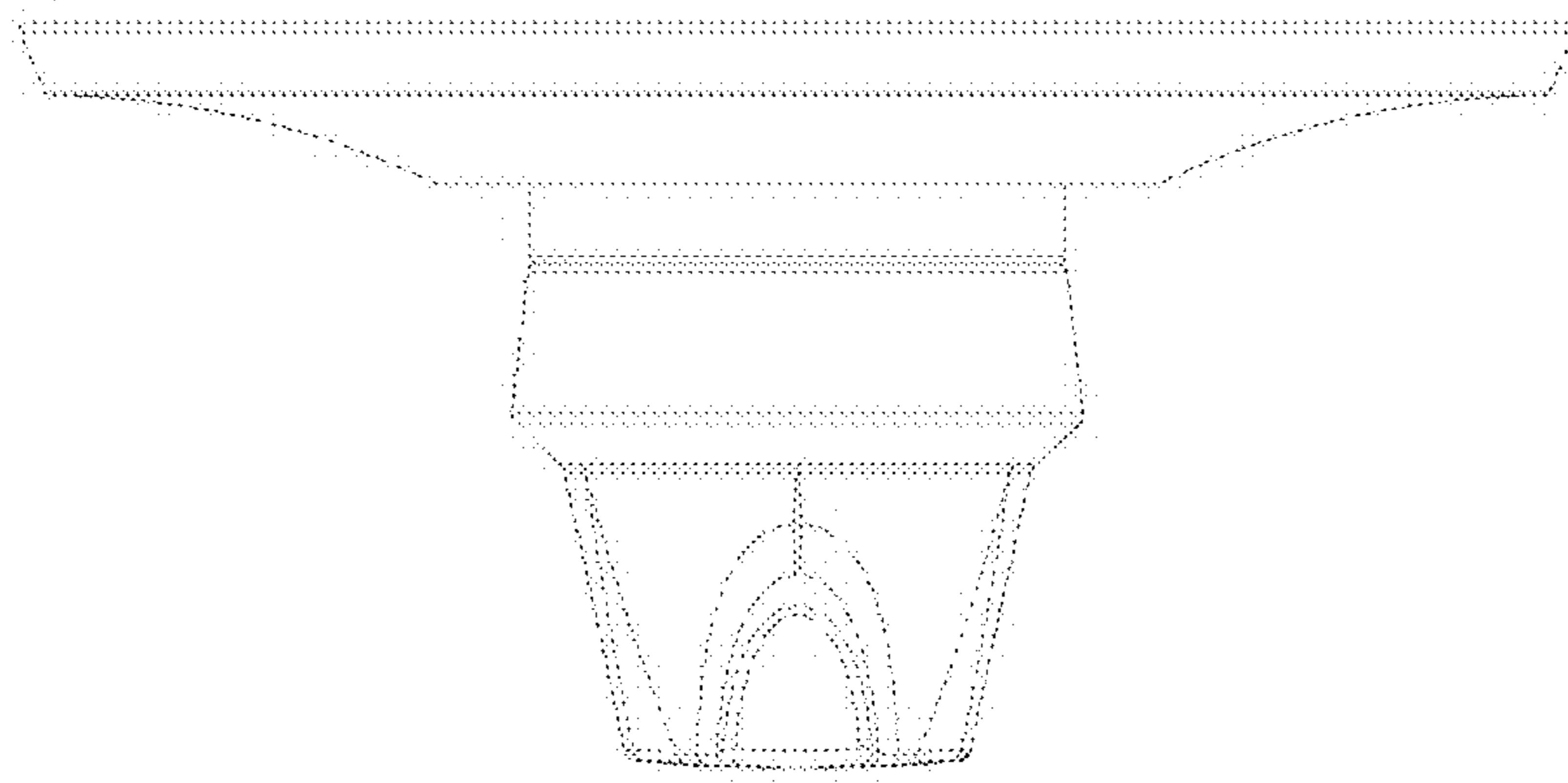


FIG. 1

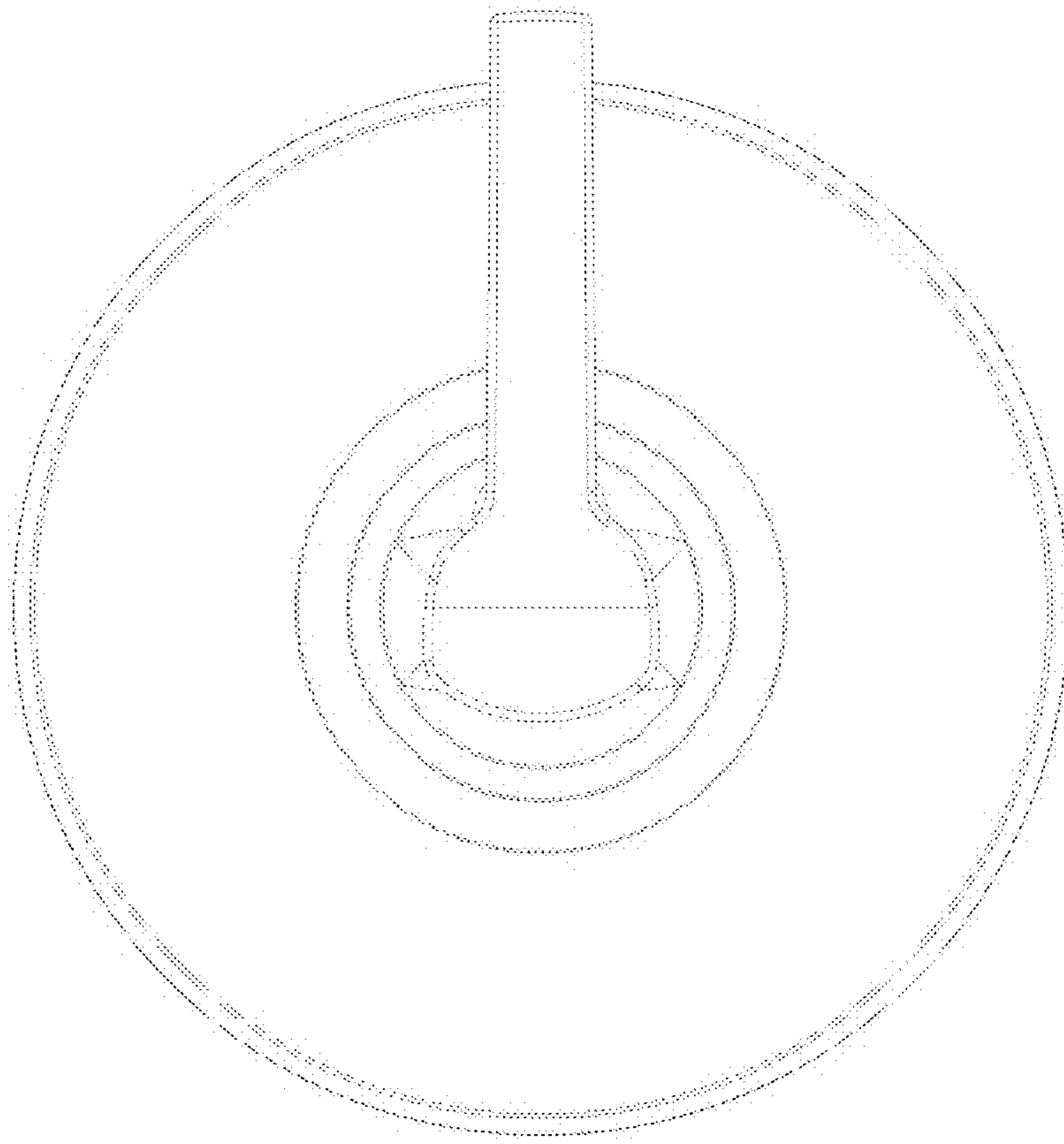


FIG. 2

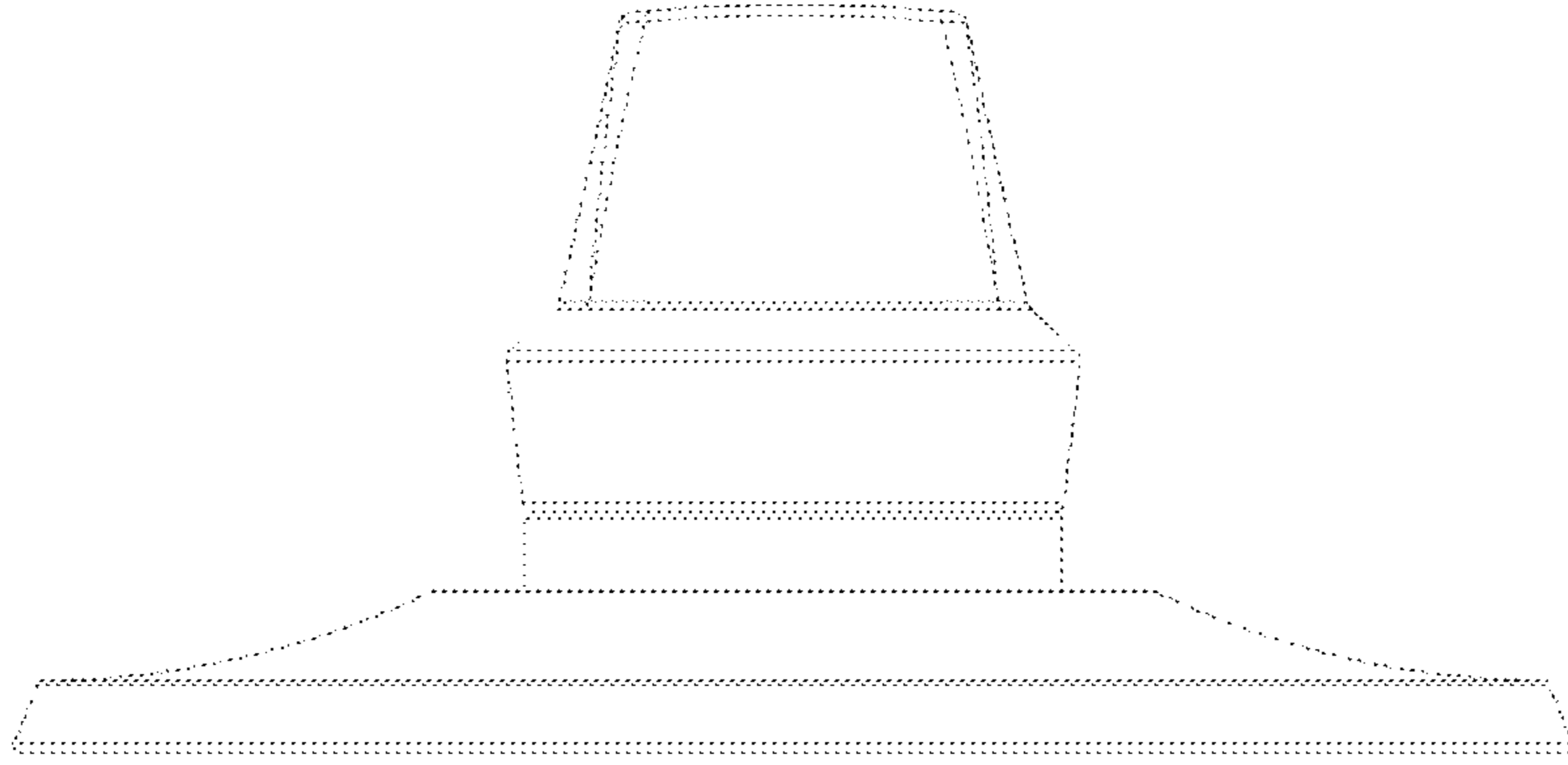


FIG. 1

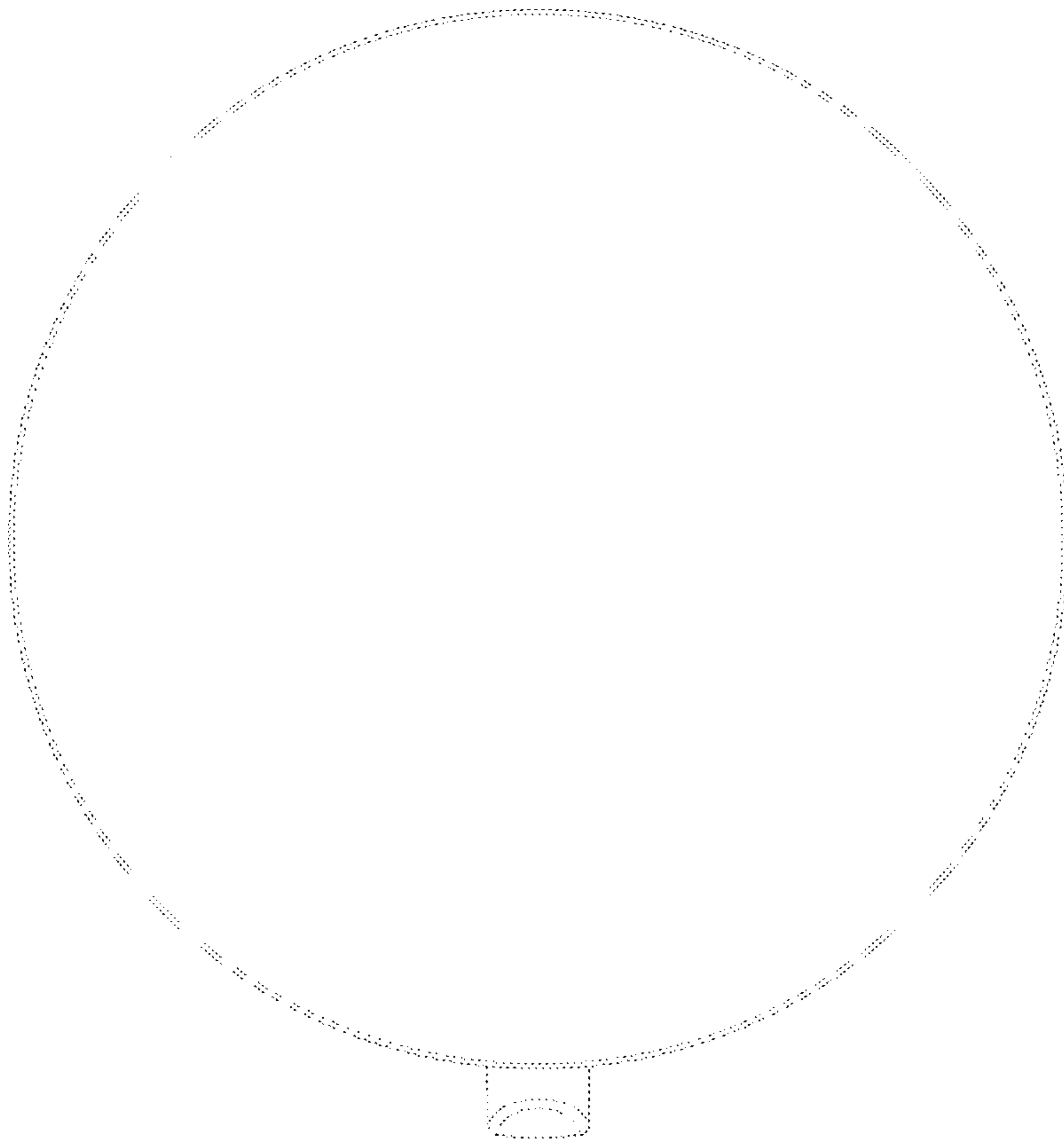


FIG. 2

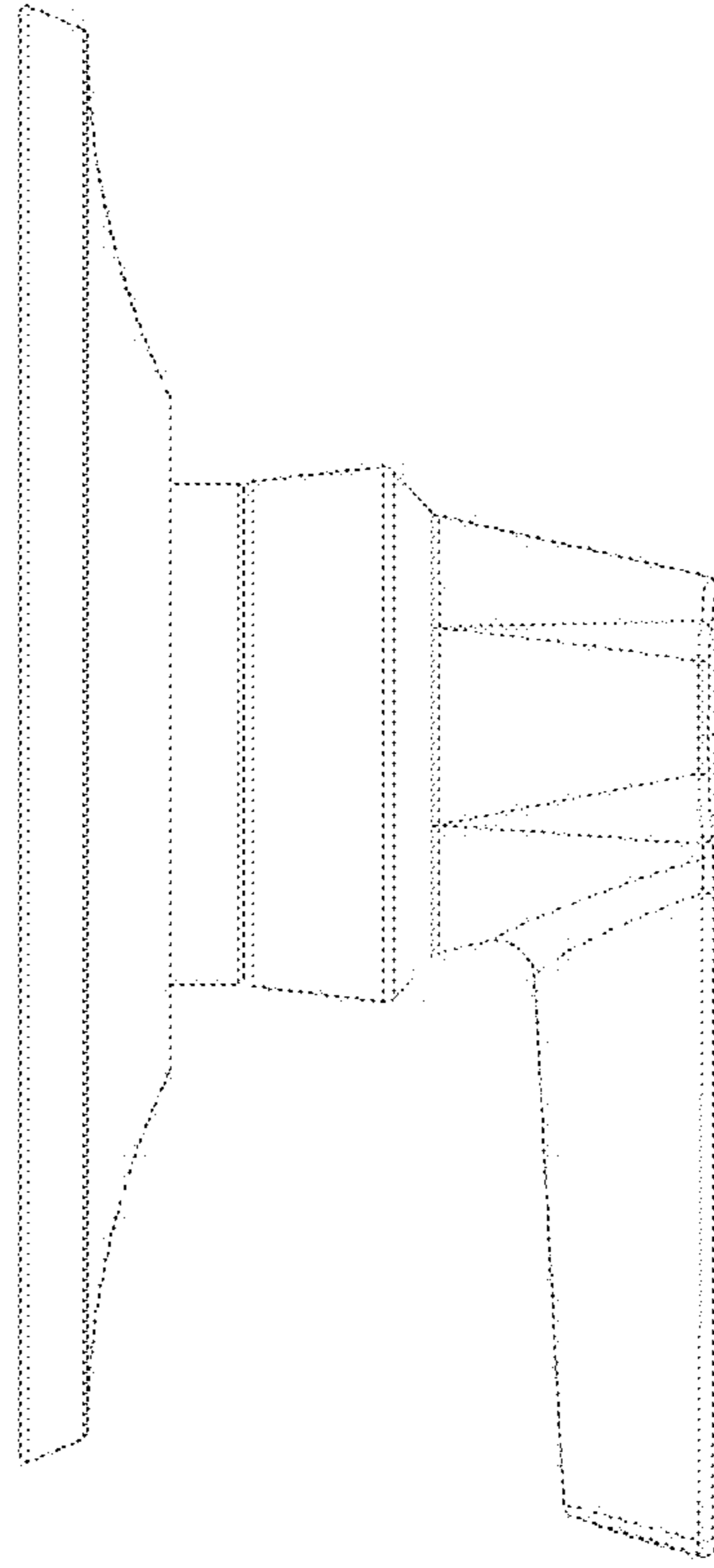


FIG. 8 - 8

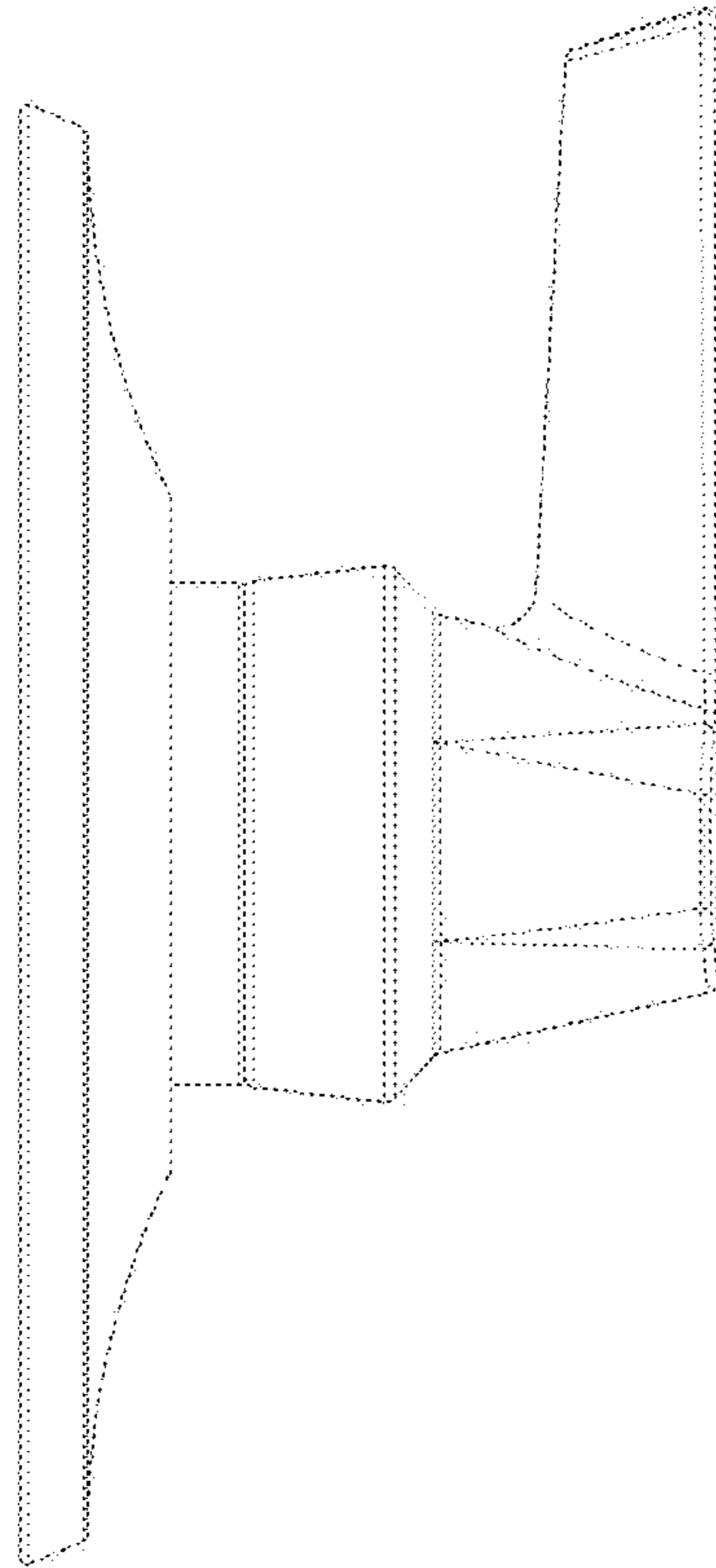


FIG. 8 - 7