



US00D936797S

(12) **United States Design Patent** (10) **Patent No.:** **US D936,797 S**  
**Ando** (45) **Date of Patent:** **\*\* Nov. 23, 2021**

(54) **FAUCET CONTROL PANEL**  
(71) Applicant: **LIXIL Corporation**, Tokyo (JP)  
(72) Inventor: **Yoshihiko Ando**, Tokyo (JP)  
(73) Assignee: **LIXIL Corporation**, Tokyo (JP)  
(\*\*) Term: **15 Years**

D763,410 S \* 8/2016 Schoenherr ..... D23/250  
D766,696 S \* 9/2016 Kemker ..... D8/310  
D828,518 S \* 9/2018 Boal ..... D23/254

\* cited by examiner

*Primary Examiner* — Robert A Delehanty

(74) *Attorney, Agent, or Firm* — Sughrue Mion, PLLC

(21) Appl. No.: **29/703,751**  
(22) Filed: **Aug. 29, 2019**

(30) **Foreign Application Priority Data**

Mar. 28, 2019 (JP) ..... 2019-006610

(51) **LOC (13) Cl.** ..... **23-01**

(52) **U.S. Cl.**  
USPC ..... **D23/254**

(58) **Field of Classification Search**  
USPC ..... D23/238–243, 250, 213, 252, 254;  
D8/307–308, 353; D6/524, 574  
See application file for complete search history.

(56) **References Cited**

**U.S. PATENT DOCUMENTS**

D574,061 S \* 7/2008 Rexach ..... D23/254  
8,479,761 B2 \* 7/2013 Yang ..... E03C 1/055  
137/360

(57) **CLAIM**

The ornamental design for a faucet control panel, as shown and described.

**DESCRIPTION**

FIG. 1 is a perspective view of a faucet control panel.  
FIG. 2 is a top plan view thereof.  
FIG. 3 is a bottom plan view thereof.  
FIG. 4 is a front elevation view thereof.  
FIG. 5 is a rear elevation view thereof  
FIG. 6 is a right side elevation view thereof; and,  
FIG. 7 is a left side elevation view thereof.

**1 Claim, 7 Drawing Sheets**

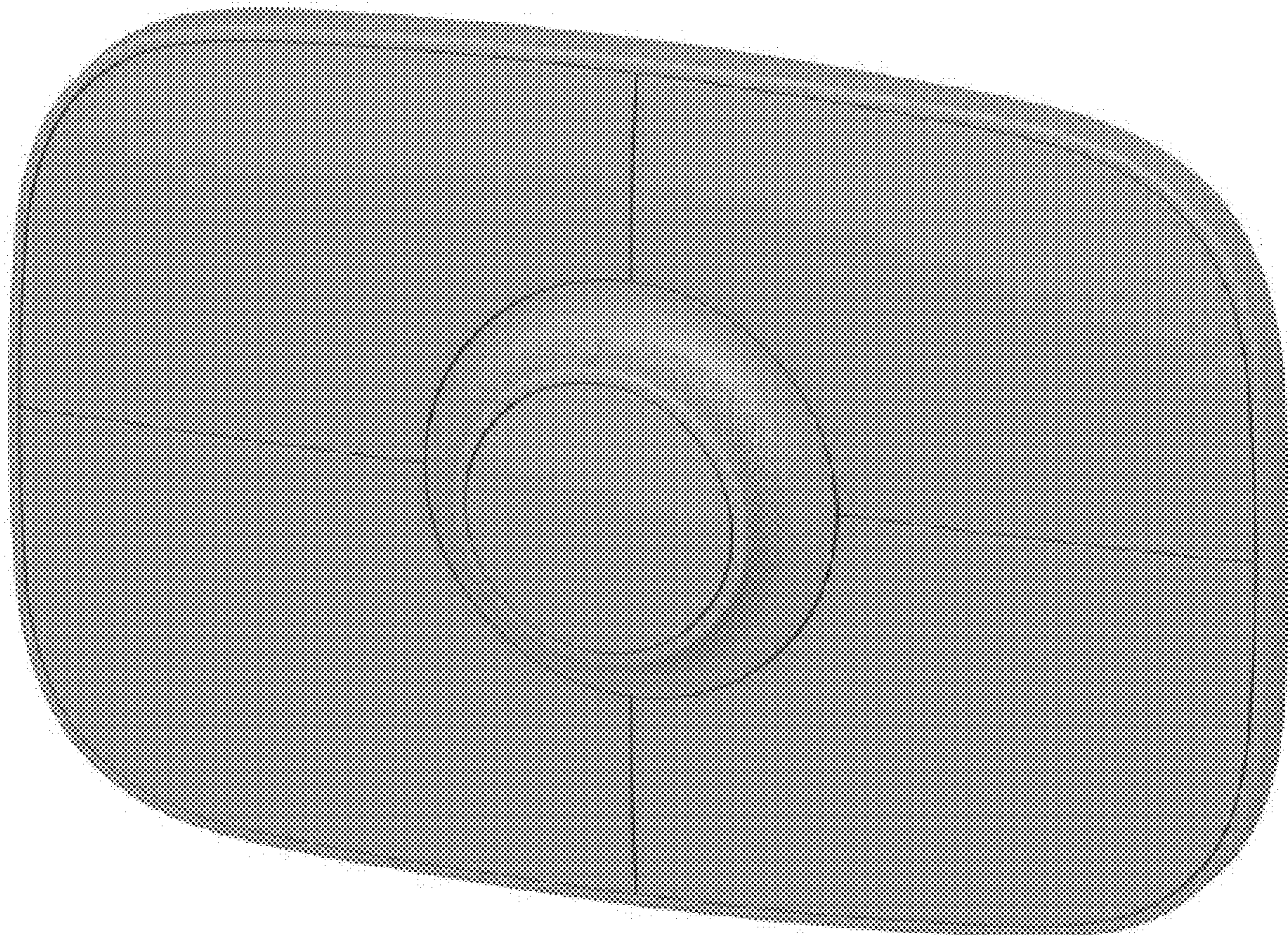




FIG. 1

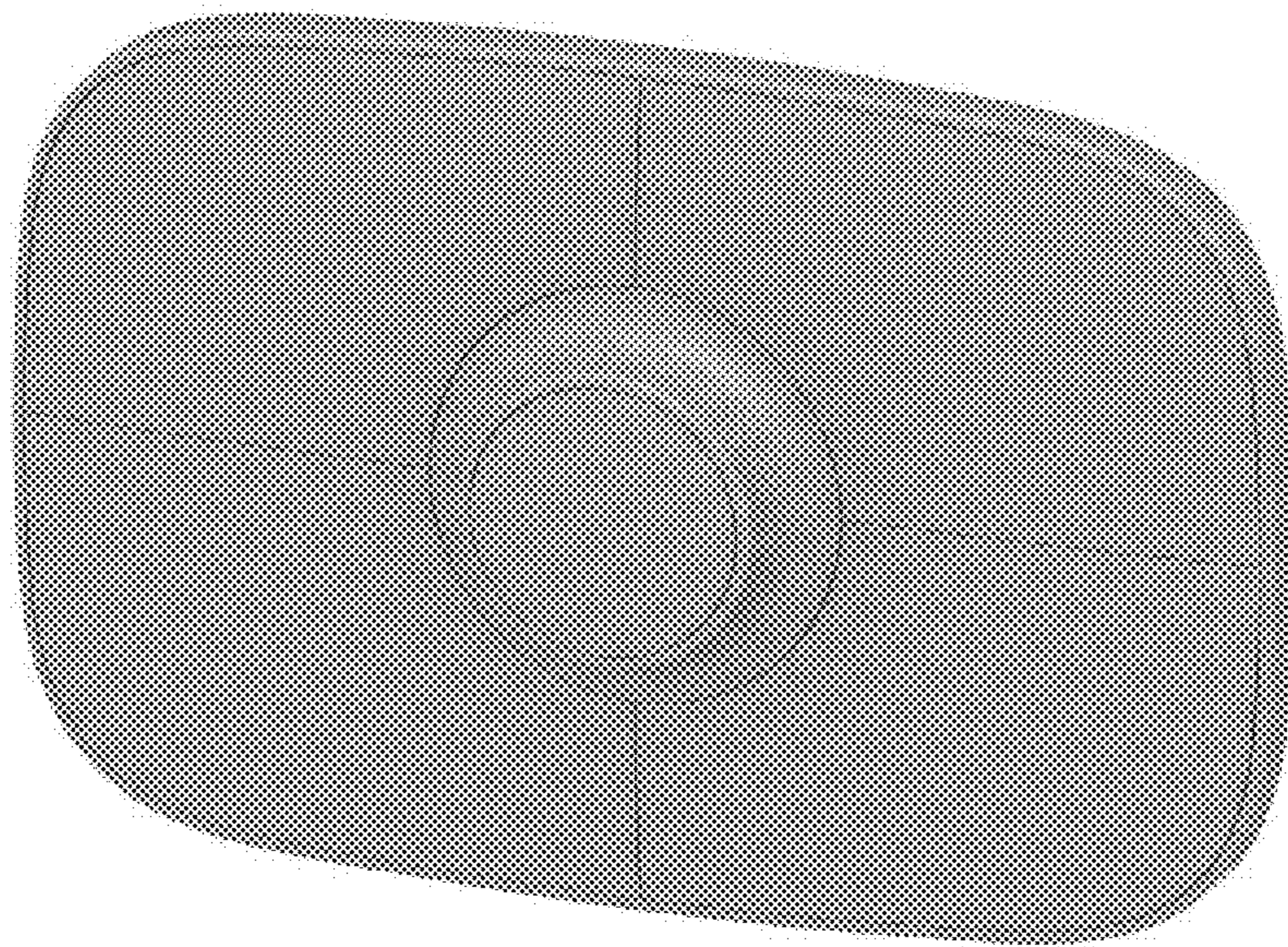


FIG. 2

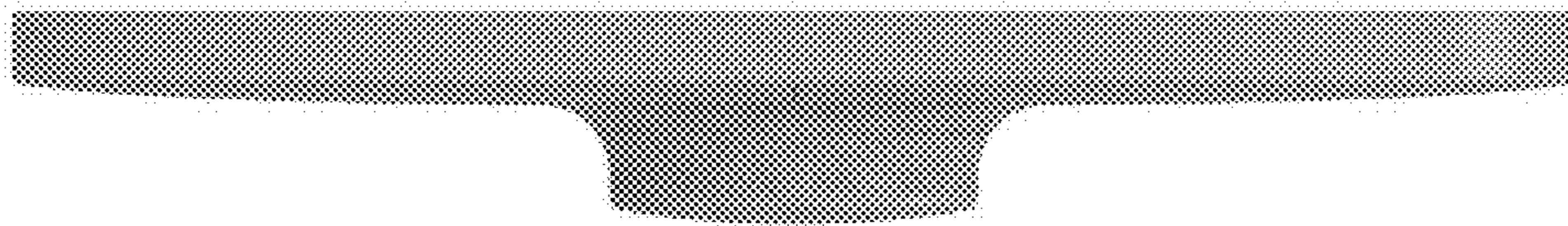


FIG. 3

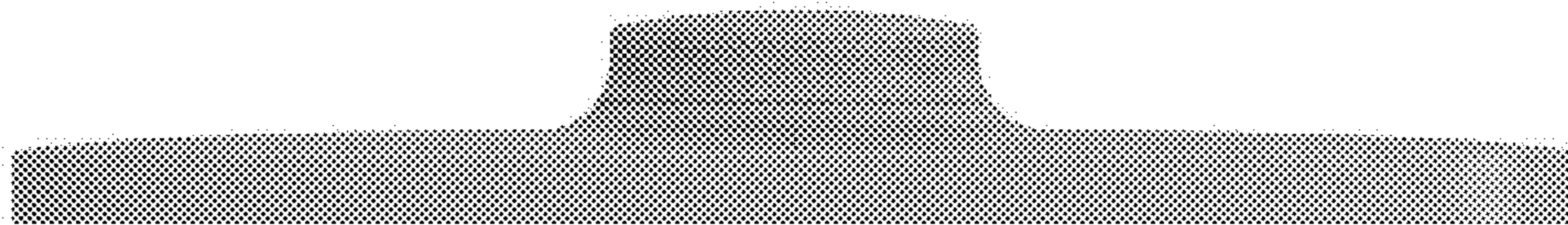




FIG. 4

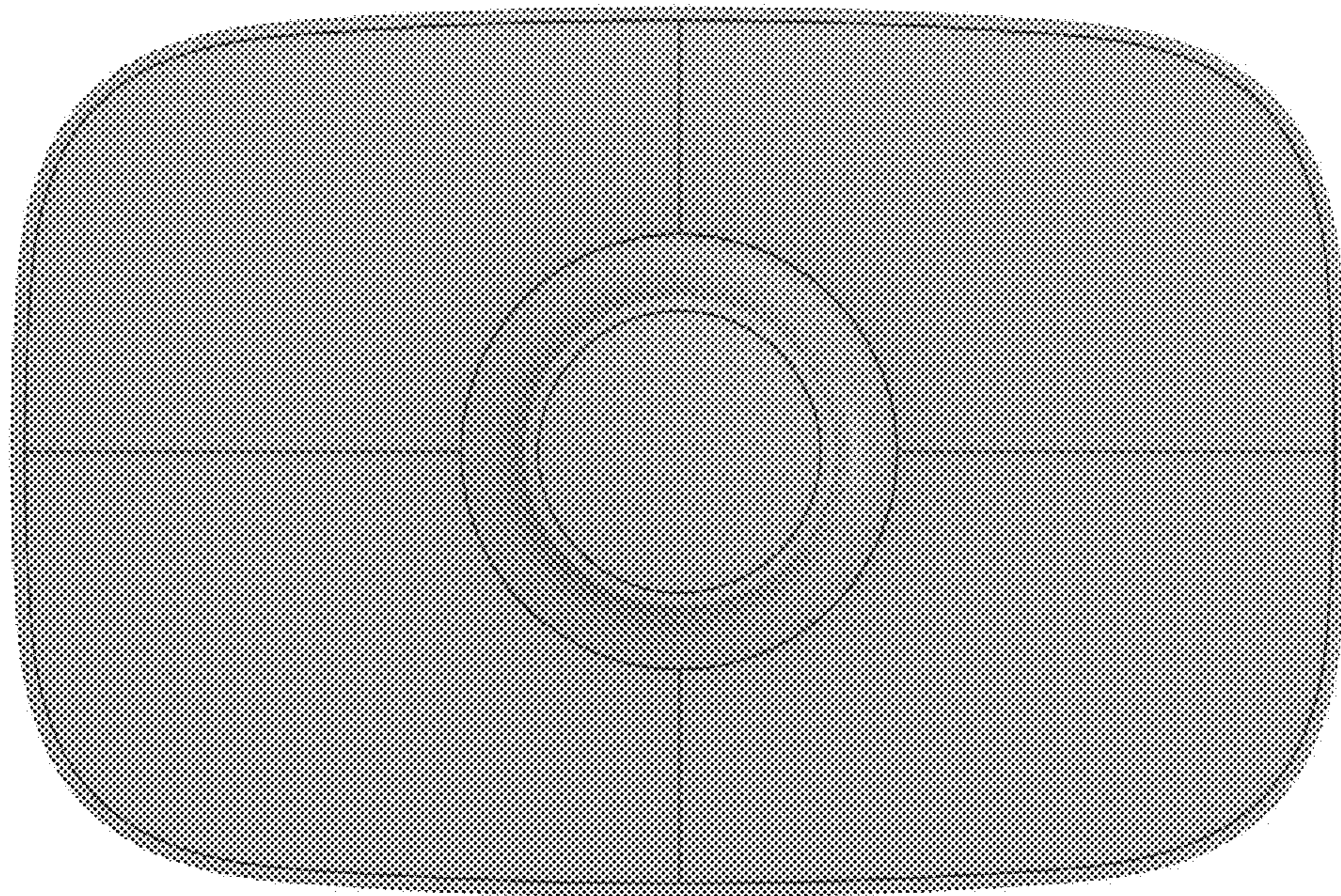


FIG. 5

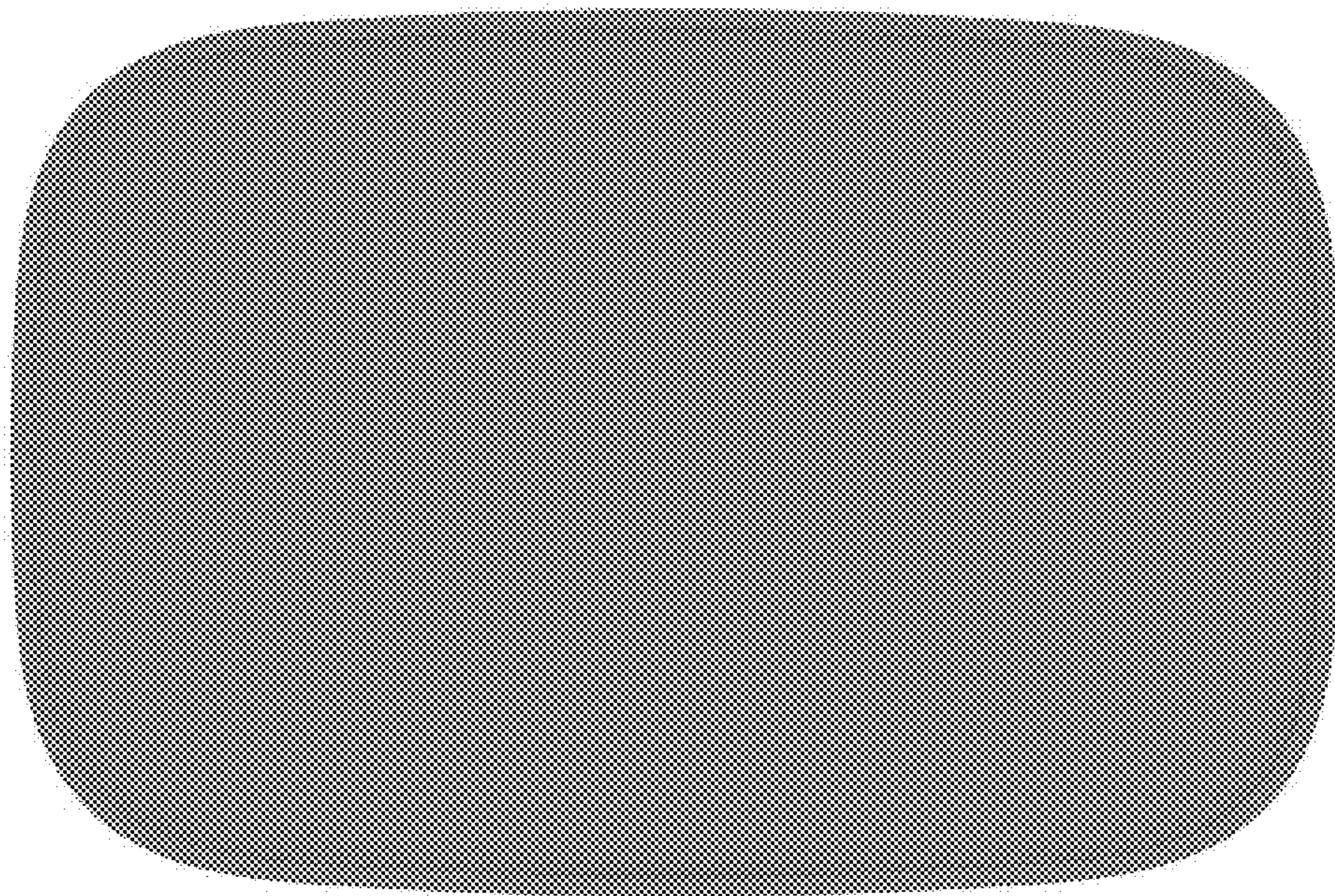


FIG. 6

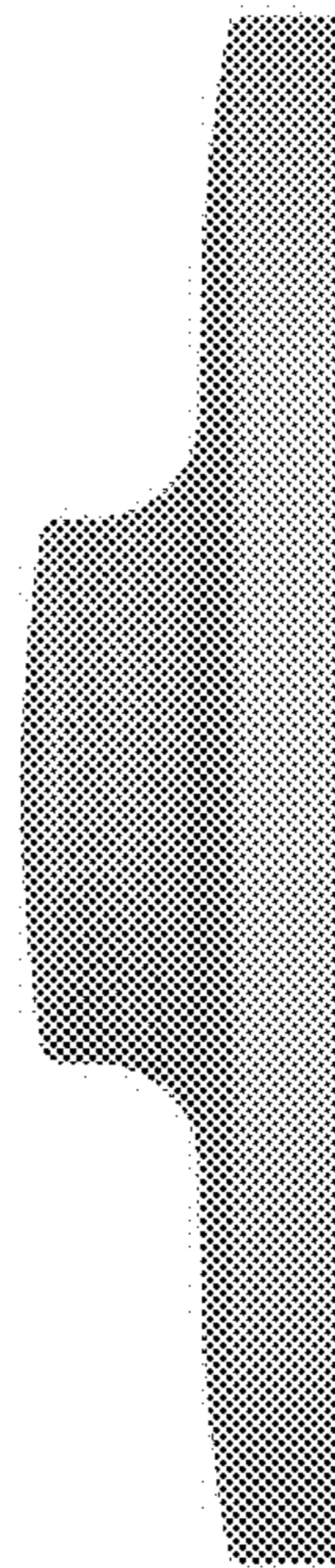




FIG. 7

