



US00D936796S

(12) **United States Design Patent**  
**Zhang**

(10) **Patent No.:** **US D936,796 S**

(45) **Date of Patent:** **\*\* Nov. 23, 2021**

(54) **FAUCET HANDLE**

(71) Applicant: **Xinrui Zhang**, Kaiping (CN)

(72) Inventor: **Xinrui Zhang**, Kaiping (CN)

(\*\*) Term: **15 Years**

(21) Appl. No.: **29/728,373**

(22) Filed: **Mar. 18, 2020**

(51) **LOC (13) Cl.** ..... **23-01**

(52) **U.S. Cl.**  
USPC ..... **D23/252**

(58) **Field of Classification Search**  
USPC ..... D23/238-243, 249-250, 252, 254;  
D8/307-308

See application file for complete search history.

(56) **References Cited**

**U.S. PATENT DOCUMENTS**

3,009,679 A \* 11/1961 Williams ..... F16K 31/52458  
251/172  
D238,928 S \* 2/1976 Kipp ..... D23/252

D306,336 S \* 2/1990 Oberdorfer ..... D23/252  
D466,990 S \* 12/2002 Wang ..... D23/252  
D910,151 S \* 2/2021 Kulig ..... D23/252

\* cited by examiner

*Primary Examiner* — Robert A Delehanty

(74) *Attorney, Agent, or Firm* — Runit Ranjit Kanakia

(57) **CLAIM**

I claim the ornamental design for a faucet handle, as shown and described.

**DESCRIPTION**

FIG. 1 is a Perspective view of a faucet handle showing my new design;

FIG. 2 is other perspective view thereof;

FIG. 3 is a Front view thereof;

FIG. 4 is a Back view thereof;

FIG. 5 is a Left-side view thereof;

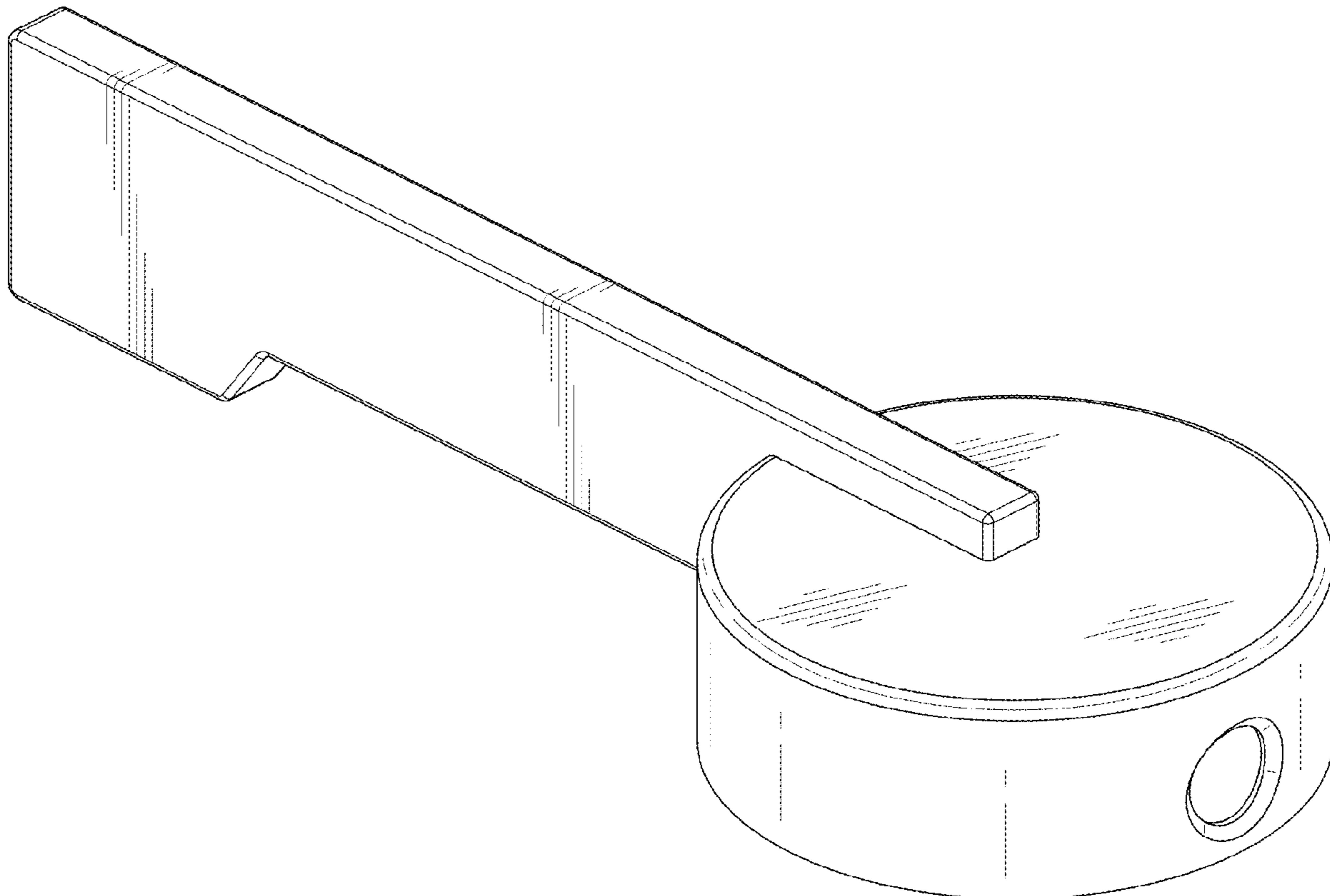
FIG. 6 is a Right-side view thereof;

FIG. 7 is a Top view thereof; and,

FIG. 8 is a Bottom view thereof.

The broken lines are only for environmental purposes and form no part of the claimed design.

**1 Claim, 8 Drawing Sheets**



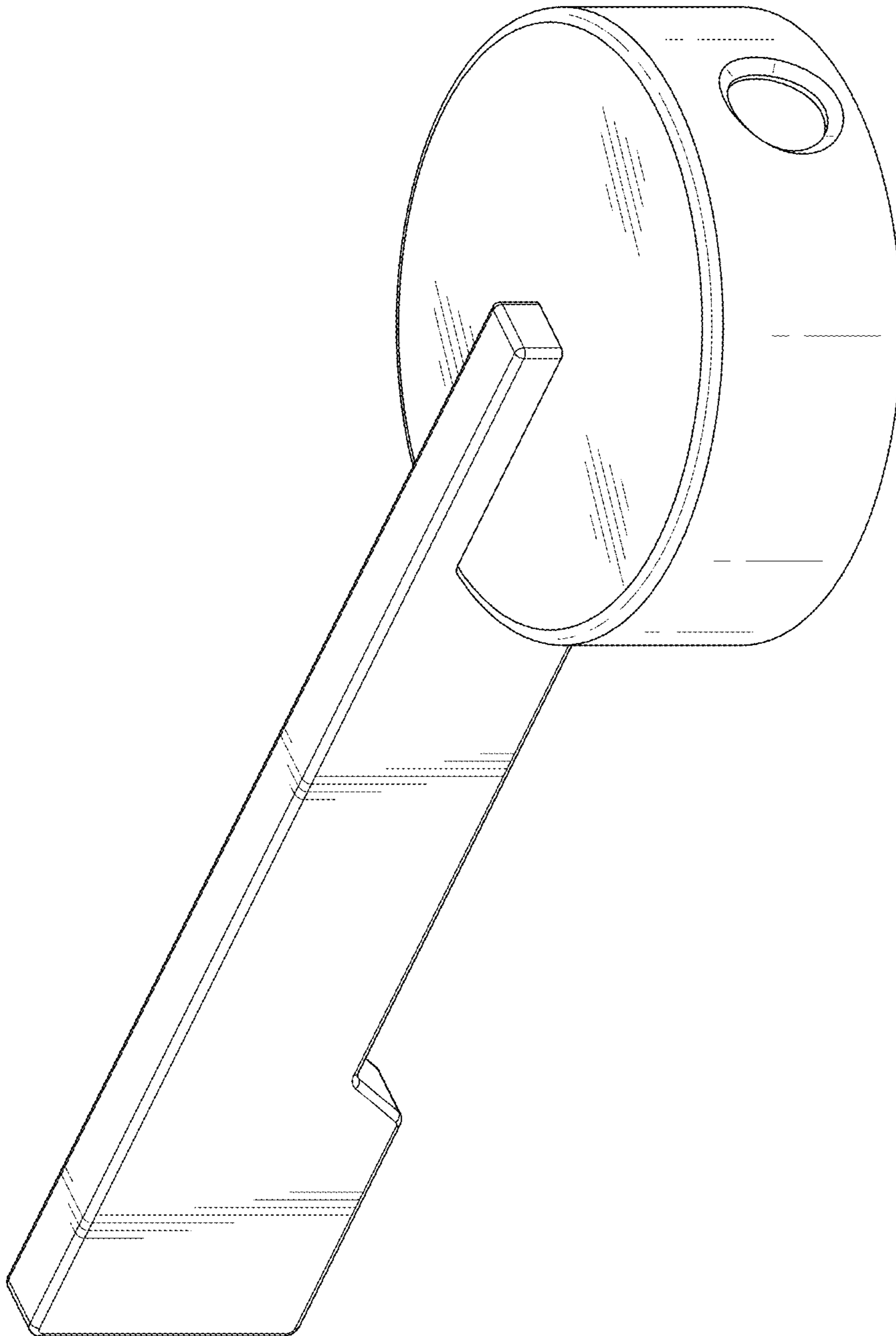


FIG. 1

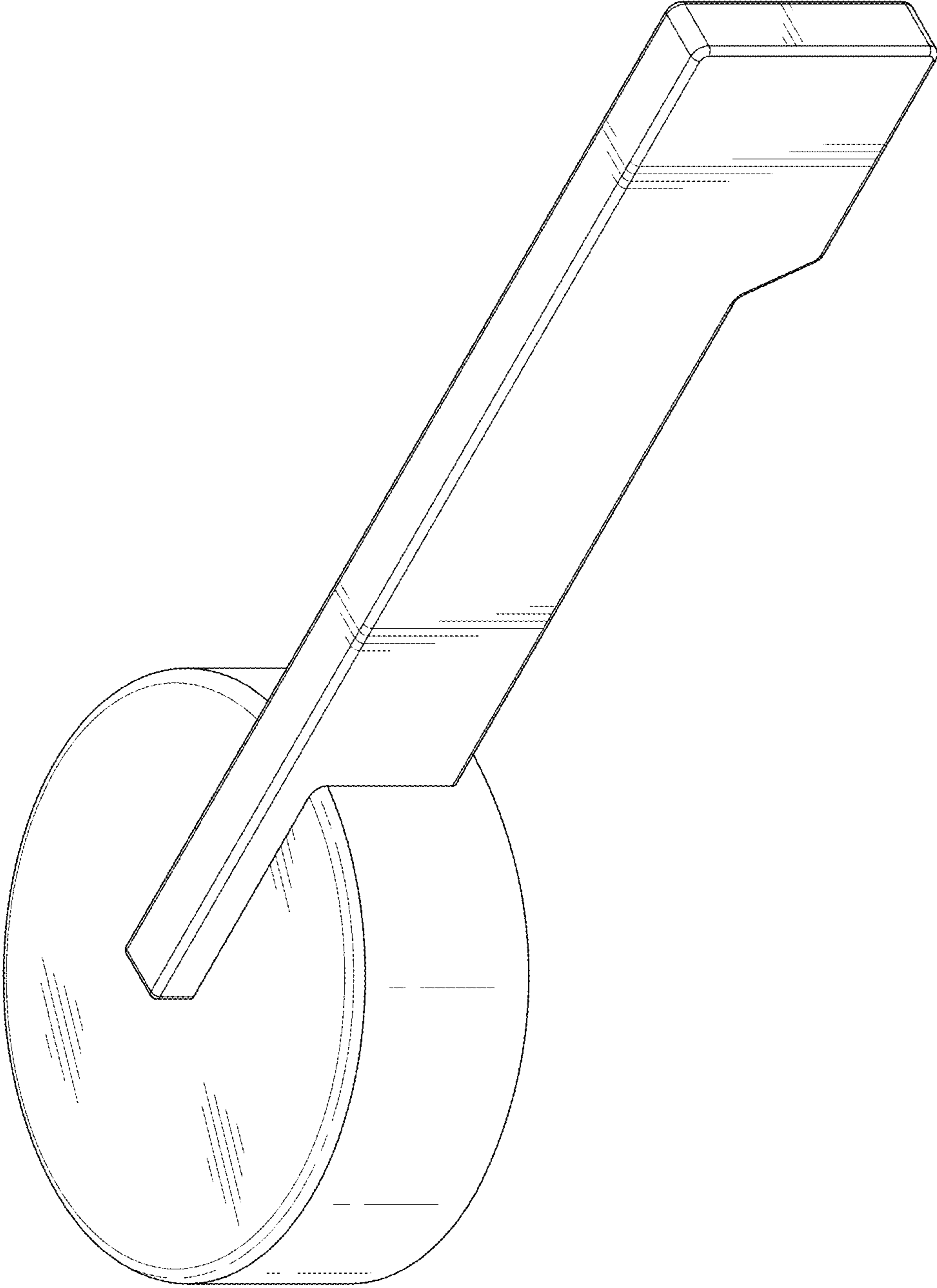


FIG. 2

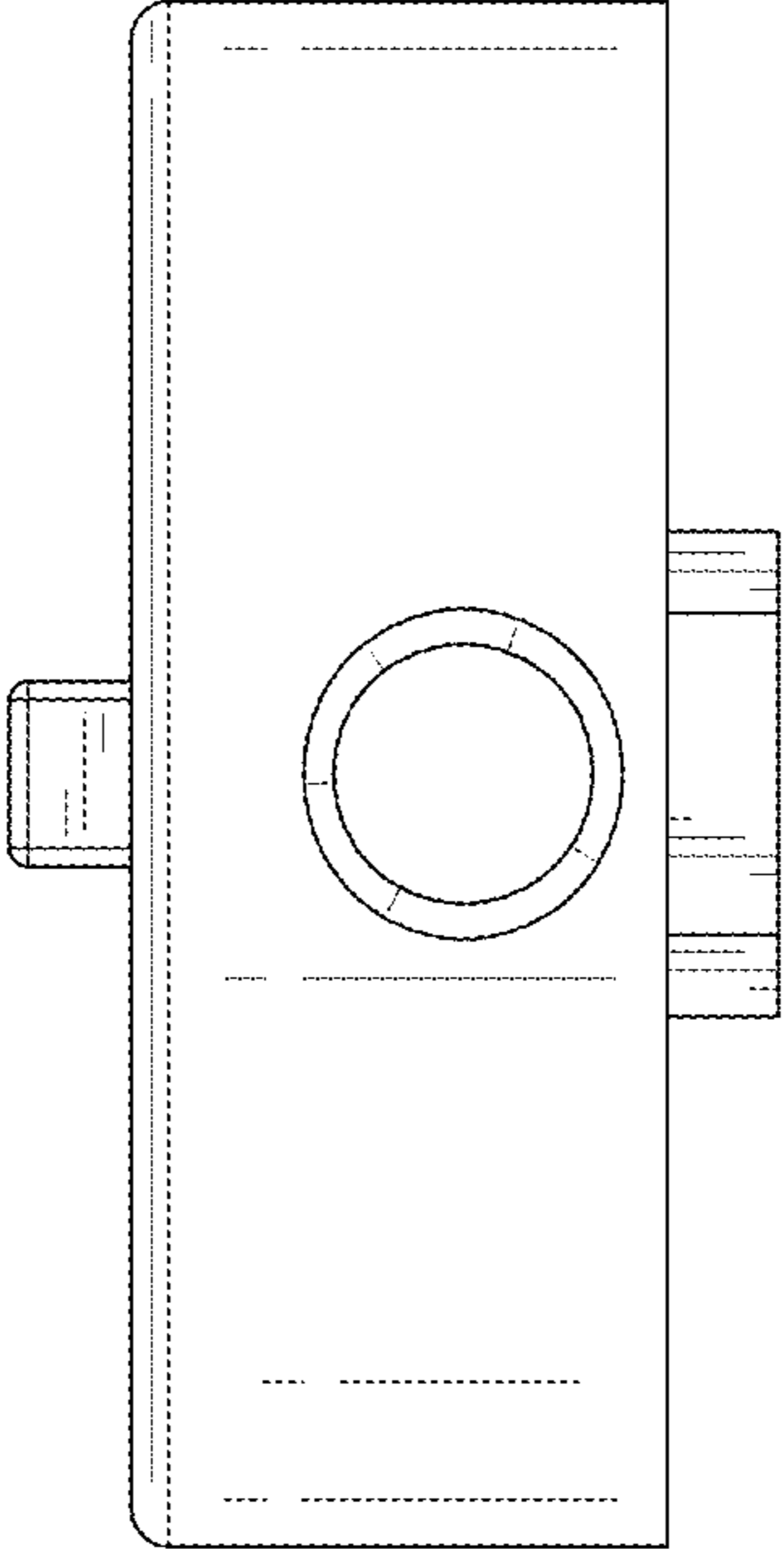


FIG. 3

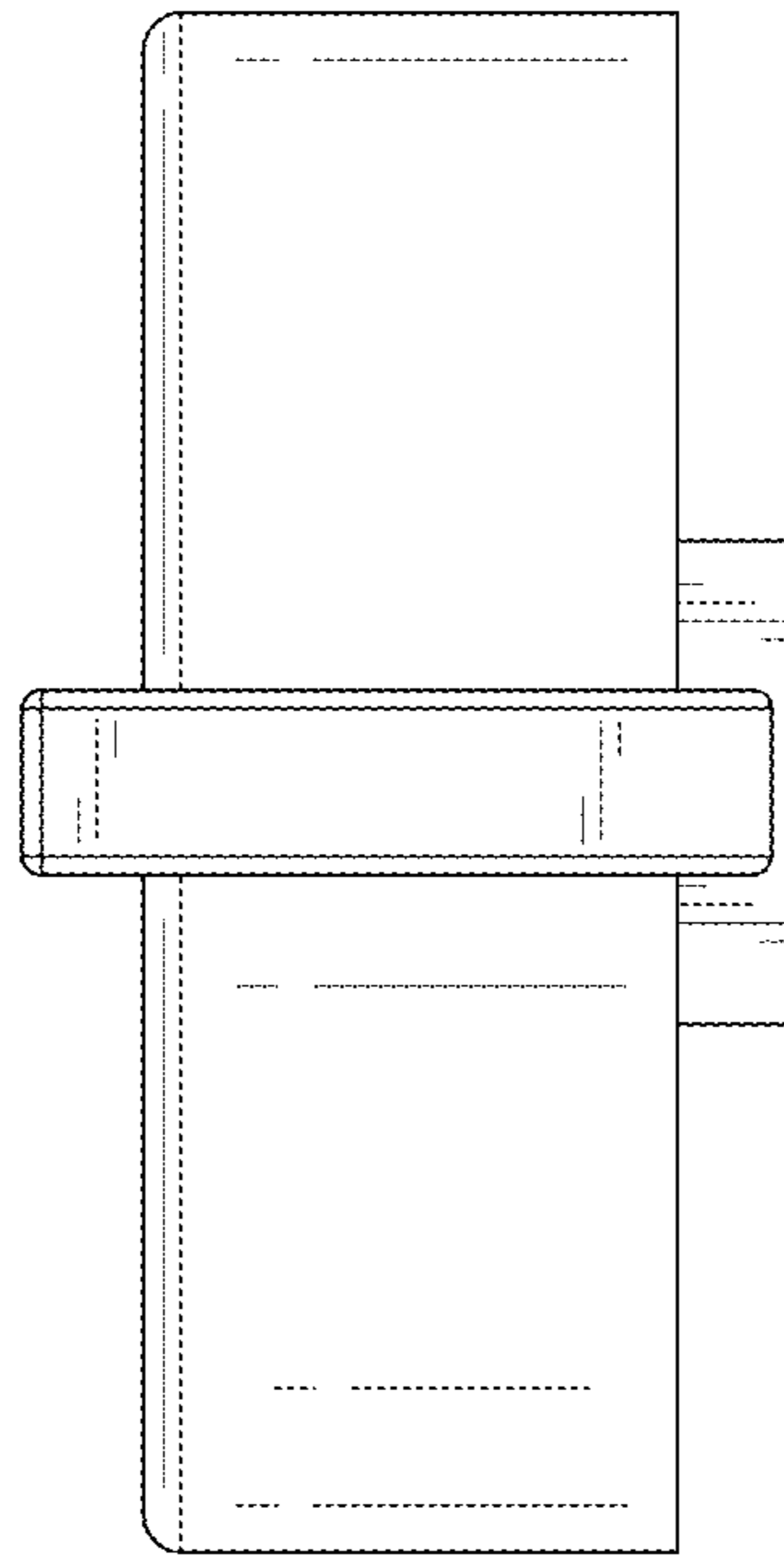


FIG. 4

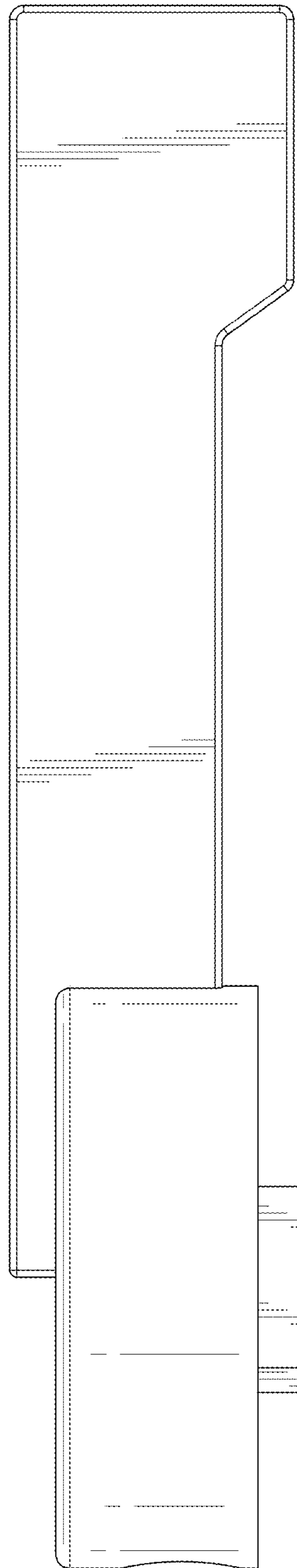


FIG. 5

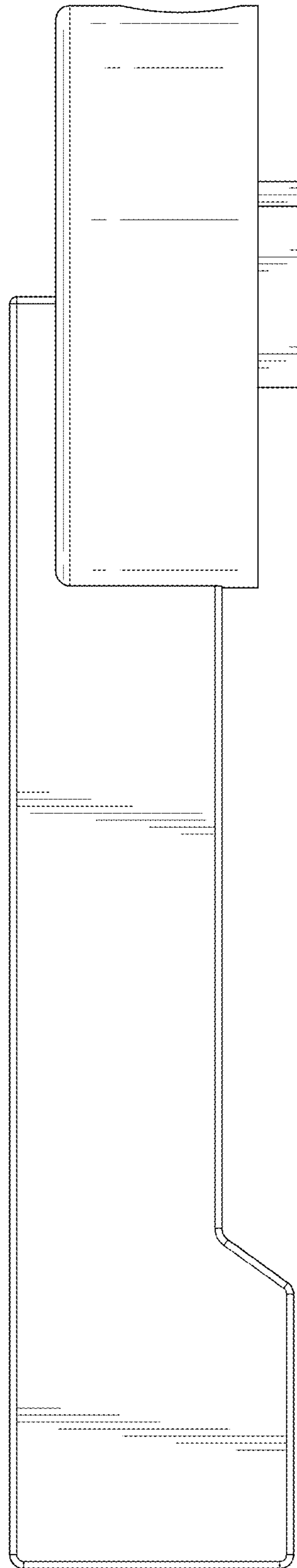


FIG. 6

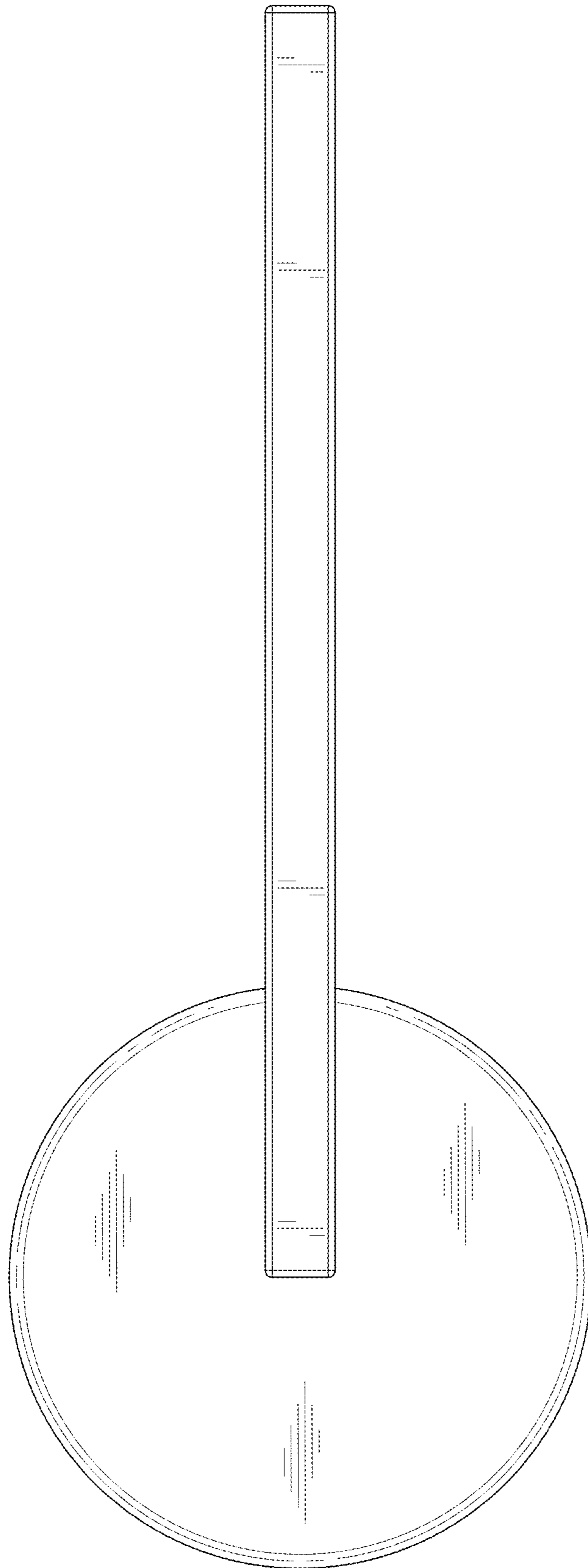


FIG. 7



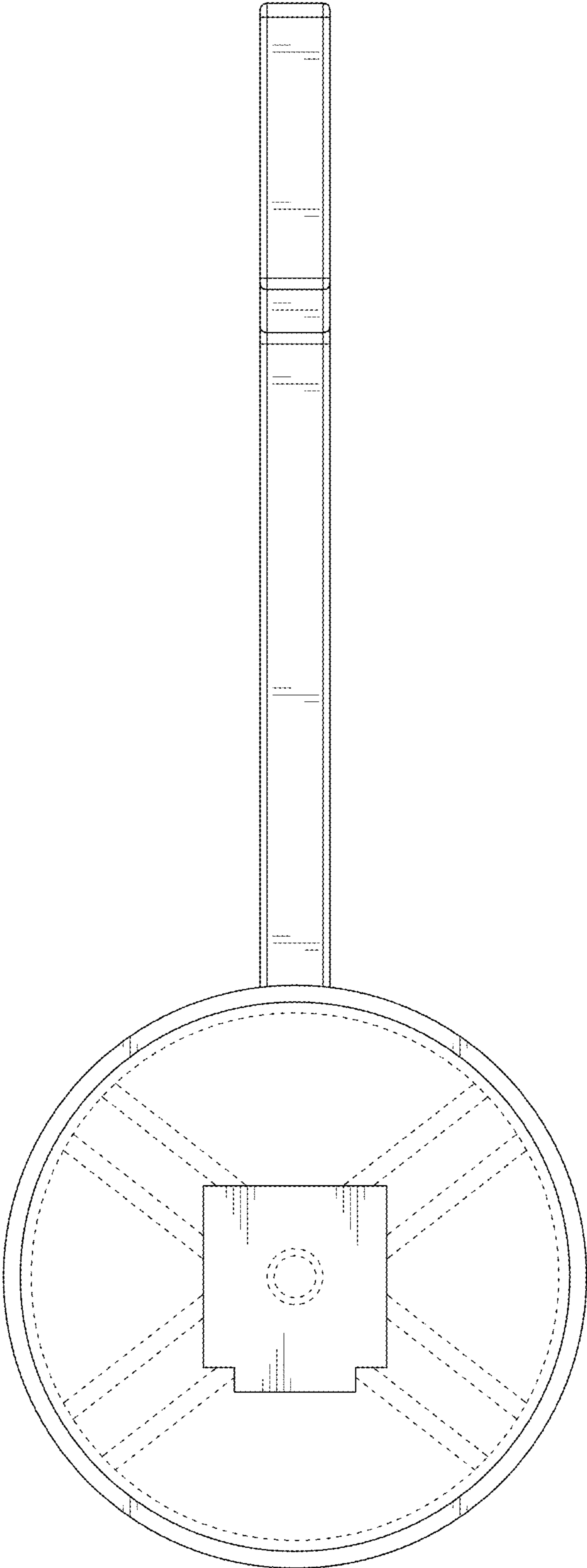


FIG. 8