



US00D936795S

(12) **United States Design Patent**  
**Zhang**

(10) **Patent No.:** **US D936,795 S**

(45) **Date of Patent:** **\*\* Nov. 23, 2021**

(54) **FAUCET HANDLE**

(71) Applicant: **Xinrui Zhang**, Kaiping (CN)

(72) Inventor: **Xinrui Zhang**, Kaiping (CN)

(\*\*) Term: **15 Years**

(21) Appl. No.: **29/728,368**

(22) Filed: **Mar. 18, 2020**

(51) **LOC (13) Cl.** ..... **23-01**

(52) **U.S. Cl.**  
USPC ..... **D23/252**

(58) **Field of Classification Search**  
USPC ..... D23/238–243, 249–250, 252, 254;  
D8/307–308

See application file for complete search history.

(56) **References Cited**

**U.S. PATENT DOCUMENTS**

D306,336 S *	2/1990	Oberdorfer	.....	D23/252
D441,840 S *	5/2001	Meylan	.....	D23/238
D540,917 S *	4/2007	Kikuchi	.....	D23/252
D576,711 S *	9/2008	Urquiola	.....	D23/250
D905,202 S *	12/2020	Zhang	.....	D23/238

D910,817 S \* 2/2021 Zhang ..... D23/238

\* cited by examiner

*Primary Examiner* — Robert A Delehanty

(74) *Attorney, Agent, or Firm* — Rumi Ranjit Kanakia

(57) **CLAIM**

I claim the ornamental design for a faucet handle, as shown and described.

**DESCRIPTION**

FIG. 1 is a Perspective view of a faucet handle showing my new design;

FIG. 2 is other perspective view thereof;

FIG. 3 is a Front view thereof;

FIG. 4 is a Back view thereof;

FIG. 5 is a Left-side view thereof;

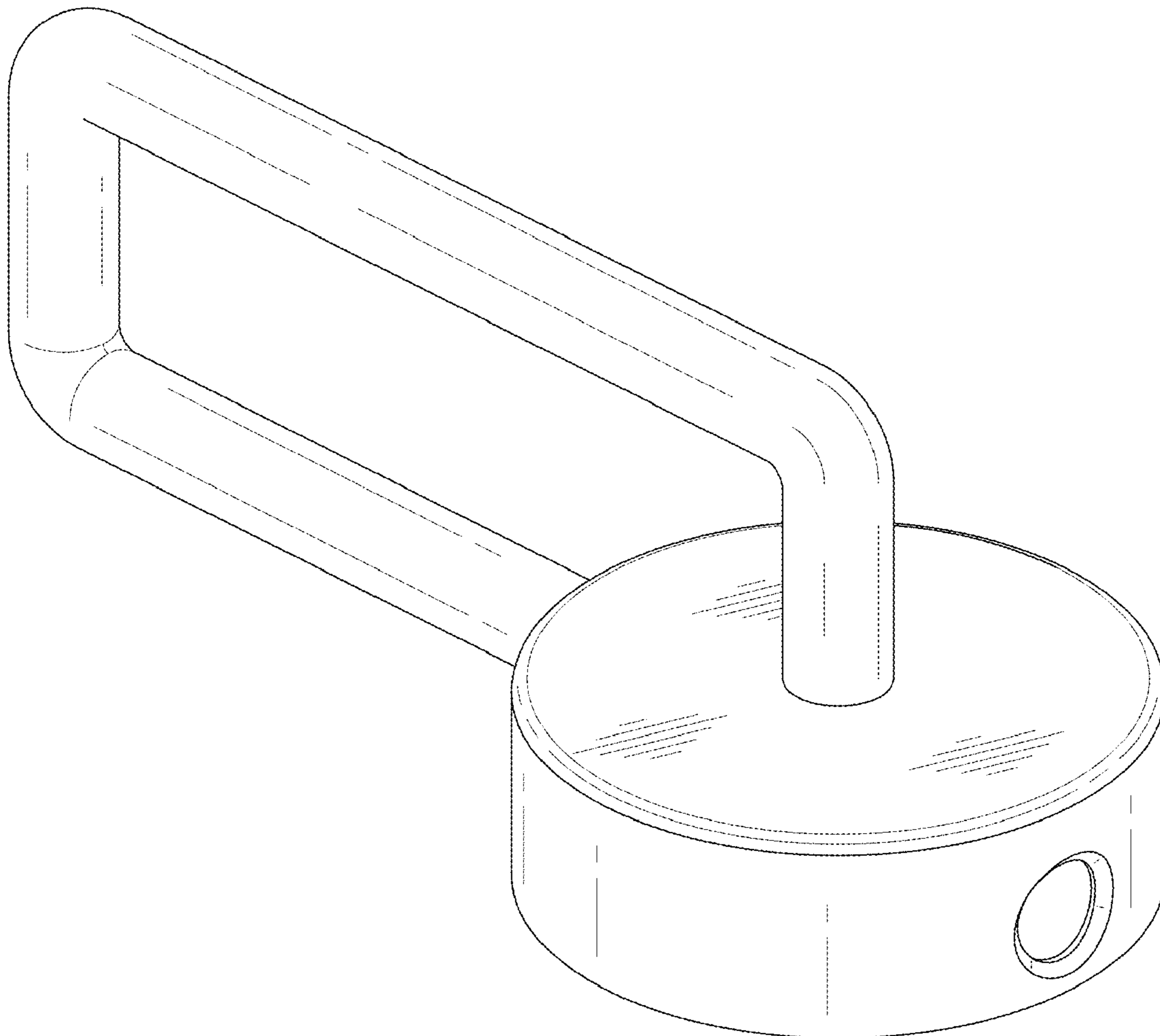
FIG. 6 is a Right-side view thereof;

FIG. 7 is a Top view thereof; and,

FIG. 8 is a Bottom view thereof.

The broken lines are only for environmental purposes and form no part of the claimed design.

**1 Claim, 8 Drawing Sheets**



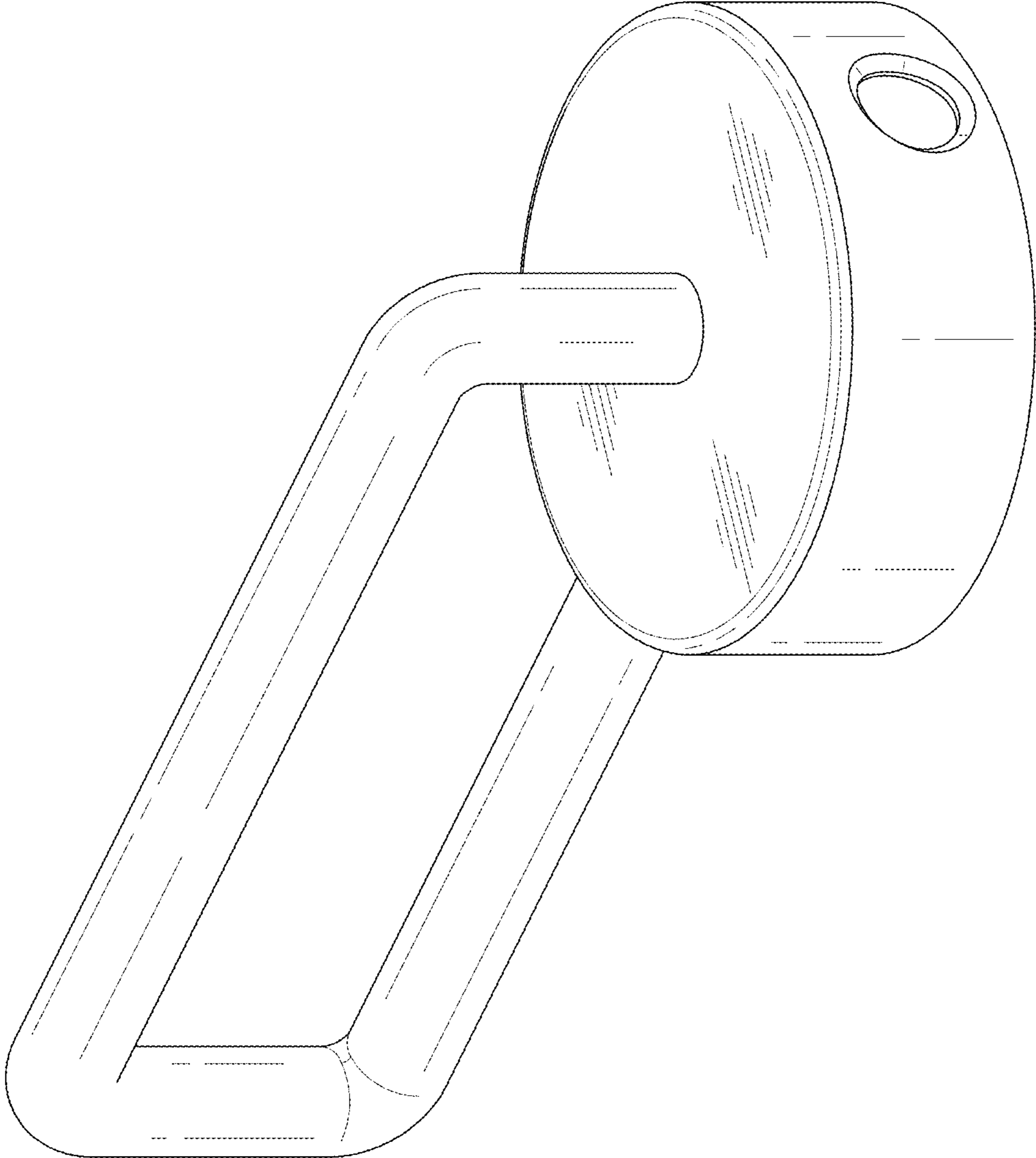


FIG. 1

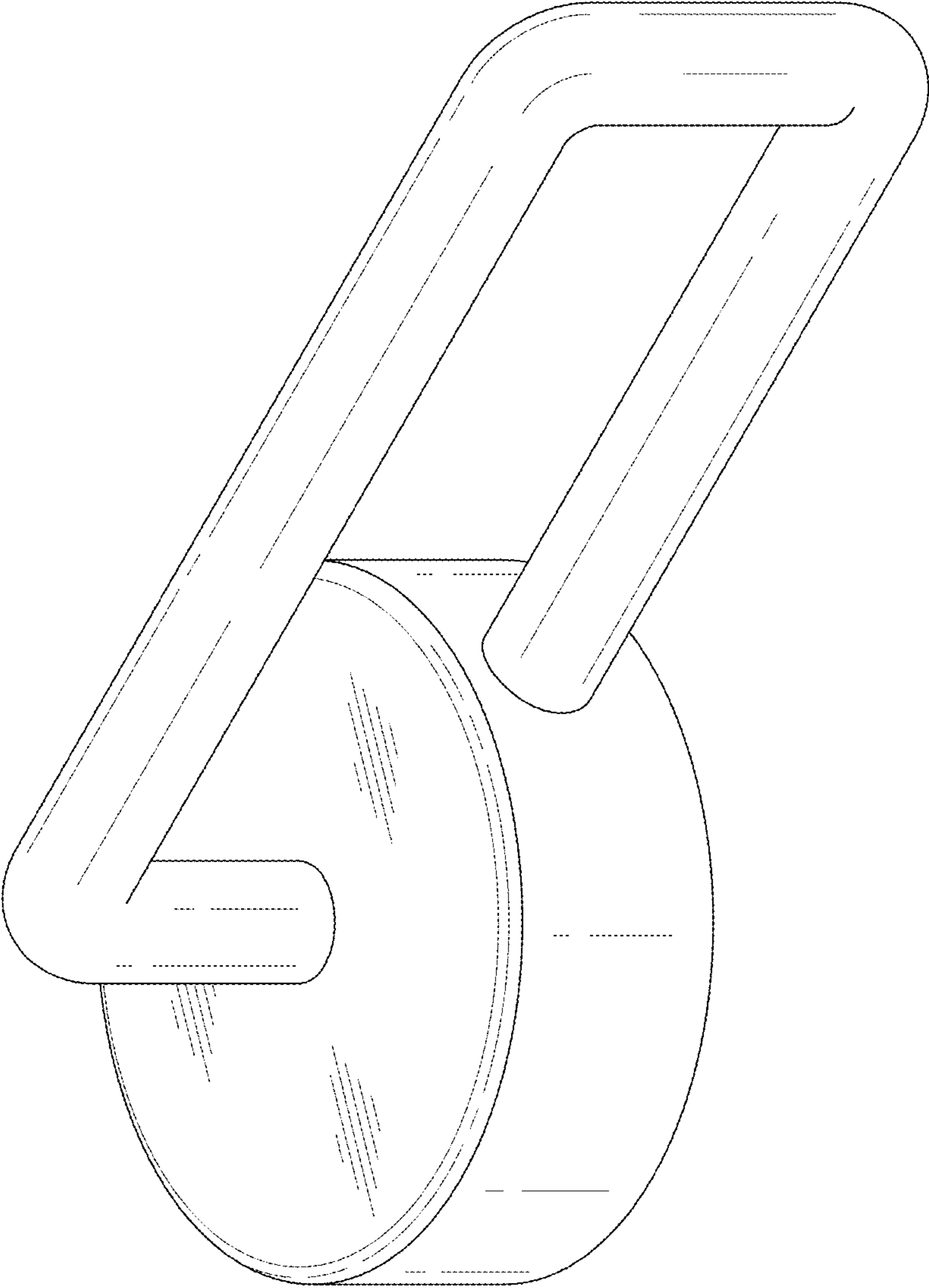


FIG. 2

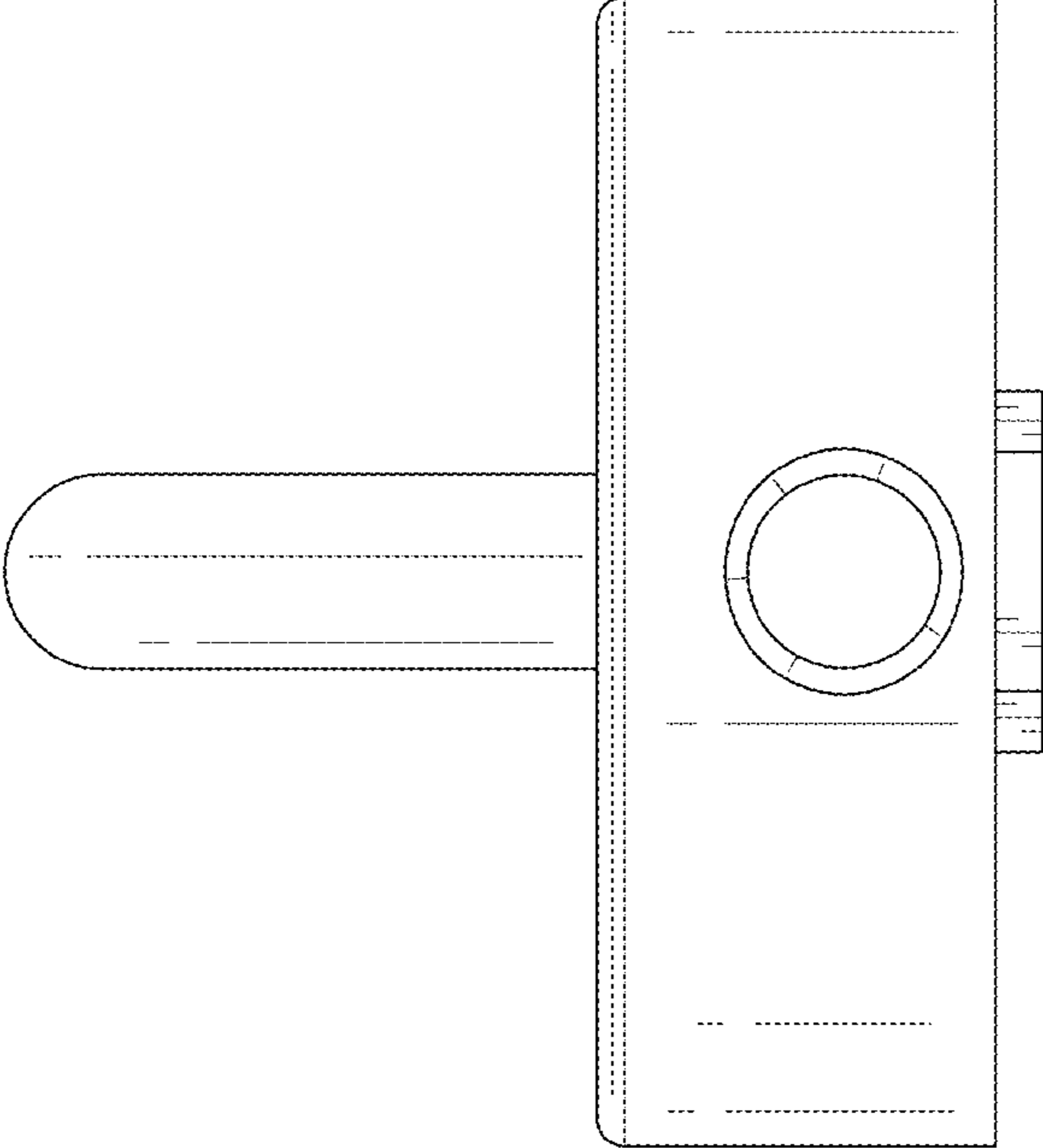


FIG. 3

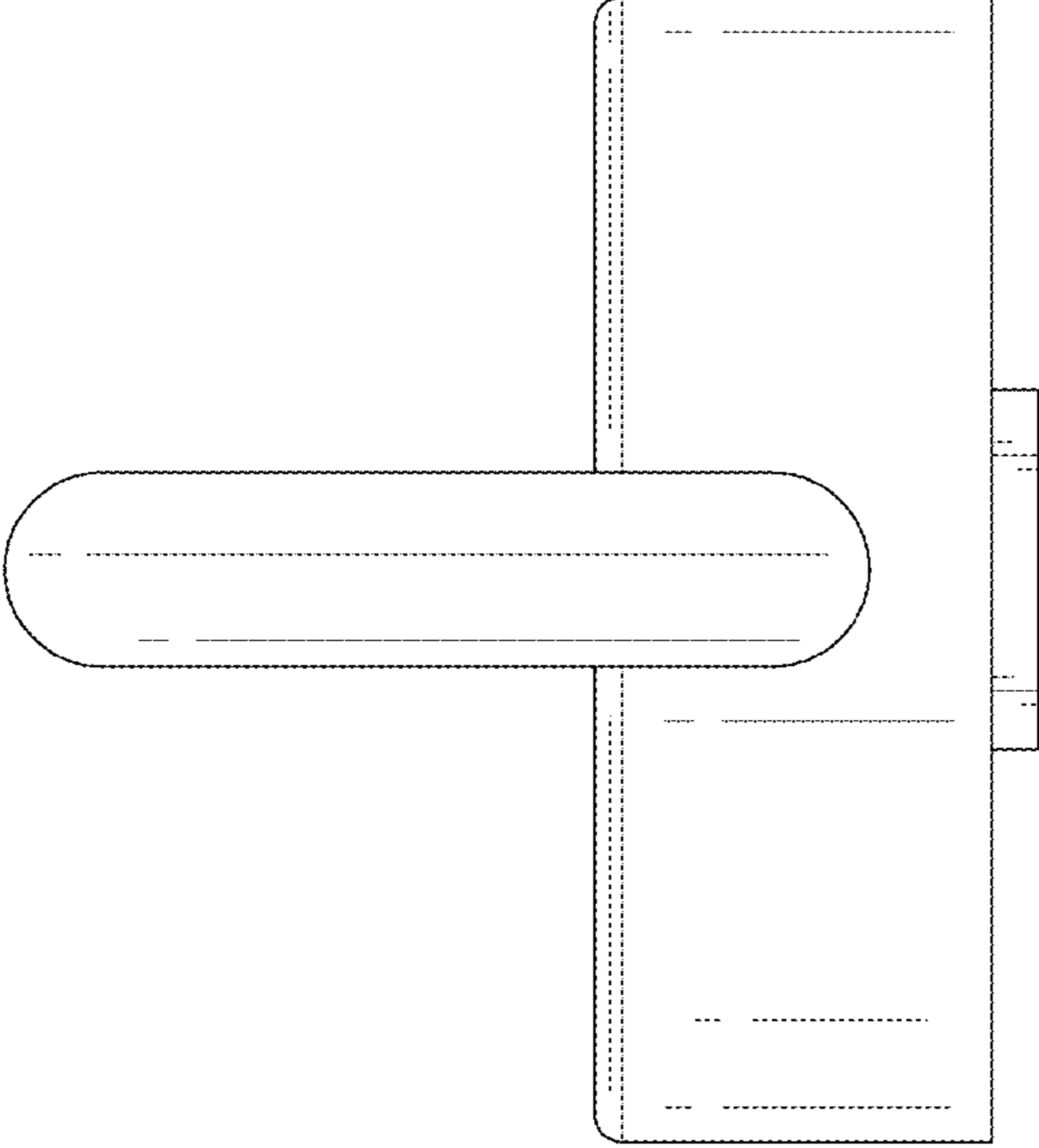


FIG. 4

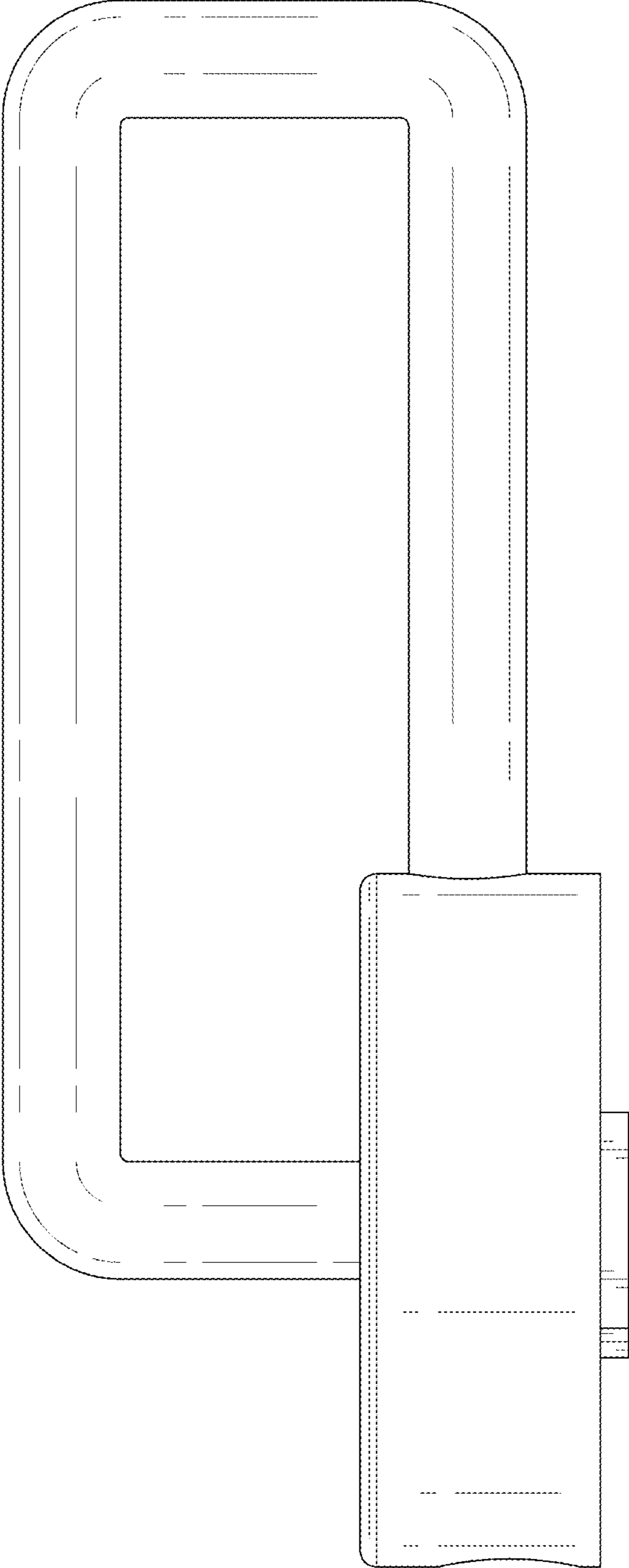


FIG. 5

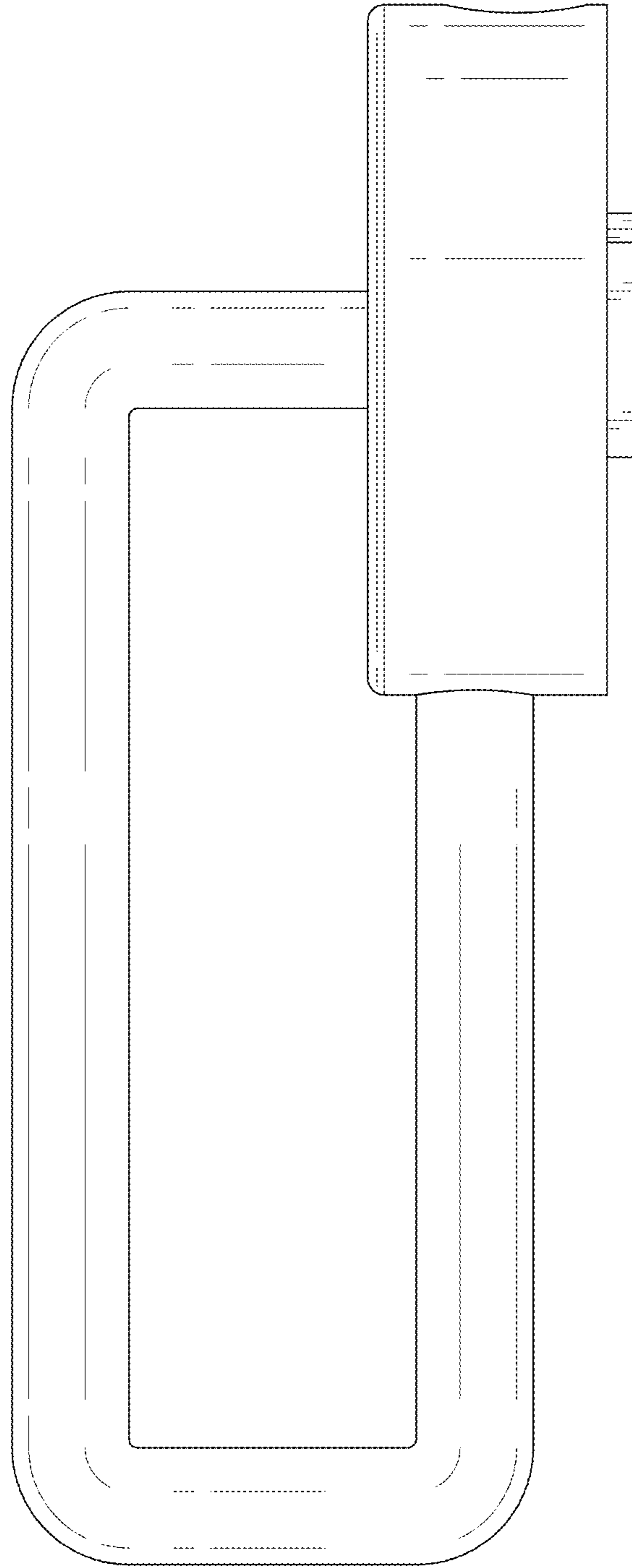


FIG. 6

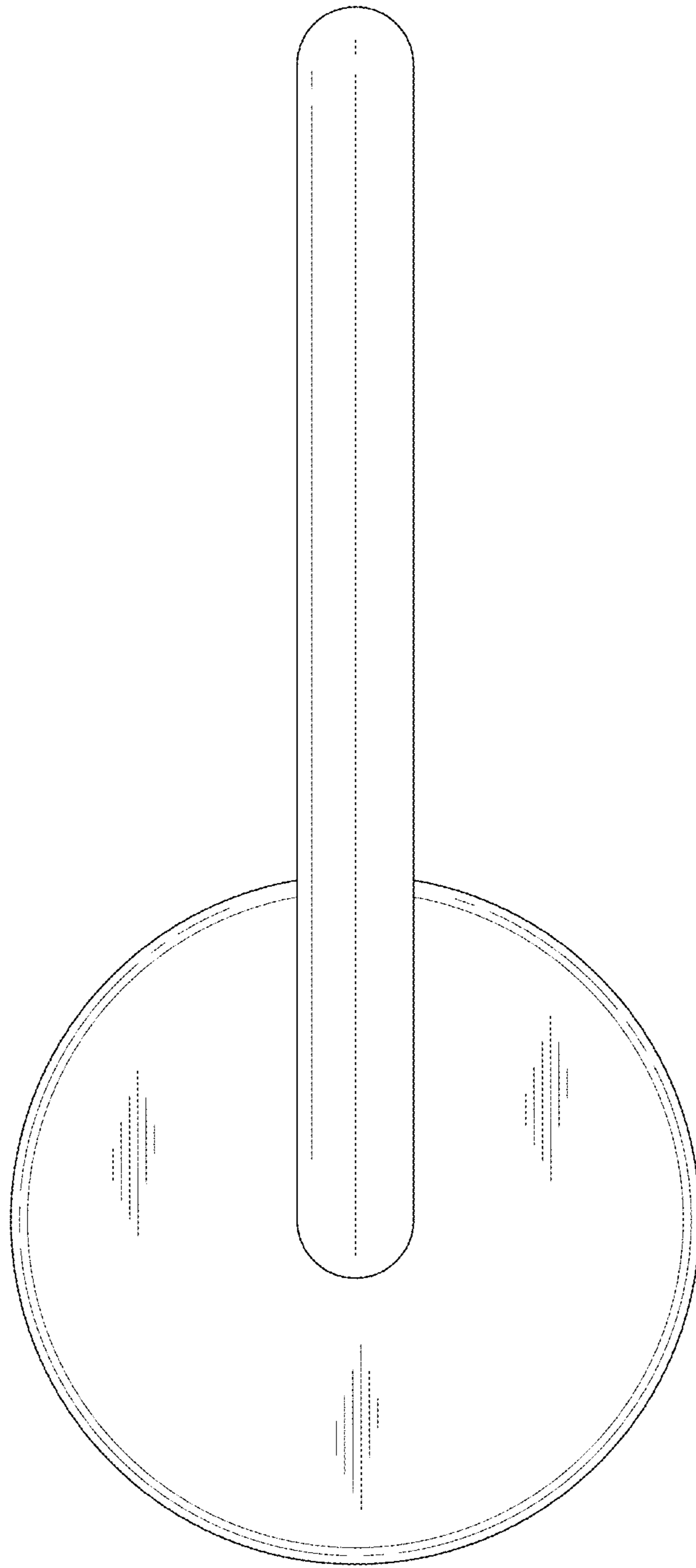


FIG. 7



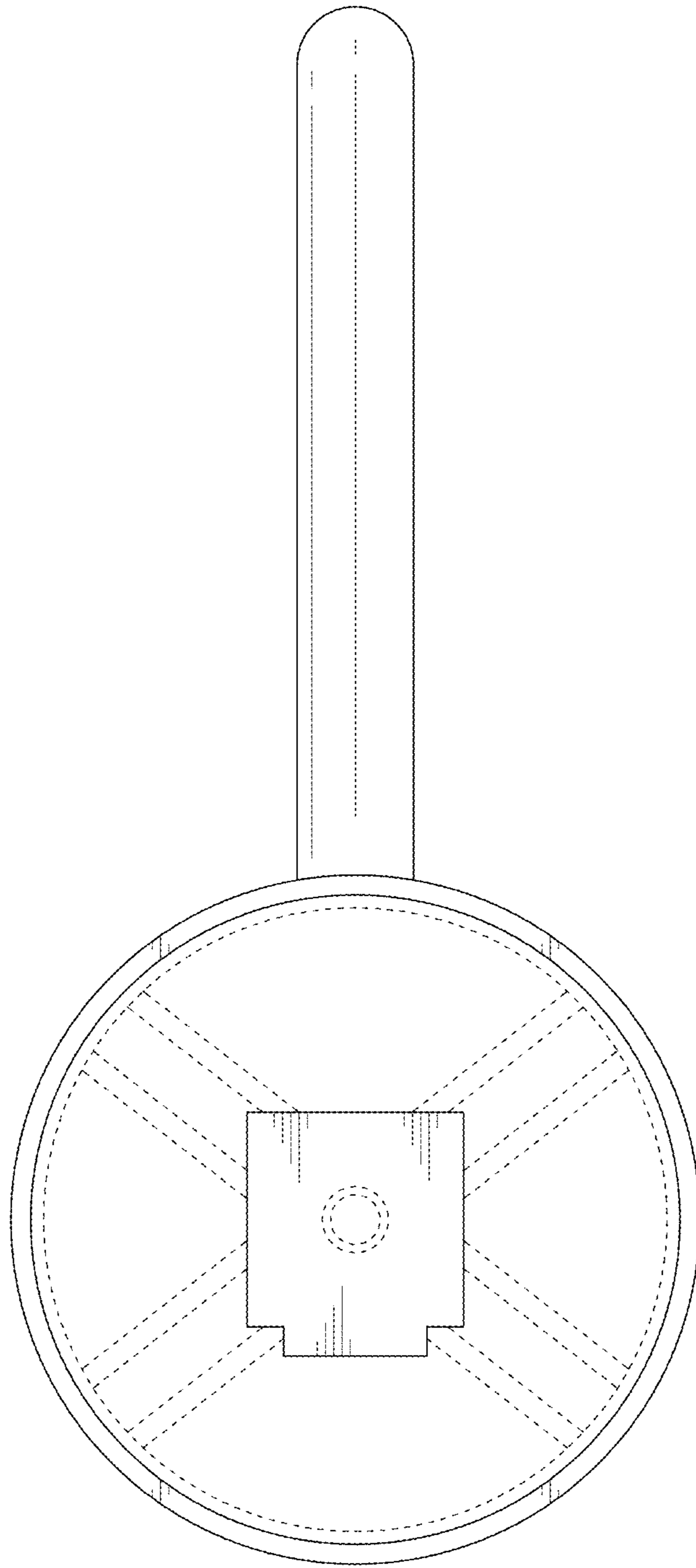


FIG. 8