



US00D936794S

(12) **United States Design Patent**  
**Chandler**

(10) **Patent No.:** **US D936,794 S**

(45) **Date of Patent:** **\*\* Nov. 23, 2021**

(54) **FAUCET**

(71) Applicant: **DELTA FAUCET COMPANY,**  
Indianapolis, IN (US)

(72) Inventor: **Taylor Chandler,** Noblesville, IN (US)

(73) Assignee: **DELTA FAUCET COMPANY,**  
Indianapolis, IN (US)

(\*\*) Term: **15 Years**

(21) Appl. No.: **29/723,641**

(22) Filed: **Feb. 10, 2020**

(51) **LOC (13) Cl.** ..... **23-01**

(52) **U.S. Cl.**  
USPC ..... **D23/242**

(58) **Field of Classification Search**  
USPC ..... D23/238-244, 252, 254-255, 257;  
D8/307-308  
CPC .... F16K 31/602; F16K 31/605; F16K 31/607;  
E03C 1/0412  
See application file for complete search history.

(56) **References Cited**

**U.S. PATENT DOCUMENTS**

D304,225 S *	10/1989	Lathrop .....	D23/257
D516,177 S *	2/2006	Ouyoung .....	D23/241
D524,418 S *	7/2006	Schaffeld .....	D23/241
D540,918 S *	4/2007	Haug .....	D23/241
D569,482 S *	5/2008	Hanna .....	D23/238
D589,595 S *	3/2009	Eilmus .....	D23/238

D759,212 S *	6/2016	Eads .....	D23/255
D840,510 S *	2/2019	Garland .....	D23/242
D852,326 S *	6/2019	McKeone .....	D23/242
10,955,059 B2 *	3/2021	Rosko .....	E03C 1/0404
2019/0264825 A1 *	8/2019	Rosko .....	F16K 11/22

**FOREIGN PATENT DOCUMENTS**

CA 183522 \* 9/2018

\* cited by examiner

*Primary Examiner* — Barbara Fox

*Assistant Examiner* — Jamaal Rasheed

(74) *Attorney, Agent, or Firm* — Nirav D. Parikh; Edgar A. Zarins

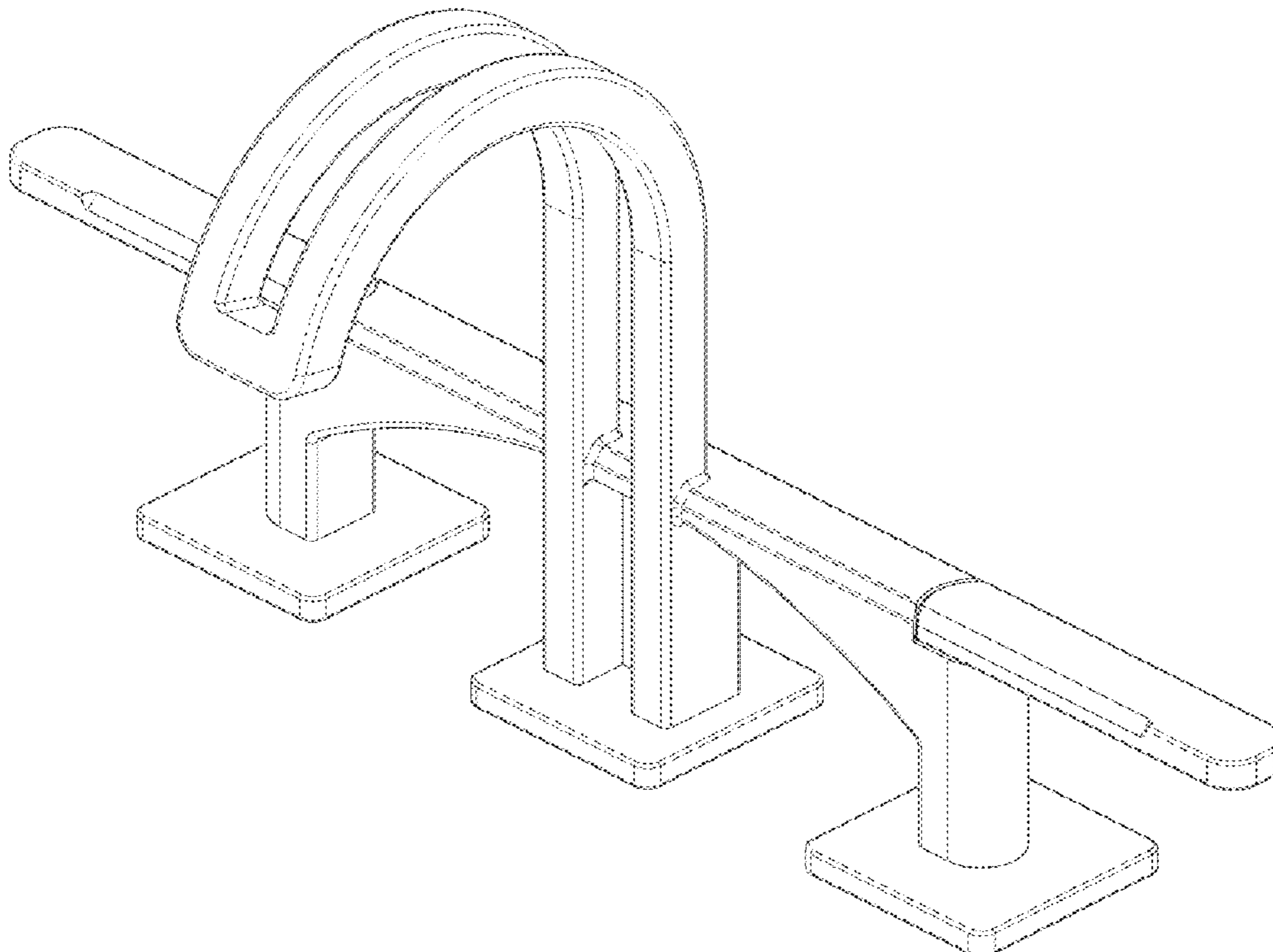
(57) **CLAIM**

The ornamental design for a faucet, as shown and described.

**DESCRIPTION**

FIG. 1 is a front perspective view of a faucet showing my new design;  
FIG. 2 is a rear perspective view thereof;  
FIG. 3 is a front elevational view thereof;  
FIG. 4 is a left side view thereof;  
FIG. 5 is a rear view thereof;  
FIG. 6 is a right side view thereof;  
FIG. 7 is a top plan view thereof; and,  
FIG. 8 is a bottom view thereof.  
The broken lines showing of a spout opening is for the purposes of depicting portions of the faucet that form no part of the claimed design.

**1 Claim, 4 Drawing Sheets**



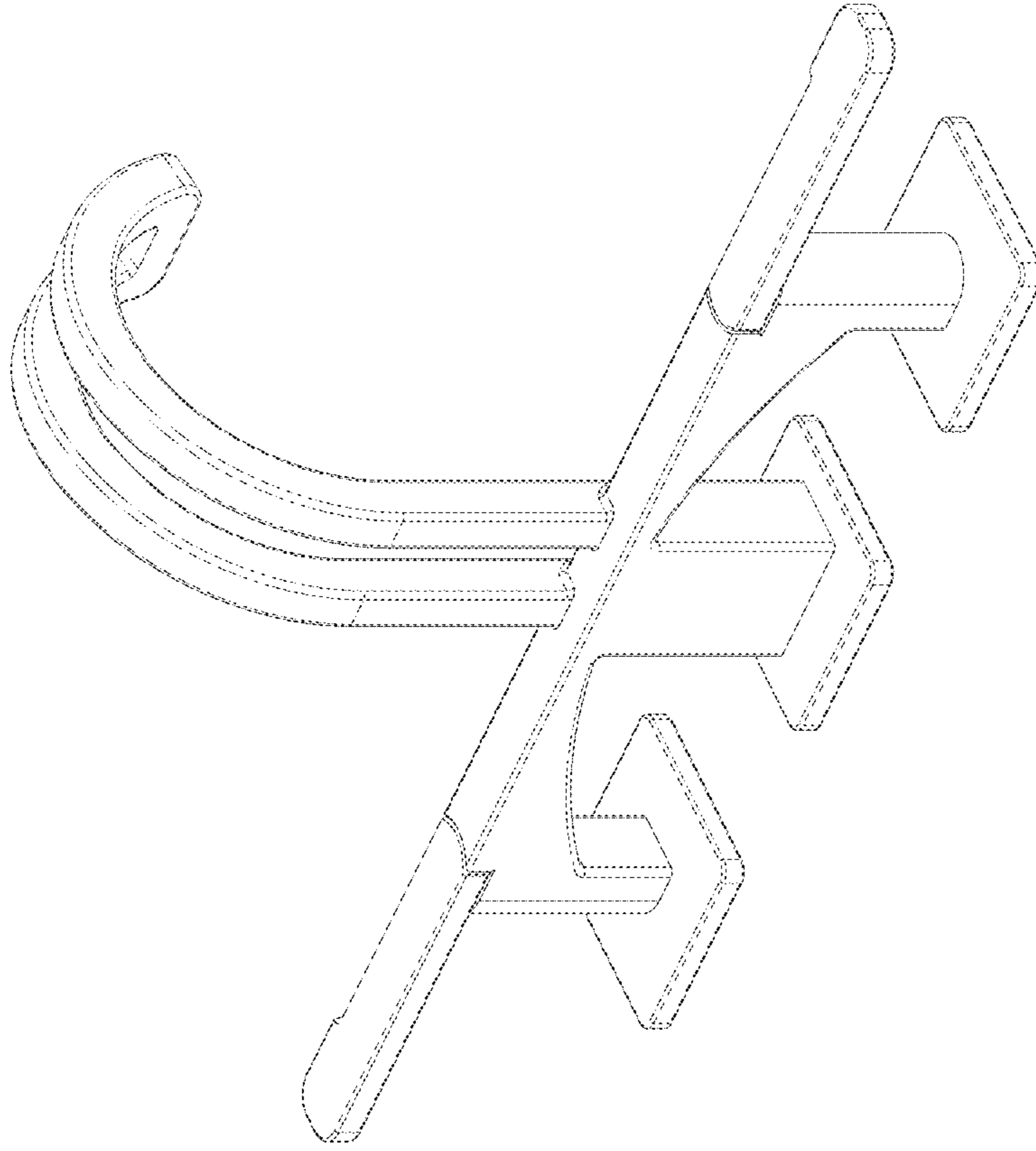


FIG-2

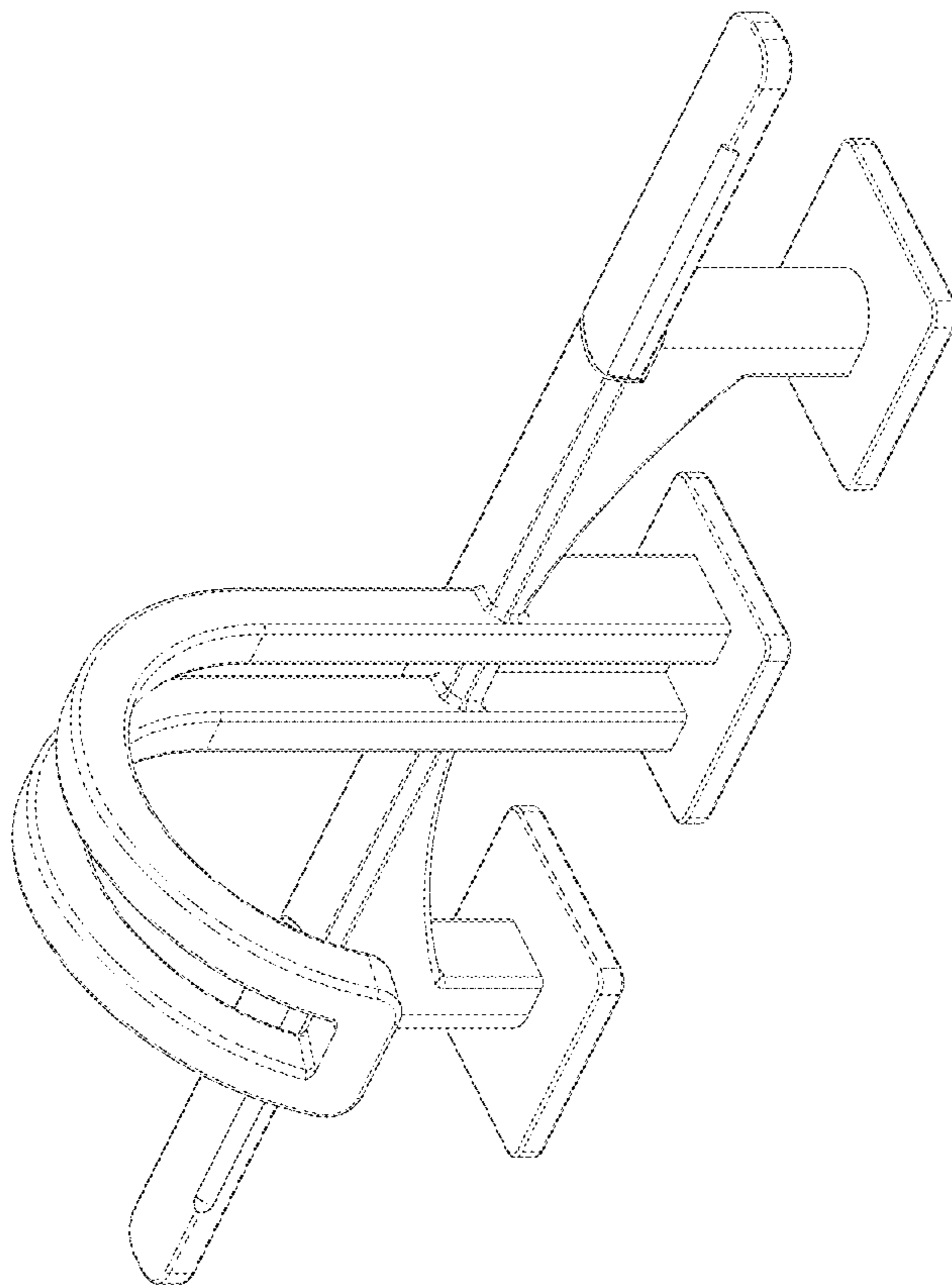


FIG-1

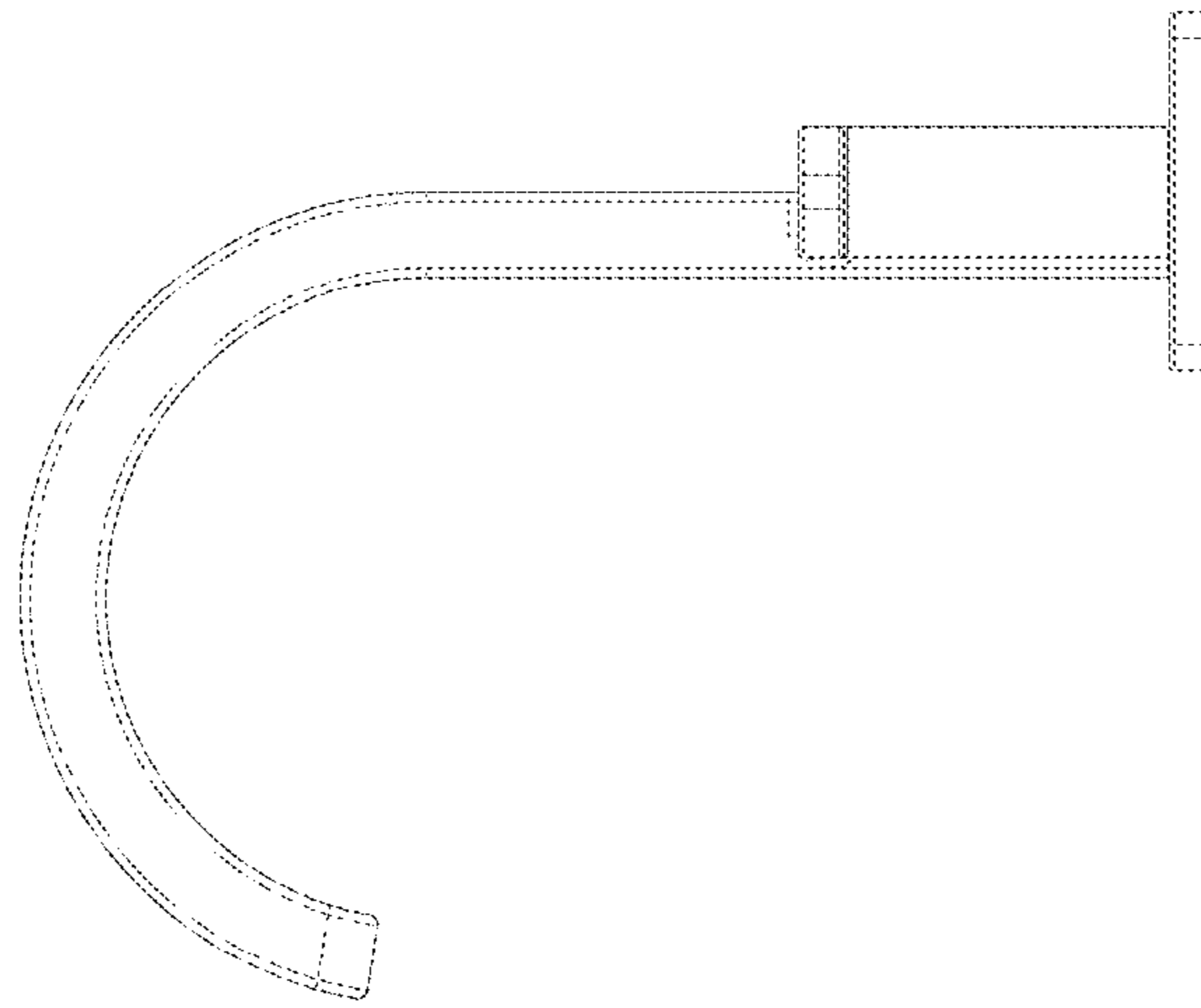


FIG - 4

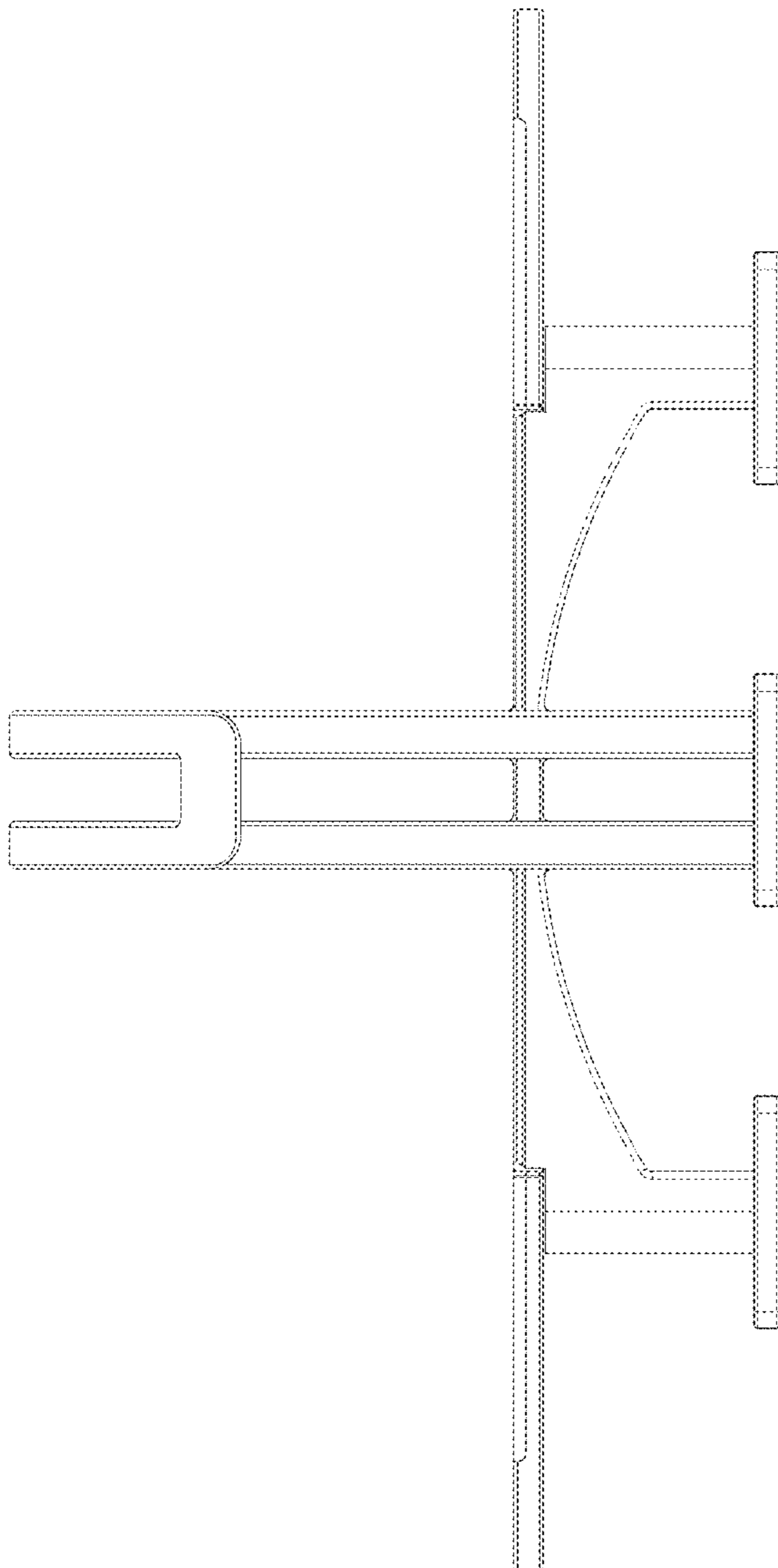


FIG - 3

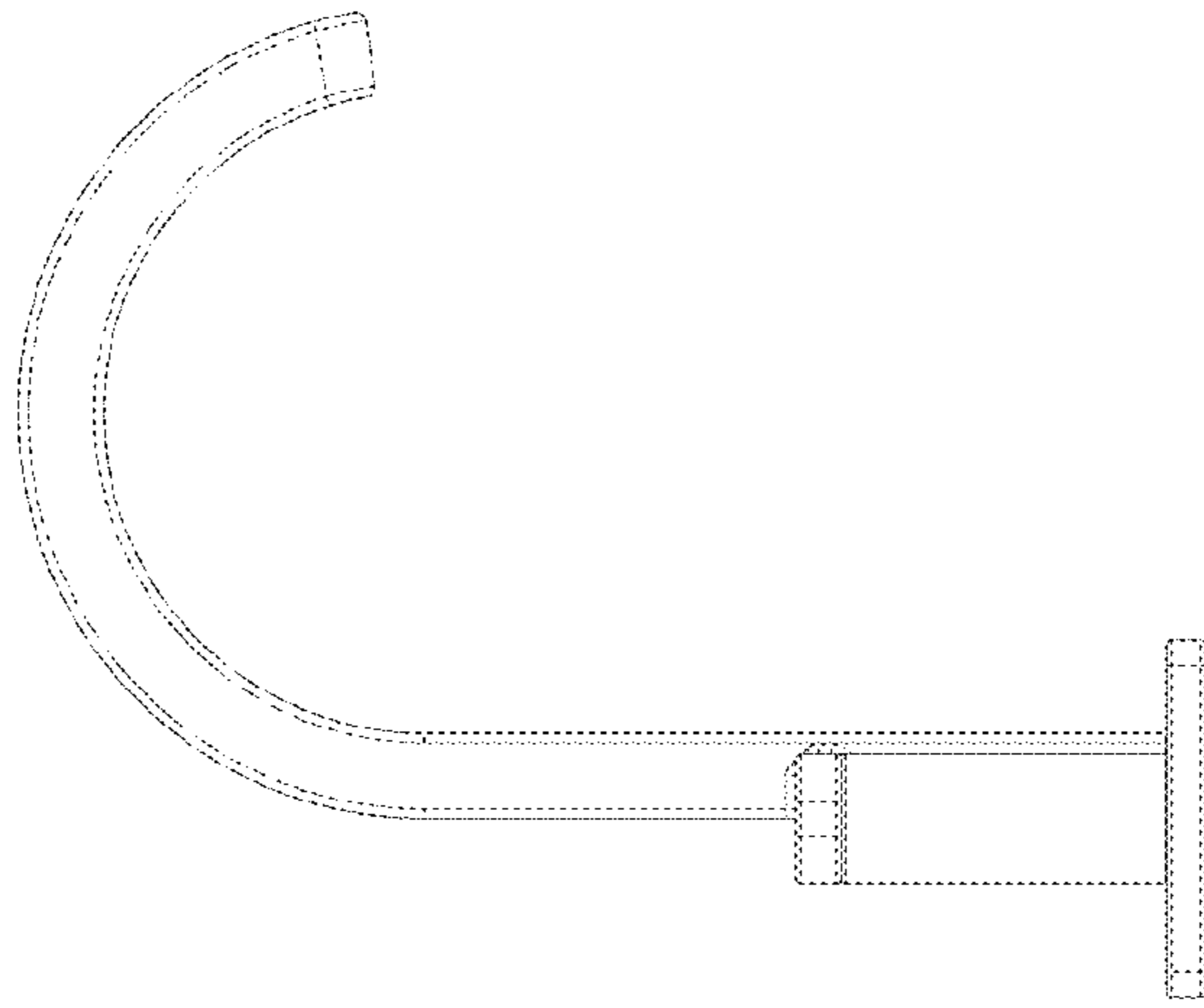


FIG - 6

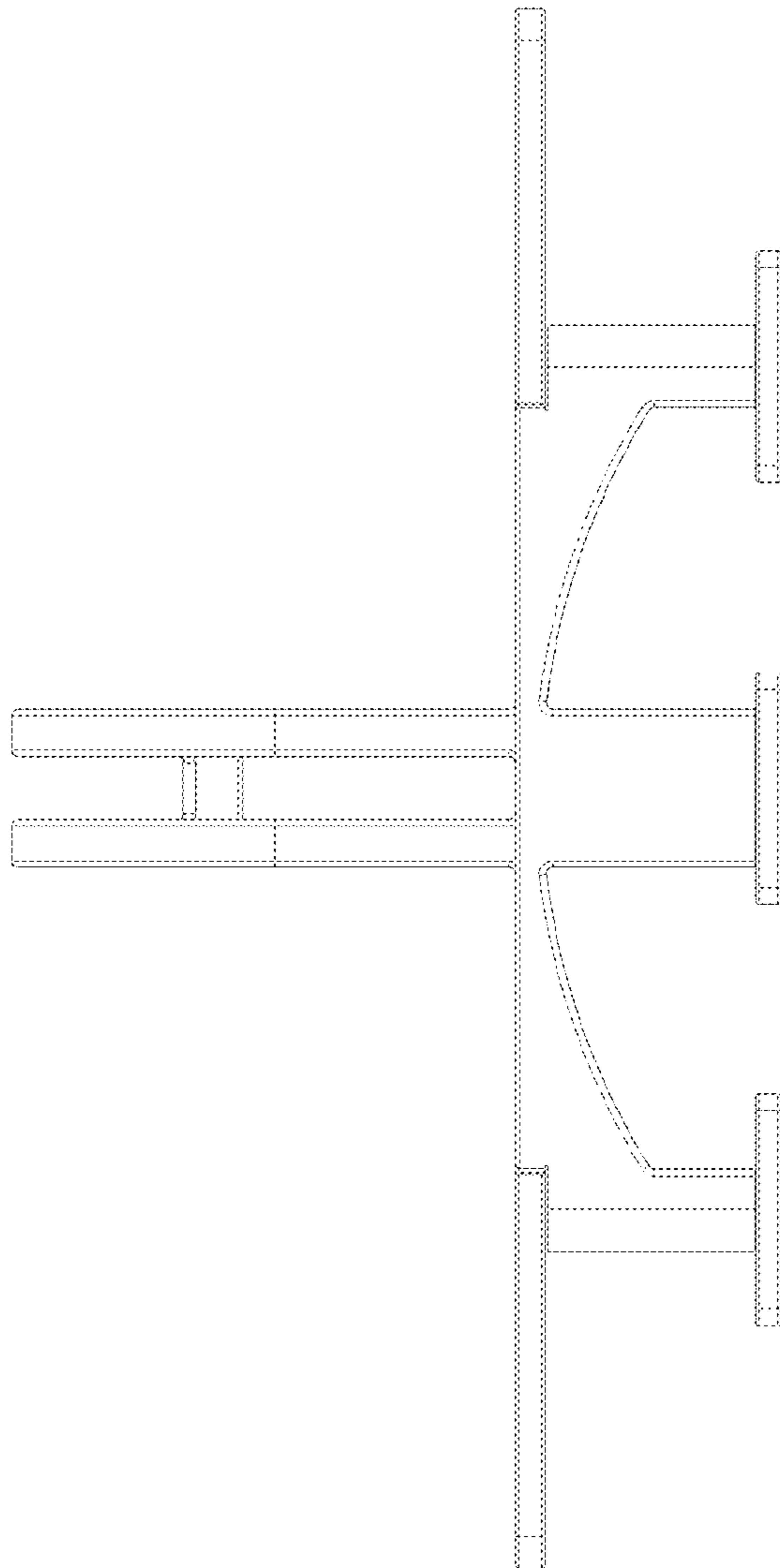


FIG - 5

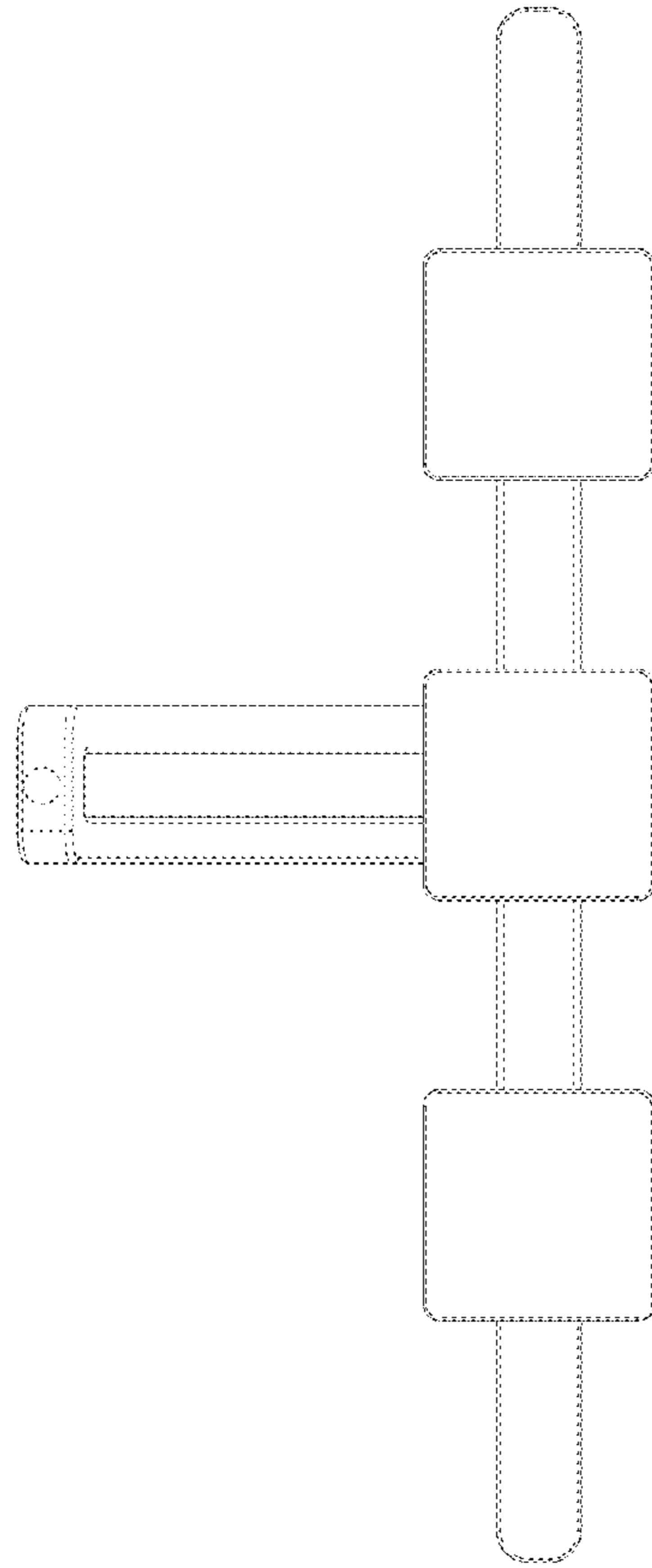


FIG - 8

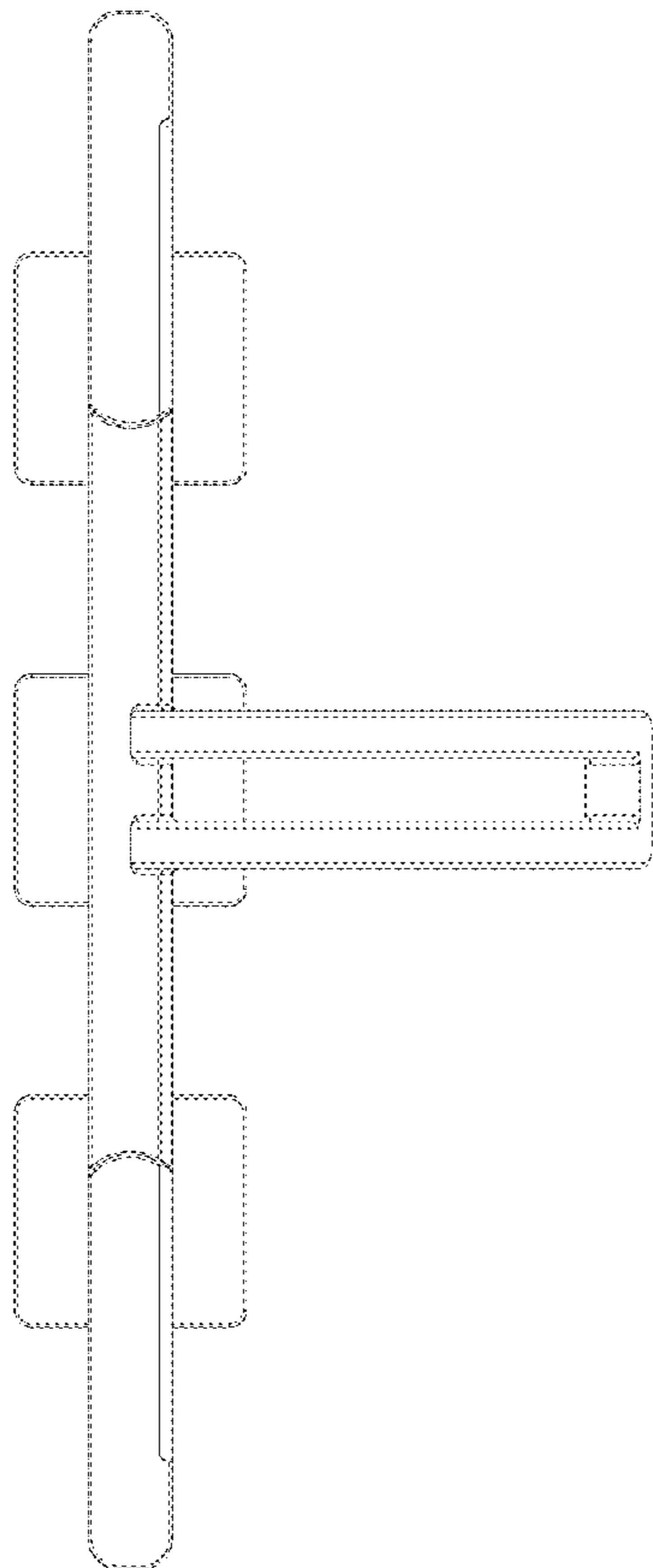


FIG - 7