



US00D936793S

(12) **United States Design Patent** (10) **Patent No.:** **US D936,793 S**  
**Stoler et al.** (45) **Date of Patent:** **\*\* Nov. 23, 2021**

(54) **FAUCET**  
(71) Applicant: **DELTA FAUCET COMPANY**,  
Indianapolis, IN (US)  
(72) Inventors: **Benjamin David Stoler**, Carmel, IN  
(US); **Jordan Bahler**, Frankfort, IN  
(US)  
(73) Assignee: **DELTA FAUCET COMPANY**,  
Indianapolis, IN (US)  
(\*\*) Term: **15 Years**  
(21) Appl. No.: **29/723,386**  
(22) Filed: **Feb. 6, 2020**  
(51) **LOC (13) Cl.** ..... **23-01**  
(52) **U.S. Cl.**  
USPC ..... **D23/238**  
(58) **Field of Classification Search**  
USPC ..... D23/238-244, 252, 254-255, 257;  
D8/307-308  
CPC .... F16K 31/602; F16K 31/605; F16K 31/607;  
E03C 1/0412  
See application file for complete search history.

D873,960 S \* 1/2020 Fritz ..... D23/238  
D874,613 S \* 2/2020 Park ..... D23/238  
D875,215 S \* 2/2020 Bahler ..... D23/238  
(Continued)

**FOREIGN PATENT DOCUMENTS**

CN 303020854 \* 6/2014  
CN 304817718 \* 8/2018  
CN 304909329 \* 10/2018

**OTHER PUBLICATIONS**

Moen S53004 Weymouth Shepherd's Hook Pulldown Kitchen Bar  
Faucet Featuring Metal Wand with Power Clean , announced Dec.  
17, 2018[online], [site visited Feb. 9, 2021]. Available from internet,  
URL:<<https://www.amazon.com/Moen-S53004NL-Weymouth-Shepherds-Featuring/dp/B07PZDPK11?th=1>> (Year: 2018).\*  
(Continued)

*Primary Examiner* — Barbara Fox  
*Assistant Examiner* — Jamaal Rasheed  
(74) *Attorney, Agent, or Firm* — Nirav D. Parikh; Edgar  
A. Zarins

(57) **CLAIM**

The ornamental design for a faucet, as shown and described.

**DESCRIPTION**

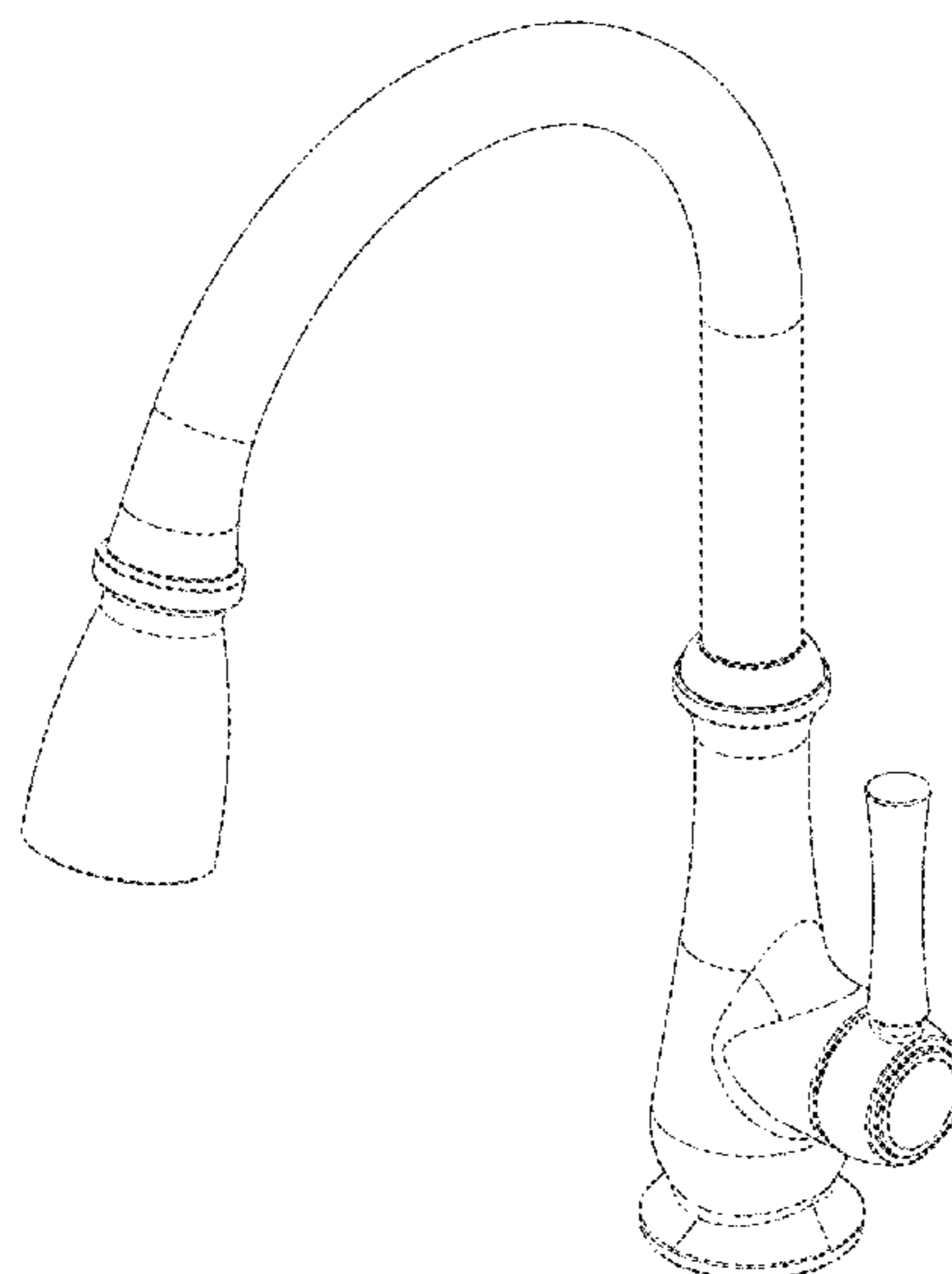
FIG. 1 is a front perspective view of a faucet showing our  
new design;  
FIG. 2 is a rear perspective view thereof;  
FIG. 3 is a front elevational view thereof;  
FIG. 4 is a left side view thereof;  
FIG. 5 is a rear view thereof;  
FIG. 6 is a right side view thereof;  
FIG. 7 is a top plan view thereof; and,  
FIG. 8 is a bottom view thereof.

**1 Claim, 4 Drawing Sheets**

(56) **References Cited**

**U.S. PATENT DOCUMENTS**

D683,822 S \* 6/2013 Kwok ..... D23/238  
D686,300 S \* 7/2013 Fritz ..... D23/238  
D754,294 S \* 4/2016 Garland ..... D23/238  
D828,508 S \* 9/2018 Fritz ..... D23/238  
D835,236 S \* 12/2018 Ziemann ..... D23/238  
D835,237 S \* 12/2018 Ziemann ..... D23/238  
D840,509 S \* 2/2019 Garland ..... D23/238  
D860,392 S \* 9/2019 Garland ..... D23/238  
D869,610 S \* 12/2019 Garland ..... D23/238  
D870,852 S \* 12/2019 Eads ..... D23/238  
D871,547 S \* 12/2019 Eads ..... D23/238  
D872,235 S \* 1/2020 Garland ..... D23/238  
D873,379 S \* 1/2020 Fritz ..... D23/238  
D873,380 S \* 1/2020 Judge ..... D23/238



(56)

**References Cited**

U.S. PATENT DOCUMENTS

D890,302	S	*	7/2020	Chen	.....	D23/238
D913,433	S	*	3/2021	Ao	.....	D23/238
D913,436	S	*	3/2021	Zhu	.....	D23/238
D913,440	S	*	3/2021	Zeng	.....	D23/238
D914,144	S	*	3/2021	Levi	.....	D23/238
D914,150	S	*	3/2021	He	.....	D23/238
D914,846	S	*	3/2021	Zhang	.....	D23/238
2016/0145840	A1	*	5/2016	de Swarte	.....	E03C 1/0412 137/625.4

OTHER PUBLICATIONS

APPASO Pull Down Kitchen Faucet, first available Dec. 24, 2018[online], [site visited Apr. 9, 2021]. Available from internet, URL:<<https://www.amazon.com/APPASO-Kitchen-Magnetic-Docking-Sprayer/dp/B07MGRB9KW>> (Year: 2018).\*

Moen Brantford Motionsense Wave Touchless One-Handle Pulldown Kitchen Faucet, announced Dec. 1, 2018[online], [site visited Feb. 5, 2021]. Available from internet, URL:<<https://www.amazon.com/Moen-Brantford-Motionsense-One-Handle-7185EWC/dp/B07MHJX584>> (Year: 2018).\*

\* cited by examiner

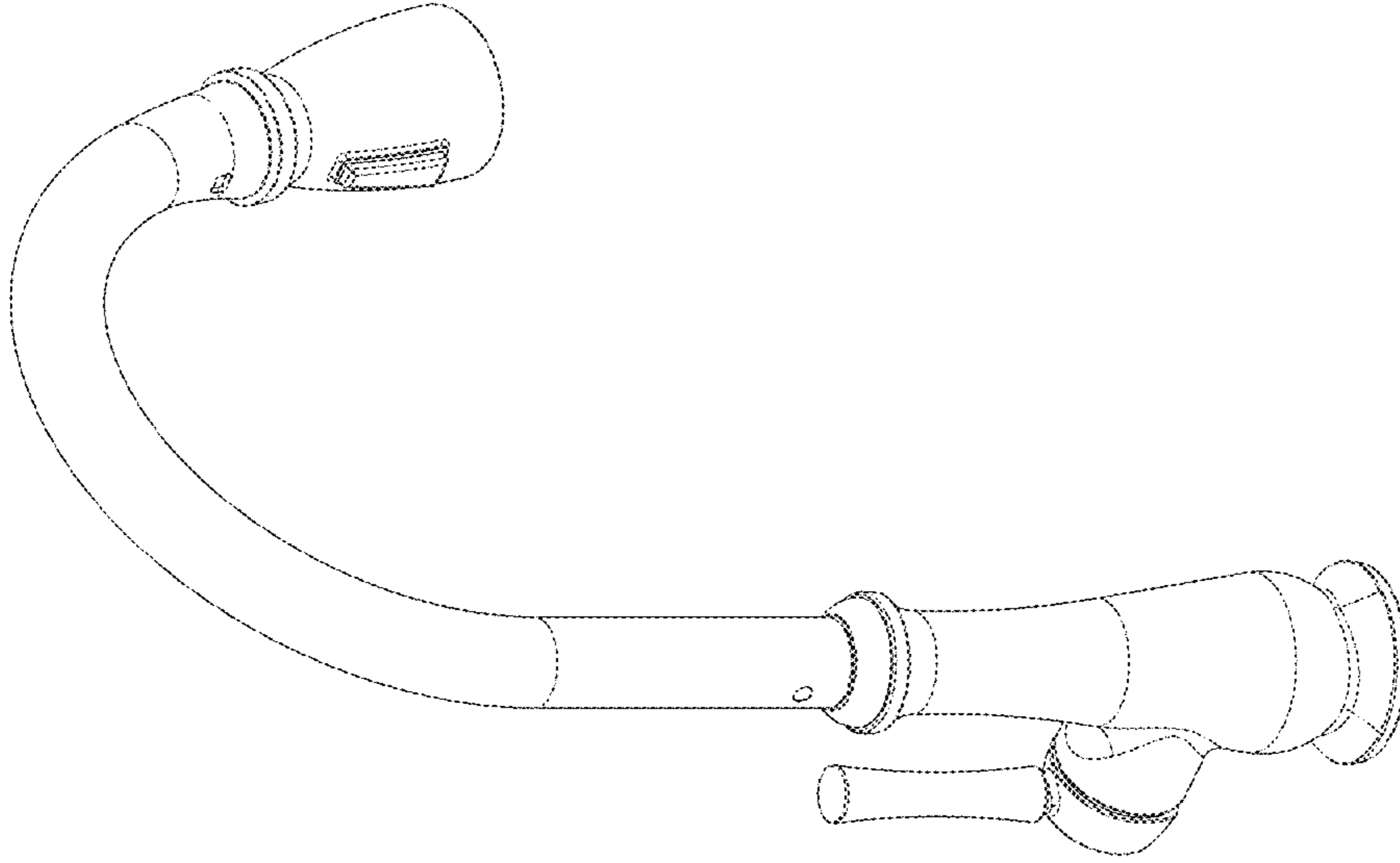


FIG - 2

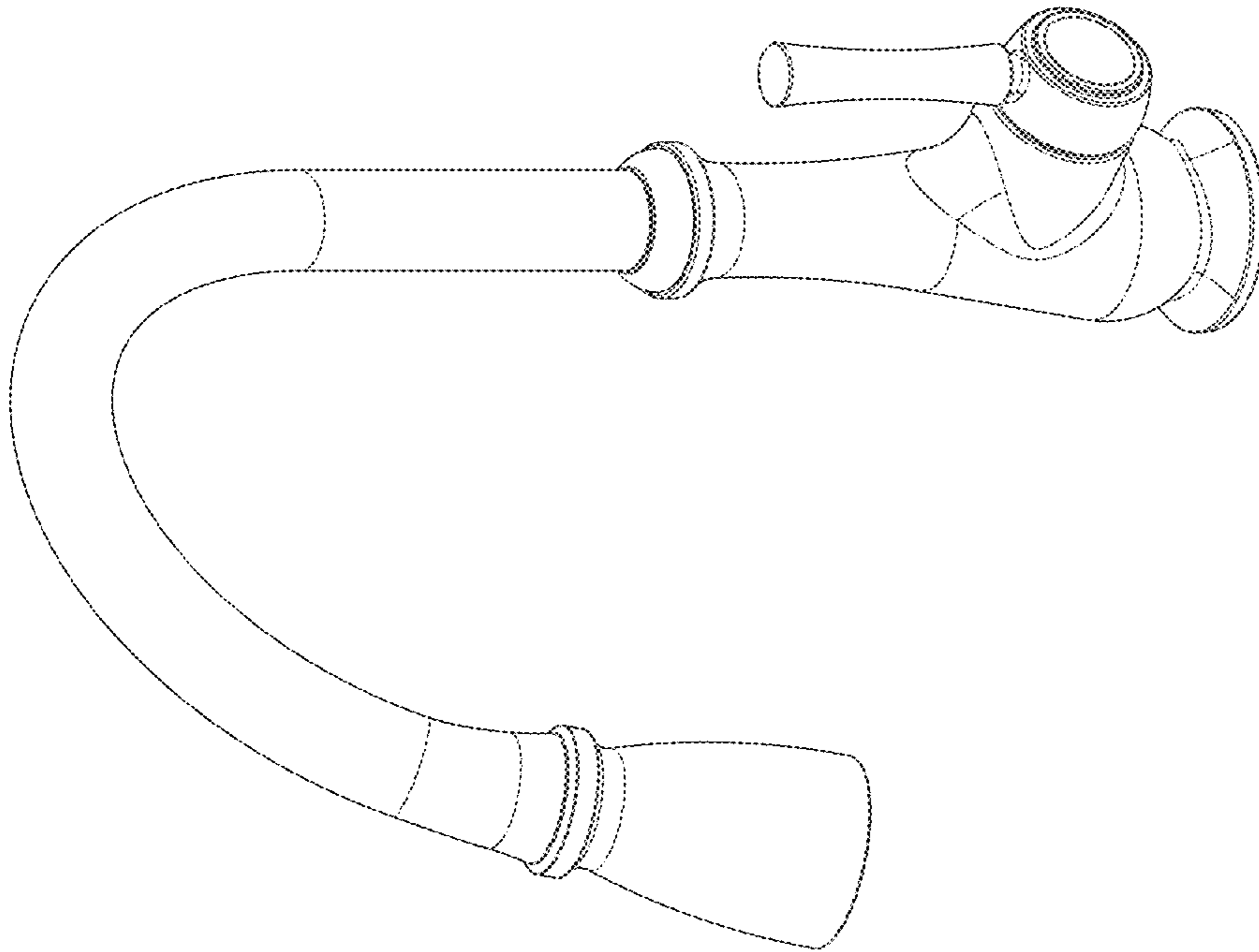


FIG - 1

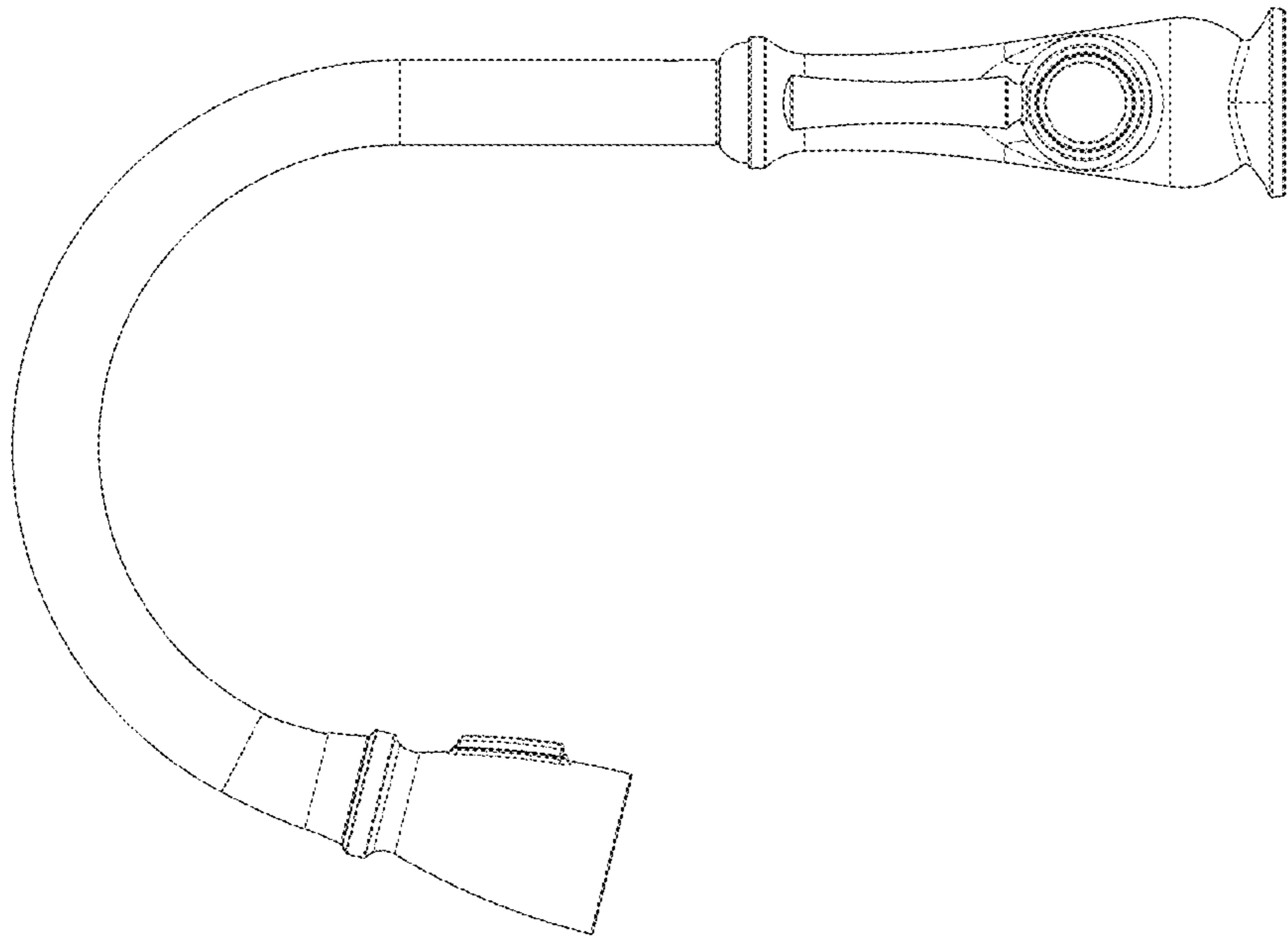


FIG - 4

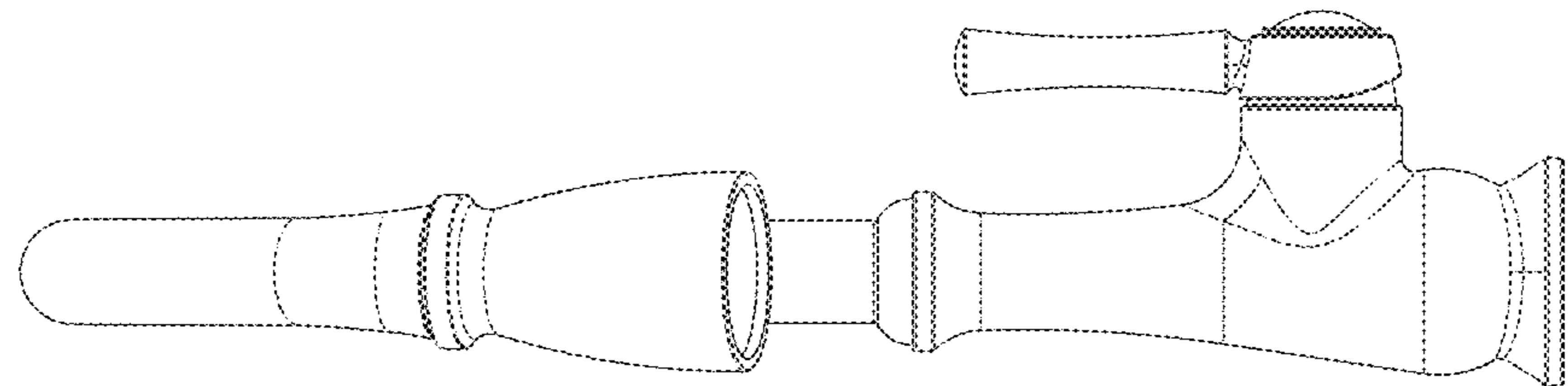


FIG - 3

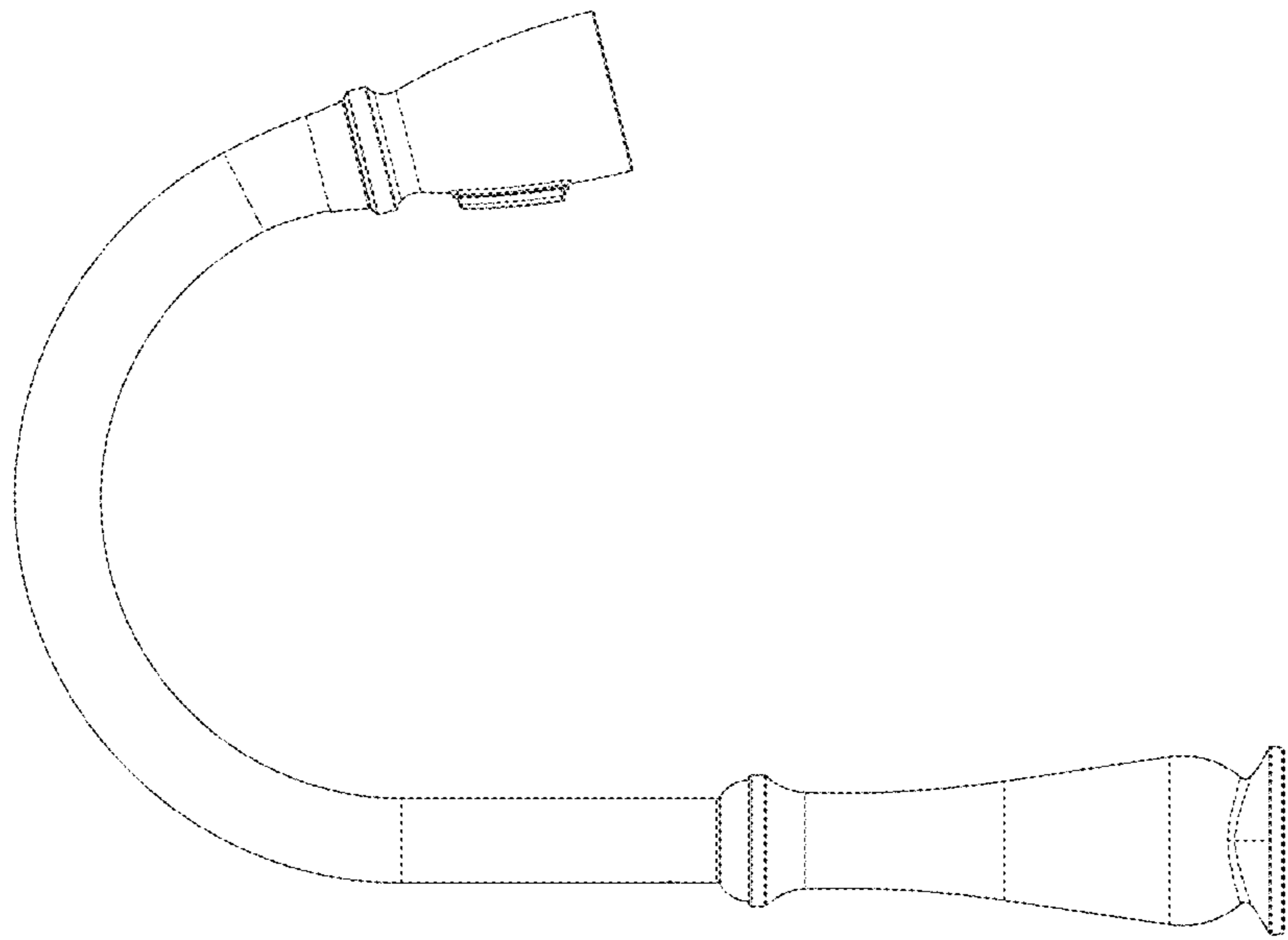


FIG - 6

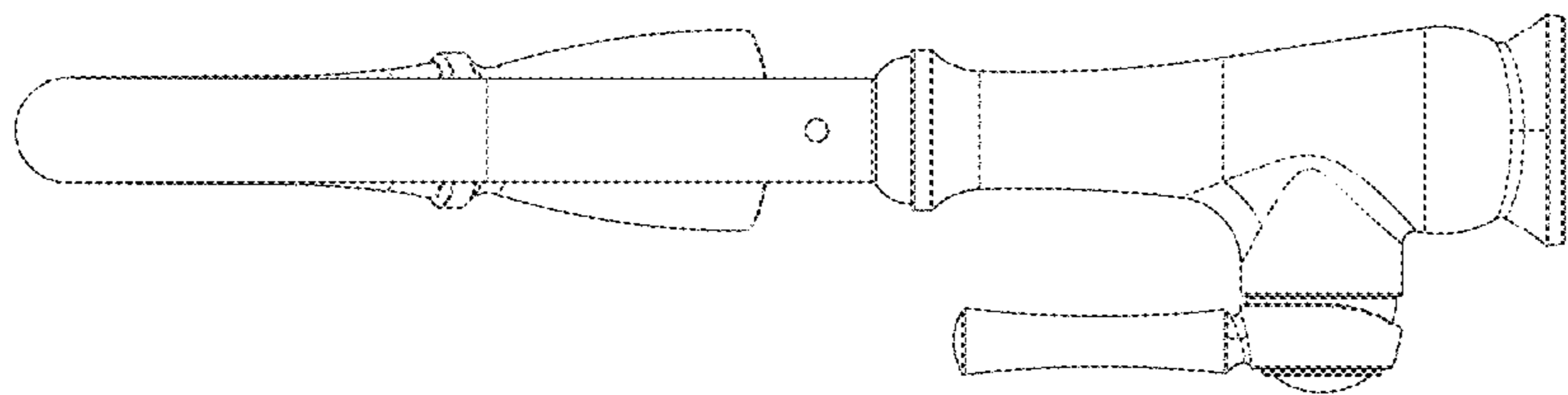


FIG - 5

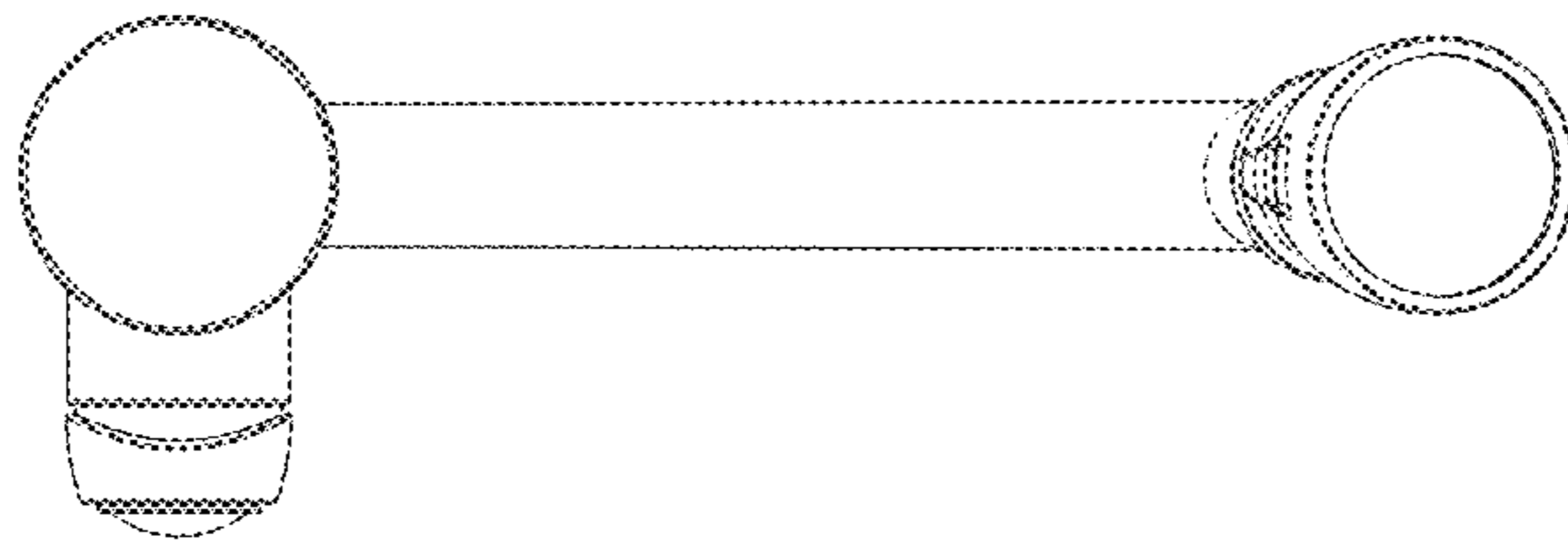


FIG - 8

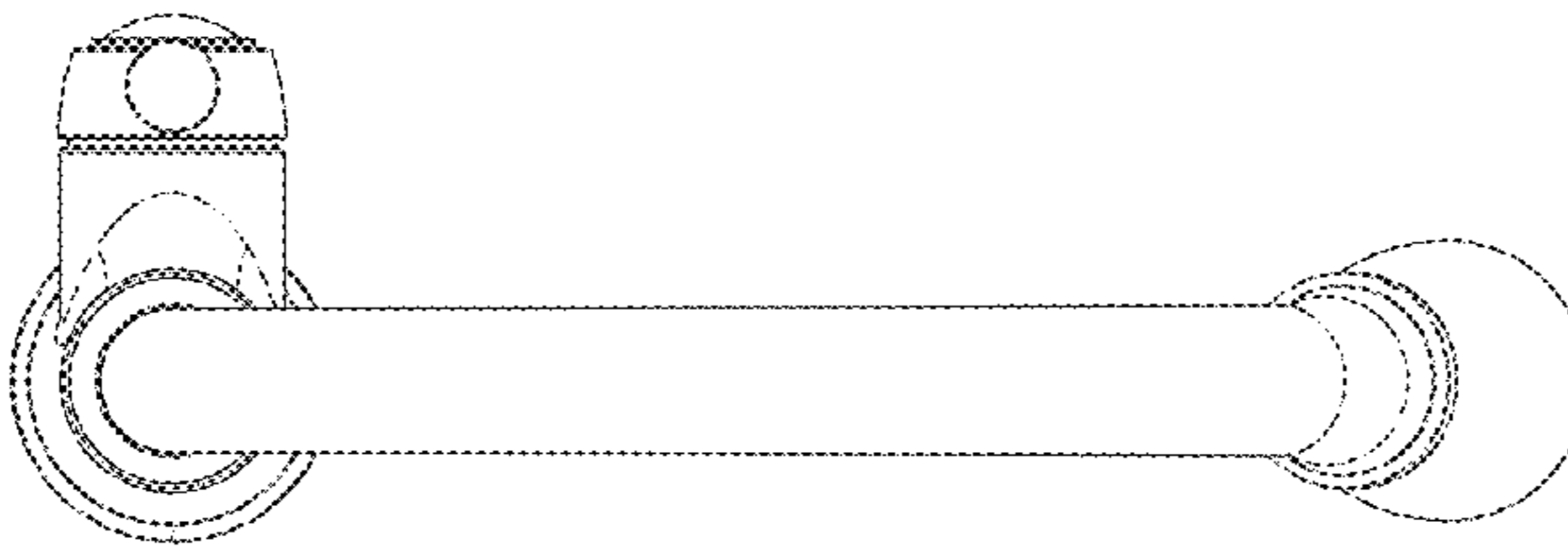


FIG - 7