



US00D936792S

(12) **United States Design Patent** (10) **Patent No.:** **US D936,792 S**  
**Lazarini** (45) **Date of Patent:** **\*\* Nov. 23, 2021**

- (54) **FAUCET**
- (71) Applicant: **DELTA FAUCET COMPANY,**  
Indianapolis, IN (US)
- (72) Inventor: **Alejandra Lazarini,** Carmel, IN (US)
- (73) Assignee: **DELTA FAUCET COMPANY,**  
Indianapolis, IN (US)
- (\*\*) Term: **15 Years**
- (21) Appl. No.: **29/720,178**
- (22) Filed: **Jan. 10, 2020**
- (51) **LOC (13) Cl.** ..... **23-01**
- (52) **U.S. Cl.**  
USPC ..... **D23/238**
- (58) **Field of Classification Search**  
USPC ..... D23/238–244, 252, 254–255, 257;  
D8/307–308  
CPC .... F16K 31/602; F16K 31/605; F16K 31/607;  
E03C 1/0412  
See application file for complete search history.

D857,168 S \* 8/2019 Soulier ..... D23/238  
 D859,585 S \* 9/2019 Seum ..... D23/238  
 2016/0376775 A1\* 12/2016 Tasserit ..... F16K 27/00  
 137/801

**FOREIGN PATENT DOCUMENTS**

CN 304246355 \* 7/2017

**OTHER PUBLICATIONS**

Enzo Rodi Brushed Nickel Bathroom Faucet, announced Feb. 12, 2019[online], [site visited Mar. 11, 2021]. Available from internet, URL:<<https://www.amazon.com/ENZO-RODI-Bathroom-Assembly-ERF1393427AP-10/dp/B07NNT6WKY>> (Year: 2019).\*

Delta Faucet Modern Single Hole Bathroom Faucet, first available Nov. 4, 2014[online], [site visited Apr. 7, 2021]. Available from internet, URL:<<https://www.amazon.com/Delta-Faucet-559LF-PP-inches-Chrome/dp/B00P8A64B6>> (Year: 2014).\*

\* cited by examiner

*Primary Examiner* — Barbara Fox  
*Assistant Examiner* — Jamaal Rasheed  
 (74) *Attorney, Agent, or Firm* — Nirav D. Parikh; Edgar A. Zarins

(56) **References Cited**  
U.S. PATENT DOCUMENTS

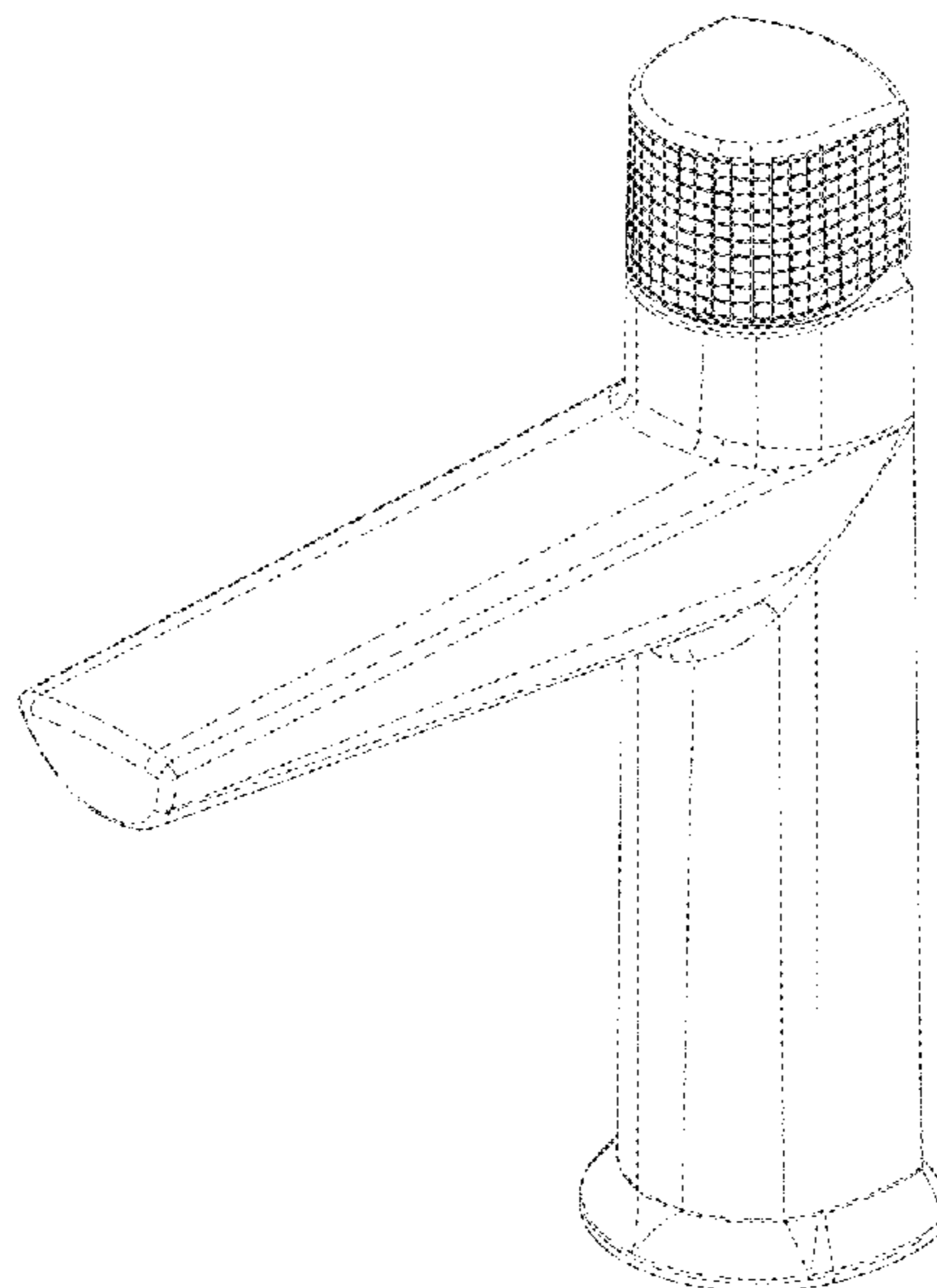
- D708,709 S \* 7/2014 Yu ..... D23/238
- D757,223 S \* 5/2016 Schoenherr ..... D23/238
- D757,230 S \* 5/2016 Schoenherr ..... D23/255
- D760,354 S \* 6/2016 Citterio ..... D23/238
- D796,636 S \* 9/2017 Downey ..... D23/238
- D796,643 S \* 9/2017 Downey ..... D23/255
- D805,163 S \* 12/2017 Schoenherr ..... D23/238
- D809,103 S \* 1/2018 Schoenherr ..... D23/238
- D823,434 S \* 7/2018 Downey ..... D23/238
- D828,503 S \* 9/2018 Schoenherr ..... D23/238
- D828,512 S \* 9/2018 Liu ..... D23/238
- D841,129 S \* 2/2019 Garland ..... D23/238
- D841,778 S \* 2/2019 Ando ..... D23/238
- 10,329,747 B2\* 6/2019 Lu ..... E03C 1/0402

(57) **CLAIM**  
The ornamental design for a faucet, as shown and described.

**DESCRIPTION**

FIG. 1 is a front perspective view of a faucet showing my new design;  
 FIG. 2 is a rear perspective view thereof;  
 FIG. 3 is a front elevational view thereof;  
 FIG. 4 is a left side view thereof;  
 FIG. 5 is a rear view thereof;  
 FIG. 6 is a right side view thereof; and,  
 FIG. 7 is a top plan view thereof.

**1 Claim, 4 Drawing Sheets**



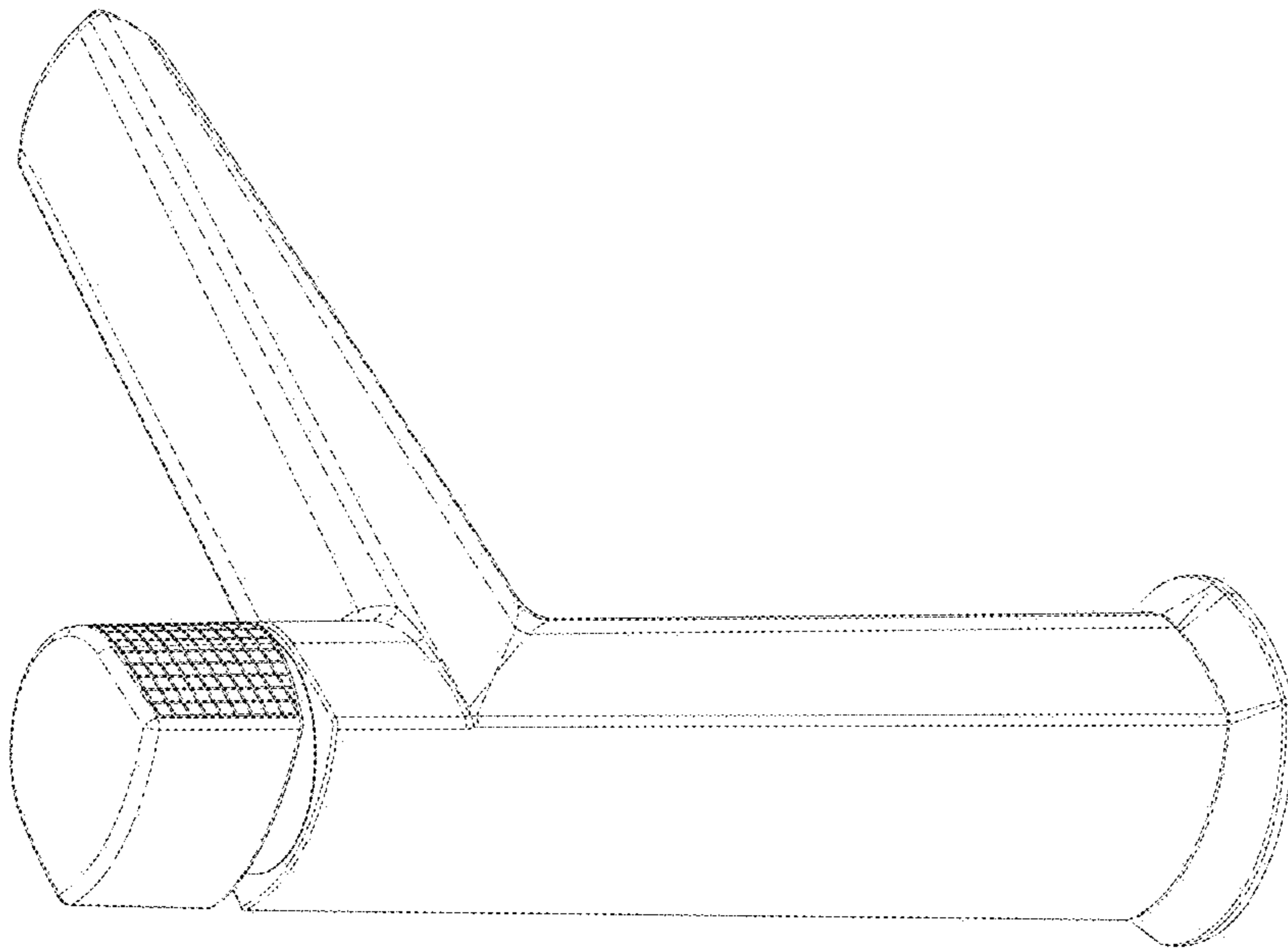


FIG. 2

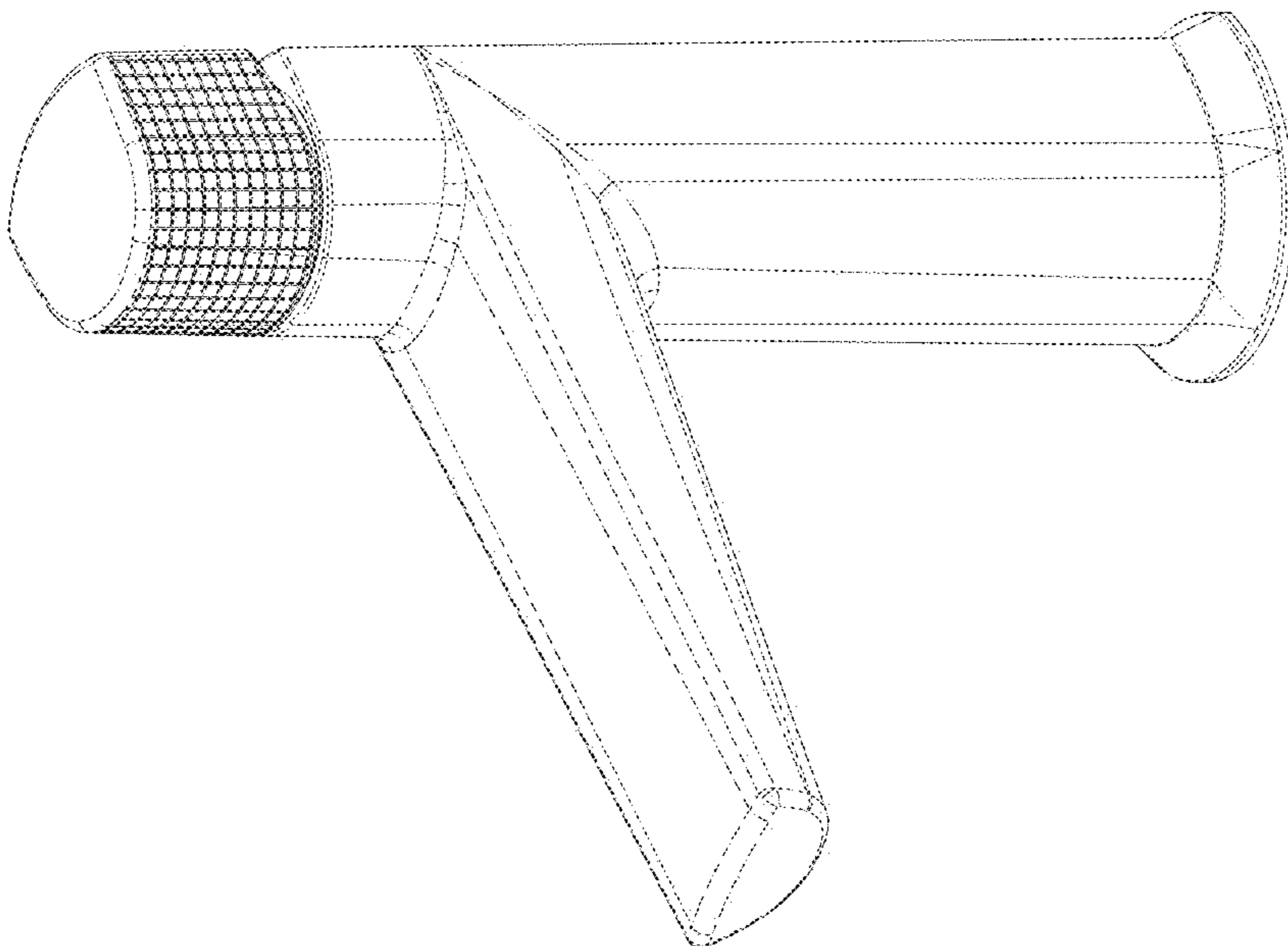


FIG. 1

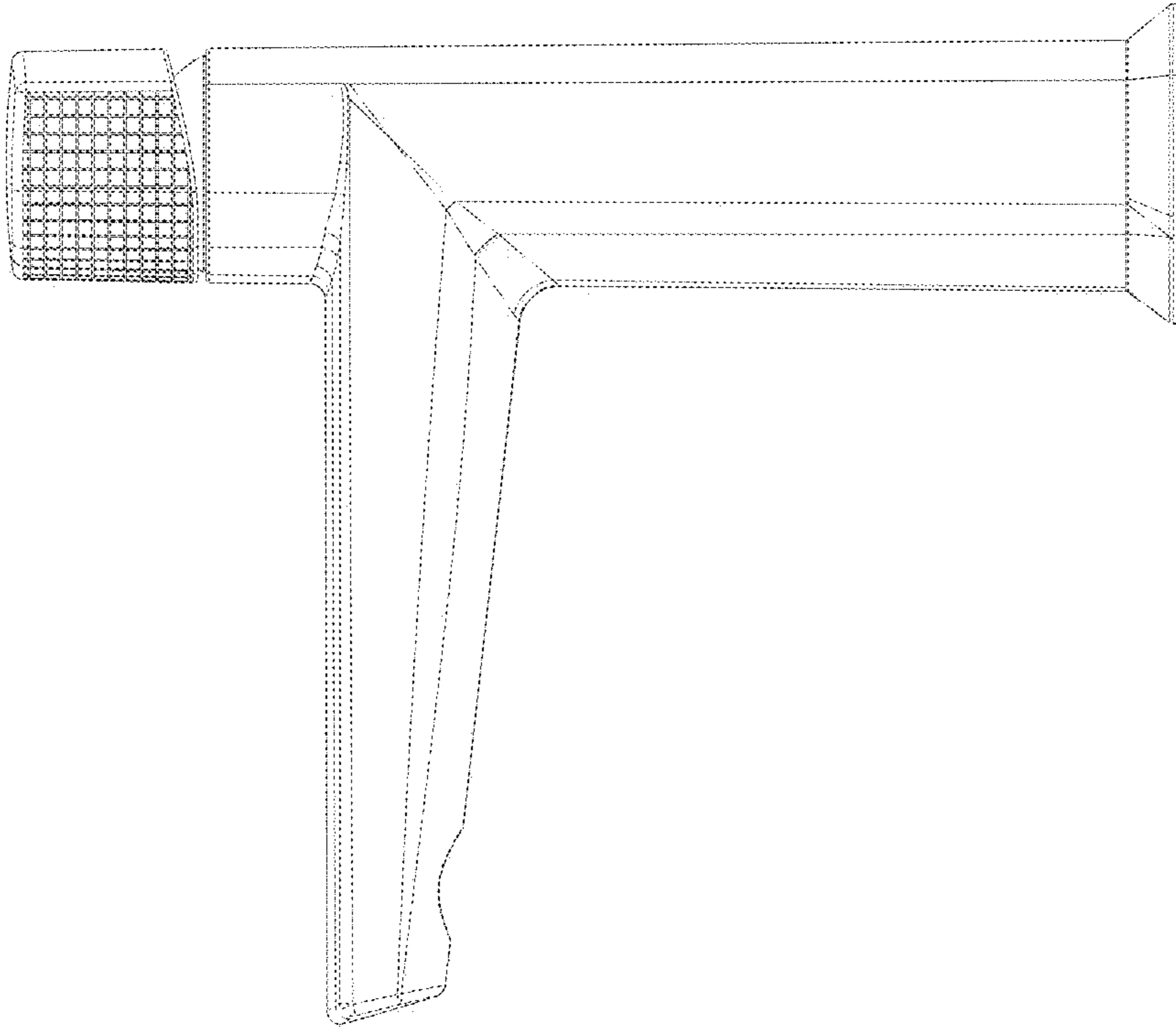


FIG - 4

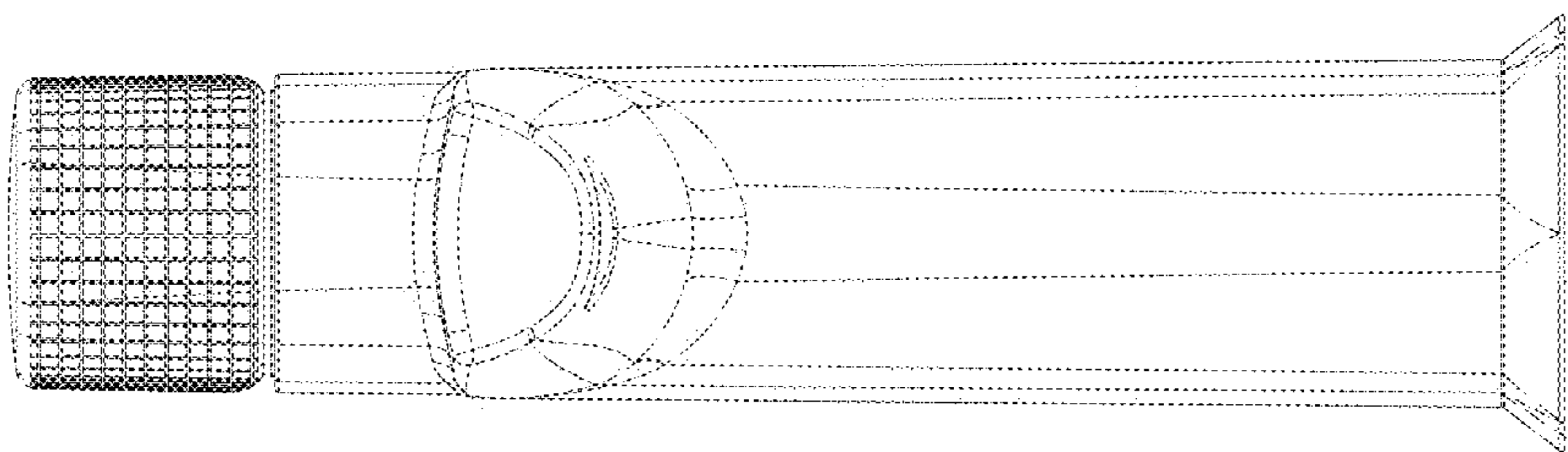


FIG - 3

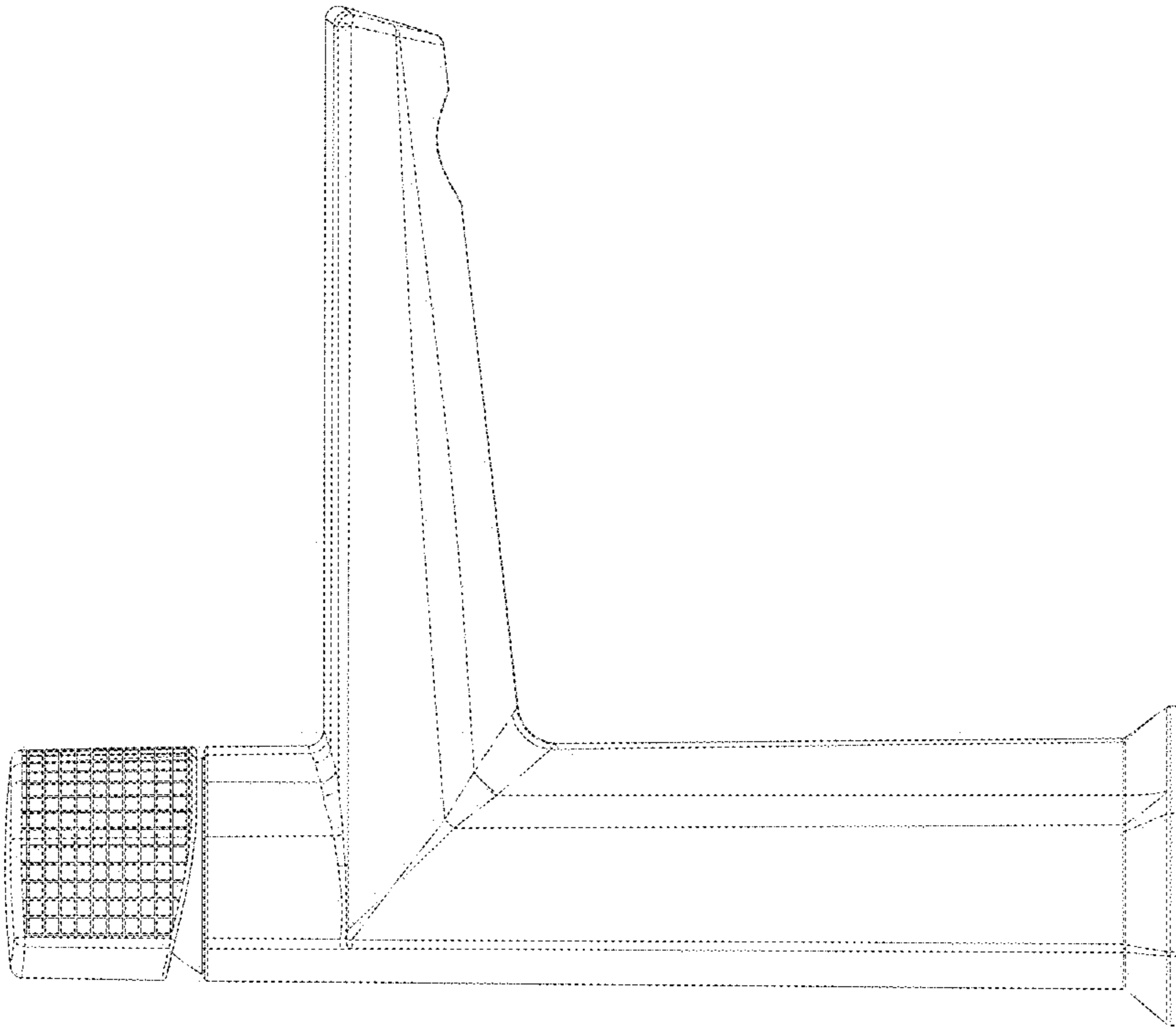


FIG - 6

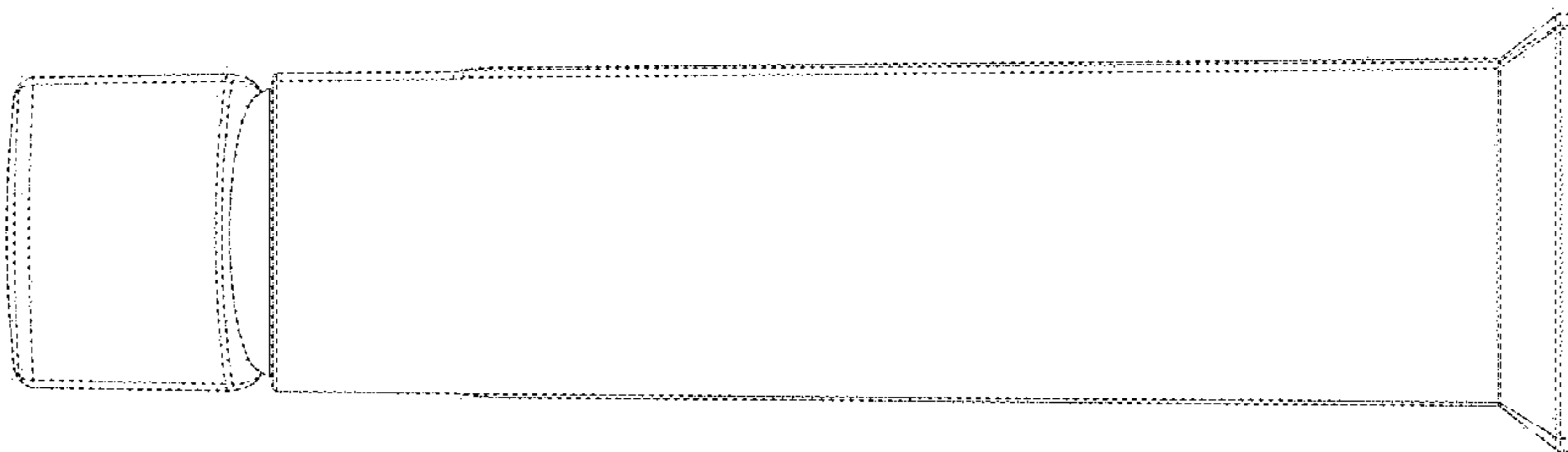


FIG - 5

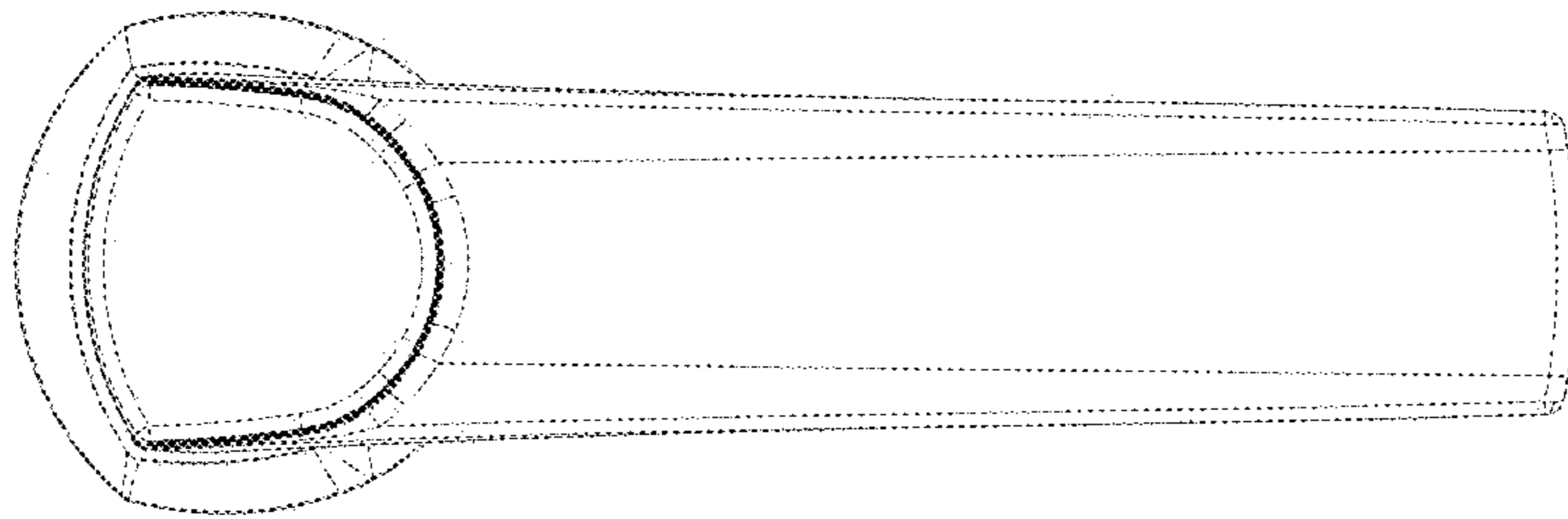


FIG - 7