

US00D936791S

(12) **United States Design Patent** (10) **Patent No.:** **US D936,791 S**
Seum et al. (45) **Date of Patent:** **** Nov. 23, 2021**

(54) **SHOWER RAIL**
(71) Applicant: **Grohe AG**, Hemer (DE)
(72) Inventors: **Michael Seum**, Duesseldorf (DE);
Patrick de Arins Speck, Curitiba (BR)
(73) Assignee: **Grohe AG**, Hemer (DE)
(**) Term: **15 Years**
(21) Appl. No.: **29/657,619**
(22) Filed: **Jul. 24, 2018**
(30) **Foreign Application Priority Data**

Jan. 24, 2018 (EM) 004678662-0006

(51) **LOC (13) Cl.** **23-01**
(52) **U.S. Cl.**
USPC **D23/228**
(58) **Field of Classification Search**
USPC D23/213, 223, 228, 238-243, 249, 250,
D23/252, 254, 255, 257, 284, 304;
D8/349, 354, 355, 356, 359, 363, 373;
4/567, 570, 600, 601, 604, 605, 615, 675
CPC E03C 1/04; E03C 1/0401; E03C 1/0403;
E03C 1/0404; E03C 1/055; E03C 1/06
See application file for complete search history.

(56) **References Cited**

U.S. PATENT DOCUMENTS

D266,212 S * 9/1982 Haug D23/304
D333,339 S * 2/1993 Klose D23/223
5,632,049 A * 5/1997 Chen E03C 1/06
248/124.2
D391,629 S * 3/1998 Gottwald D23/304
D416,992 S * 11/1999 Neufeld D23/304
D424,177 S * 5/2000 Starck D23/283
D425,608 S * 5/2000 Haug D23/304

D428,123 S * 7/2000 Mahlmann D23/304
D428,124 S * 7/2000 Starck D23/304
D443,685 S * 6/2001 Gottwald D23/304
D454,620 S * 3/2002 Starck D23/228
D477,863 S * 7/2003 Singtoroj D23/304
D496,447 S * 9/2004 Lobermeier D23/304
D497,663 S * 10/2004 Zieger D23/304
7,043,776 B1 * 5/2006 Wu E03C 1/0408
4/601
D545,419 S * 6/2007 Nikles D23/304
D552,722 S * 10/2007 Nikles D23/304
D562,950 S * 2/2008 Nikles D23/304
D586,448 S * 2/2009 Lammel D23/304
7,721,363 B2 * 5/2010 Huang E03C 1/06
4/605
D708,705 S * 7/2014 Ryu D23/228
D754,288 S * 4/2016 Bahler D23/228
D840,784 S * 2/2019 Cruver, IV D8/316
D884,122 S * 5/2020 Seum D23/228

* cited by examiner

Primary Examiner — John A Voytek

(74) *Attorney, Agent, or Firm* — Muncy, Geissler, Olds & Lowe, P.C.

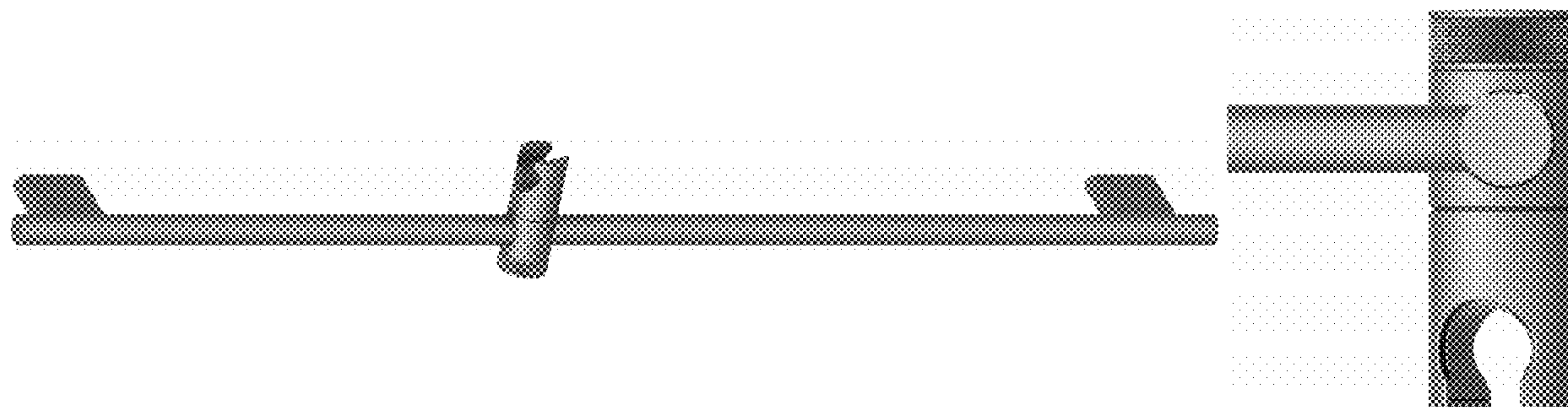
(57) **CLAIM**

The ornamental design for a shower rail, as shown and described.

DESCRIPTION

FIG. 1 is a front perspective view of a shower rail according to the present invention.
FIG. 2 is a front view of the shower rail of FIG. 1.
FIG. 3 is a rear view of the shower rail of FIG. 1.
FIG. 4 is a left side view of the shower rail of FIG. 1.
FIG. 5 is a right side view of the shower rail of FIG. 1.
FIG. 6 is a top view of the shower rail of FIG. 1; and,
FIG. 7 is a bottom view of the shower rail of FIG. 1.
The evenly spaced broken lines represent portions of the shower rail that form no part of the claimed design.

1 Claim, 7 Drawing Sheets



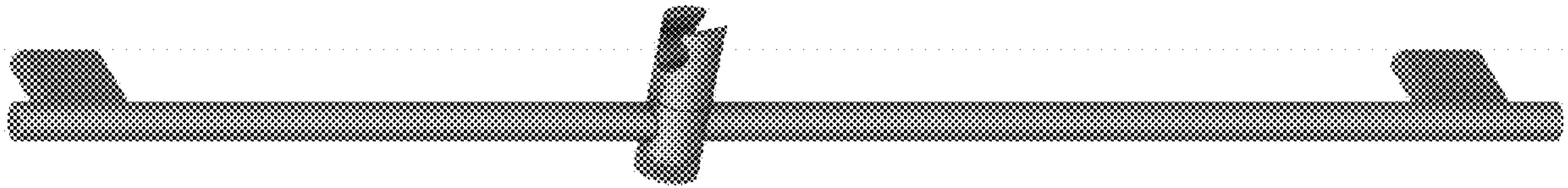


Fig. 1

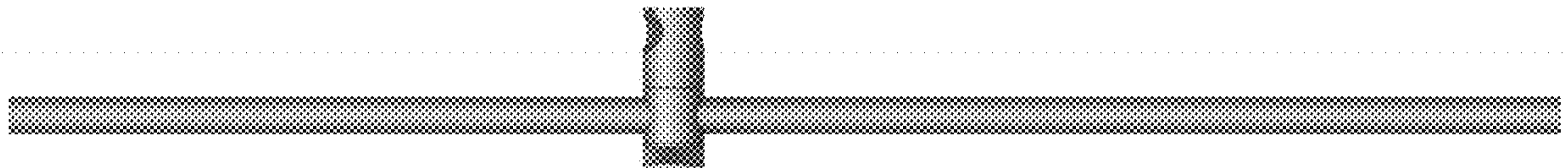


Fig. 2

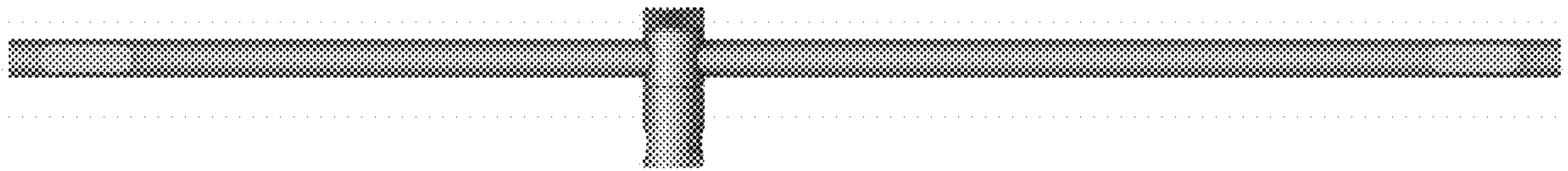


Fig. 3

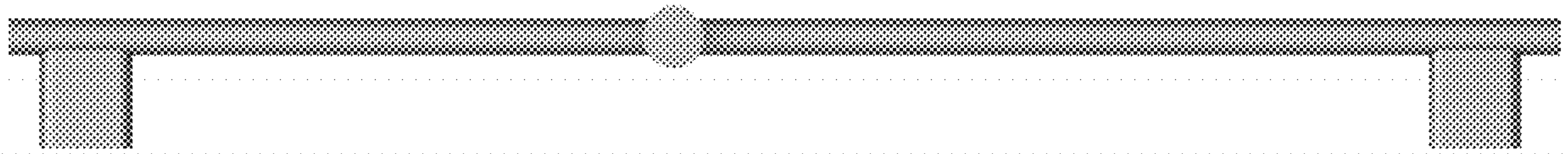


Fig. 4



Fig. 5

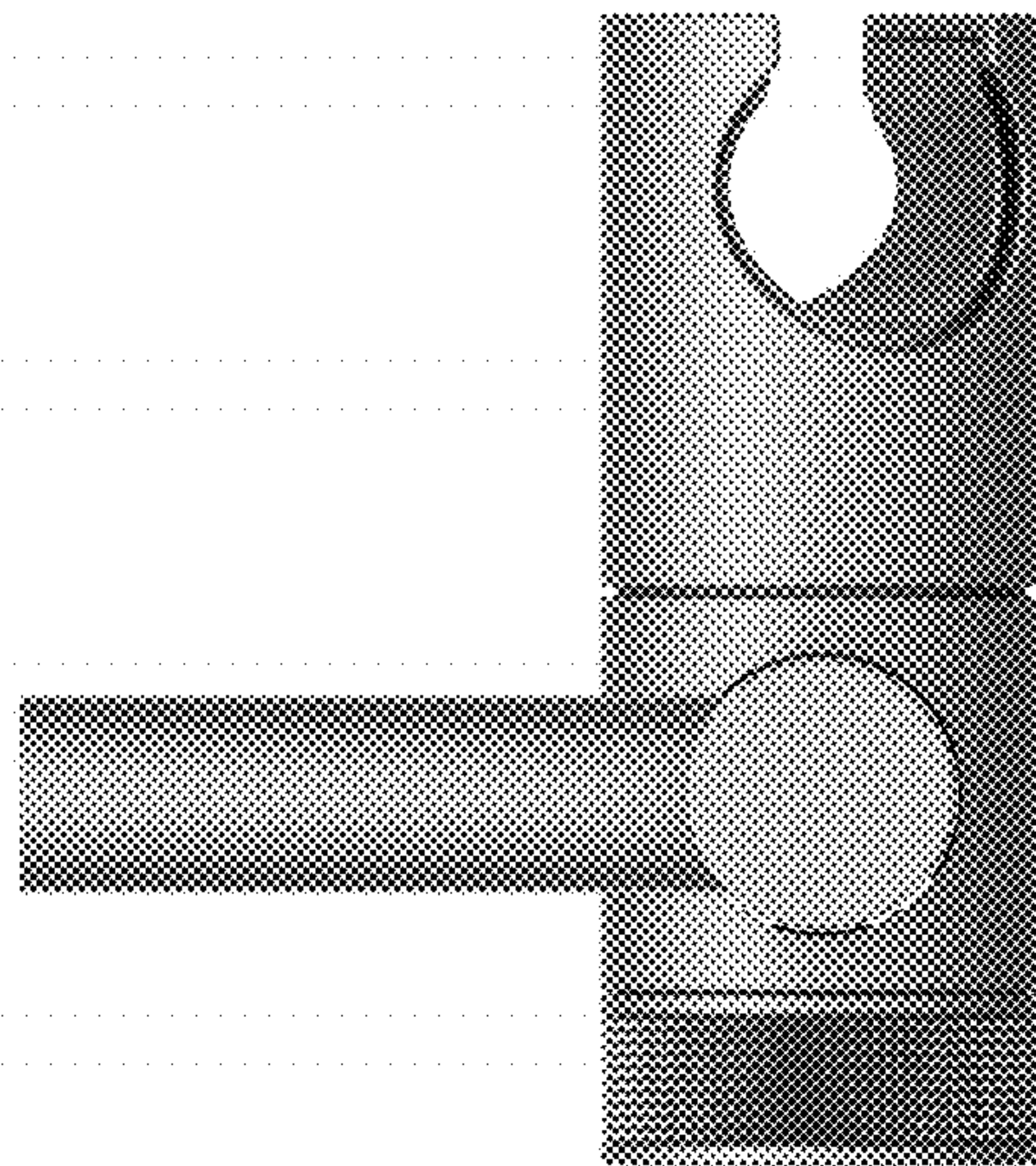


Fig. 6

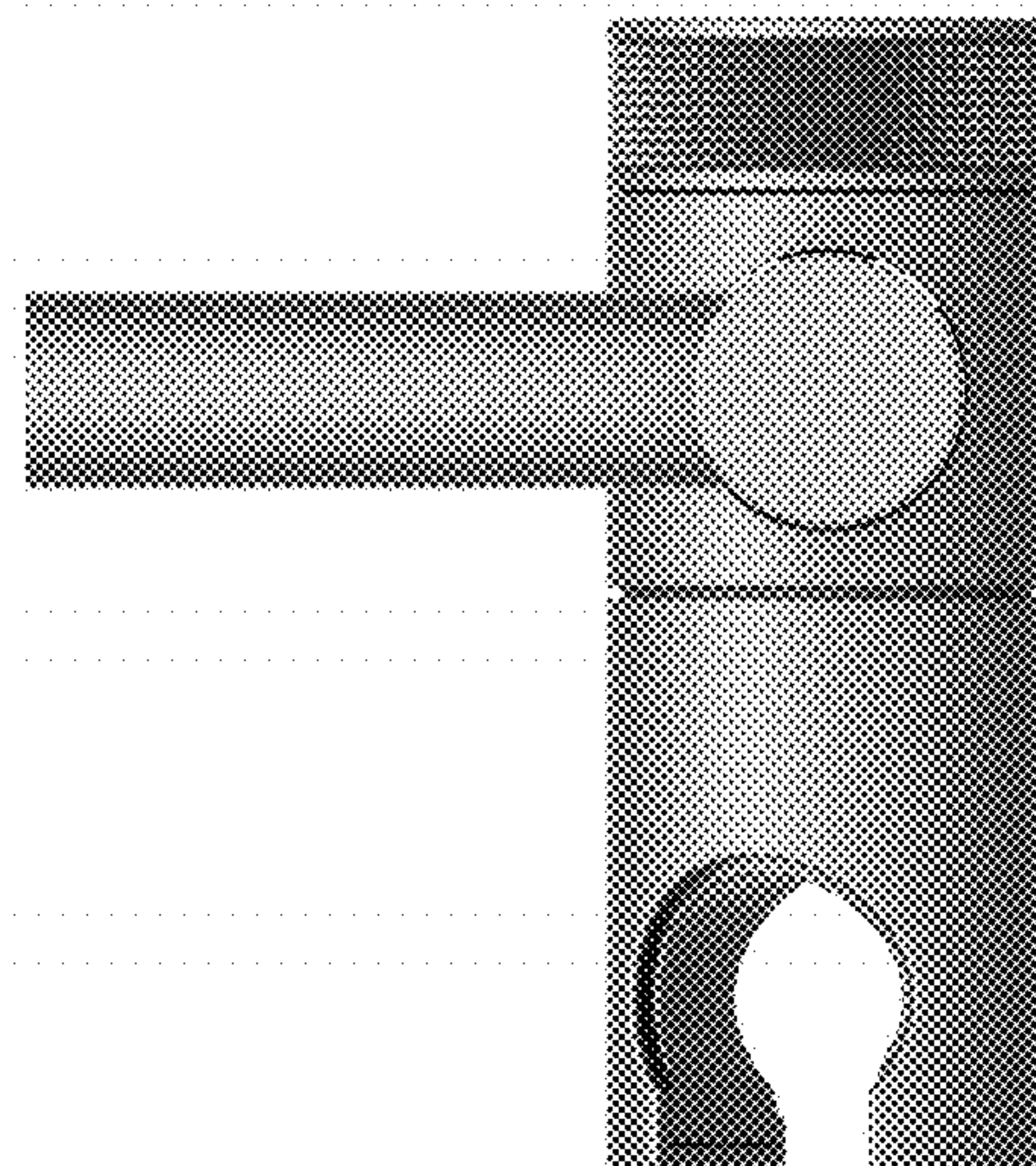


Fig. 7