



US00D936790S

(12) **United States Design Patent**  
**Stoler et al.**

(10) **Patent No.: US D936,790 S**

(45) **Date of Patent: \*\* Nov. 23, 2021**

(54) **FAUCET SPRAYHEAD**

(71) Applicant: **DELTA FAUCET COMPANY,**  
Indianapolis, IN (US)

(72) Inventors: **Benjamin David Stoler,** Carmel, IN  
(US); **Jordan Bahler,** Frankfort, IN  
(US)

(73) Assignee: **DELTA FAUCET COMPANY,**  
Indianapolis, IN (US)

(\*\*) Term: **15 Years**

(21) Appl. No.: **29/723,398**

(22) Filed: **Feb. 6, 2020**

(51) **LOC (13) Cl. .... 23-01**

(52) **U.S. Cl.**  
USPC ..... **D23/226**

(58) **Field of Classification Search**  
USPC ..... D23/213, 223, 226, 228, 229, 230, 238,  
D23/239, 240, 241, 249  
CPC ..... B05B 1/16; B05B 1/1618; B05B 1/18;  
B05B 1/185; E03C 1/0405; E03C 1/06;  
E03C 1/063; E03C 1/066; E03C 1/084;  
E03C 2001/0415

See application file for complete search history.

(56) **References Cited**

**U.S. PATENT DOCUMENTS**

D522,614 S \* 6/2006 Ko ..... D23/213  
D842,429 S \* 3/2019 Huang ..... D23/213  
D842,430 S \* 3/2019 Huang ..... D23/213  
10,245,606 B2 \* 4/2019 Chiu ..... E03C 1/0404  
D869,610 S \* 12/2019 Garland ..... D23/238  
D870,235 S \* 12/2019 Tentler ..... D23/213  
D872,234 S \* 1/2020 Stoler ..... D23/238  
D873,960 S \* 1/2020 Fritz ..... D23/238  
D921,160 S \* 6/2021 Liu ..... D23/238

D921,843 S \* 6/2021 Eads ..... D23/238  
D923,147 S \* 6/2021 Zhen ..... D23/238  
2013/0193237 A1 \* 8/2013 Erickson ..... B05B 1/14  
239/548  
2014/0263756 A1 \* 9/2014 Meehan ..... B05B 1/1627  
239/446  
2015/0184366 A1 \* 7/2015 Zhang ..... B05B 1/1618  
4/678

**OTHER PUBLICATIONS**

SHACO Antique Single Handle Sprayer, Jul. 10, 2018, Amazon,  
site visited Mar. 24, 2021: <https://www.amazon.com/dp/B07CJZXC59/> (Year: 2018).  
Kraus KPF-1612, Aug. 7, 2008, Amazon, site visited Mar. 24, 2021:  
<https://www.amazon.com/dp/B0032IPJ0I/> (Year: 2008).\*

\* cited by examiner

*Primary Examiner* — Jack Reickel  
*Assistant Examiner* — Bobby W Jones, II  
(74) *Attorney, Agent, or Firm* — Nirav D. Parikh; Edgar  
A. Zarins

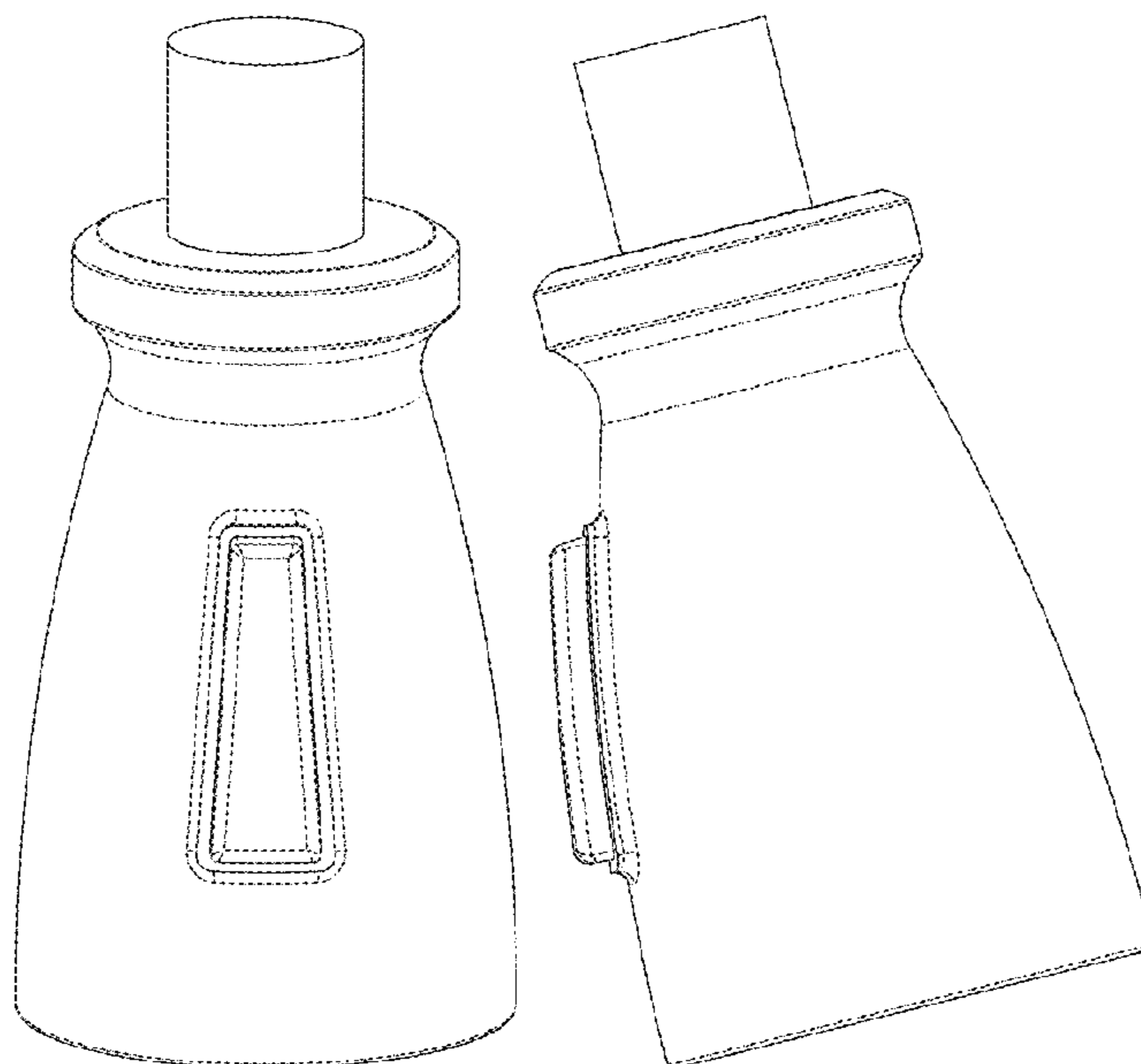
(57) **CLAIM**

The ornamental design for a faucet sprayhead, as shown and  
described.

**DESCRIPTION**

FIG. 1 is a front perspective view of a faucet sprayhead  
showing my new design;  
FIG. 2 is a rear perspective view thereof;  
FIG. 3 is another front perspective view thereof;  
FIG. 4 is a left side view thereof;  
FIG. 5 is another rear perspective view thereof;  
FIG. 6 is a right side view thereof;  
FIG. 7 is a top perspective view thereof; and,  
FIG. 8 is a bottom perspective view thereof.

**1 Claim, 4 Drawing Sheets**



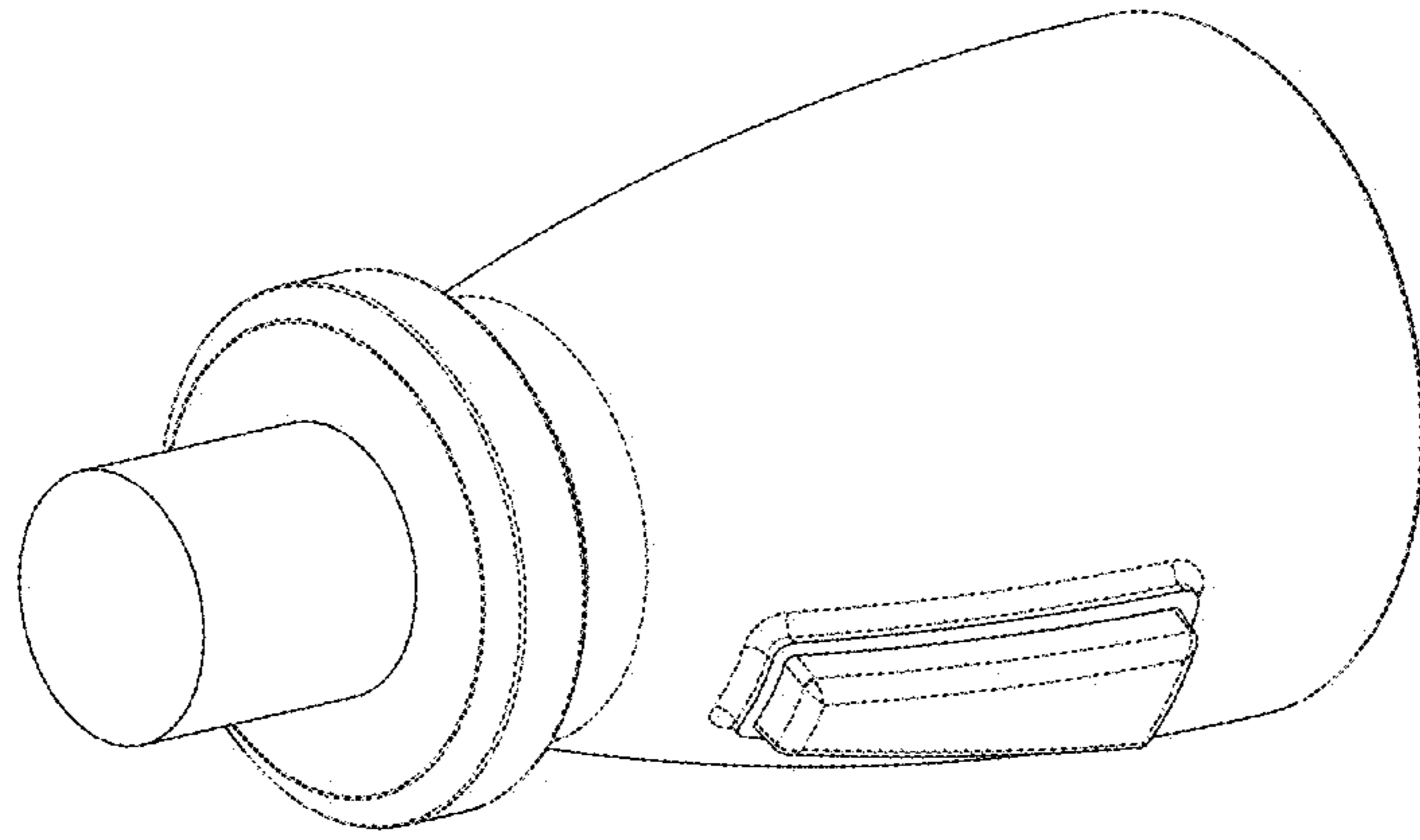


FIG - 2

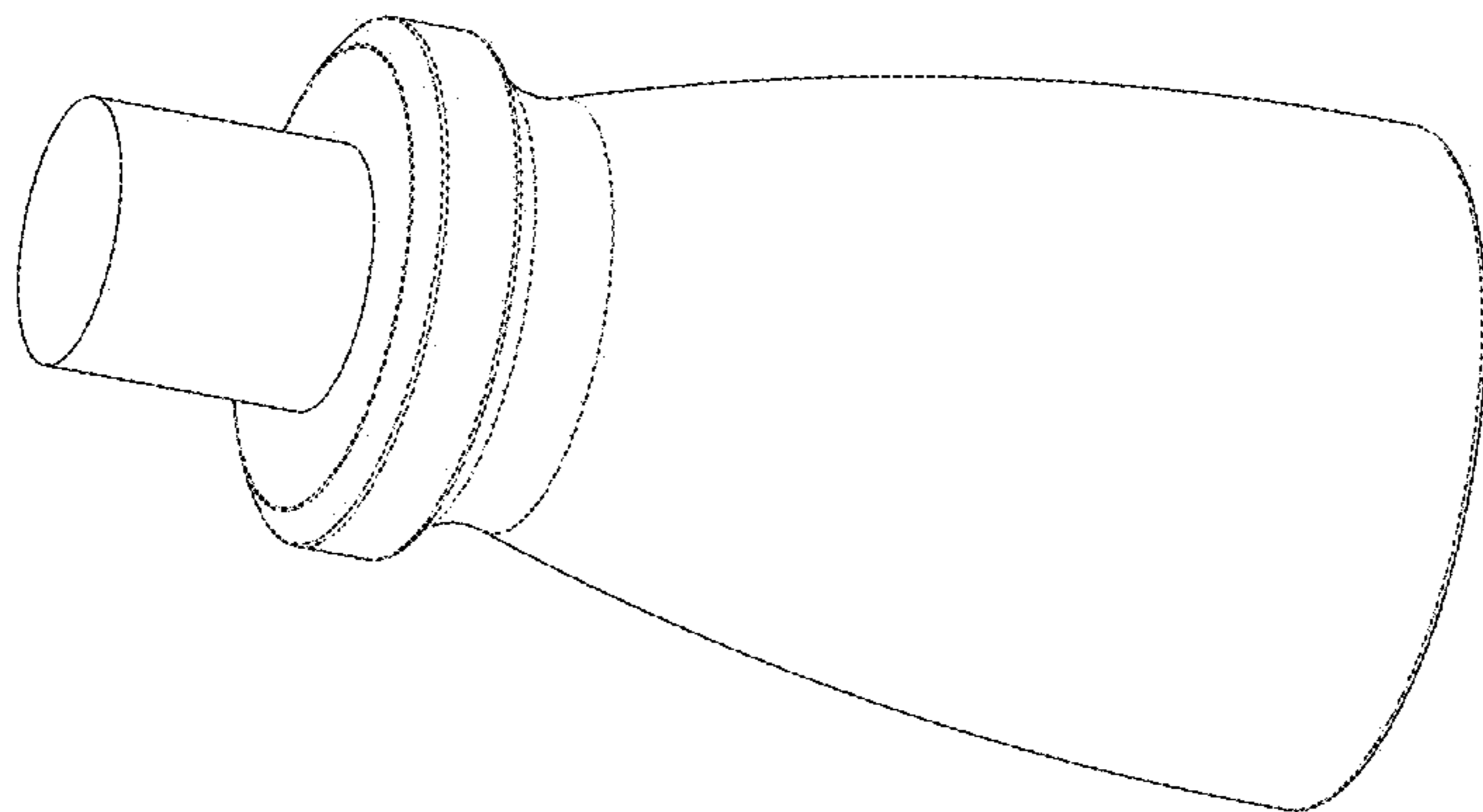


FIG - 1

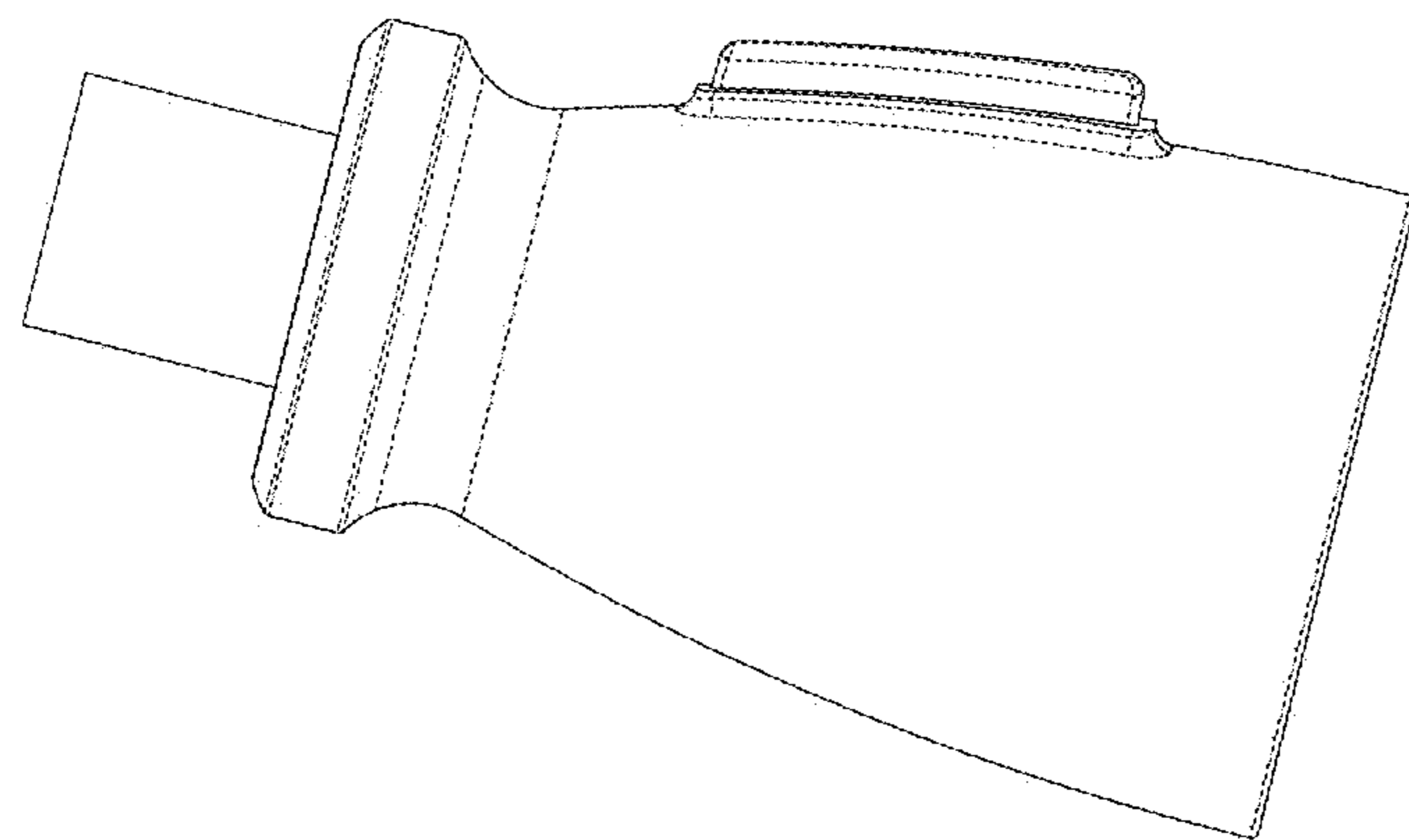


FIG - 4

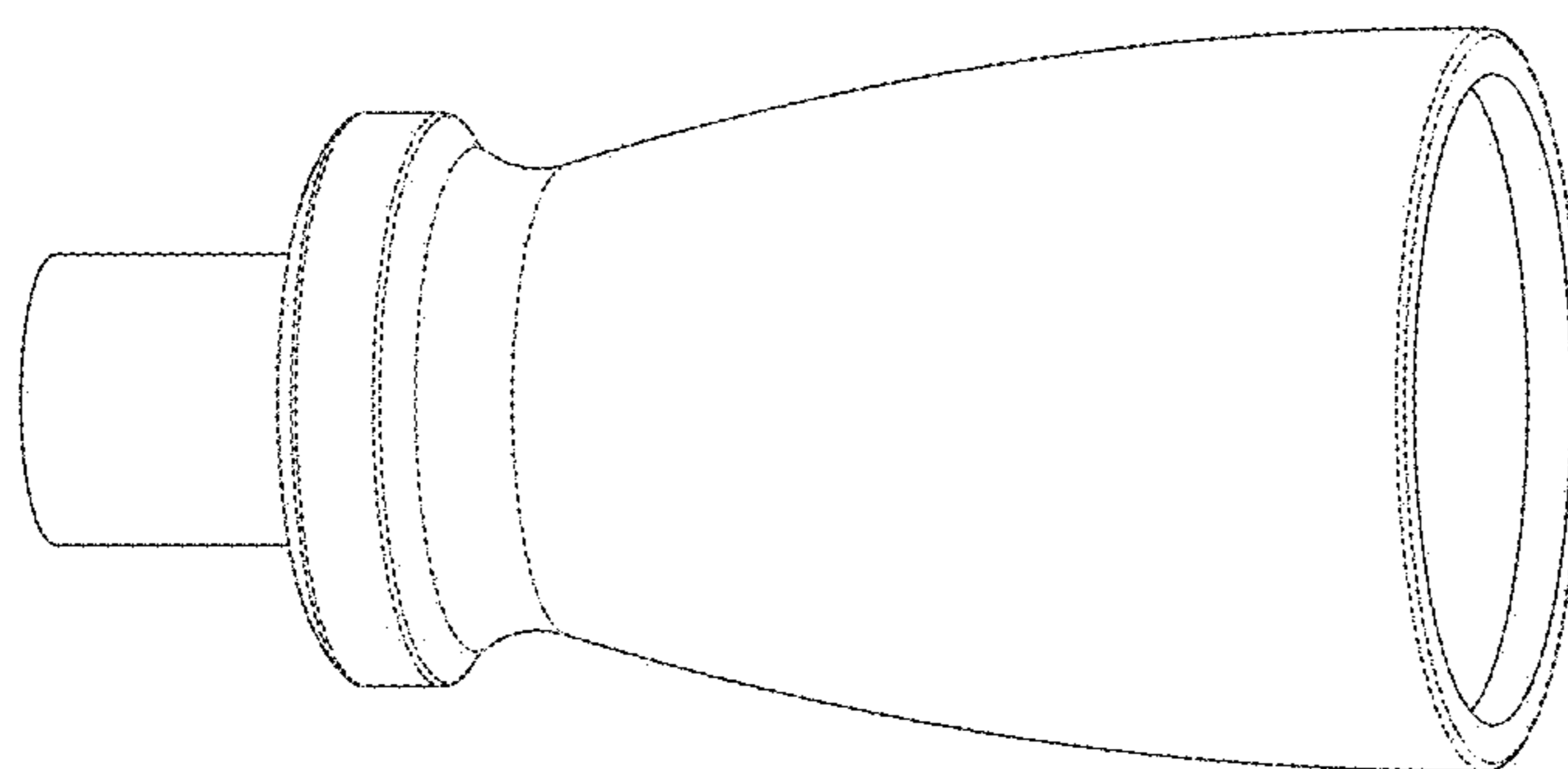


FIG - 3

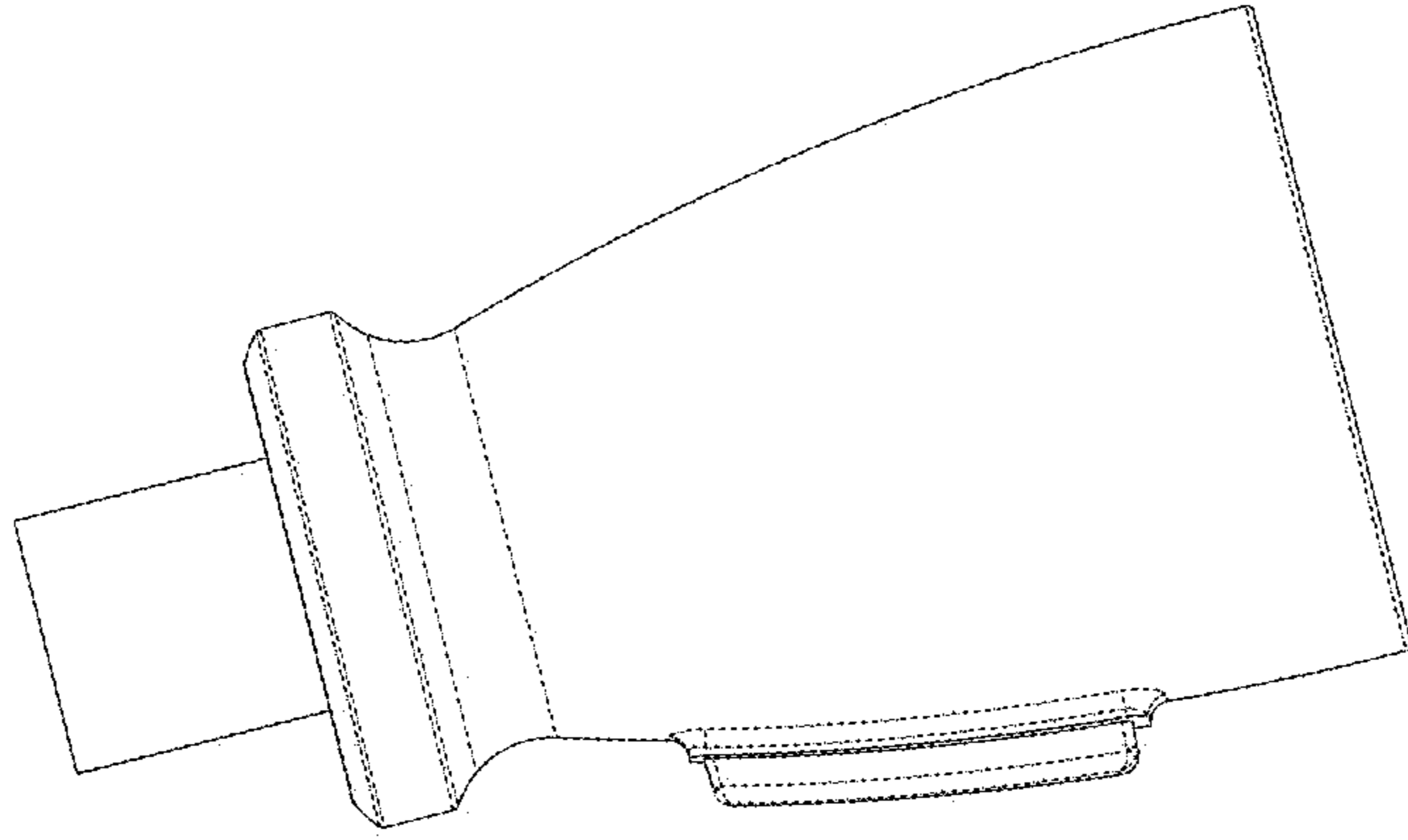


FIG - 6

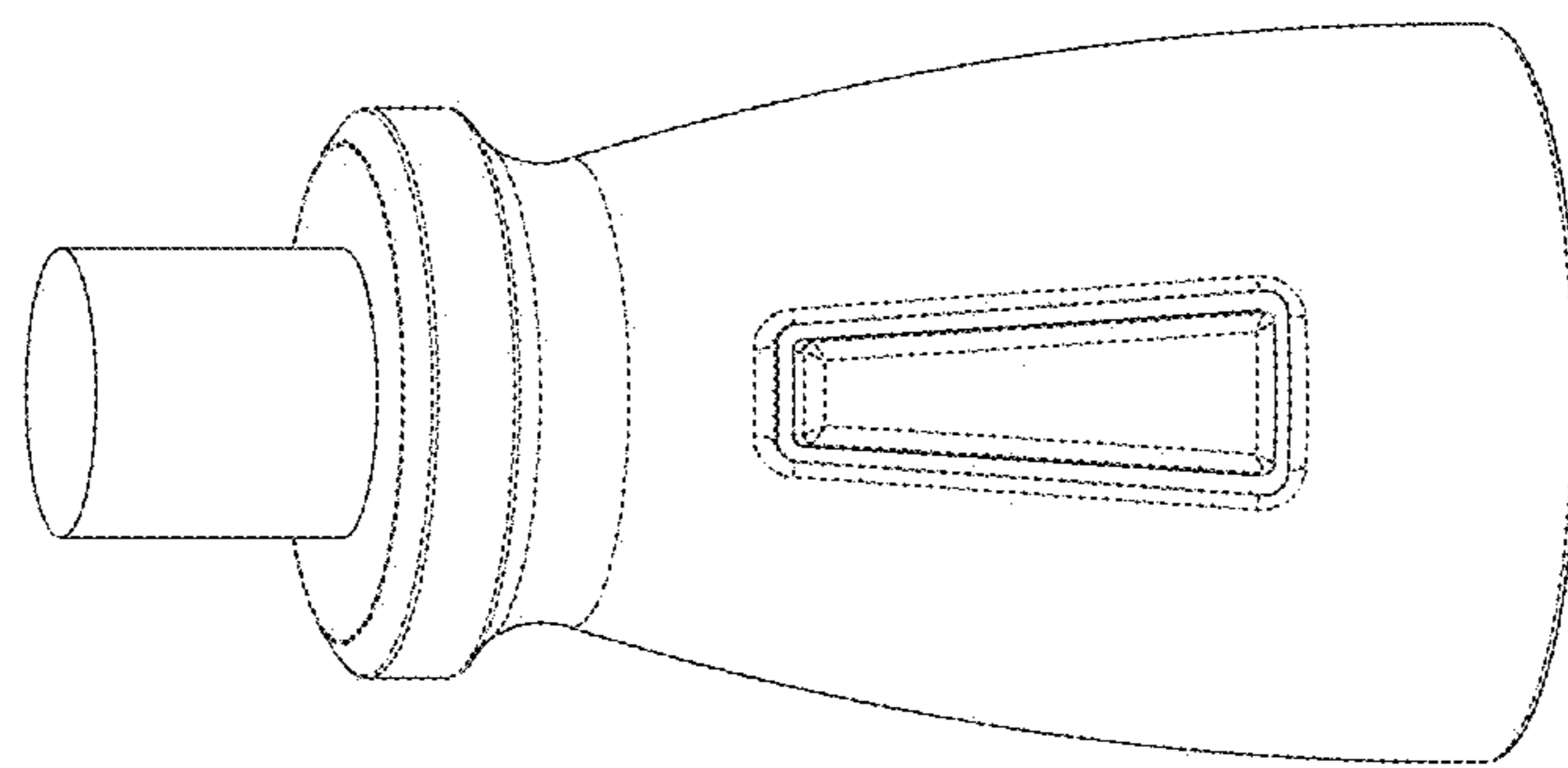


FIG - 5

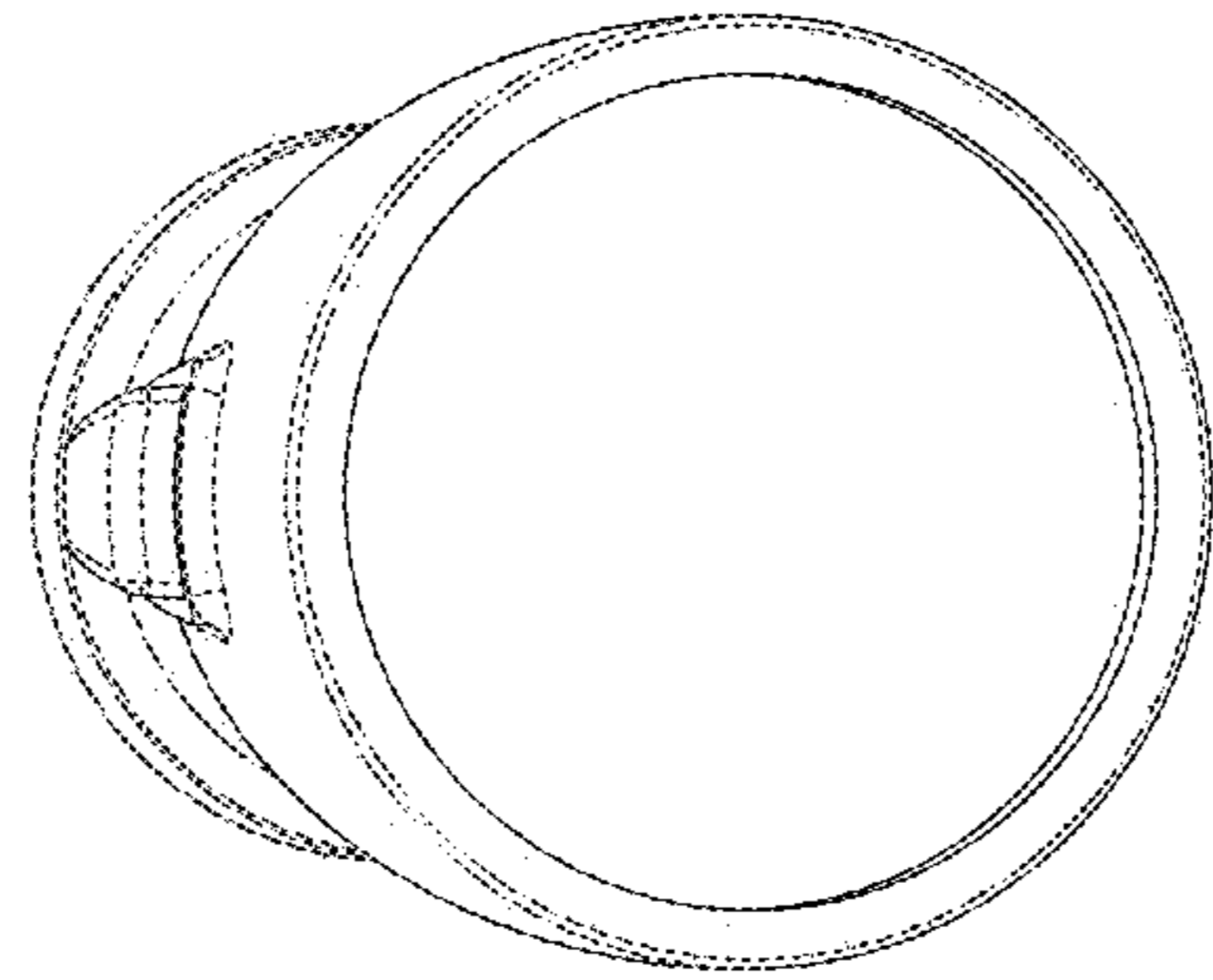


FIG - 8

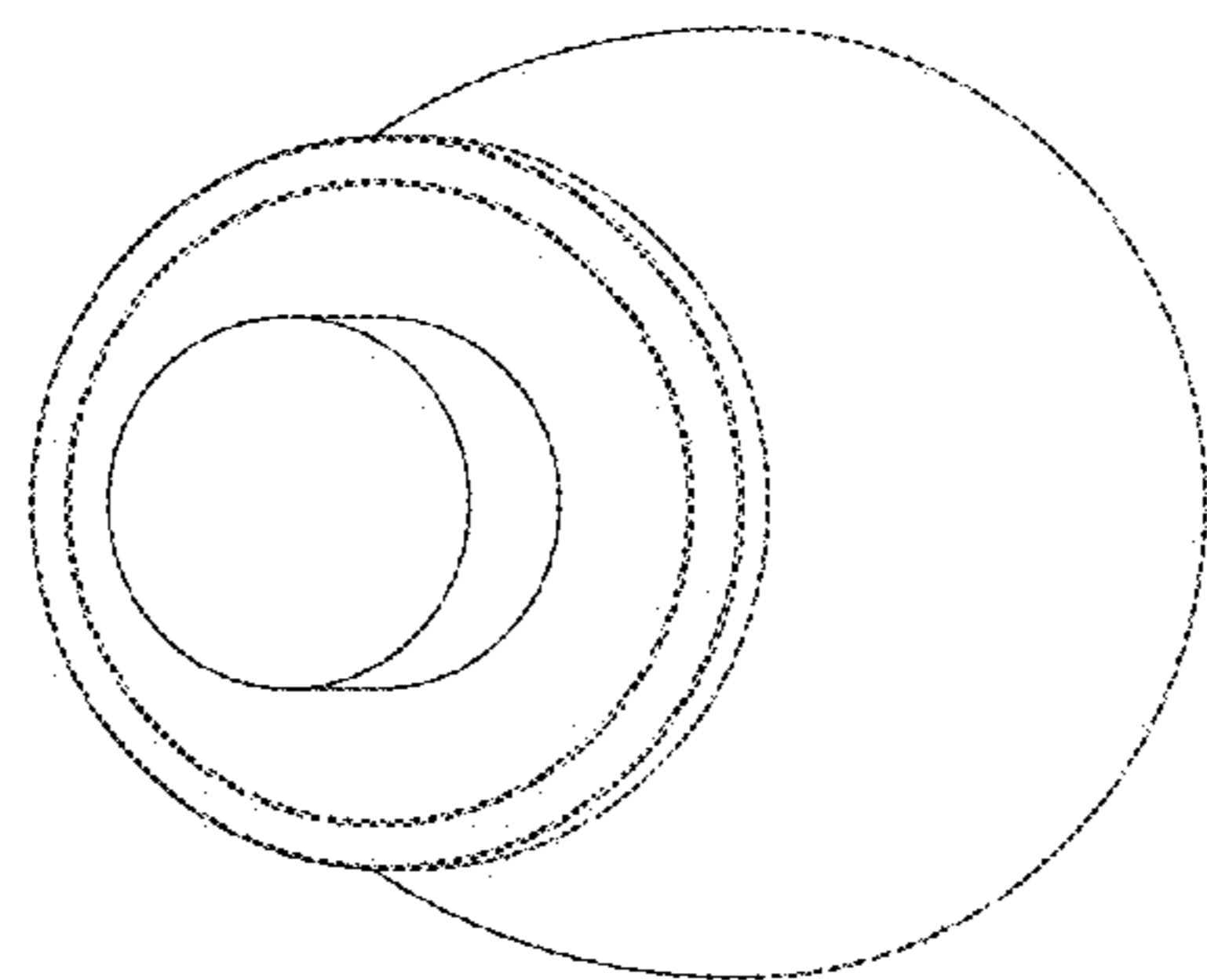


FIG - 7