



US00D936789S

(12) **United States Design Patent**
Wu

(10) **Patent No.:** **US D936,789 S**

(45) **Date of Patent:** **** Nov. 23, 2021**

(54) **SPREADER**

(71) Applicant: **SK & Y AGRICULTURAL EQUIPMENTS CO., LTD.**, Fu Hsing Township, Changhua County (TW)

(72) Inventor: **Jui-Chang Wu**, Fu Hsing Township, Changhua County (TW)

(73) Assignee: **SK & Y AGRICULTURAL EQUIPMENTS CO., LTD.**, Changhua County (TW)

(**) Term: **15 Years**

(21) Appl. No.: **29/721,250**

(22) Filed: **Jan. 19, 2020**

(30) **Foreign Application Priority Data**

Jan. 31, 2019 (TW) 108300702

(51) **LOC (13) Cl.** **23-01**

(52) **U.S. Cl.**
USPC **D23/225**

(58) **Field of Classification Search**
USPC D23/207, 213, 214, 215, 223, 224, 225,
D23/226, 229, 230

CPC A61H 9/0021; A61H 33/00; B05B 1/00;
B05B 1/14; B05B 1/185; B05B 1/08;
B05B 1/02; B05B 1/26; B05B 12/002;
B05B 1/18; B05B 9/01

See application file for complete search history.

(56) **References Cited**

U.S. PATENT DOCUMENTS

- 6,089,477 A * 7/2000 Dillon A01C 15/02
239/153
- 6,729,558 B1 * 5/2004 Seenauth B05B 7/1422
239/152
- 10,743,459 B2 * 8/2020 Rosenbaum A01C 17/001
- D902,349 S * 11/2020 Gutekunst D23/225

- 10,830,361 B1 * 11/2020 Wu A45F 3/14
- 10,981,697 B1 * 4/2021 Jaffa B65D 21/0231
- 2010/0230515 A1 * 9/2010 Wu A01M 7/00
239/373
- 2010/0327087 A1 * 12/2010 Harris A01C 15/02
239/653
- 2019/0200513 A1 * 7/2019 Wu A01C 17/008
- 2020/0276595 A1 * 9/2020 Comstock B05B 12/002

(Continued)

FOREIGN PATENT DOCUMENTS

EP 3714988 A1 * 9/2020 B05B 12/1409

OTHER PUBLICATIONS

Hudson 13194 Commercial Bak-Pak Sprayer Jun. 4, 2017, Amazon.com Mar. 27, 2021: URL: <https://www.amazon.com/dp/B000NONM6W/> (Year: 2017).*

(Continued)

Primary Examiner — Jack Reickel
Assistant Examiner — Keith J Wilson

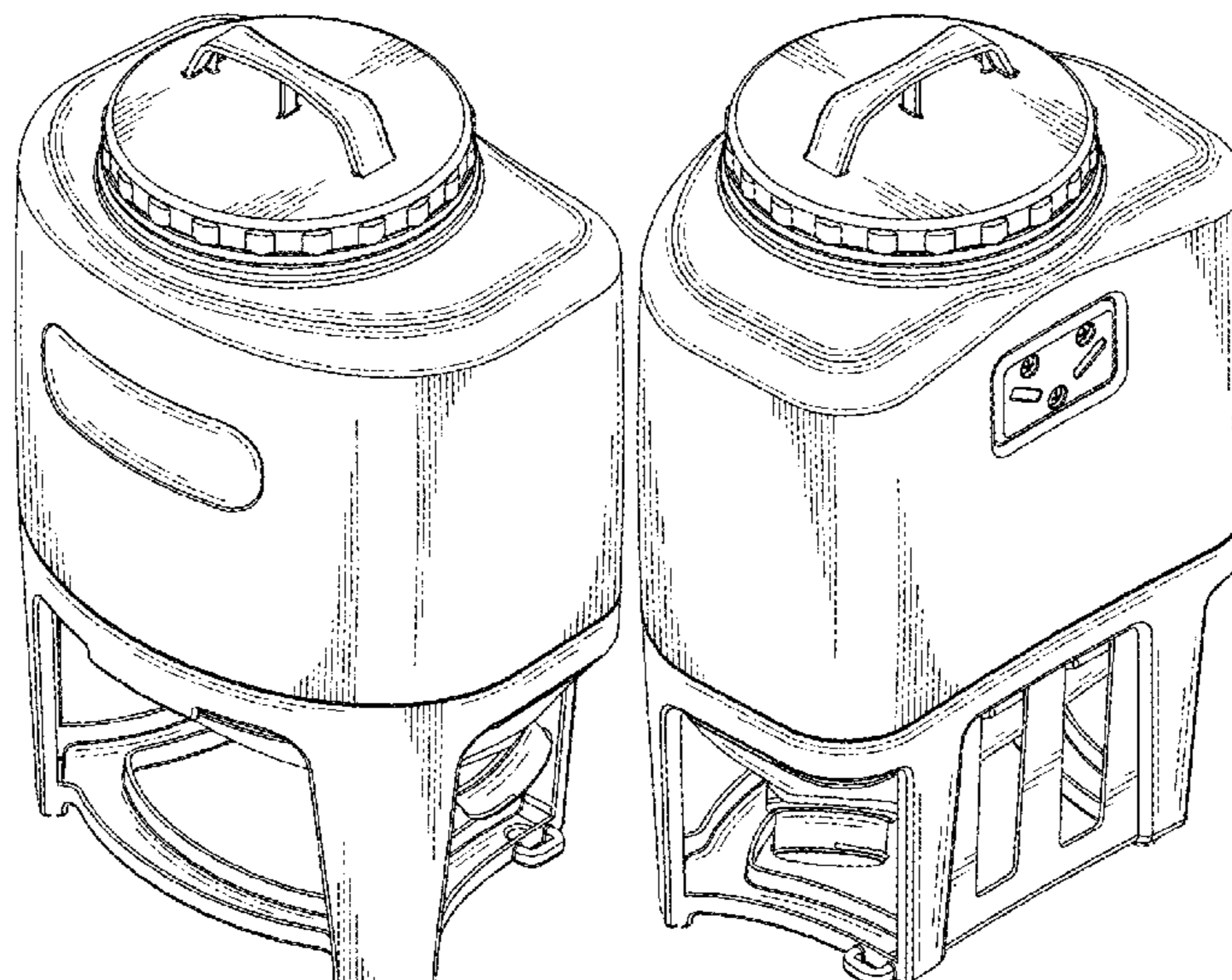
(57) **CLAIM**

The ornamental design for a spreader, as shown and described.

DESCRIPTION

FIG. 1 is a perspective view of a spreader showing my new design;
FIG. 2 is a front elevational view thereof;
FIG. 3 is a rear elevational view thereof;
FIG. 4 is a left side elevational view thereof;
FIG. 5 is a right side elevational view thereof;
FIG. 6 is a top plan view thereof;
FIG. 7 is a bottom plan view thereof; and,
FIG. 8 is another perspective schematic view of a spreader showing my design.
The broke lines shown represent portions of a spreader and form no part of the claimed design.

1 Claim, 6 Drawing Sheets



(56)

References Cited

U.S. PATENT DOCUMENTS

2020/0290073 A1* 9/2020 Fontaine F04B 17/06
2020/0331017 A1* 10/2020 Lee F04D 13/068
2020/0386143 A1* 12/2020 Huffman F04B 39/04

OTHER PUBLICATIONS

Solo, Inc. Solo 421 20-Pound Capacity Portable Chest-mount Spreader, Oct. 15, 2014, Amazon.com, Jul. 8, 2021.URL: <https://www.amazon.com/Solo-20-Pound-Chest-mount-Comfortable-Cross-shoulder/dp/B000BWZD00> (Year: 2014).*

PetraTools Battery Backpack Sprayer with Custom Fitted Cart, Apr. 20, 2020, Amazon.com, Jul. 8, 2021.URL: <https://www.amazon.com/dp/B086WPRPKX> (Year: 2020).*

Husqvarna 4 Gallon Backpack Sprayers, White, Feb. 21, 2019, Amazon.com, Jul. 8, 2021.URL: <https://www.amazon.com/dp/B07P11RRXQ> (Year: 2019).*

HUDSON 19001 4 Gallon NeverPump Bak-Pak Sprayer, Yellow, Jun. 27, 2020, Amazon.com, Jul. 8, 2021.URL: <https://www.amazon.com/HUDSON-19001-NeverPump-Bak-Pak-Sprayer/dp/B084DWQTW6/> (Year: 2020).*

* cited by examiner

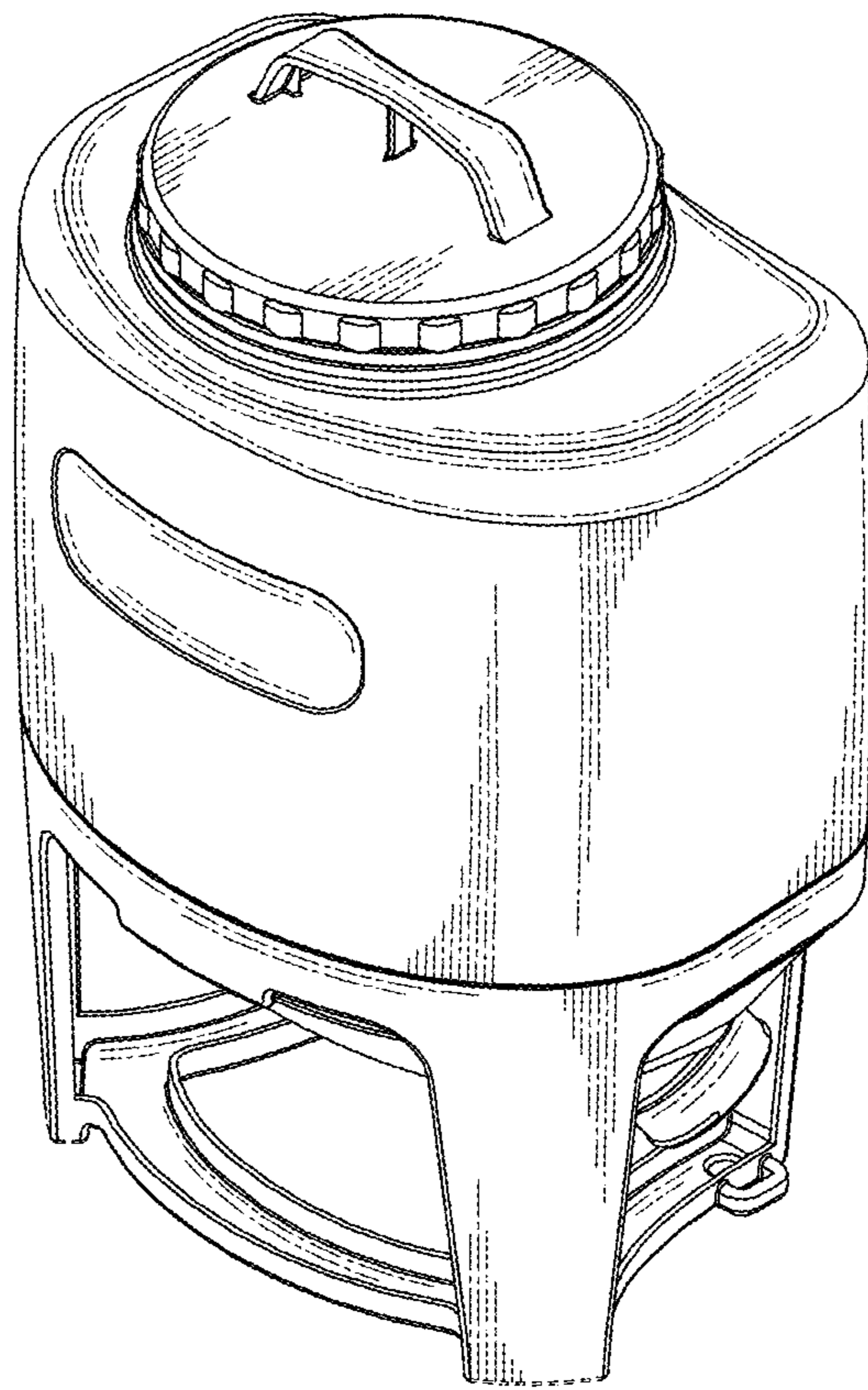


FIG.1

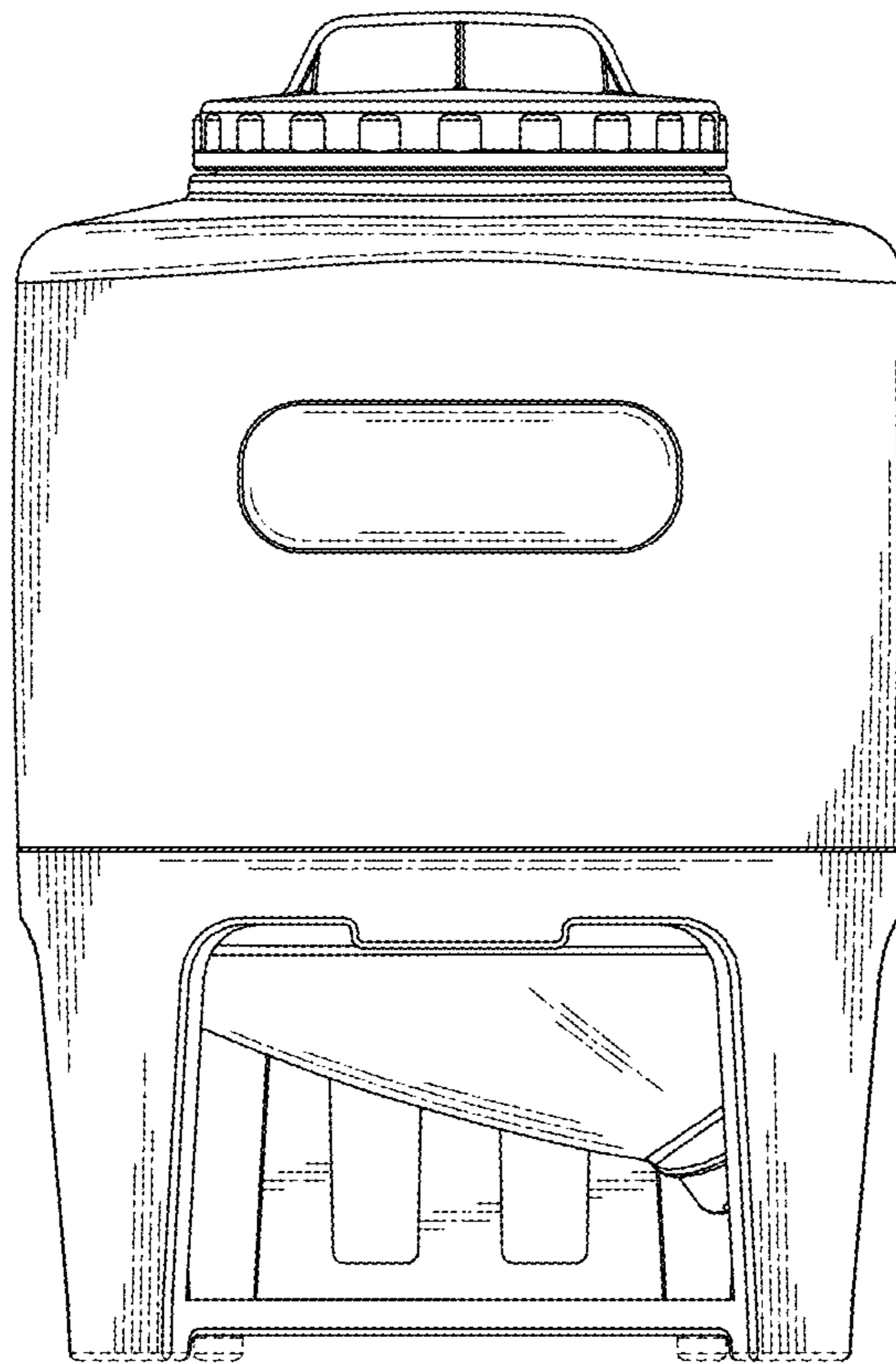


FIG.2

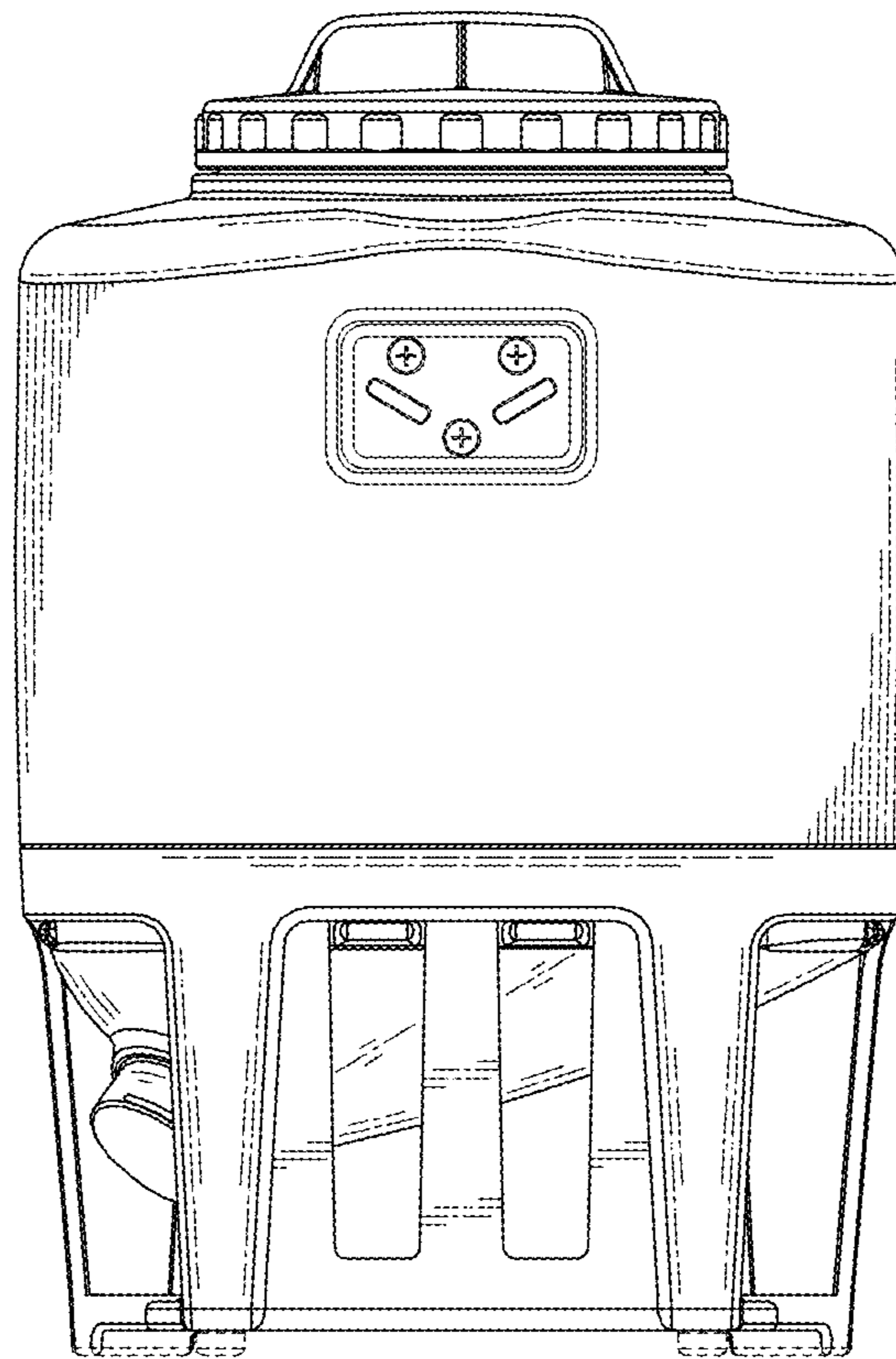


FIG.3

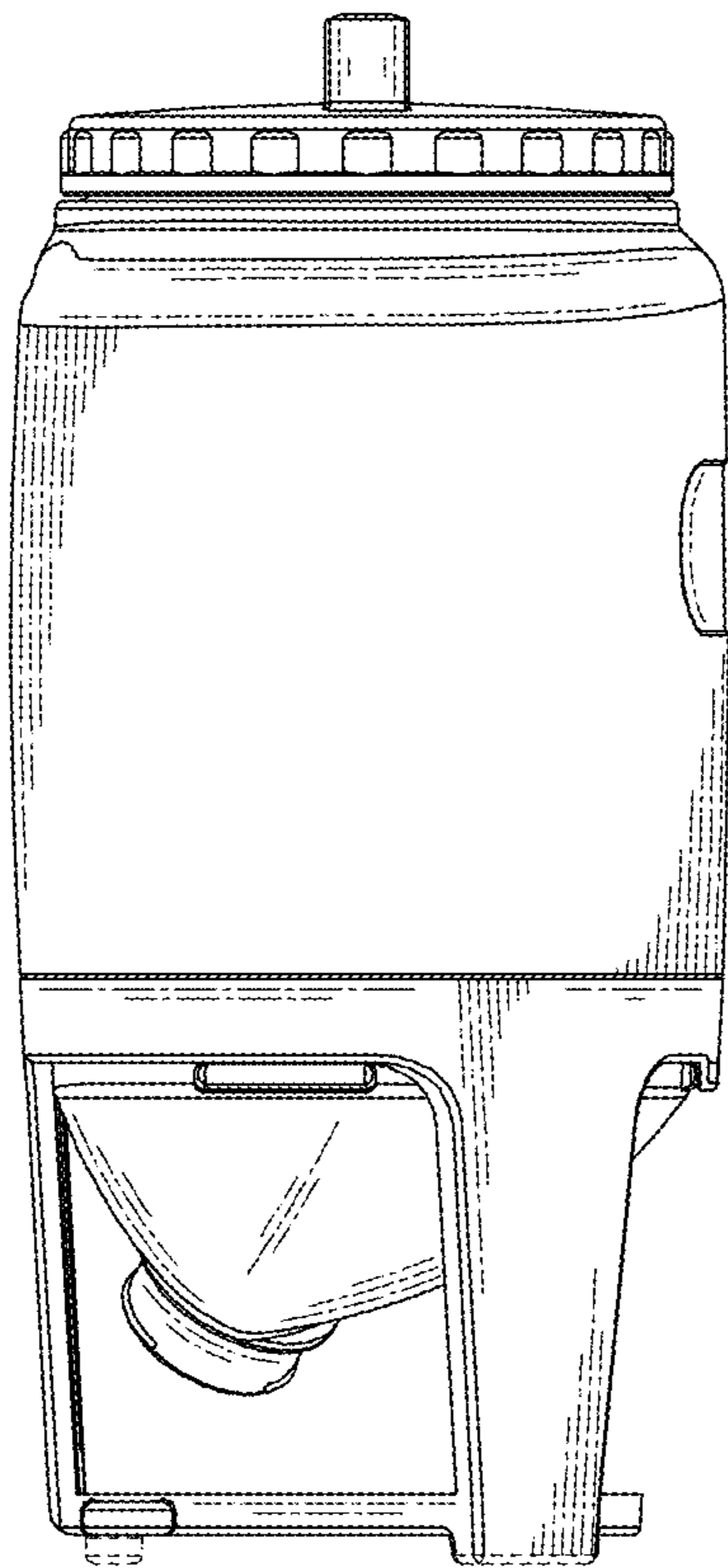


FIG.4

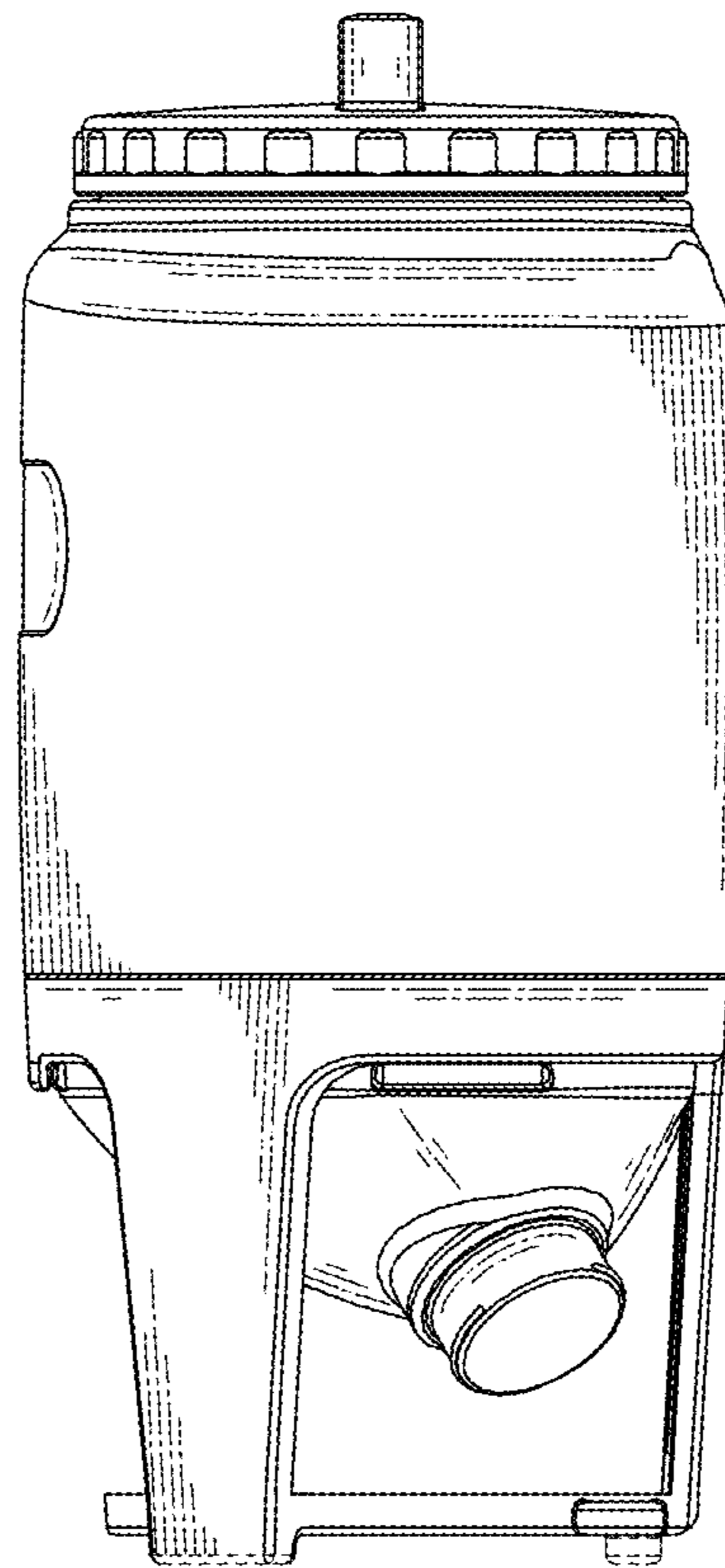


FIG.5

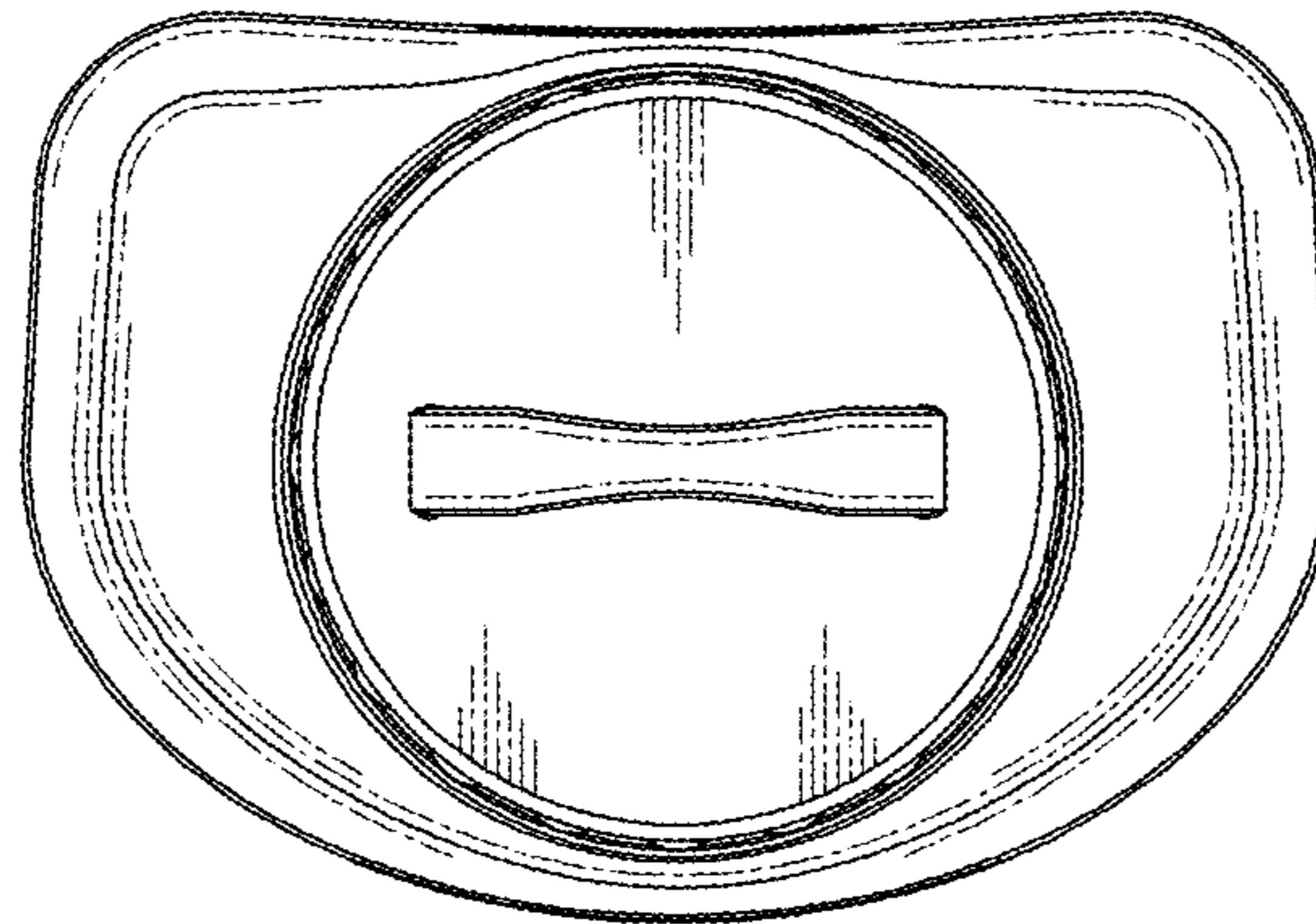


FIG. 6

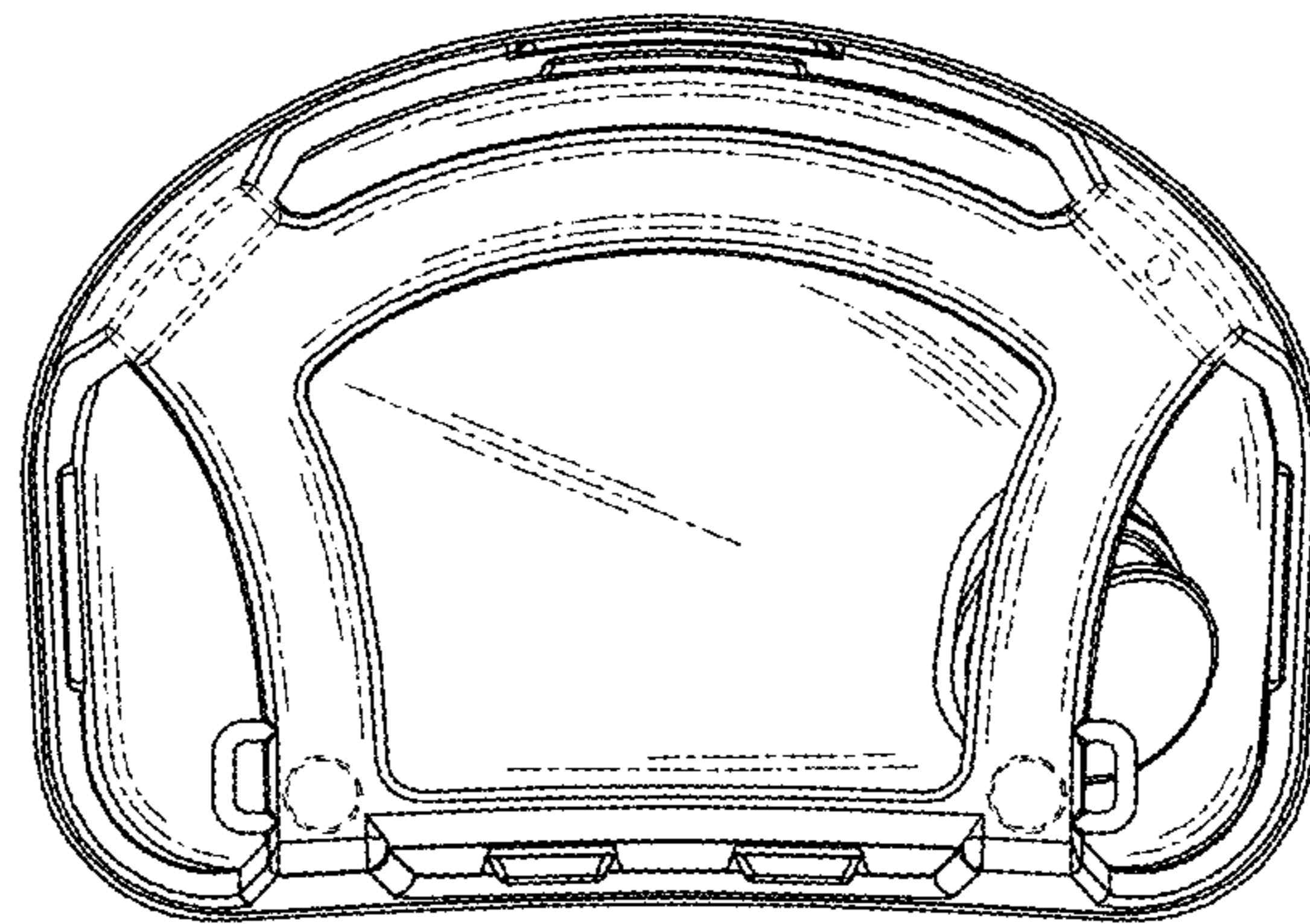


FIG. 7

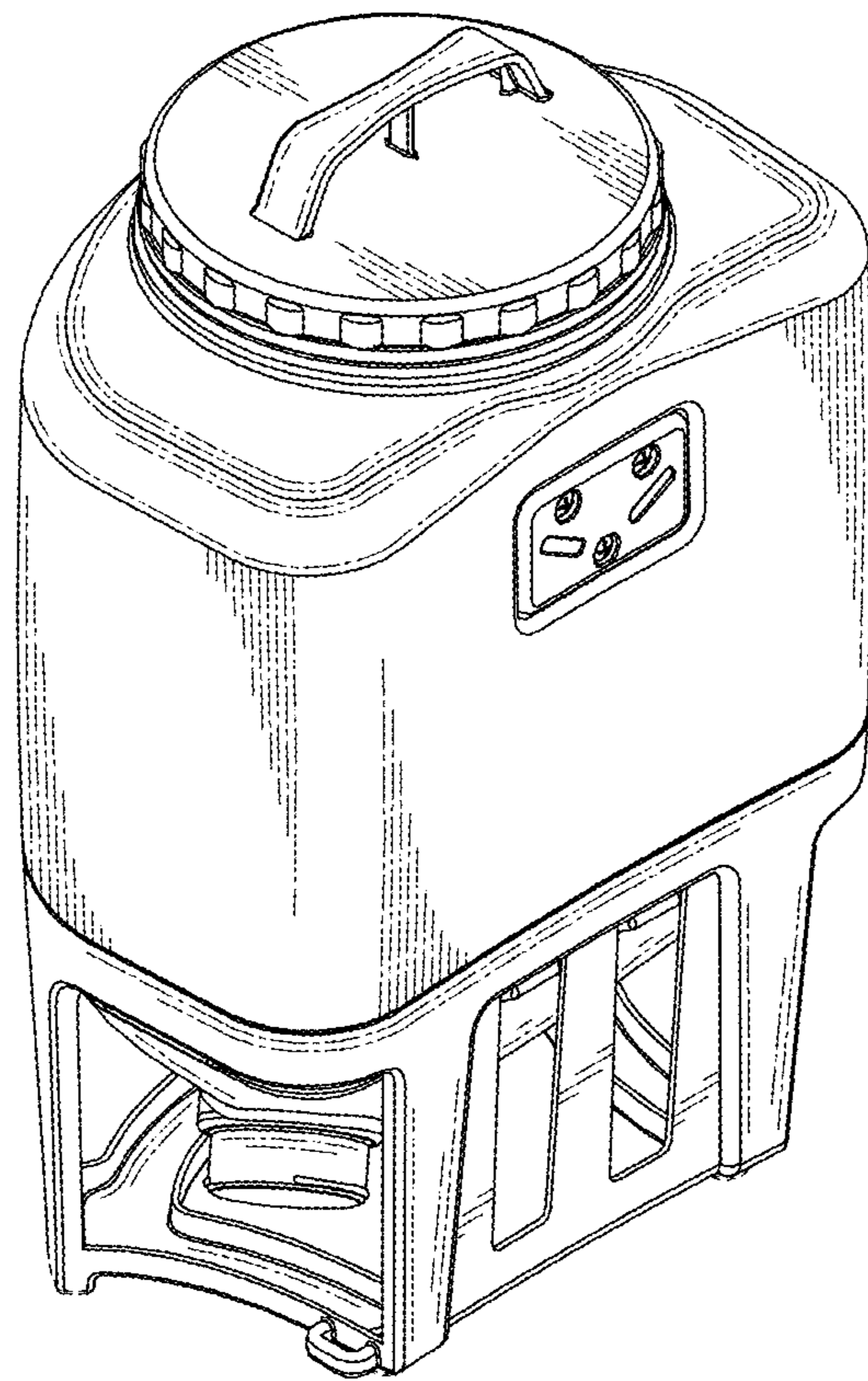


FIG.8