



US00D936788S

(12) **United States Design Patent** (10) **Patent No.:** **US D936,788 S**  
**Lei** (45) **Date of Patent:** **\*\* Nov. 23, 2021**

(54) **WATER SPRINKLER PAD** D896,928 S \* 9/2020 Day ..... D23/261  
D900,267 S \* 10/2020 Zhang ..... E04H 4/0025  
(71) Applicant: **Shengli Lei**, Sichuan (CN) D21/815  
D919,731 S \* 5/2021 Han ..... D21/816  
(72) Inventor: **Shengli Lei**, Sichuan (CN) D928,286 S \* 8/2021 Huang ..... D23/214  
D929,528 S \* 8/2021 Huang ..... D21/815  
(\*\*) Term: **15 Years** 2007/0041179 A1\* 2/2007 Barthelmess ..... A41G 1/007  
362/123  
(21) Appl. No.: **29/735,421** 2010/0034992 A1\* 2/2010 Kaluzny ..... A41G 1/007  
428/18  
(22) Filed: **May 21, 2020** 2015/0020449 A1\* 1/2015 Suchecki ..... A47G 7/041  
47/65.7

(Continued)

(30) **Foreign Application Priority Data**

Dec. 24, 2019 (CN) ..... 201930724613.3

(51) **LOC (13) Cl.** ..... **23-01**

(52) **U.S. Cl.**  
USPC ..... **D23/214**

(58) **Field of Classification Search**  
USPC ..... D23/213, 214, 215, 222, 223, 224, 226,  
D23/229, 230  
CPC ..... A61H 9/0021; A61H 33/00; B05B 1/00;  
B05B 1/14; B05B 1/185; B05B 1/08;  
B05B 1/02; B05B 1/26; B05B 12/002;  
B05B 1/18; B05B 9/01  
See application file for complete search history.

(56) **References Cited**

**U.S. PATENT DOCUMENTS**

D314,034 S \* 1/1991 Young ..... D21/816  
4,982,959 A \* 1/1991 Rudell ..... A63F 9/00  
239/211  
D330,139 S \* 10/1992 Bloom ..... 5/655  
D381,057 S \* 7/1997 Strawcutter ..... D21/814  
5,672,123 A \* 9/1997 Rudell ..... A63B 5/22  
239/273  
D626,883 S \* 11/2010 Rosario ..... D11/118  
D825,452 S \* 8/2018 Catania ..... D13/102  
D858,858 S \* 9/2019 Lian ..... D26/101  
D876,275 S \* 2/2020 Huang ..... D11/118  
D879,506 S \* 3/2020 King ..... D6/592  
10,610,794 B1 \* 4/2020 Ruggiero ..... A63G 31/12

**OTHER PUBLICATIONS**

ELCOHO 8 Pack Inflatable Palm Trees , Jul. 1, 2018, Amazon.co.uk., Sep. 9, 2021.URL: <https://www.amazon.co.uk/dp/B07F66NQ7H> (Year: 2018).\*

(Continued)

*Primary Examiner* — Jack Reickel  
*Assistant Examiner* — Keith J Wilson

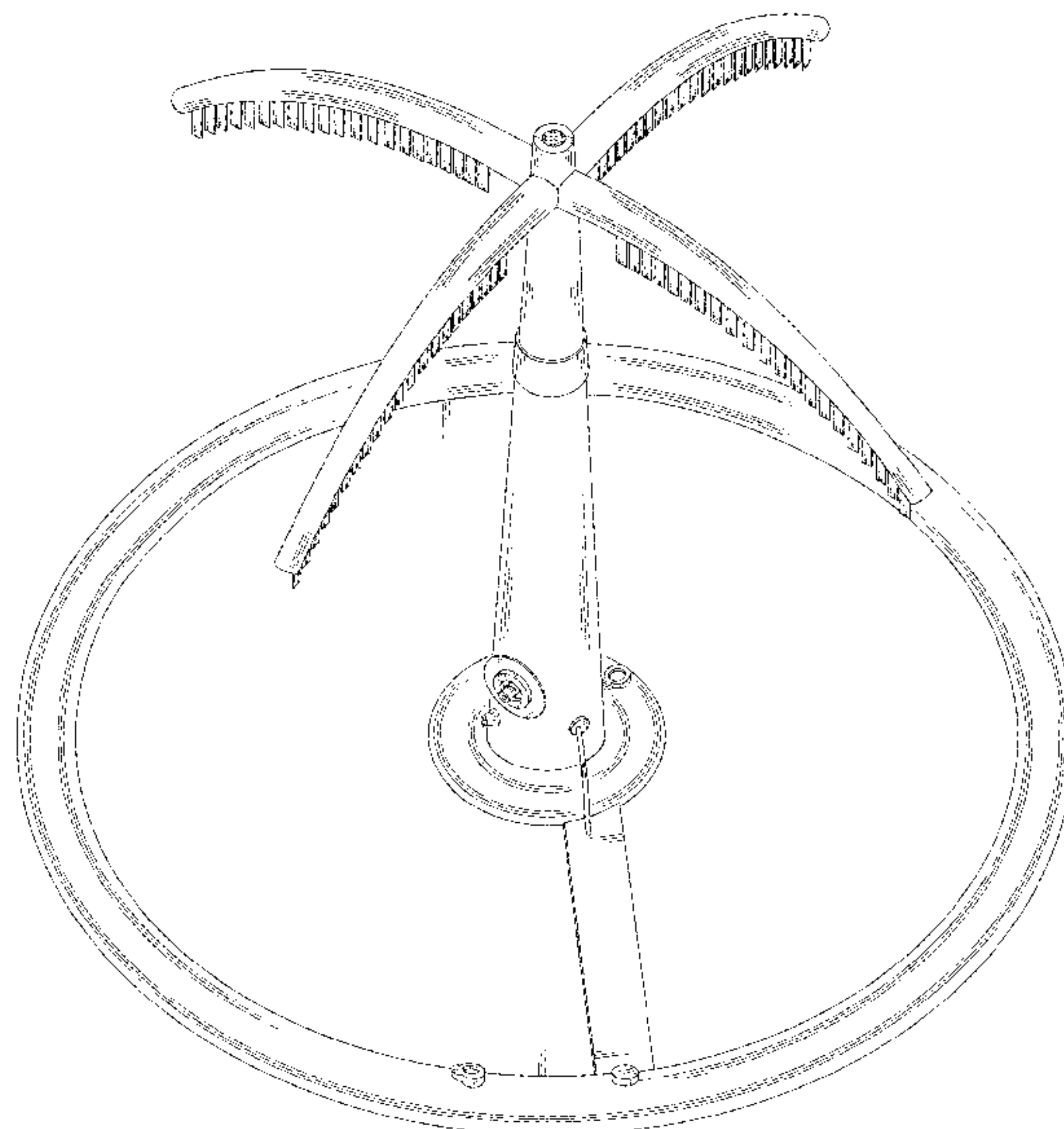
(57) **CLAIM**

The ornamental design for a water sprinkler pad, as shown and described.

**DESCRIPTION**

FIG. 1 is a perspective view of a water sprinkler pad showing my new design;  
FIG. 2 is a front elevational view thereof;  
FIG. 3 is a rear elevational view thereof;  
FIG. 4 is a left side elevational view thereof;  
FIG. 5 is a right side elevational view thereof;  
FIG. 6 is a top plan view thereof; and,  
FIG. 7 is a bottom plan view thereof.  
The broken lines are for the purpose of illustrating portions of the article that form no part of the claimed design.

**1 Claim, 7 Drawing Sheets**



(56)

**References Cited**

U.S. PATENT DOCUMENTS

2019/0293272 A1\* 9/2019 Hoelscher ..... F21V 21/32

OTHER PUBLICATIONS

Widmann S.R.L 2392C Decorative Palm Tree, Jul. 9, 2008, Amazon.co.uk., Sep. 9, 2021.URL: <https://www.amazon.co.uk/WIDMANN-S-R-L-2392C-Decorative-Inflatable/dp/B0042O2AX0> (Year: 2008).\*

MonQi 68 inches Splash Play Mat, Jun. 3, 2019, Amazon.co.uk., Sep. 9, 2021.URL: <https://www.amazon.co.uk/dp/B07SR2GPCY> (Year: 2019).\*

JOYIN Inflatable Palm Tree Sprinkler, 61" Lawn Sprinkler for Kids, Apr. 13, 2020, Amazon.com, Sep. 10, 2021.URL: <https://www.amazon.com/JOYIN-Inflatable-Sprinkler-Outdoor-Party/dp/B083BFM5JQ> (Year: 2020).\*

Palm Tree Sprinkle and Splash Water Play Pad, Inflatable 70" Water Play Spray Mat, Jul. 28, 2021, Amazon.com, Sep. 10, 2021.URL: <https://www.amazon.com/Sprinkle-Inflatable-Outdoor-Backyard-Sprinkler> (Year: 2021).\*

\* cited by examiner

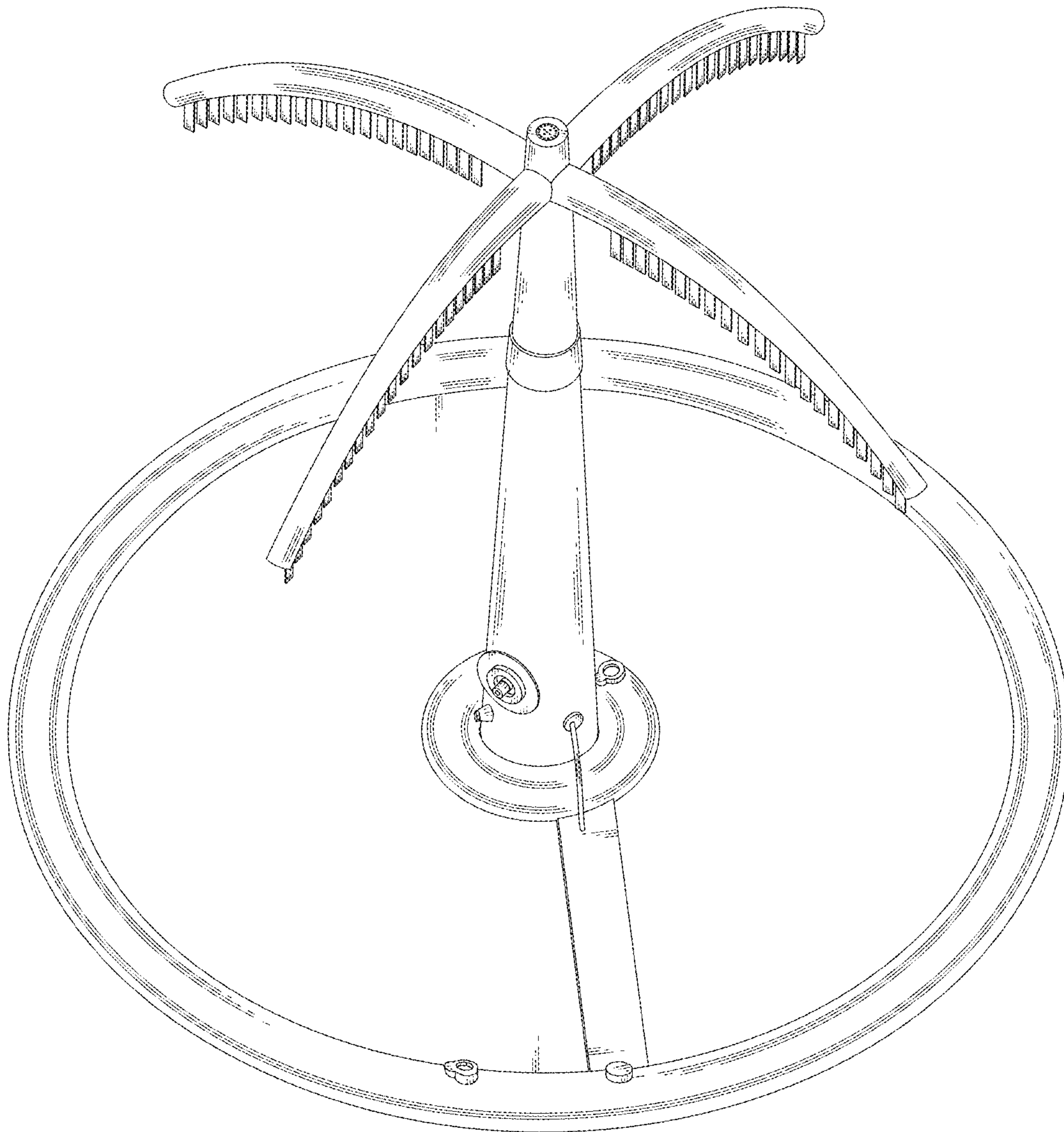


FIG.1

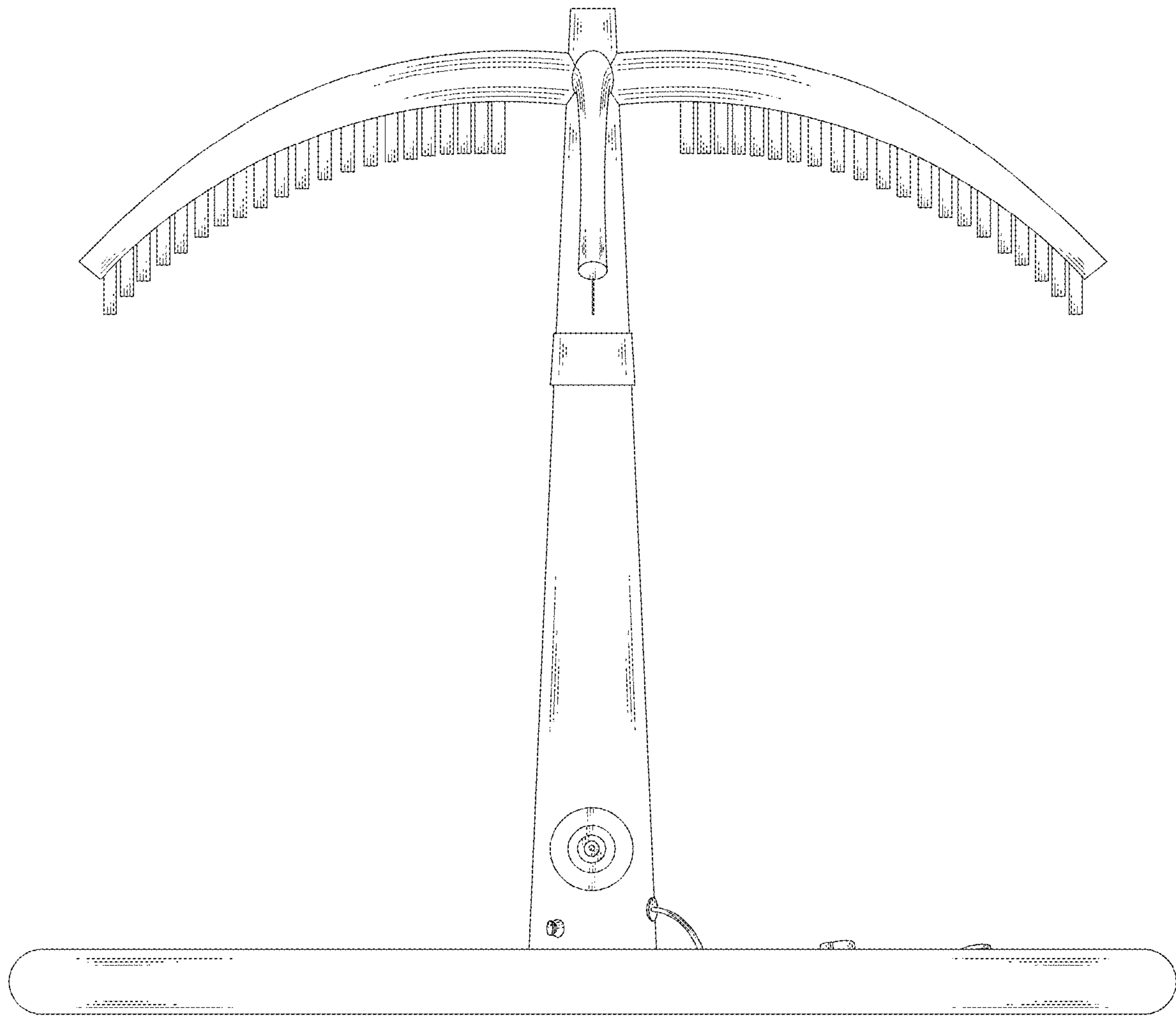


FIG.2

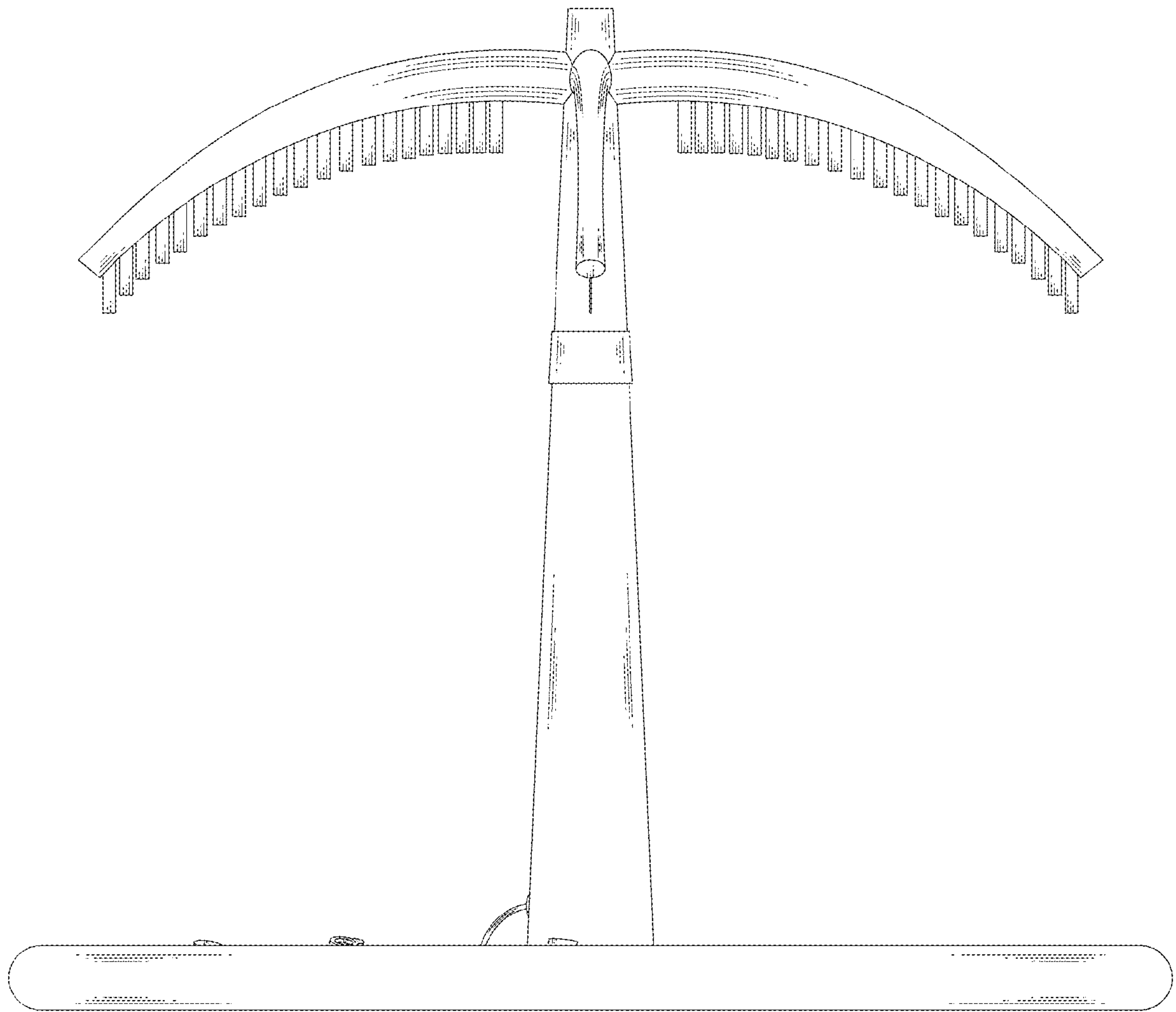


FIG.3



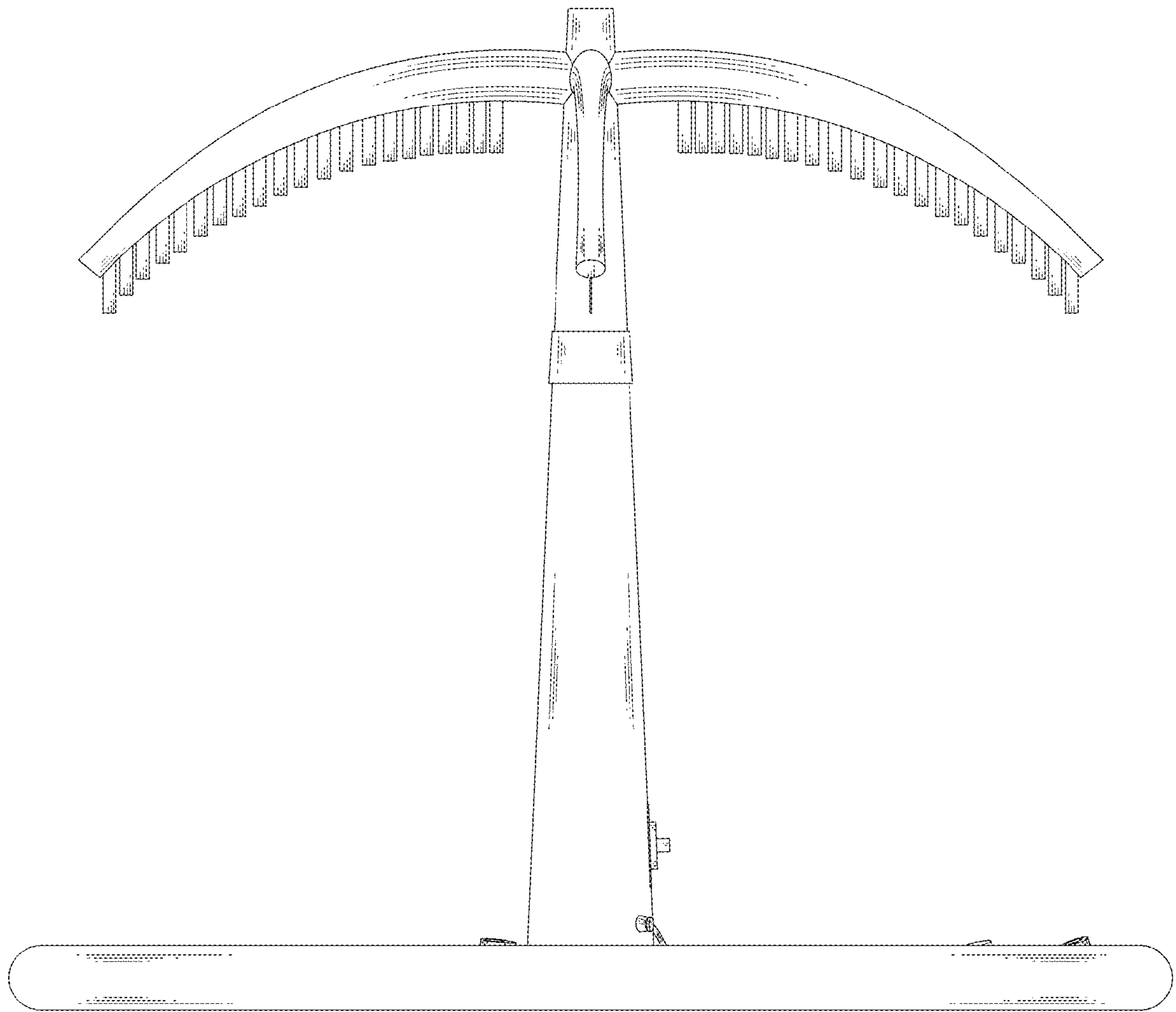


FIG. 4

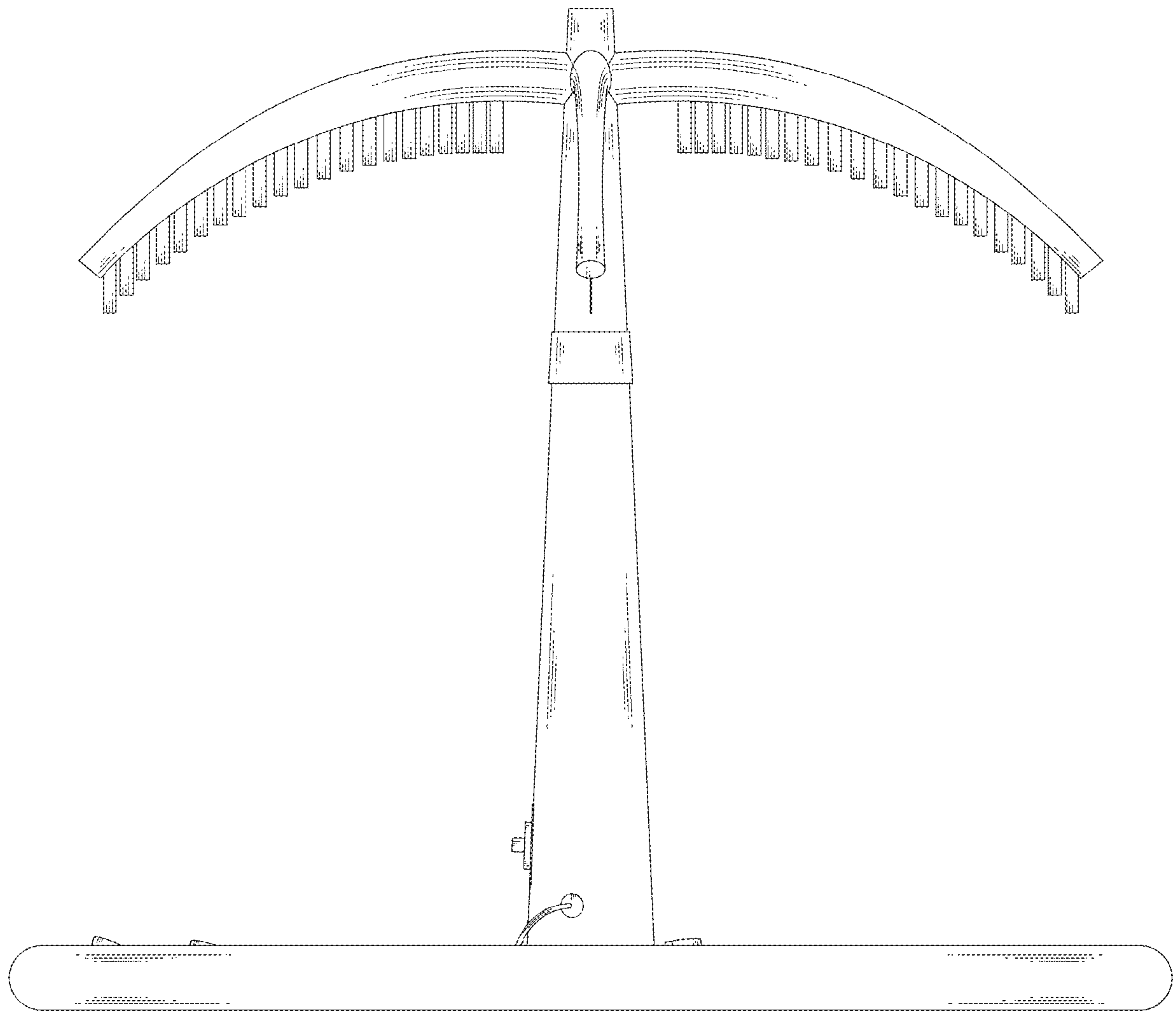


FIG. 5

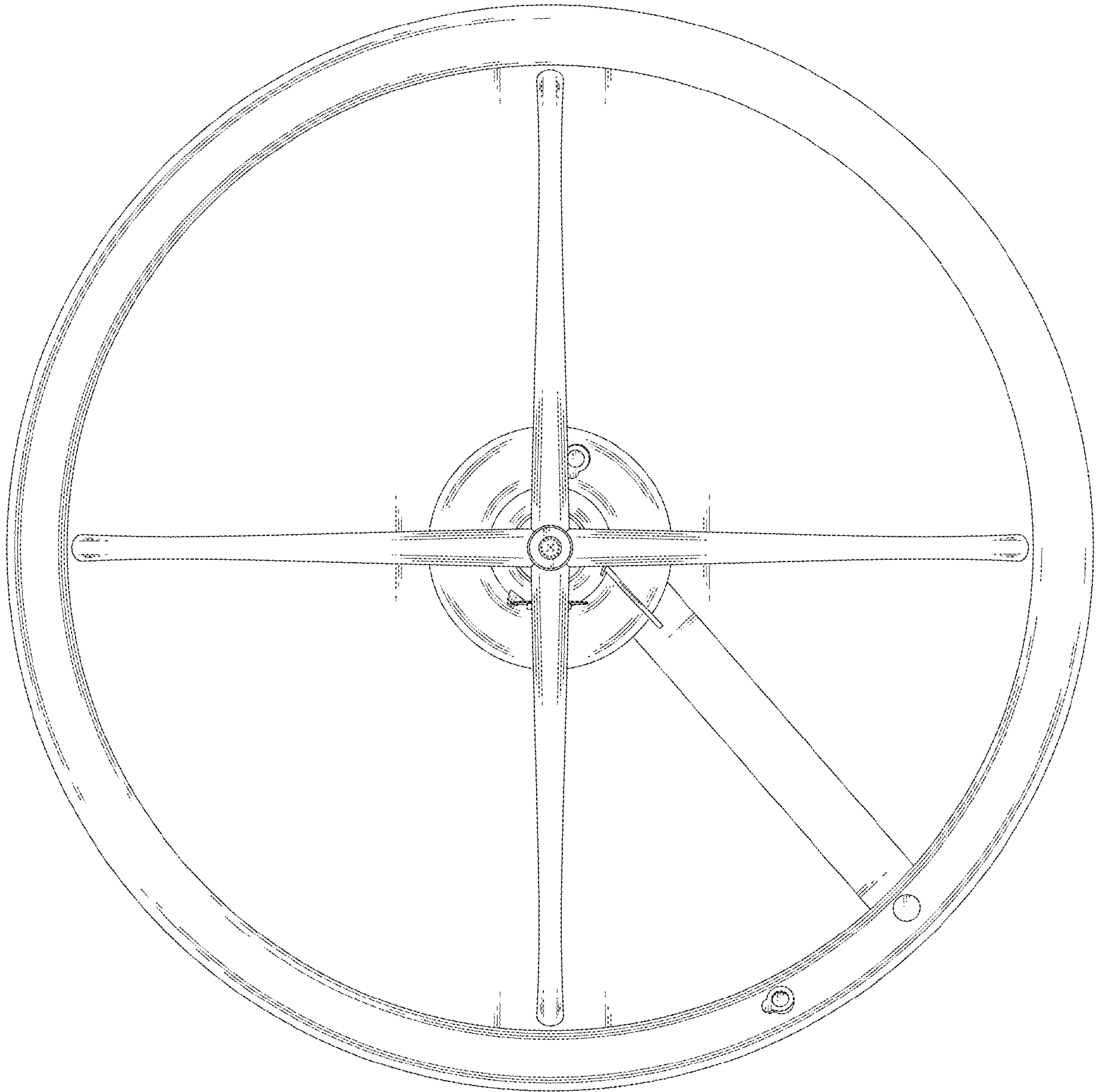


FIG.6



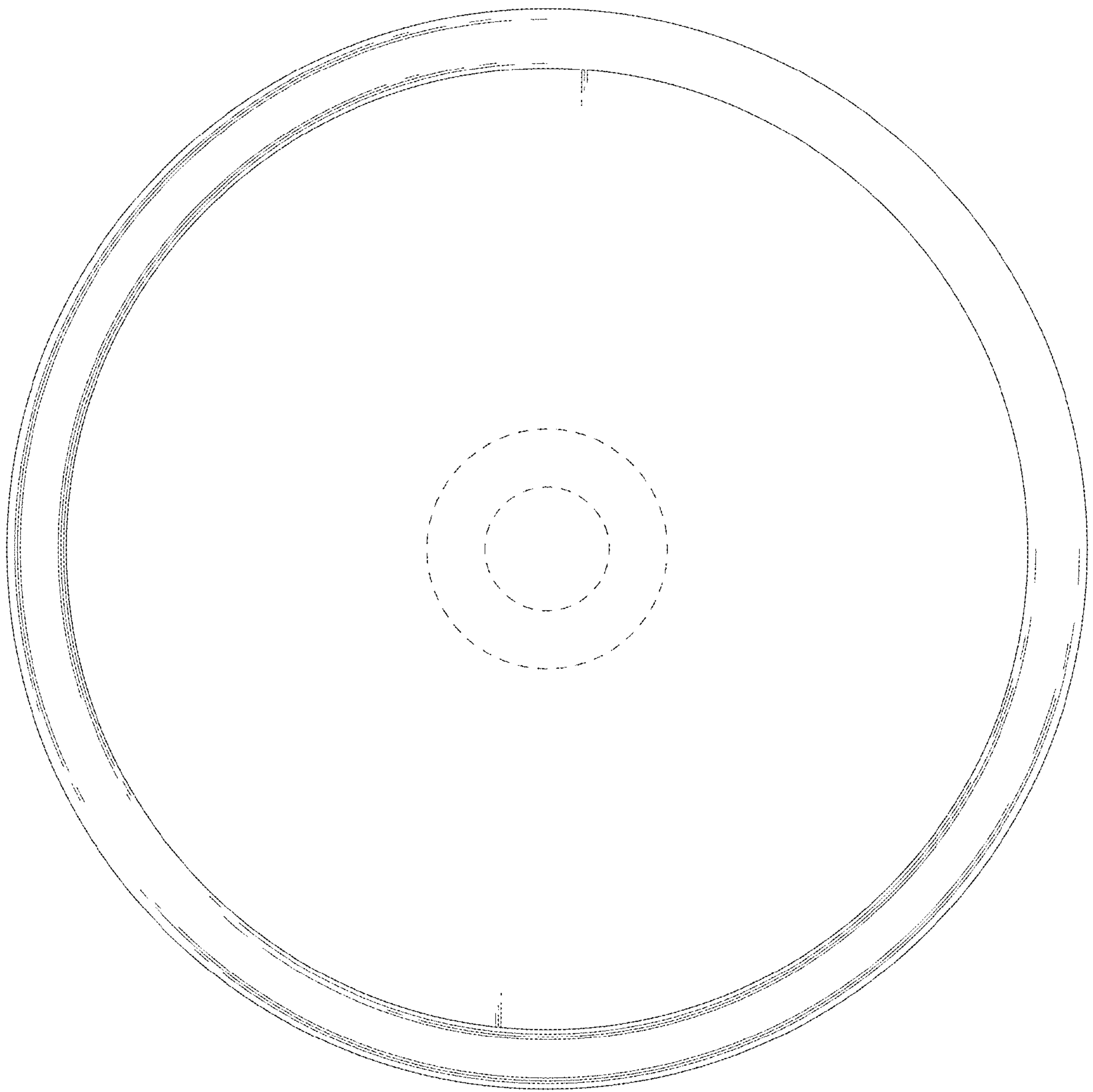


FIG.7