



US00D936787S

(12) **United States Design Patent**
Morgan

(10) **Patent No.:** **US D936,787 S**

(45) **Date of Patent:** **** Nov. 23, 2021**

(54) **ASPIRATING SPRAY NOZZLE**

(71) Applicant: **Spray Nozzle Engineering Pty Ltd,**
Moorabbin (AU)

(72) Inventor: **Sean Morgan,** Moorabbin (AU)

(73) Assignee: **SPRAY NOZZLE ENGINEERING**
PTY LTD, Moorabbin (AU)

(**) Term: **15 Years**

(21) Appl. No.: **29/721,023**

(22) Filed: **Jan. 17, 2020**

(51) **LOC (13) Cl.** **23-01**

(52) **U.S. Cl.**
USPC **D23/213**

(58) **Field of Classification Search**
USPC D23/213, 214, 215, 223, 224, 226, 229
CPC A61H 9/0021; A61H 33/00; B05B 1/00;
B05B 1/14; B05B 1/185; B05B 1/08;
B05B 1/02; B05B 1/26; B05B 12/002;
B05B 1/18; B05B 9/01

See application file for complete search history.

(56) **References Cited**

U.S. PATENT DOCUMENTS

D319,291 S *	8/1991	Hanzel	D23/213
D421,110 S *	2/2000	Coulonvaux	D23/355
D577,100 S *	9/2008	Brown	D23/213
D674,878 S *	1/2013	Jones	D23/213
D693,427 S *	11/2013	Jones	D23/213
D712,009 S *	8/2014	Gopalan	D23/213
D728,070 S *	4/2015	Schurle	D23/213
D749,693 S *	2/2016	Evans	D23/213
D754,312 S *	4/2016	Ellis	D23/355
D776,240 S *	1/2017	Huang	D23/213
D797,890 S *	9/2017	Brown	D23/213
D805,115 S *	12/2017	Williams	D15/138
D833,572 S *	11/2018	Wu	D23/213
D912,204 S *	3/2021	Kim	D23/213

OTHER PUBLICATIONS

https://www.amazon.co.uk/DGYUI-Connectors-Connector-Adapter-Fitting/dp/B08FWRMTGJ/ref=pd_rhf_se_p_img_4?_encoding=UTF8&psc=1&refRID=EMRR5B82193X7BHP2RPE (Year: 2020).*
Toro 53469 5-Pack, 570 Series MPR+ 15' Quarter Nozzle, Apr. 10, 2020, Amazon.com, Sep. 15, 2021, URL: <https://www.amazon.com/Toro-53469-5-Pack-Quarter-Nozzle/dp/B081W8LWG1> (Year: 2020).*
Navadeal DN40 1 1/2" Stainless Steel Column Water Fountain Nozzle, Apr. 28, 2016, Amazon.com, Sep. 16, 2021, URL: <https://www.amazon.com/Flower-Column-Fountain-Nozzle-Sprinkler/dp/B00OC4XQE2> (Year: 2016).*

* cited by examiner

Primary Examiner — Jack Reickel

Assistant Examiner — Keith J Wilson

(74) *Attorney, Agent, or Firm* — Mark Malek; Widerman Malek, PL

(57) **CLAIM**

The ornamental design for an aspirating spray nozzle, as shown and described.

DESCRIPTION

FIG. 1 is a front elevation view of an aspirating spray nozzle according to the present invention.

FIG. 2 is a front perspective view of the aspirating spray nozzle illustrated in FIG. 1.

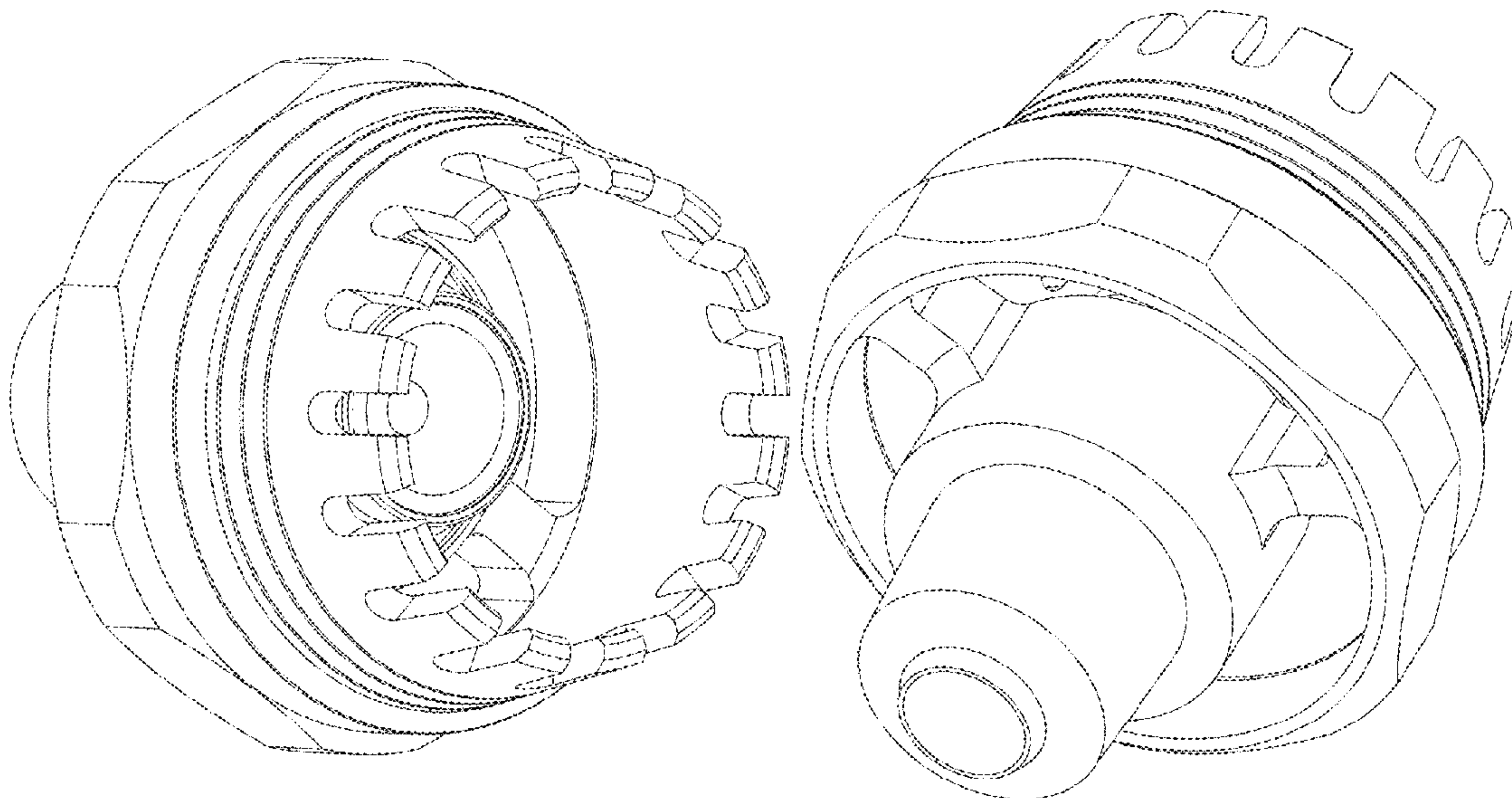
FIG. 3 is a rear perspective view of the aspirating spray nozzle illustrated in FIG. 1.

FIG. 4 is a rear elevation view of the aspirating spray nozzle illustrated in FIG. 1.

FIG. 5 is a side elevation view of the aspirating spray nozzle illustrated in FIG. 1; and,

FIG. 6 is an additional rear perspective view of the aspirating spray nozzle illustrated in FIG. 1.

1 Claim, 6 Drawing Sheets



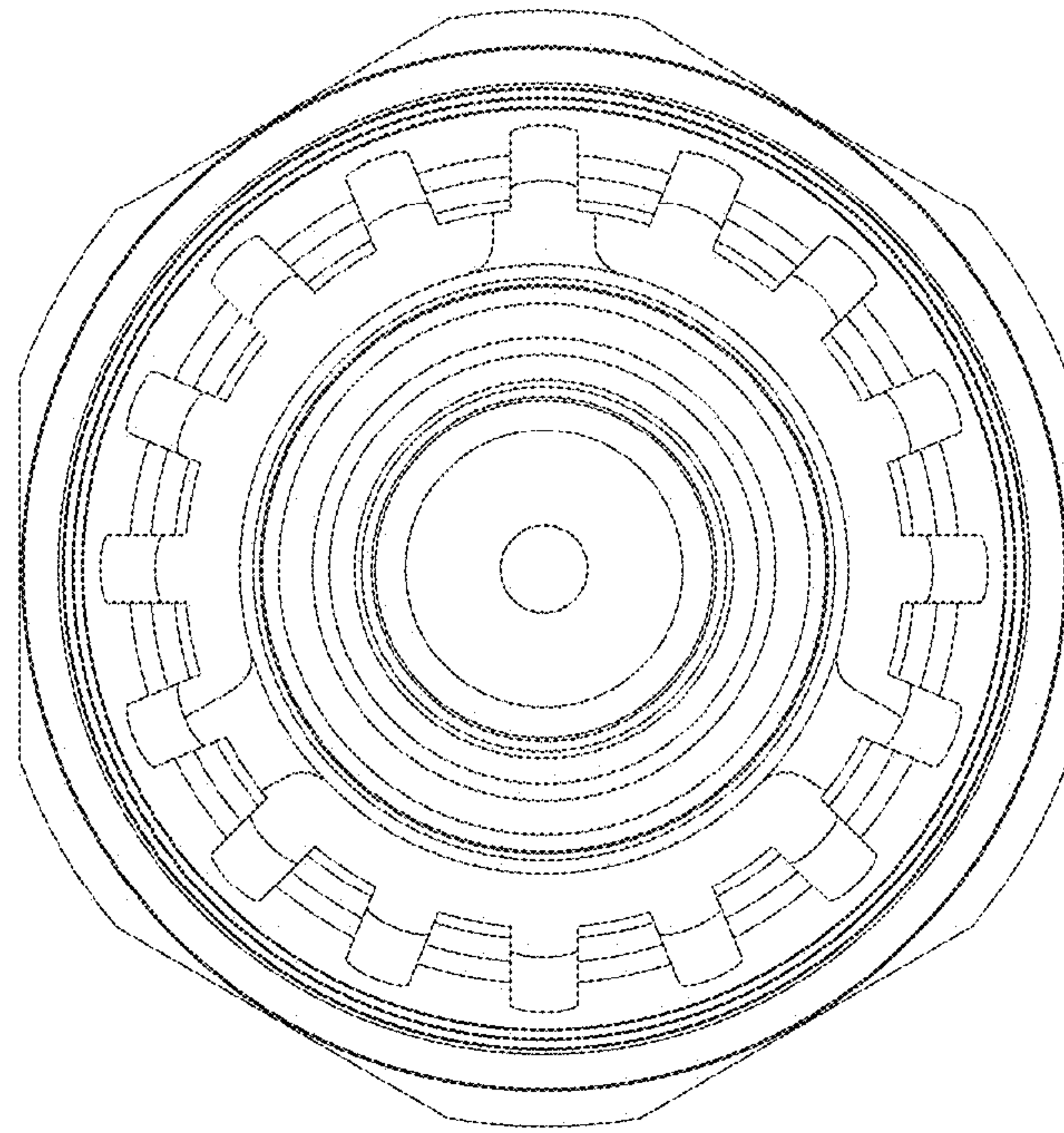


FIG. 1

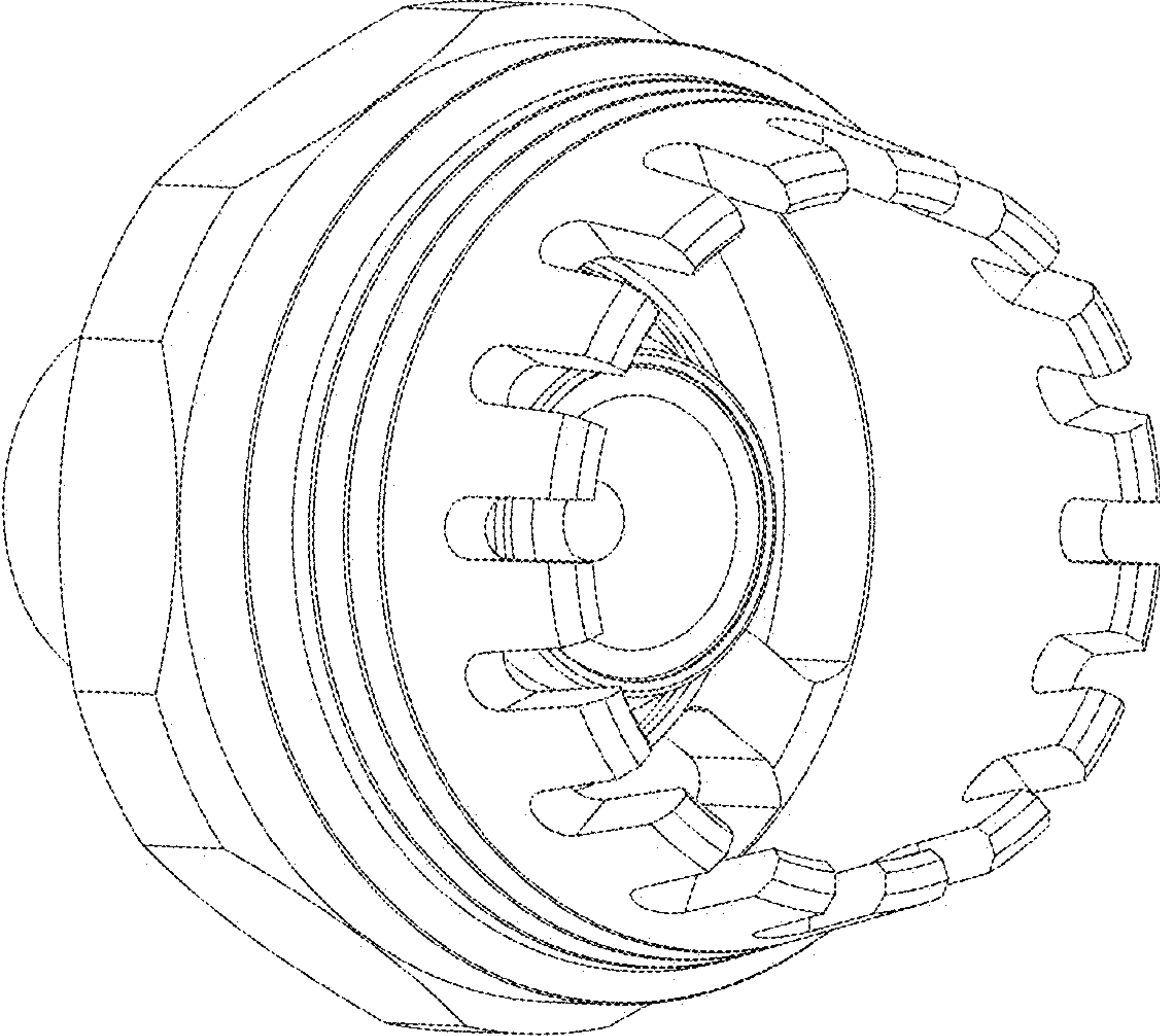


FIG. 2

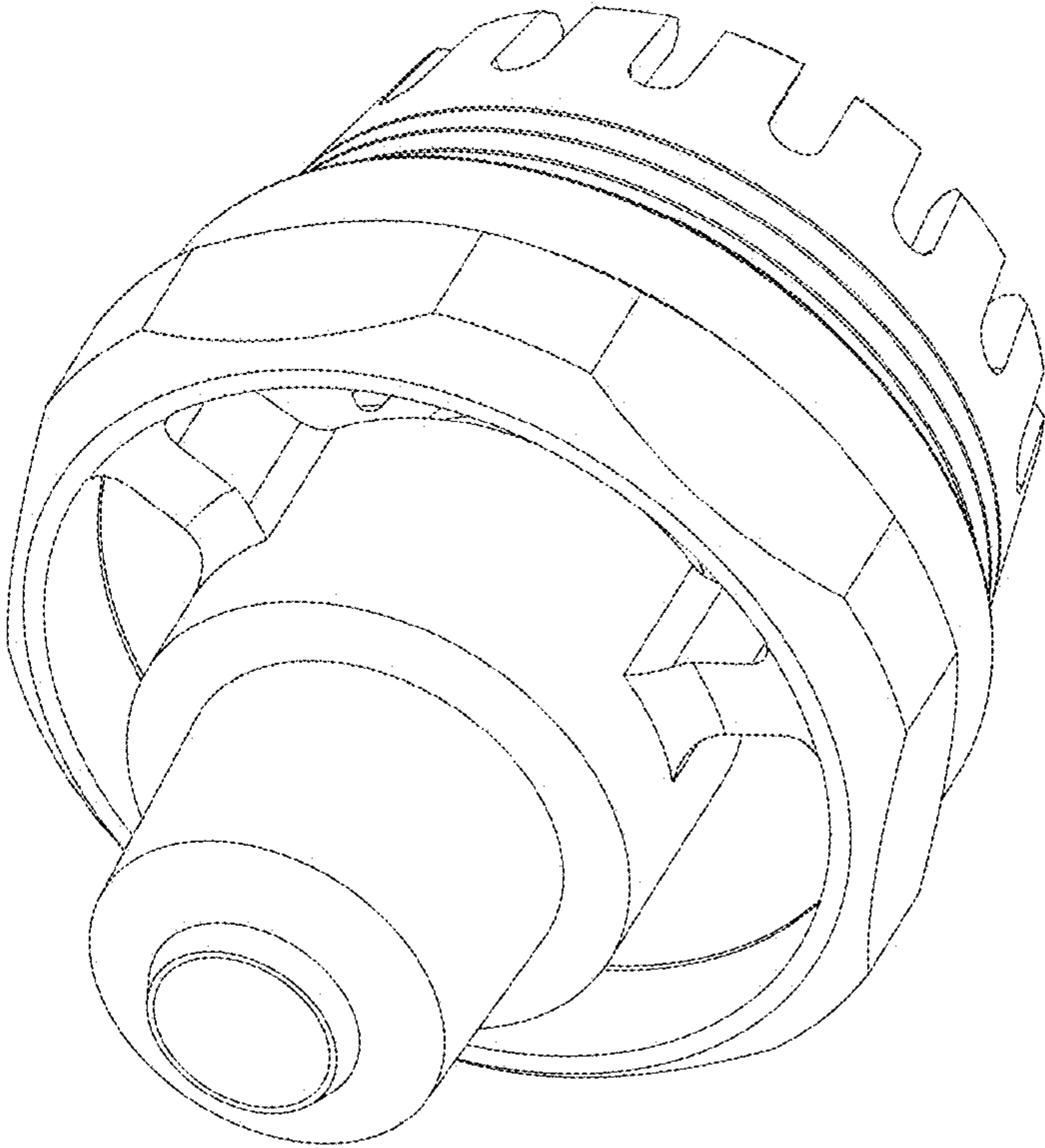


FIG. 3

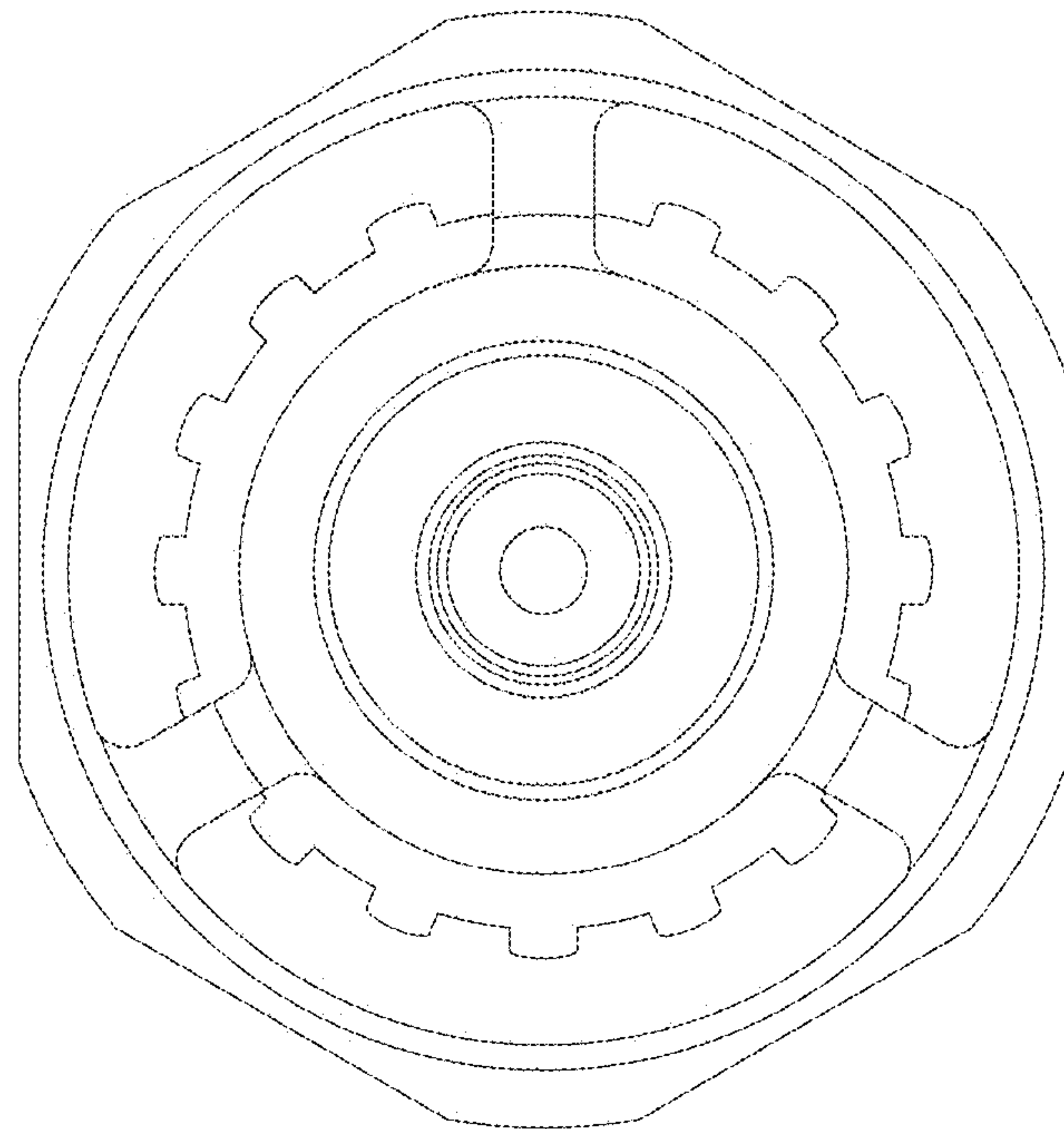


FIG. 4

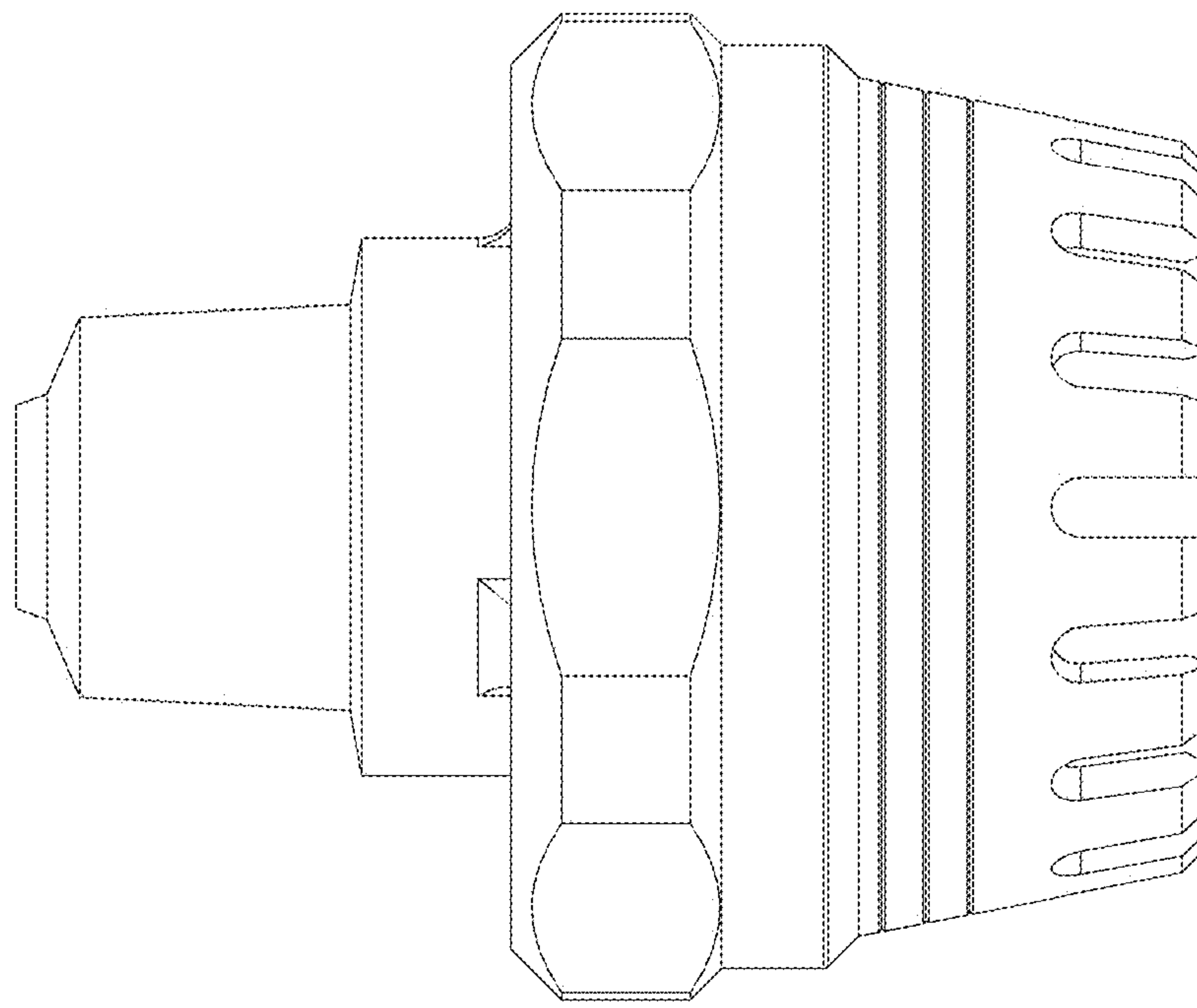


FIG. 5

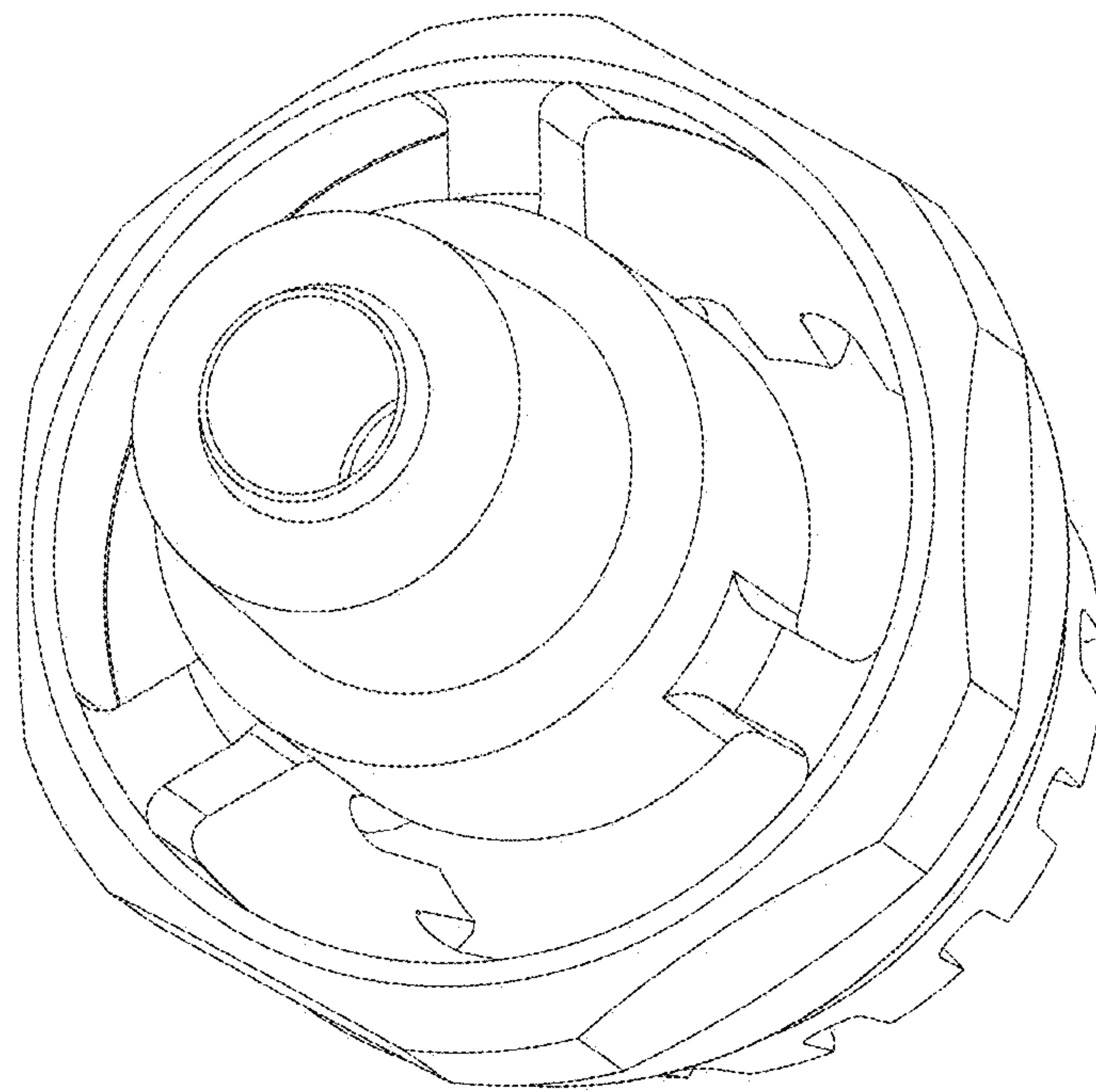


FIG. 6