



US00D936786S

(12) **United States Design Patent** (10) **Patent No.:** **US D936,786 S**  
**Cox** (45) **Date of Patent:** **\*\* Nov. 23, 2021**

(54) **SPOUT HEAD ATTACHMENT FOR WATERING CAN**

(71) Applicant: **Bosmere, Inc.**, Concord, NC (US)

(72) Inventor: **Jonathan Harold Cox**, Charlotte, NC (US)

(73) Assignee: **Bosmere, Inc.**, Concord, NC (US)

(\*\*) Term: **15 Years**

(21) Appl. No.: **29/720,703**

(22) Filed: **Jan. 15, 2020**

(51) **LOC (13) Cl.** ..... **23-01**

(52) **U.S. Cl.**  
USPC ..... **D23/213**

(58) **Field of Classification Search**  
USPC ..... D23/213, 214, 215, 223, 224, 226, 229, D23/230

CPC ..... A61H 9/0021; A61H 33/00; B05B 1/00; B05B 1/14; B05B 1/185; B05B 1/08; B05B 1/02; B05B 1/26; B05B 12/002; B05B 1/18; B05B 9/01

See application file for complete search history.

(56) **References Cited**

**U.S. PATENT DOCUMENTS**

D552,211 S *	10/2007	Toyohara	.....	D23/213
D575,845 S *	8/2008	Lobermeier	.....	D23/223
D594,928 S *	6/2009	Beschi	.....	D23/213
D626,194 S *	10/2010	Kakahana	.....	D23/213
D656,219 S *	3/2012	Su	.....	D23/223
D895,766 S *	9/2020	Schoenherr	.....	D23/213
D908,188 S *	1/2021	Seum	.....	D23/213
D919,044 S *	5/2021	Yan	.....	D23/213
D920,475 S *	5/2021	Michalak	.....	D23/226
2021/0112871 A1 *	4/2021	Kalaydzhyan	.....	A24F 40/51

**OTHER PUBLICATIONS**

Schone Products (UK) Weed & Watering Can Roses/Sprinkler, Spray head Attachments, Jun. 16, 2019, Amazon.com, Jul. 26, 2021, URL: <https://www.amazon.co.uk/Schone-Products-UK-Sprinkler-Attachments/dp/B07T69JVS2> (Year: 2019).\*

Watering Can Rose Black Plastic Universal Garden, Oct. 8, 2019, Amazon.com, Jul. 26, 2021, URL: <https://www.amazon.co.uk/Watering-Plastic-Universal-Outdoor-Flowers/dp/B07YVGVWSPL> (Year: 2019).\*

HAWS Watering Can Rose Extra Fine spray No. 1, Mar. 8, 2011, Amazon.com, Jul. 26, 2021, URL: <https://www.amazon.co.uk/HAWS-Watering-Rose-Extra-spray/dp/B00CWA79JQ> (Year: 2011).\*

\* cited by examiner

*Primary Examiner* — Jack Reickel

*Assistant Examiner* — Keith J Wilson

(74) *Attorney, Agent, or Firm* — Ashley Law Firm P.C.; Stephen S. Ashley, Jr.

(57) **CLAIM**

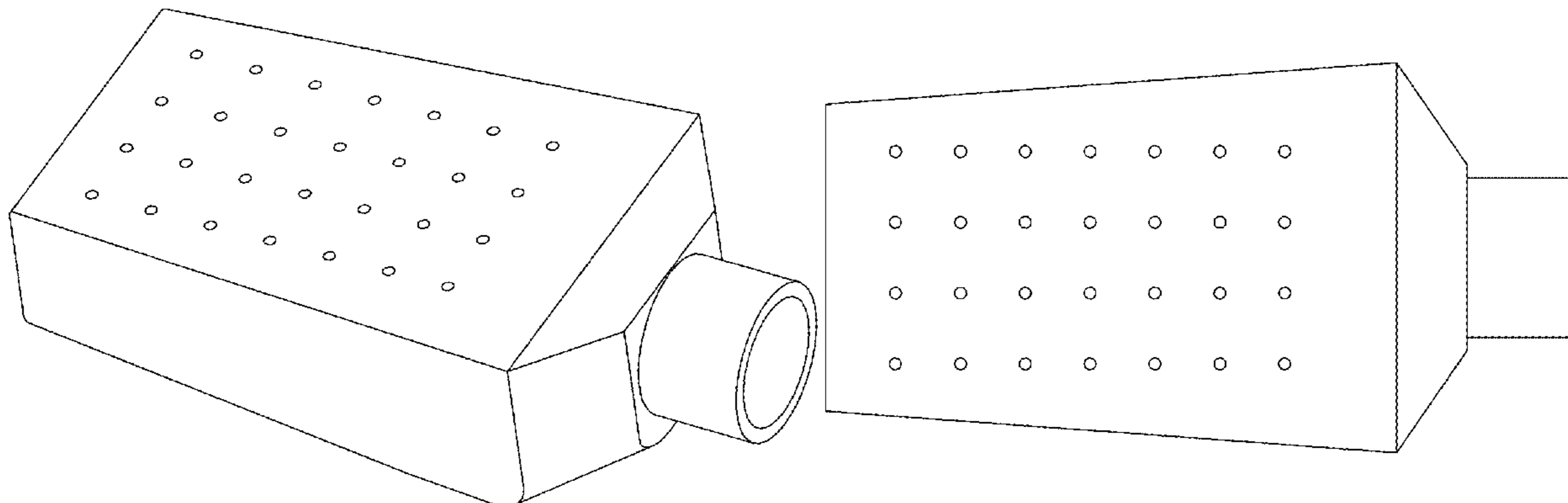
I claim the ornamental design for a spout head attachment for watering can, as shown and described.

**DESCRIPTION**

FIG. 1 is a perspective view of the invention; FIG. 2 is a top plan view of the invention; FIG. 3 is a left side view of the invention; the right side view of the invention is identical to the left side view; FIG. 4 is a front elevation of the invention; FIG. 5 is a rear elevation of the invention; FIG. 6 is a bottom plan view of the invention; and, FIG. 7 is an environmental perspective view of the invention.

The broken lines in FIG. 6 represent portions of the spout head attachment for watering can that form no part of the claimed design, and the broken lines in FIG. 7 show environmental structure and form no part of the claimed design.

**1 Claim, 7 Drawing Sheets**



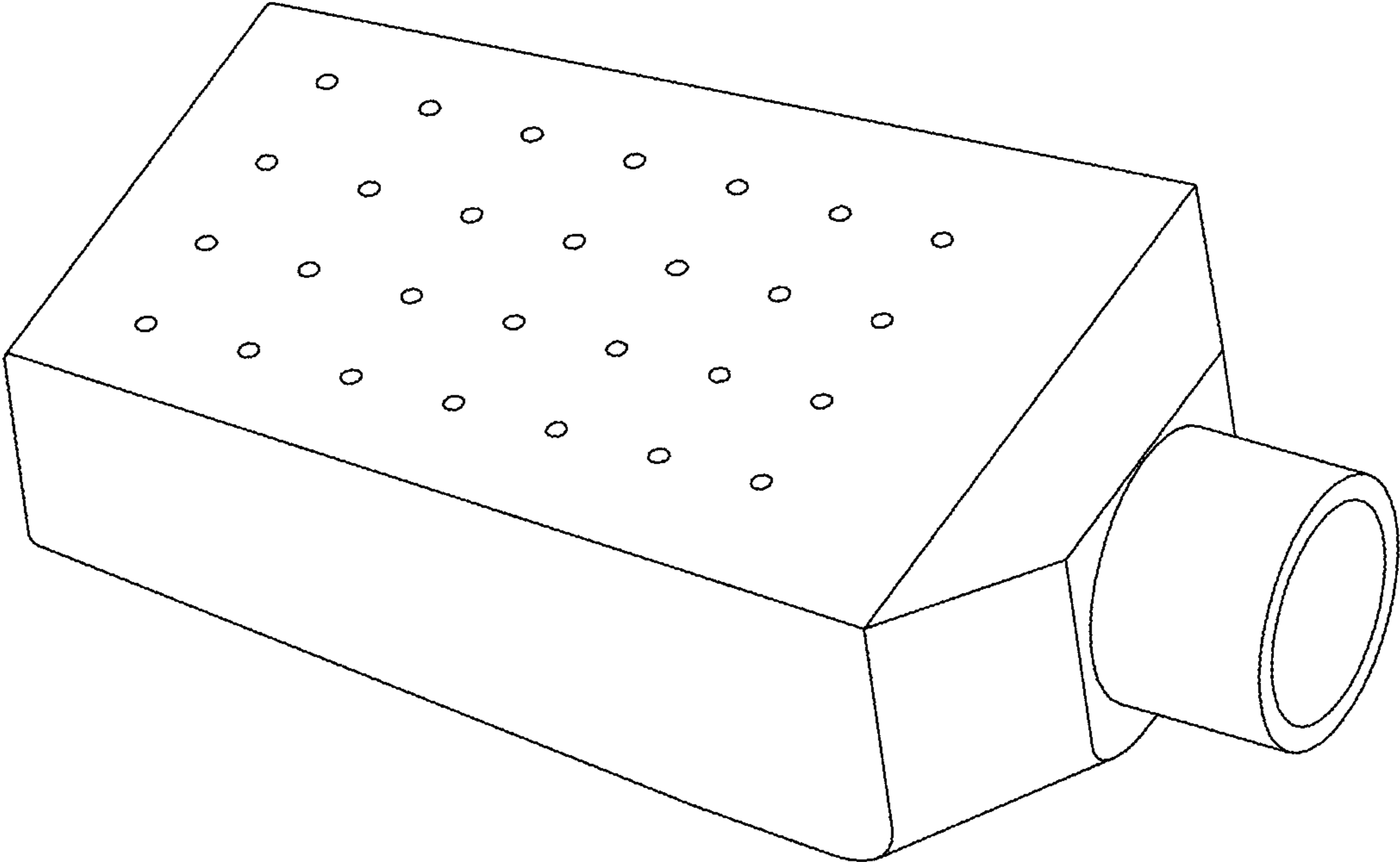


FIG. 1

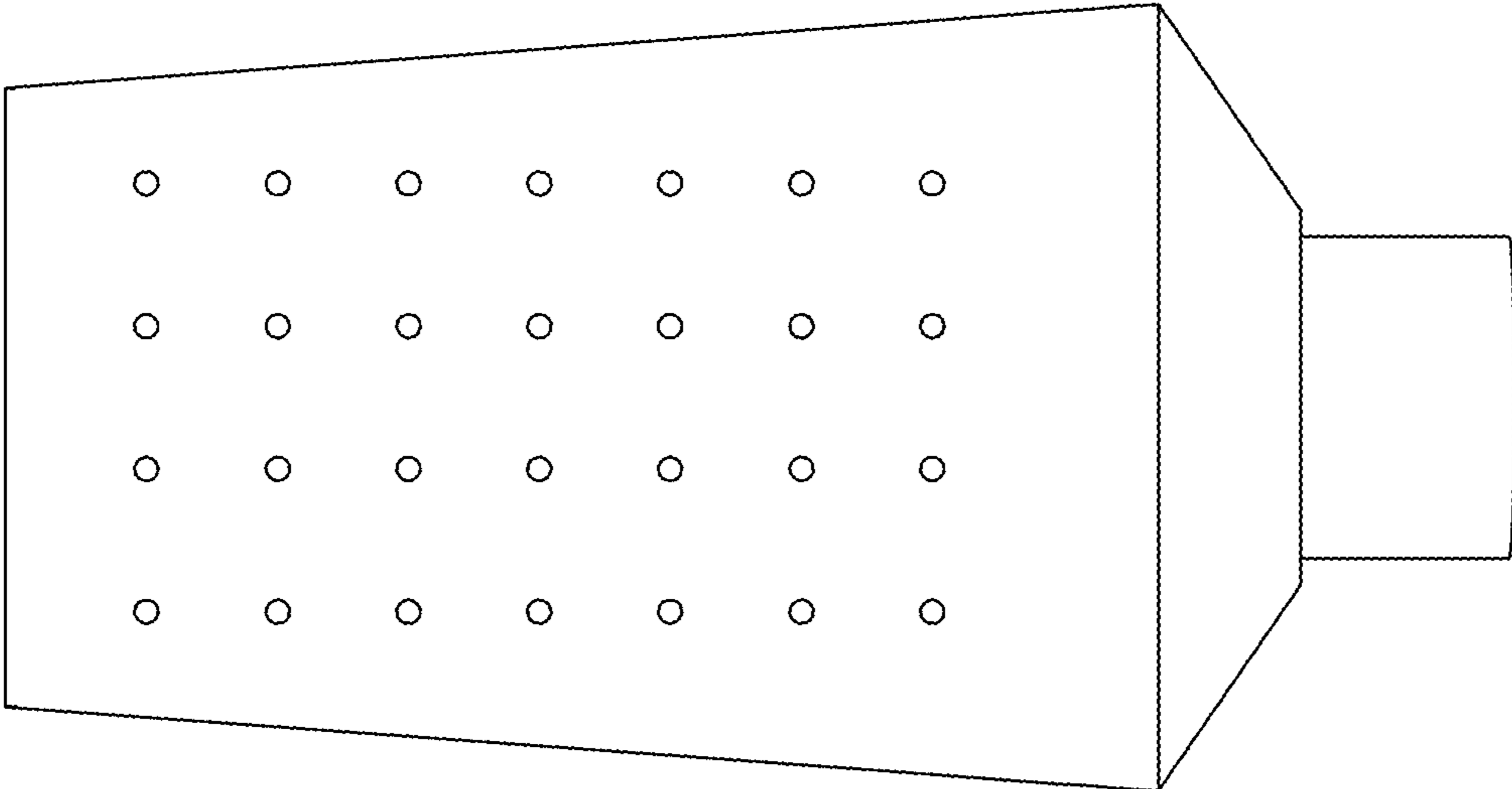


FIG. 2

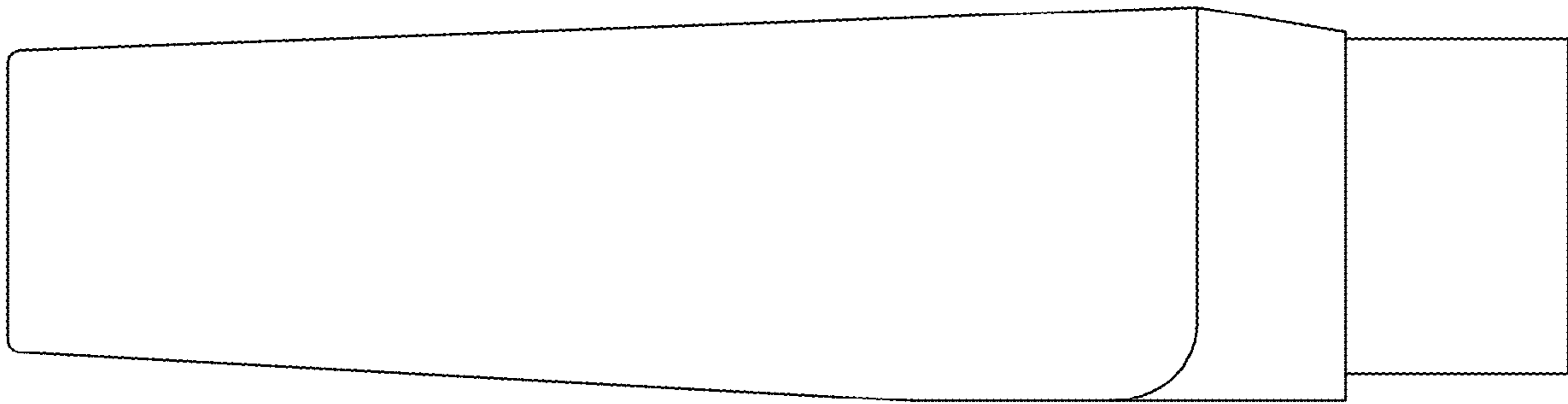


FIG. 3

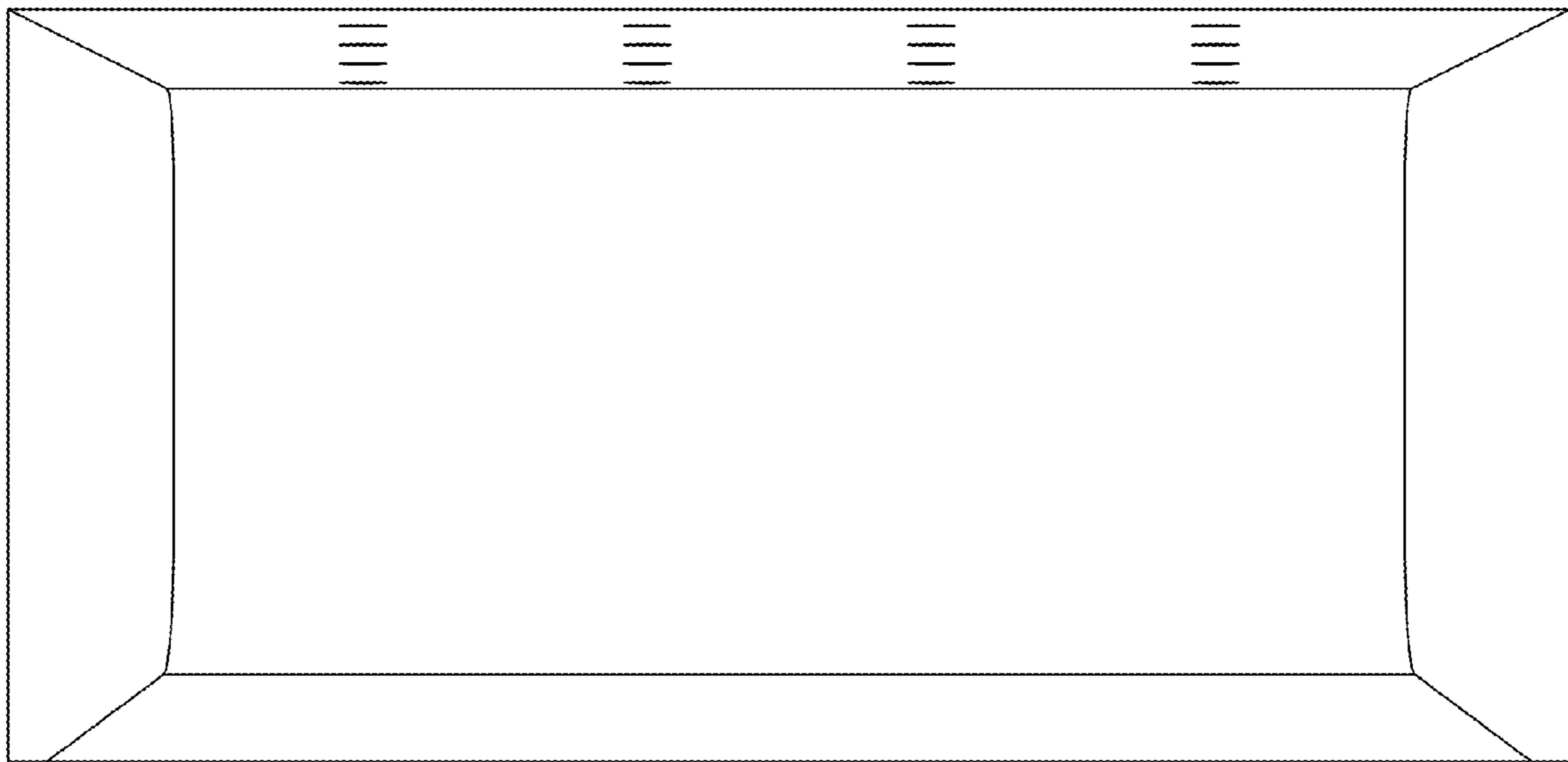


FIG. 4

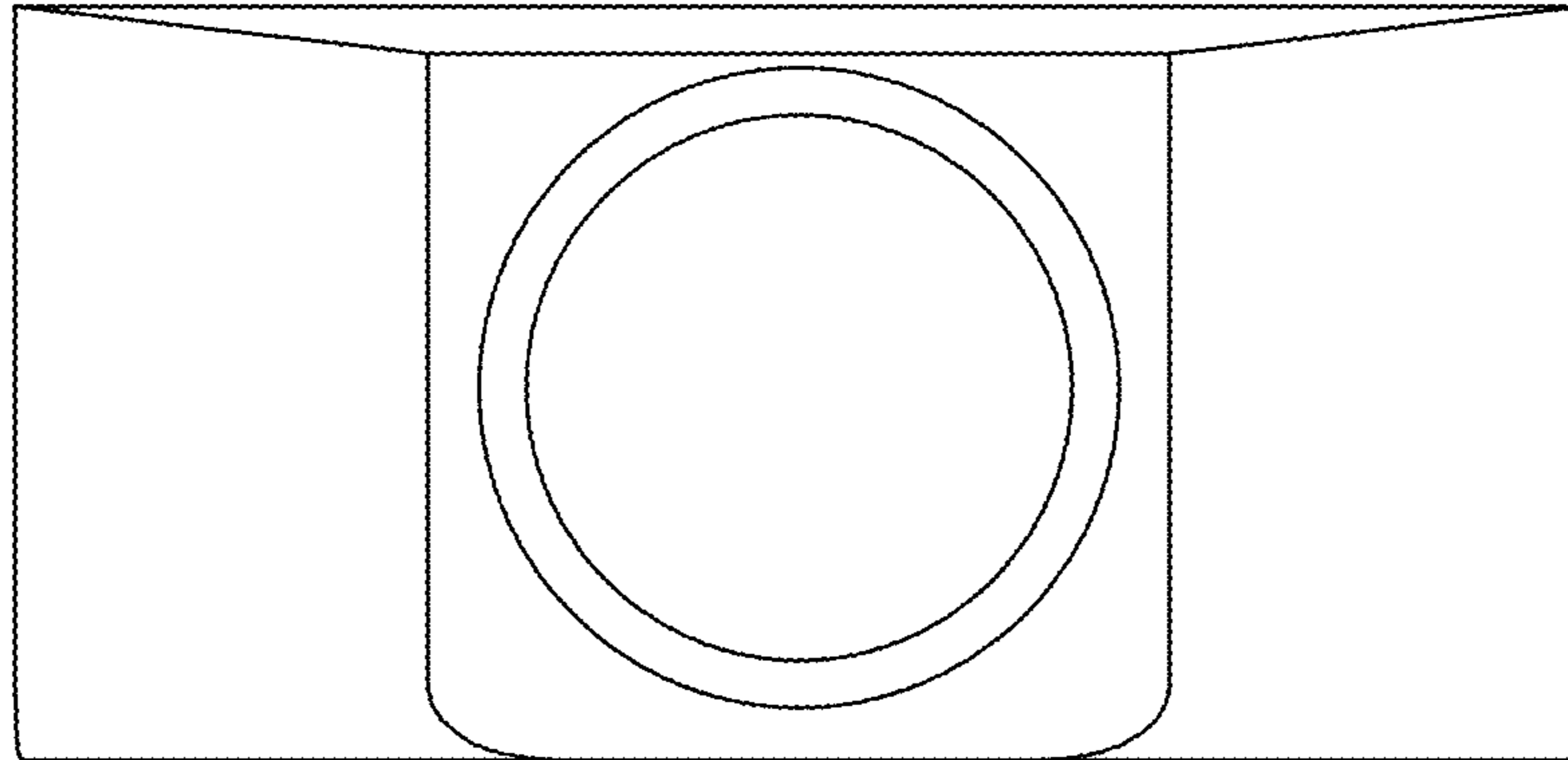


FIG. 5

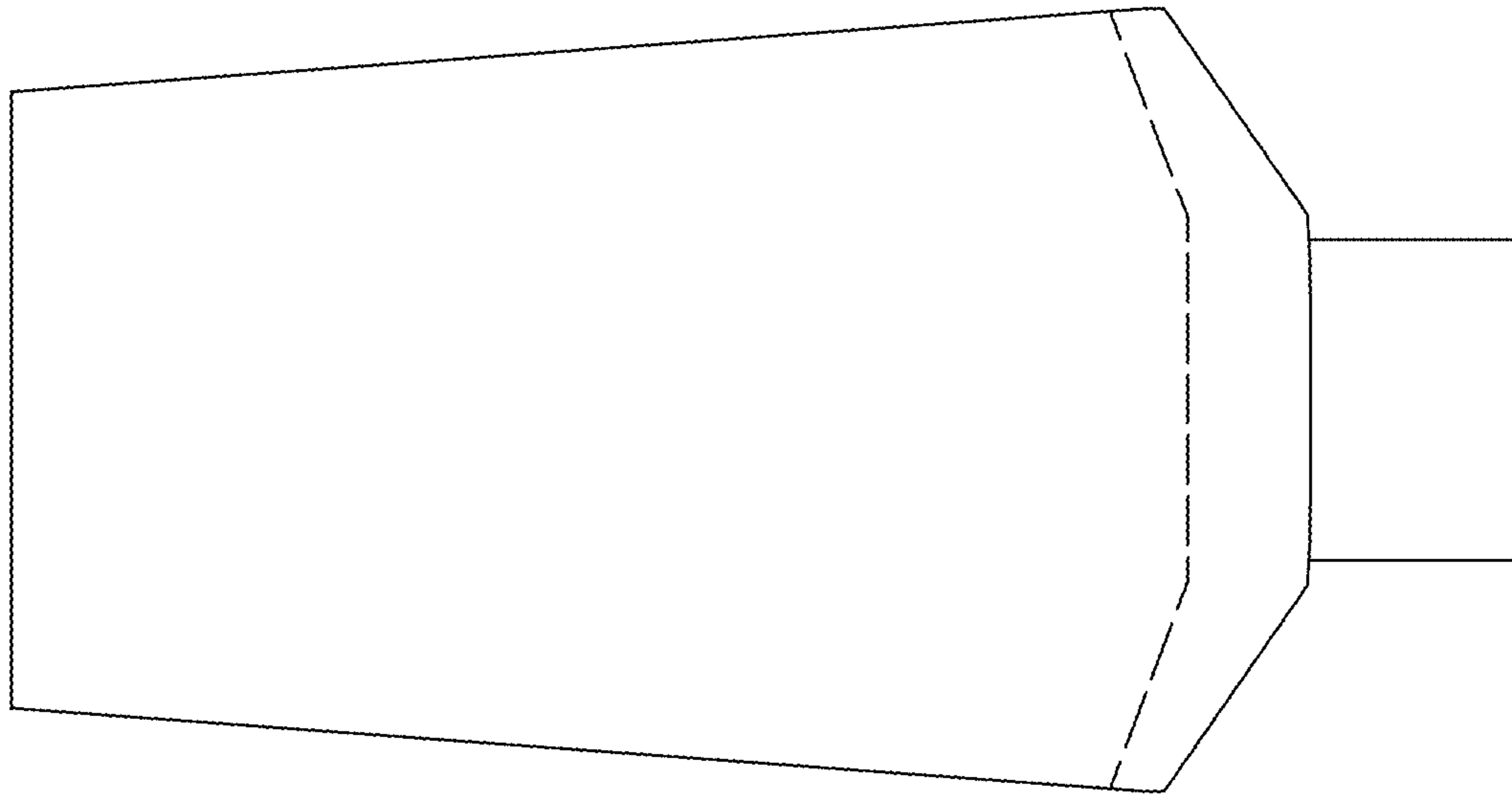


FIG. 6

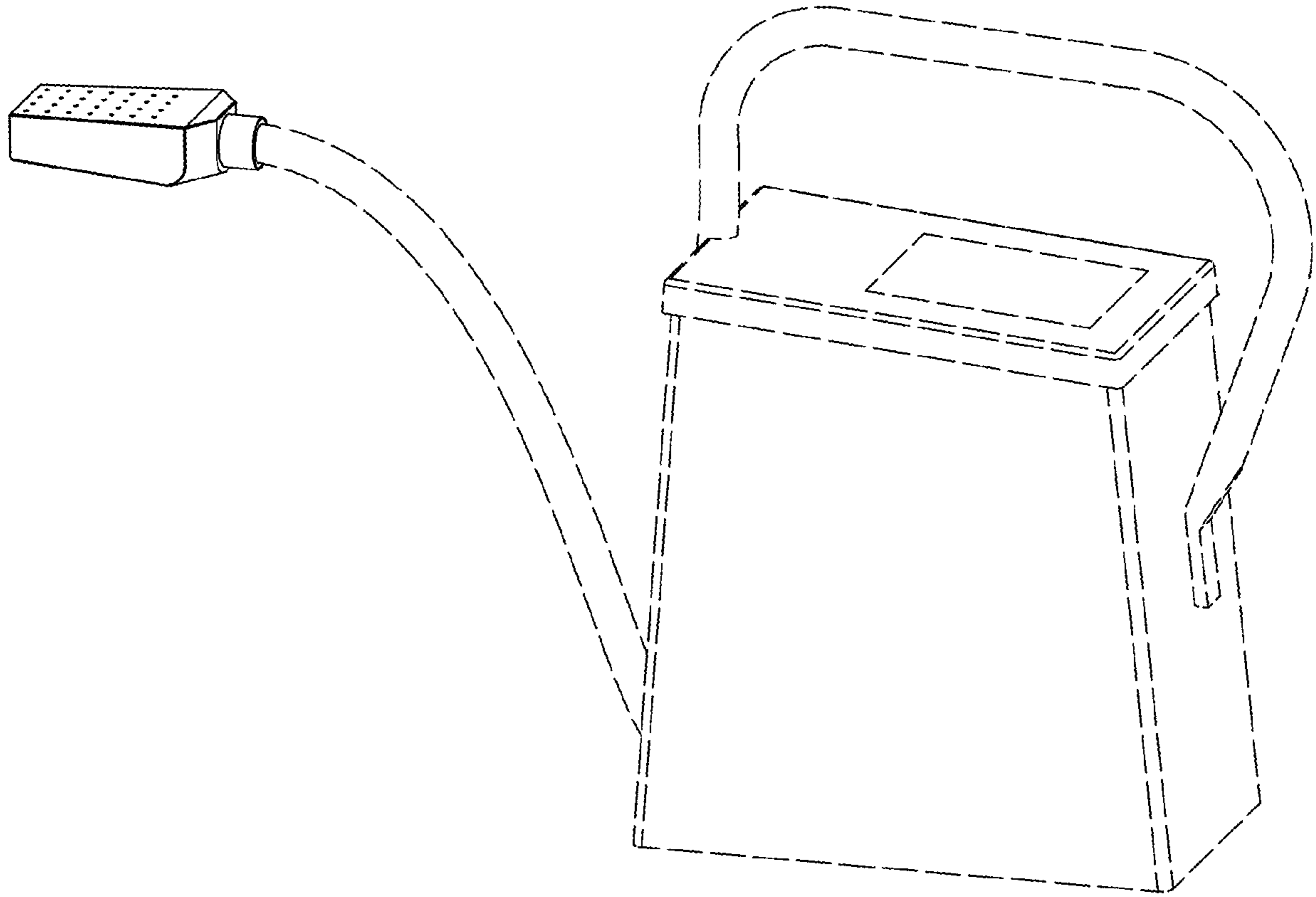


FIG. 7