



US00D936785S

(12) **United States Design Patent**  
**Vaughan**

(10) **Patent No.:** **US D936,785 S**

(45) **Date of Patent:** **\*\* Nov. 23, 2021**

(54) **ADAPTER FOR A LIQUID SPRAY NOZZLE**

(71) Applicant: **The Fountainhead Group, Inc.**, New York Mills, NY (US)

(72) Inventor: **John Vaughan**, Waterville, NY (US)

(73) Assignee: **The Fountainhead Group, Inc.**, New York Mills, NY (US)

(\*\*) Term: **15 Years**

(21) Appl. No.: **29/682,440**

(22) Filed: **Mar. 5, 2019**

(51) **LOC (13) Cl.** ..... **23-01**

(52) **U.S. Cl.**  
USPC ..... **D23/213**

(58) **Field of Classification Search**  
USPC ..... D23/209, 213, 223, 226, 249, 259, 260, D23/365  
CPC .. B01D 35/143; B01D 27/103; B01D 35/306; B01D 35/1475; B01D 2201/304; B01D 27/10; B01D 27/106  
See application file for complete search history.

(56) **References Cited**

**U.S. PATENT DOCUMENTS**

|               |         |               |       |                        |
|---------------|---------|---------------|-------|------------------------|
| D221,651 S *  | 8/1971  | Napper        | ..... | D23/259                |
| D229,496 S *  | 12/1973 | Hand          | ..... | D23/262                |
| 4,827,539 A * | 5/1989  | Kiziah        | ..... | E03D 11/16<br>285/303  |
| 4,899,938 A * | 2/1990  | Havrilla, Jr. | ..... | B05B 7/0815<br>239/294 |
| D319,291 S *  | 8/1991  | Hanzel        | ..... | D23/212                |
| D349,758 S *  | 8/1994  | Hallbach      | ..... | D23/259                |
| D364,916 S *  | 12/1995 | Hallbach      | ..... | D23/259                |
| D396,730 S *  | 8/1998  | Schaupp       | ..... | D23/259                |
| 5,799,364 A * | 9/1998  | Foisy         | ..... | A47L 5/24<br>15/338    |
| D402,354 S *  | 12/1998 | Strong        | ..... | D23/259                |
| 5,996,134 A * | 12/1999 | Senninger     | ..... | E03D 11/16<br>138/96 R |

|                |         |             |       |                         |
|----------------|---------|-------------|-------|-------------------------|
| D418,590 S *   | 1/2000  | Tracy       | ..... | D23/213                 |
| D439,636 S *   | 3/2001  | Hamilton    | ..... | D23/213                 |
| 6,435,567 B2 * | 8/2002  | Kikumori    | ..... | F16L 25/0036<br>285/319 |
| D462,256 S *   | 9/2002  | Jaynes      | ..... | D12/160                 |
| 6,499,771 B1 * | 12/2002 | Snyder, Sr. | ..... | F16L 37/0915<br>285/319 |
| D574,931 S *   | 8/2008  | Hughes      | ..... | D23/262                 |
| D595,420 S *   | 6/2009  | Suzuki      | ..... | D24/227                 |
| D595,421 S *   | 6/2009  | Suzuki      | ..... | D24/227                 |

(Continued)

**OTHER PUBLICATIONS**

<https://www.amazon.com/Gardena-02818-20-Spray-Nozzle-Profi-System-Maxi-Flow/> (Year: 2020).\*

(Continued)

*Primary Examiner* — Jack Reickel

*Assistant Examiner* — Keith J Wilson

(74) *Attorney, Agent, or Firm* — Bond Schoeneck & King, PLLC; George McGuire

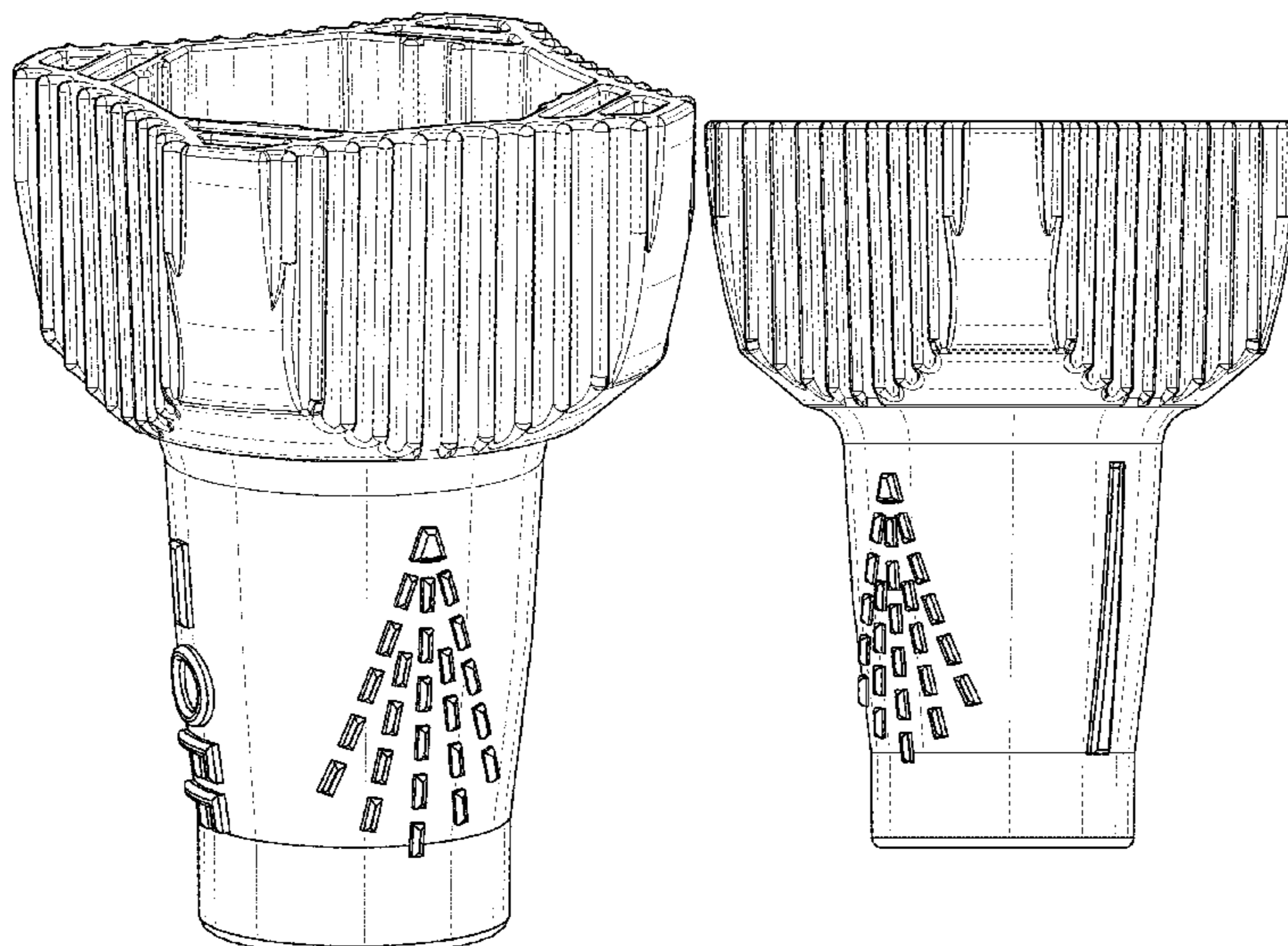
(57) **CLAIM**

The ornamental design for an adapter for a liquid spray nozzle, as shown and described.

**DESCRIPTION**

FIG. 1 is a perspective view of a new and ornamental design for an adapter for a liquid spray nozzle; FIG. 2 is a top plan view thereof; FIG. 3 is a bottom plan view thereof; FIG. 4 is a first side elevation view thereof; FIG. 5 is a second side elevation view thereof; FIG. 6 is a front elevation view thereof; and, FIG. 7 is a rear elevation view thereof. The broken lines in FIGS. 6 and 7 are for environmental purposes only and do not form any part of the claimed design.

**1 Claim, 7 Drawing Sheets**



(56)

References Cited

U.S. PATENT DOCUMENTS

|           |      |         |             |       |            |              |      |         |              |       |               |
|-----------|------|---------|-------------|-------|------------|--------------|------|---------|--------------|-------|---------------|
| D595,863  | S *  | 7/2009  | Suzuki      | ..... | D24/227    | D861,054     | S *  | 9/2019  | Avila        | ..... | D15/199       |
| D613,827  | S *  | 4/2010  | Damaske     | ..... | D23/259    | D865,919     | S *  | 11/2019 | Lippka       | ..... | D23/262       |
| D627,432  | S *  | 11/2010 | Escoto, Jr. | ..... | B05B 7/066 | D868,112     | S *  | 11/2019 | Tsuji        | ..... | D15/5         |
|           |      |         |             |       | D23/213    | D900,283     | S *  | 10/2020 | Deschamps    | ..... | D23/249       |
| D638,104  | S *  | 5/2011  | Govoni      | ..... | D23/262    | D914,135     | S *  | 3/2021  | Denmat       | ..... | D23/213       |
| D646,762  | S *  | 10/2011 | Terry       | ..... | D23/259    | 2003/0062428 | A1 * | 4/2003  | Baasch       | ..... | F02M 25/00    |
| D670,786  | S *  | 11/2012 | Mauchle     | ..... | D23/213    |              |      |         |              |       | 239/407       |
| 8,474,878 | B2 * | 7/2013  | Richter     | ..... | F16B 2/246 | 2004/0080160 | A1 * | 4/2004  | Rief         | ..... | E04H 4/1654   |
|           |      |         |             |       | 285/319    |              |      |         |              |       | 285/276       |
| D689,590  | S *  | 9/2013  | Brose       | ..... | D23/213    | 2006/0006651 | A1 * | 1/2006  | Watanabe     | ..... | F16L 25/0036  |
| D704,312  | S *  | 5/2014  | Kuo         | ..... | D23/259    |              |      |         |              |       | 285/247       |
| D704,799  | S *  | 5/2014  | Crawley     | ..... | D23/213    | 2007/0228727 | A1 * | 10/2007 | Matsuno      | ..... | F16L 37/0985  |
| D717,405  | S *  | 11/2014 | Coronado    | ..... | D23/259    |              |      |         |              |       | 285/305       |
| D717,406  | S *  | 11/2014 | Stanley     | ..... | D23/259    | 2012/0325335 | A1 * | 12/2012 | Schalkx      | ..... | F16L 37/2445  |
| 8,910,677 | B1 * | 12/2014 | Carpenter   | ..... | B60K 15/04 |              |      |         |              |       | 137/315.01    |
|           |      |         |             |       | 141/312    | 2014/0327238 | A1 * | 11/2014 | Bowman       | ..... | F16L 21/08    |
| D737,410  | S *  | 8/2015  | Wyne        | ..... | D23/259    |              |      |         |              |       | 285/112       |
| D738,470  | S *  | 9/2015  | Eaton       | ..... | F16L 21/08 | 2014/0338773 | A1 * | 11/2014 | French       | ..... | F16L 37/1225  |
|           |      |         |             |       | D23/259    |              |      |         |              |       | 138/109       |
| D782,621  | S *  | 3/2017  | Smith       | ..... | D23/259    | 2015/0060577 | A1 * | 3/2015  | Kosovich     | ..... | B05B 13/0627  |
| D784,495  | S *  | 4/2017  | Pearson     | ..... | D23/249    |              |      |         |              |       | 239/587.1     |
| 9,623,594 | B2 * | 4/2017  | French      | ..... | F16L 21/03 | 2015/0176728 | A1 * | 6/2015  | Bowman       | ..... | F16L 21/065   |
| D806,833  | S *  | 1/2018  | Pearson     | ..... | D23/249    |              |      |         |              |       | 285/309       |
| D812,714  | S *  | 3/2018  | Hughes      | ..... | D23/213    | 2015/0353340 | A1 * | 12/2015 | Gammon       | ..... | B64D 37/00    |
| D813,355  | S *  | 3/2018  | Weatherby   | ..... | D23/259    |              |      |         |              |       | 141/1         |
| D815,516  | S *  | 4/2018  | Karmarkar   | ..... | D8/382     | 2017/0328500 | A1 * | 11/2017 | Bowman       | ..... | F16L 17/04    |
| D816,811  | S *  | 5/2018  | Dagdelen    | ..... | D23/259    | 2017/0328505 | A1 * | 11/2017 | Sith         | ..... | F16L 37/0915  |
| D817,446  | S *  | 5/2018  | Kinzel      | ..... | D23/231    | 2017/0334705 | A1 * | 11/2017 | Murugo Perez | ..... | B67D 7/06     |
| D823,443  | S *  | 7/2018  | Bancroft    | ..... | D23/262    | 2018/0156362 | A1 * | 6/2018  | Takeda       | ..... | B25B 27/10    |
| D830,522  | S *  | 10/2018 | Di Liberto  | ..... | D23/259    | 2018/0163905 | A1 * | 6/2018  | Ohnemus      | ..... | F16L 21/005   |
| D833,581  | S *  | 11/2018 | Atwell      | ..... | D23/259    | 2018/0209567 | A1 * | 7/2018  | Brandt       | ..... | F16L 17/04    |
| D835,756  | S *  | 12/2018 | Auxter      | ..... | D23/249    | 2018/0304179 | A1 * | 10/2018 | Auxter       | ..... | B01D 27/06    |
| D836,755  | S *  | 12/2018 | Dale        | ..... | D23/259    | 2018/0326449 | A1 * | 11/2018 | Dale         | ..... | B05C 17/00513 |
| D844,113  | S *  | 3/2019  | Auxter      | ..... | D23/249    |              |      |         |              |       |               |
| D847,309  | S *  | 4/2019  | Sugatani    | ..... | D23/259    |              |      |         |              |       |               |
| D849,890  | S *  | 5/2019  | Tempel      | ..... | D23/233    |              |      |         |              |       |               |
| D851,220  | S *  | 6/2019  | Thompson    | ..... | D23/259    |              |      |         |              |       |               |
| D851,738  | S *  | 6/2019  | Ghorbani    | ..... | D23/259    |              |      |         |              |       |               |
| D852,934  | S *  | 7/2019  | Habres      | ..... | D23/259    |              |      |         |              |       |               |
| D855,781  | S *  | 8/2019  | Delancey    | ..... | D23/259    |              |      |         |              |       |               |
| D857,179  | S *  | 8/2019  | Thompson    | ..... | D23/259    |              |      |         |              |       |               |
| D859,604  | S *  | 9/2019  | Dagdelen    | ..... | D23/259    |              |      |         |              |       |               |

OTHER PUBLICATIONS

POWERTEC 70147 Tapered Adapter Oct. 16, 2017, Amazon.com, Mar. 26, 2021: URL: [https://www.amazon.com/POWERTEC-70147-Tapered-Adapter-4-Inch/dp/B00M3J60O6/\(Year: 2017\).](https://www.amazon.com/POWERTEC-70147-Tapered-Adapter-4-Inch/dp/B00M3J60O6/(Year: 2017).)\*  
5500-PPB-X8 Conejet Adjustable Spray Tip Jun. 24, 2018 Sprayerdepot.com, Mar. 26, 2021: URL: <https://www.sprayerdepot.com/products/5500-ppb-x8-conejet-adjustable-spray-tip> (Year: 2018).\*

\* cited by examiner

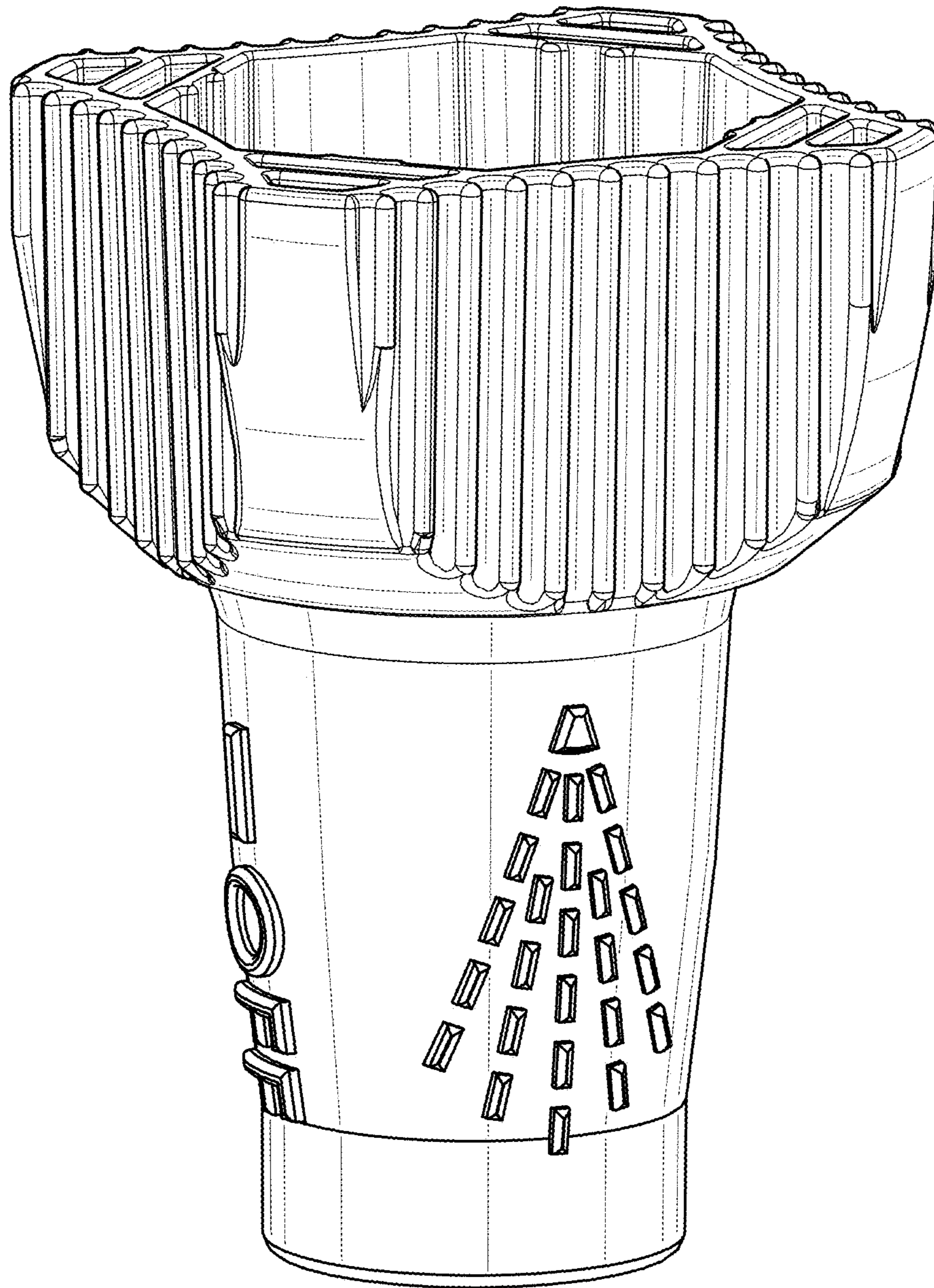


FIG. 1

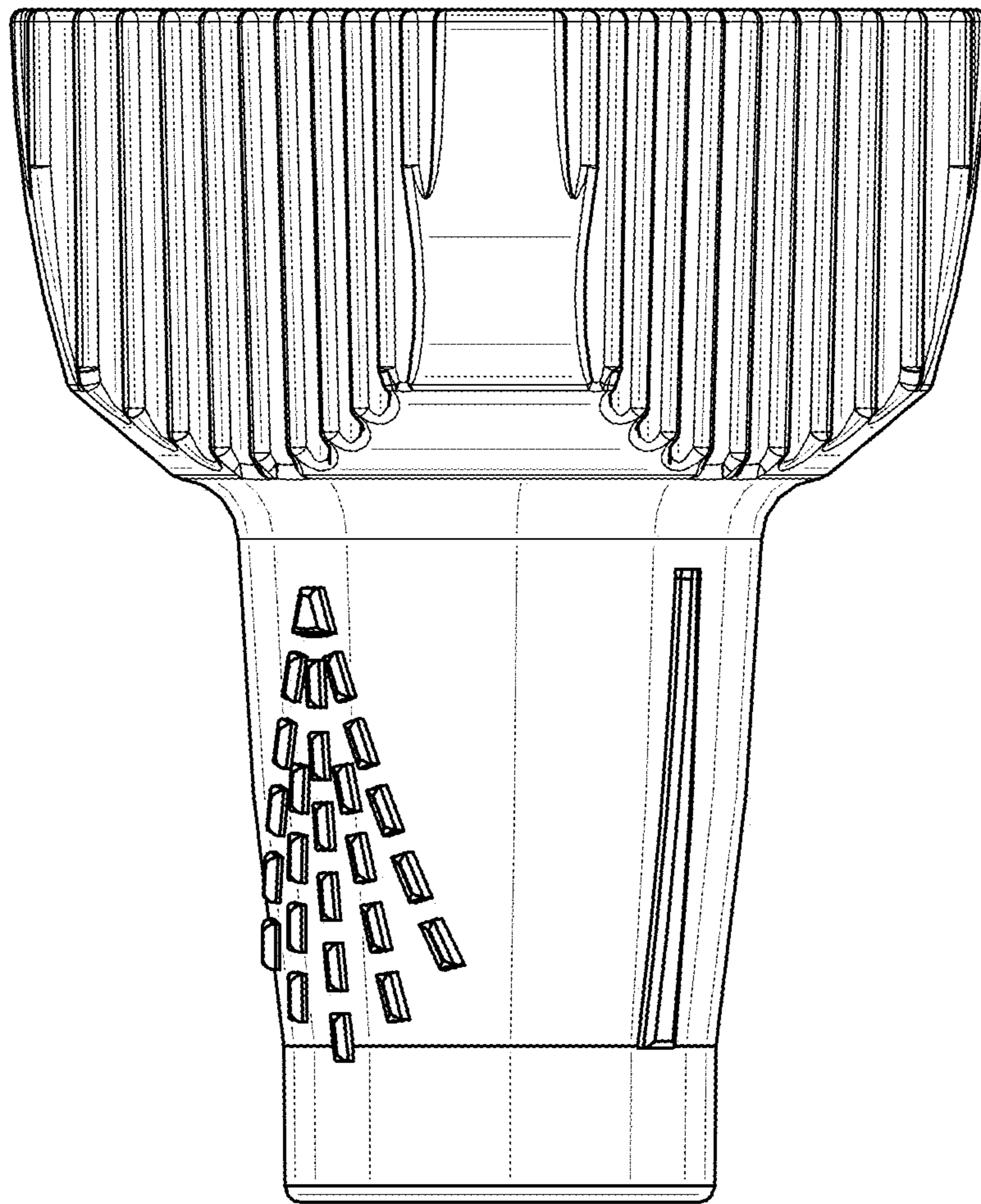


FIG. 2

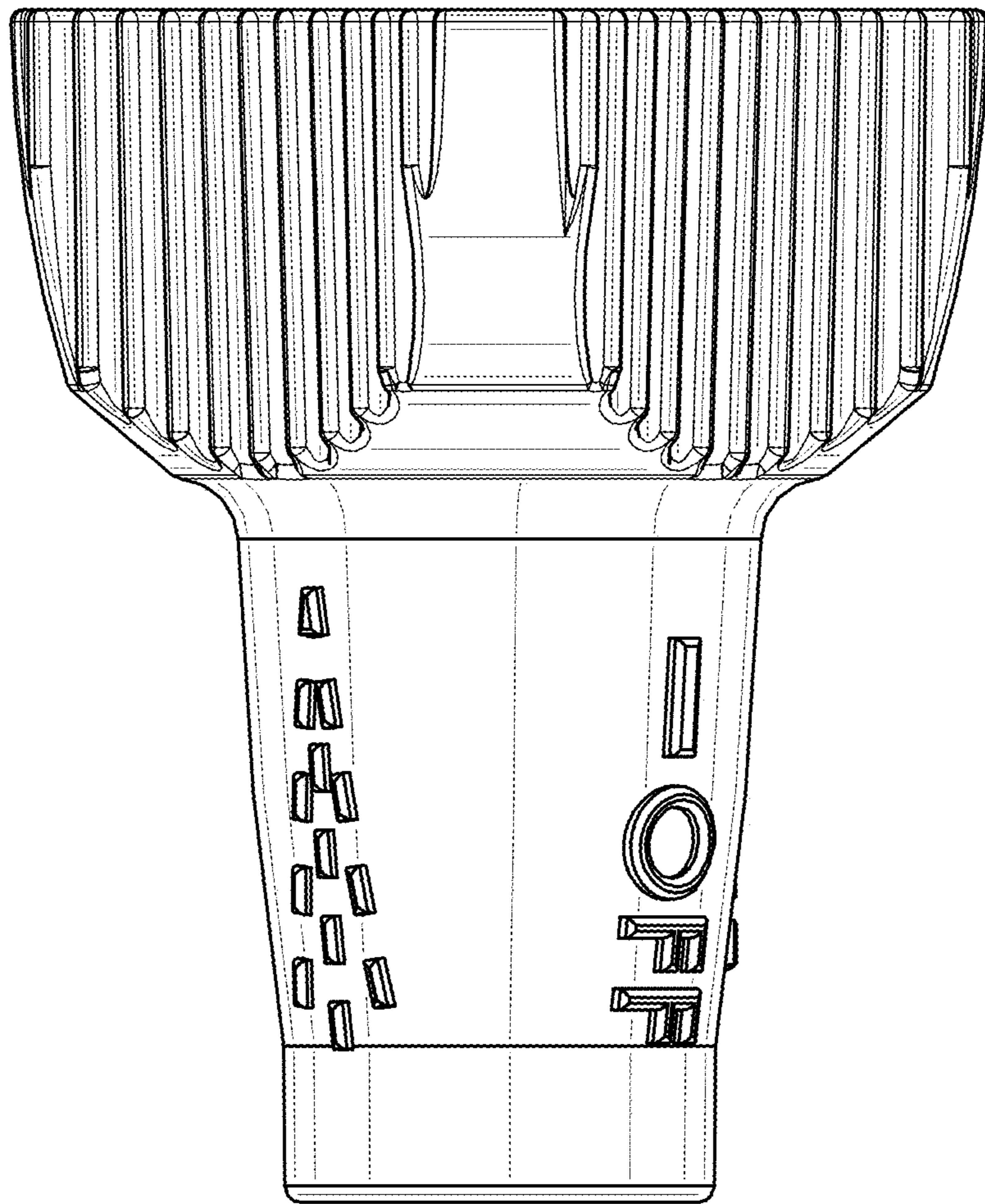


FIG. 3

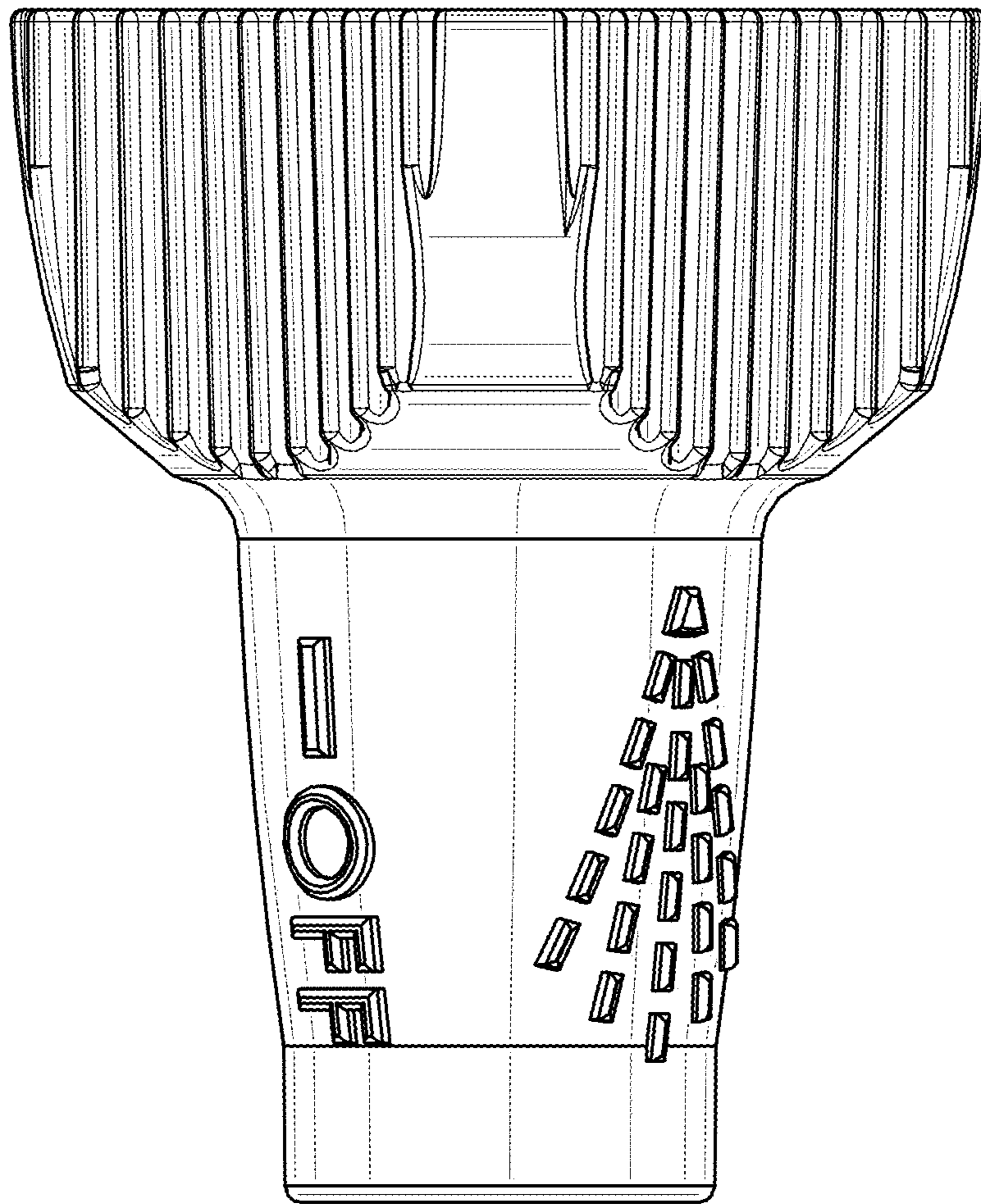


FIG. 4

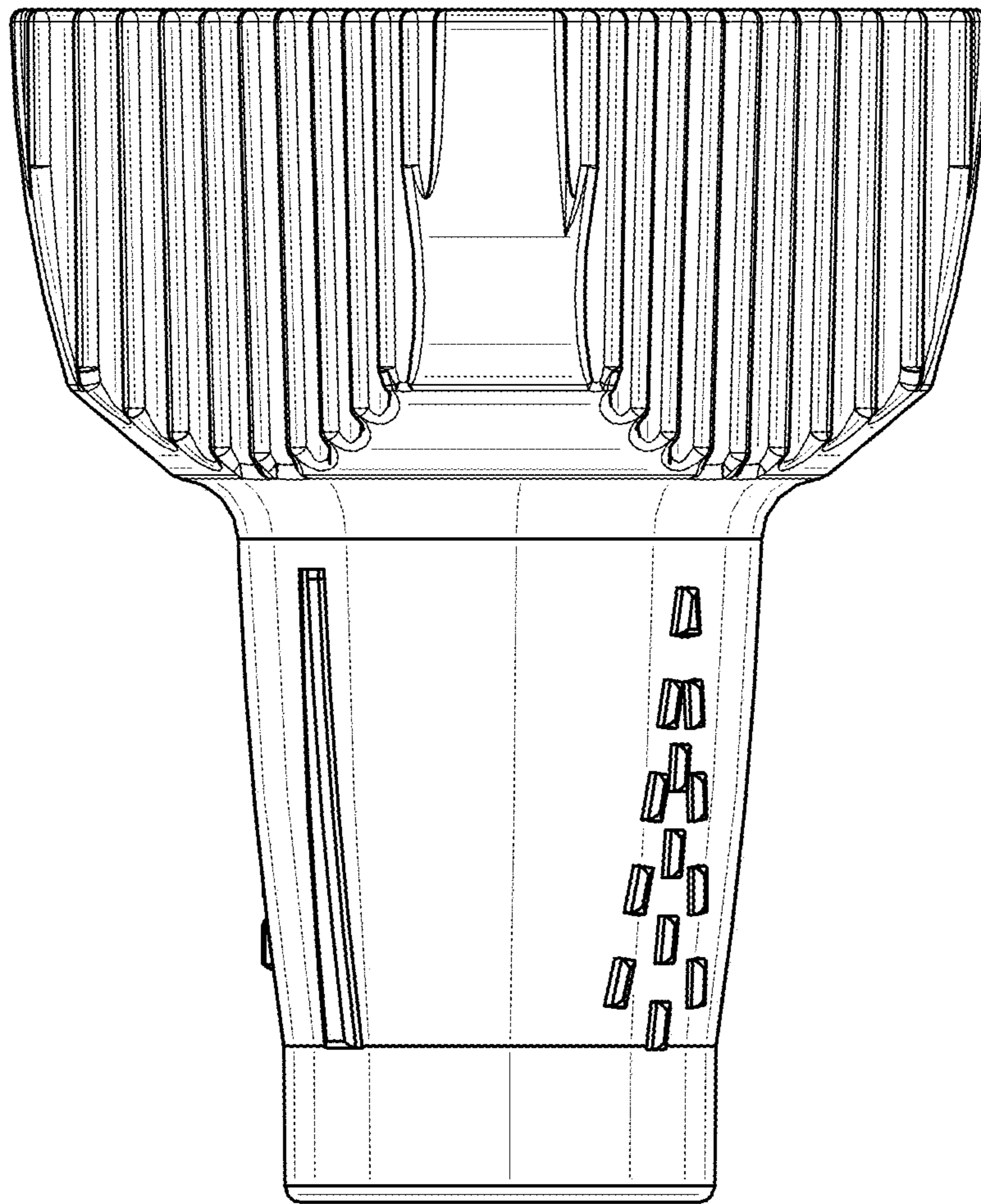


FIG. 5

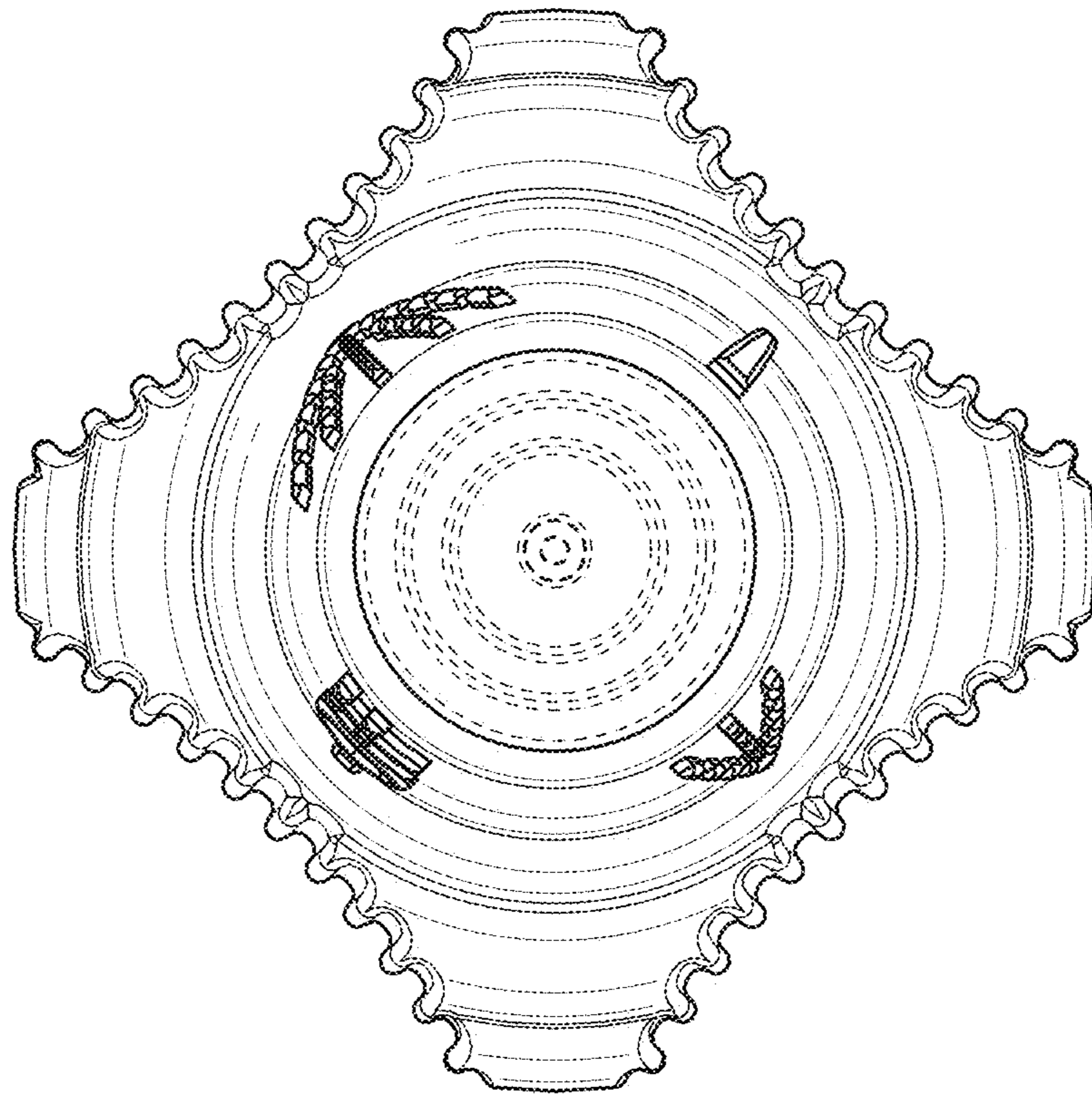


FIG. 6



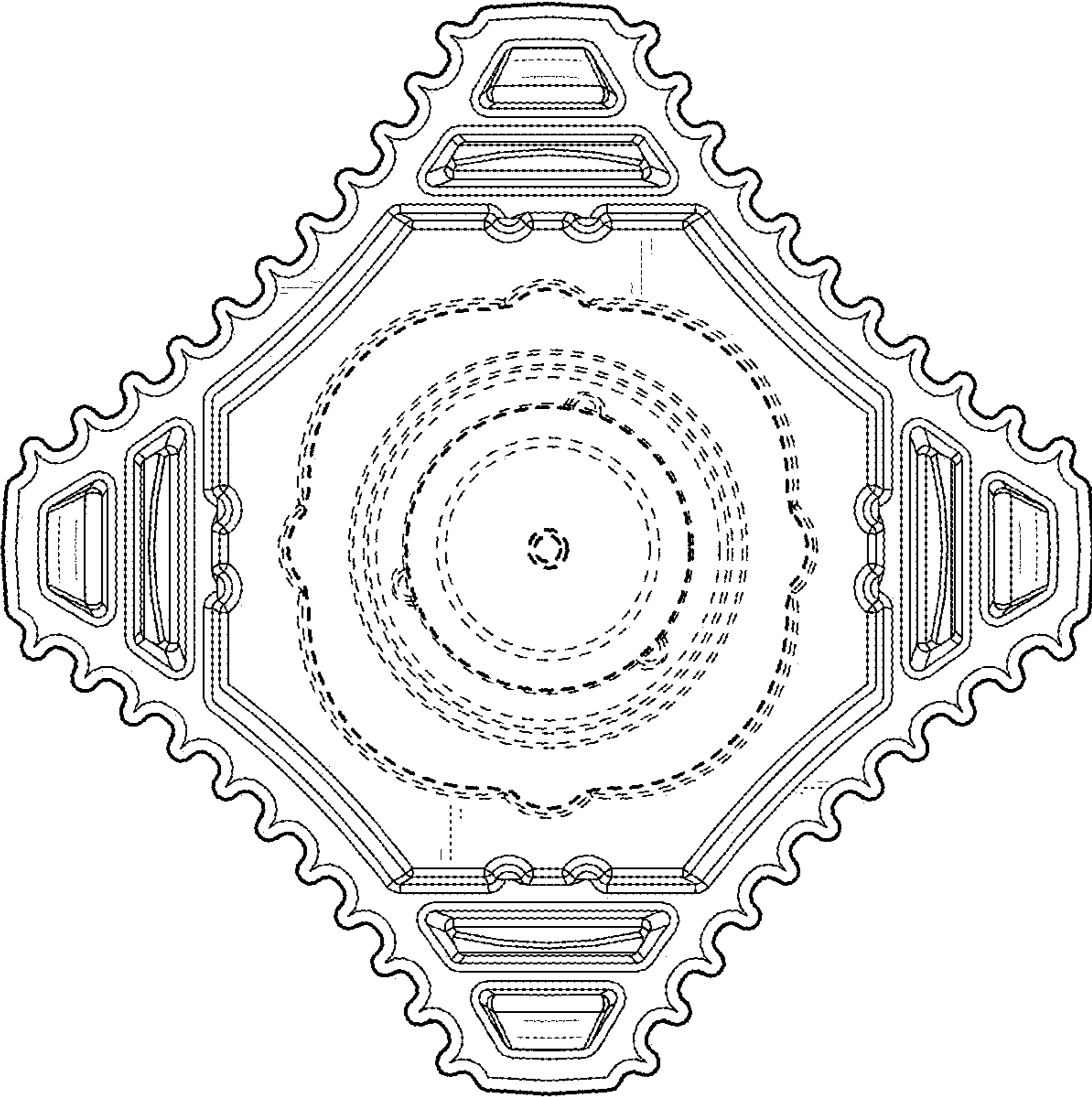


FIG. 7