



US00D936783S

(12) **United States Design Patent** (10) **Patent No.:** **US D936,783 S**
Budak (45) **Date of Patent:** **** Nov. 23, 2021**

(54) **WATERING CAN**
(71) Applicant: **Bosmere, Inc.**, Concord, NC (US)
(72) Inventor: **Abbas Budak**, Istanbul (TR)
(73) Assignee: **Bosmere, Inc.**, Concord, NC (US)
(**) Term: **15 Years**
(21) Appl. No.: **29/731,734**
(22) Filed: **Apr. 17, 2020**
(51) **LOC (13) Cl.** **23-01**
(52) **U.S. Cl.**
USPC **D23/212**
(58) **Field of Classification Search**
USPC D23/212, 213, 214, 215, 223, 224, 226,
D23/229, 230
CPC A61H 9/0021; A61H 33/00; B05B 1/00;
B05B 1/14; B05B 1/185; B05B 1/08;
B05B 1/02; B05B 1/26; B05B 12/002;
B05B 1/18; B05B 9/01
See application file for complete search history.

D626,194 S 10/2010 Kakihana et al.
D656,219 S 3/2012 Su
D895,766 S 9/2020 Schoenherr
D915,551 S * 4/2021 Lo D23/212
D916,239 S * 4/2021 Li D23/212

OTHER PUBLICATIONS

“[Gardman 8343 Vintage Watering Can]” [Oct. 15, 2019], Amazon.com, [Feb. 12, 2021]: [URL] https://www.amazon.com/dp/B00Q71H0WW/ref=sbl_dp_x_B088QKHX33_0 (Year: 2019).*
Watering Can Indoor and Outdoor, 50oz, May 13, 2021, Amazon.com, Jul. 24, 2021.URL: <https://www.amazon.com/Watering-Indoor-Outdoor-Small-Plants/dp/B094W7T3TP> (Year: 2021).*

(Continued)

Primary Examiner — Jack Reickel
Assistant Examiner — Keith J Wilson
(74) *Attorney, Agent, or Firm* — Ashley Law Firm P.C.;
Stephen S. Ashley, Jr.

(57) **CLAIM**

I claim the ornamental design for a watering can, as shown and described.

(56) **References Cited**

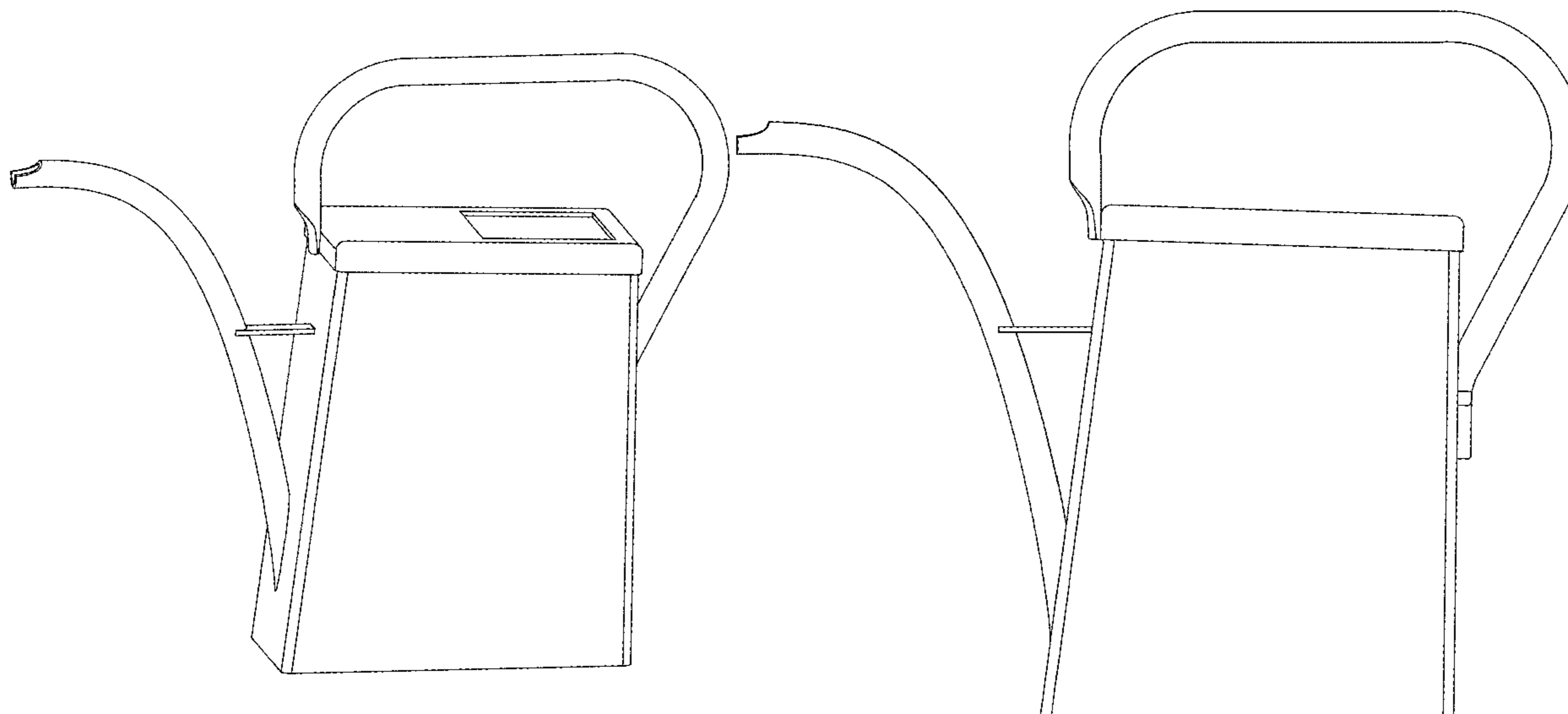
U.S. PATENT DOCUMENTS

D314,810 S * 2/1991 Carlson D23/212
D318,095 S * 7/1991 Hankammer D23/212
D320,431 S * 10/1991 Mattei D23/212
D325,768 S * 4/1992 Hankammer D23/212
D375,139 S * 10/1996 Thorp D23/212
D425,602 S * 5/2000 Koziol D23/212
D447,788 S * 9/2001 Rosenberg D23/212
D468,799 S * 1/2003 Kortleven D23/212
D486,553 S * 2/2004 Tremblay D23/212
D552,211 S 10/2007 Toyohara
D570,445 S * 6/2008 Sellers D23/212
D575,845 S 8/2008 Lobermeier
D594,928 S 6/2009 Beschi

DESCRIPTION

FIG. 1 is a perspective view of the invention;
FIG. 2 is a left side view of the invention; the right side view is a mirror image of the left side view;
FIG. 3 is a top plan view of the invention;
FIG. 4 is a rear elevation of the invention;
FIG. 5 is a front elevation of the invention; and,
FIG. 6 is a bottom plan view of the invention.
Portions of the drawings shown in broken lines show portions of a watering can and form no part of the claimed design.

1 Claim, 6 Drawing Sheets



(56)

References Cited

OTHER PUBLICATIONS

Bosmere Plastic Outdoor Watering Can, 2.6-Gallon, Jun. 25, 2013, pdavidn.com, Jul. 24, 2021. URL: https://www.pdavidn.com/index.php?main_page=product_info&products_id=792737 (Year: 2013).*

Time Concept Classical Metal Watering Can—2.3-Liter Water, Feb. 10, 2019, Amazon.com, URL: <https://www.amazon.com/Time-Concept-Classical-Metal-Watering/dp/B07NMG7RP4> (Year: 2019).*

* cited by examiner

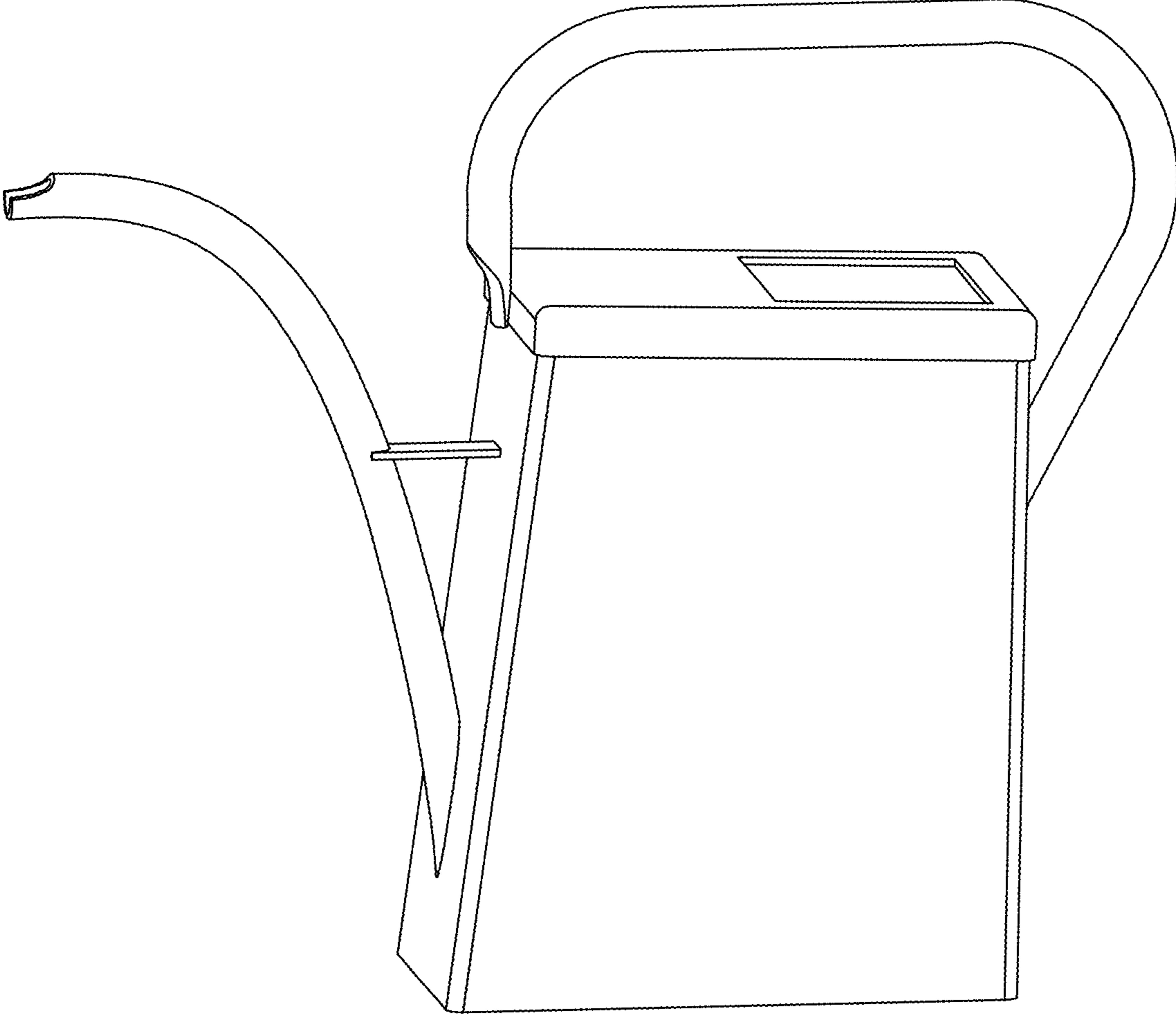


FIG. 1

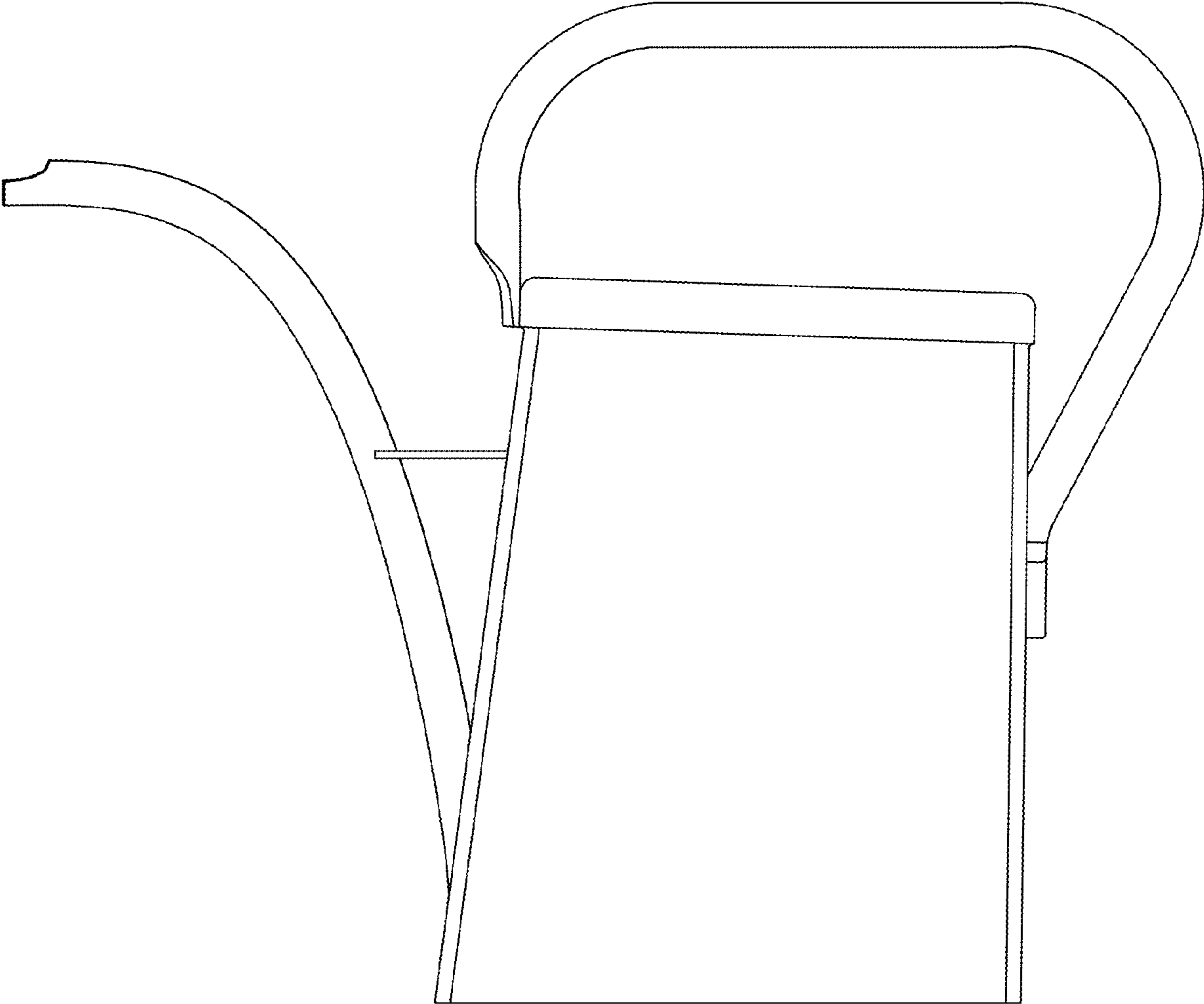


FIG. 2

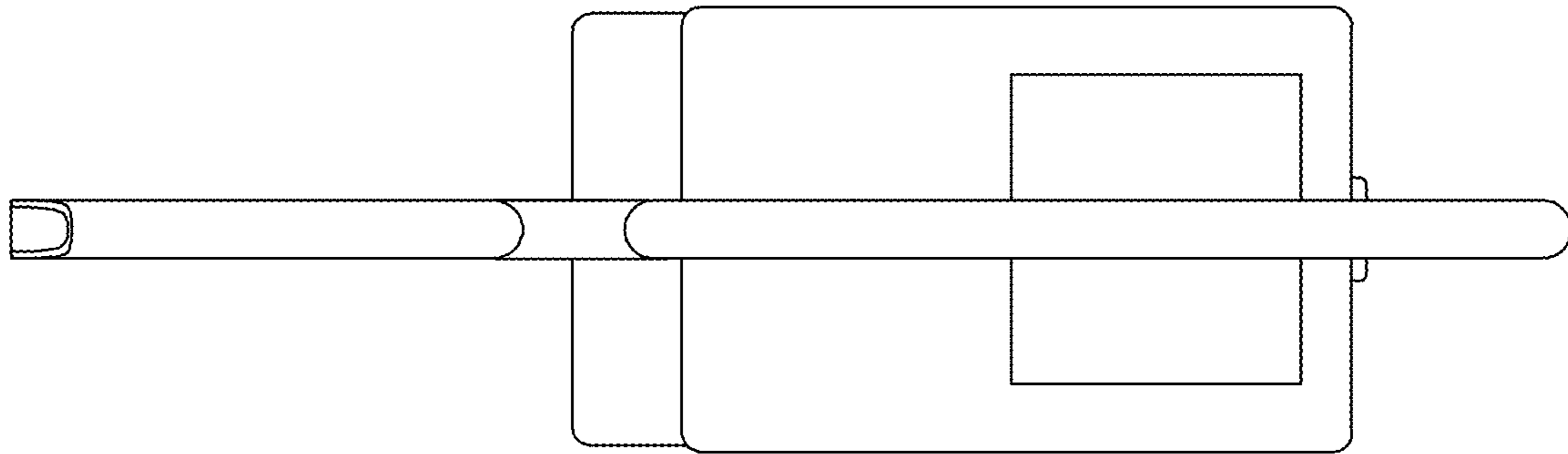


FIG. 3

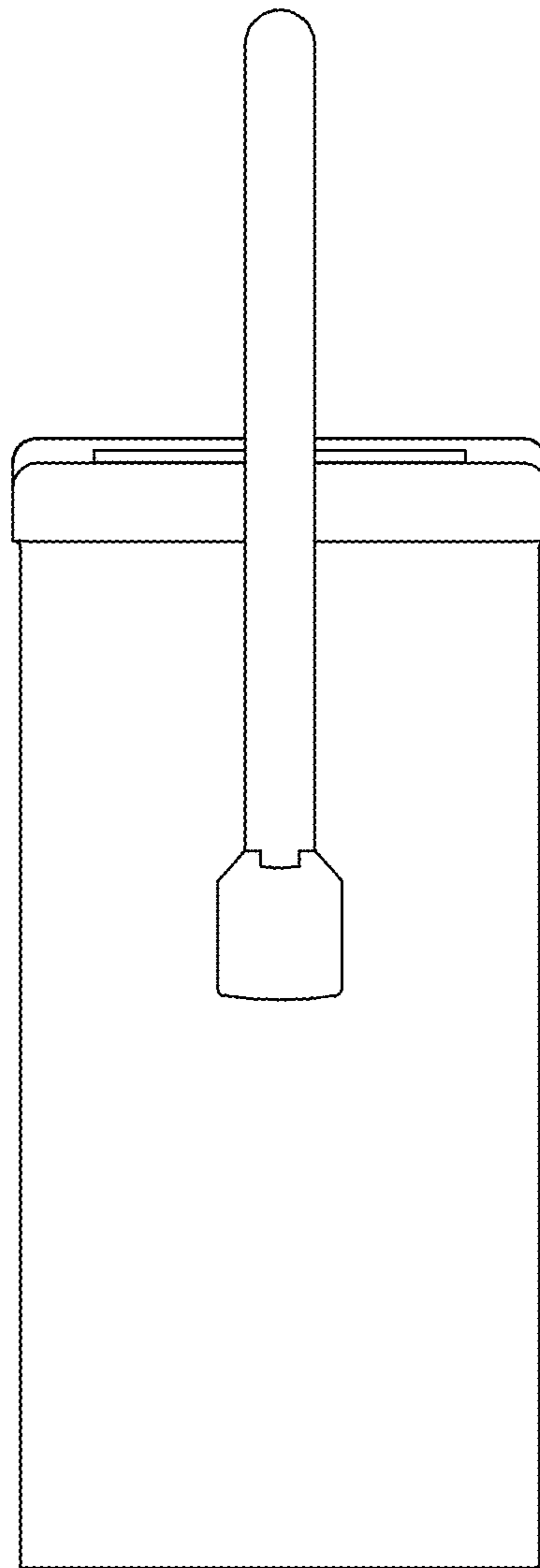


FIG. 4

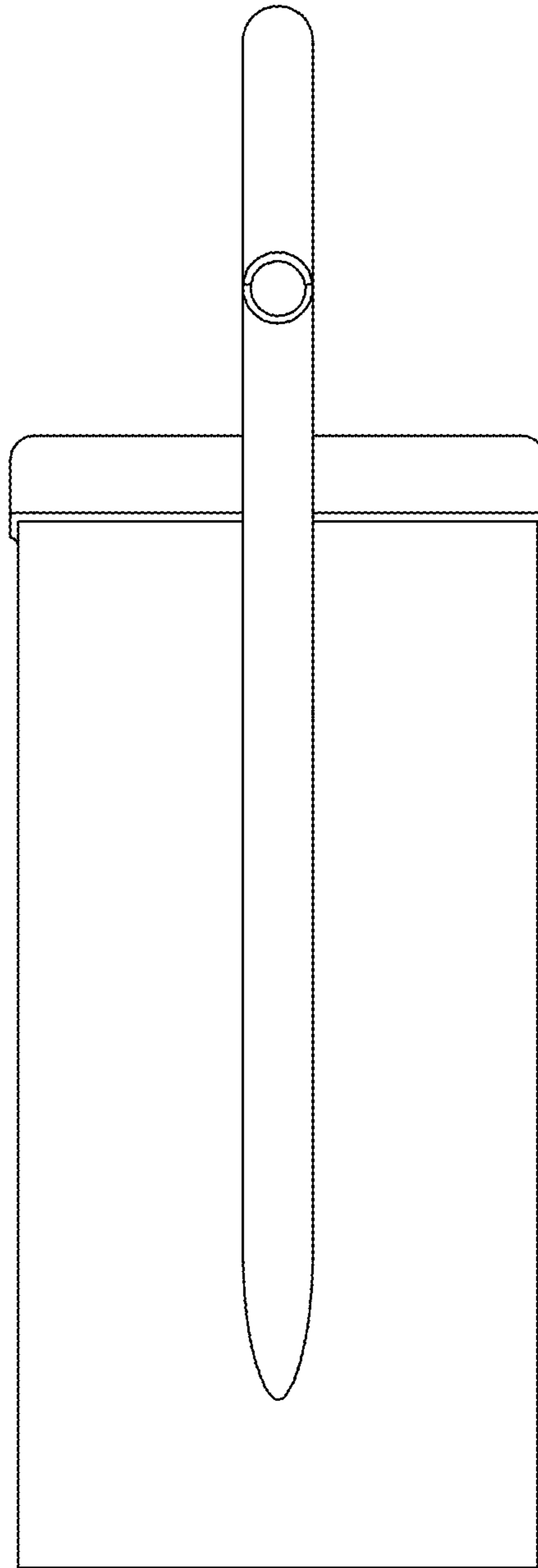


FIG. 5

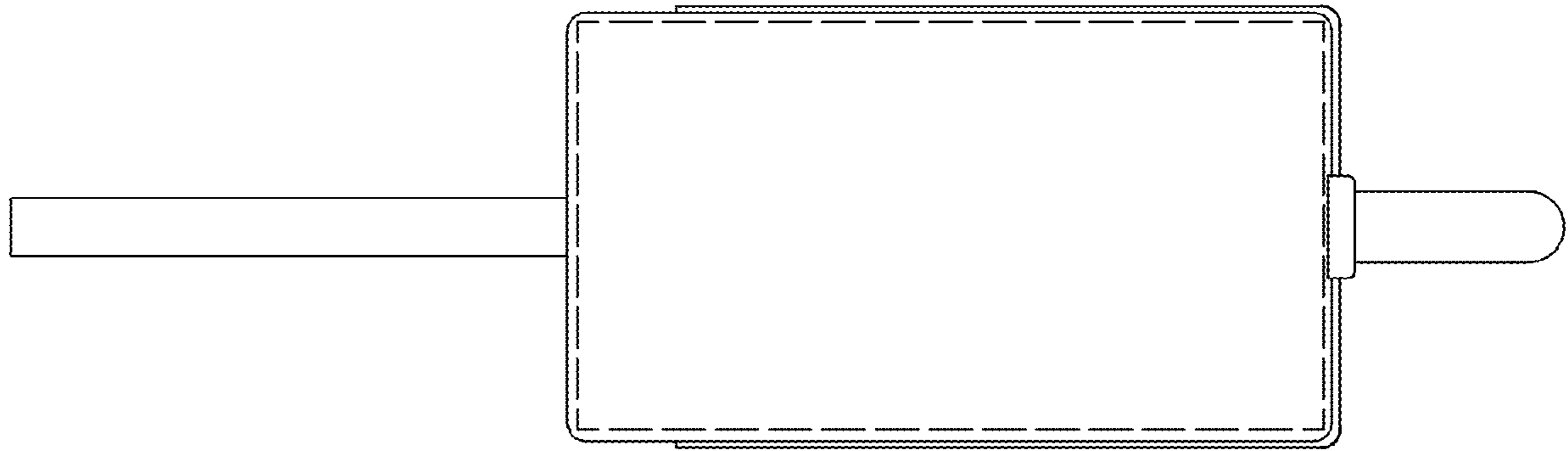


FIG. 6