



US00D936781S

(12) **United States Design Patent** (10) **Patent No.:** **US D936,781 S**
Ondo et al. (45) **Date of Patent:** **** Nov. 23, 2021**

(54) **APPARATUS FOR GAS DISTRIBUTION** 3,943,791 A * 3/1976 Casey F16K 31/44
74/471 XY
(71) Applicant: **L’Air Liquide, Société Anonyme pour** 4,662,399 A * 5/1987 Buchner F16K 11/022
l’Etude et l’Exploitation des Procédés 137/625.17
Georges Claude, Paris (FR) D450,533 S * 11/2001 Bellon D7/398
D615,617 S * 5/2010 Hutton D23/233
(72) Inventors: **Olivier Ondo, Palaiseau (FR);** D749,193 S * 2/2016 Beal D23/233
Stéphane Etienne, Draveil (FR); D832,038 S * 10/2018 Lin D7/398
Alexandre Vanghelder, Evreux (FR); D850,588 S * 6/2019 Tanghetti D23/238
Antoine Gibert, Vincennes (FR); D860,723 S * 9/2019 Gallagher D7/398
Gullaume Plaisant, Malakoff (FR);
Renaud Ligonesche, Herblay (FR);
Romuald De Potter, Taverny (FR)

* cited by examiner

Primary Examiner — Gino Colan

(74) Attorney, Agent, or Firm — Allen E. White

(73) Assignee: **L’Air Liquide, Société Anonyme pour**
l’Etude et l’Exploitation des Procédés
Georges Claude, Paris (FR)

(57) **CLAIM**

(**) Term: **15 Years**

The ornamental design for an apparatus for gas distribution, as shown and described.

(21) Appl. No.: **29/677,710**

(22) Filed: **Jan. 23, 2019**

DESCRIPTION

(30) **Foreign Application Priority Data**

Jul. 25, 2018 (WO) 74253
Sep. 27, 2018 (WO) 75873

(51) **LOC (13) Cl.** **23-01**

(52) **U.S. Cl.**
USPC **D23/206**

(58) **Field of Classification Search**
USPC D23/233–237, 241–250, 206; D7/398;
137/625.17, 270, 382
CPC F16K 1/36; F16K 1/42; F16K 35/10
See application file for complete search history.

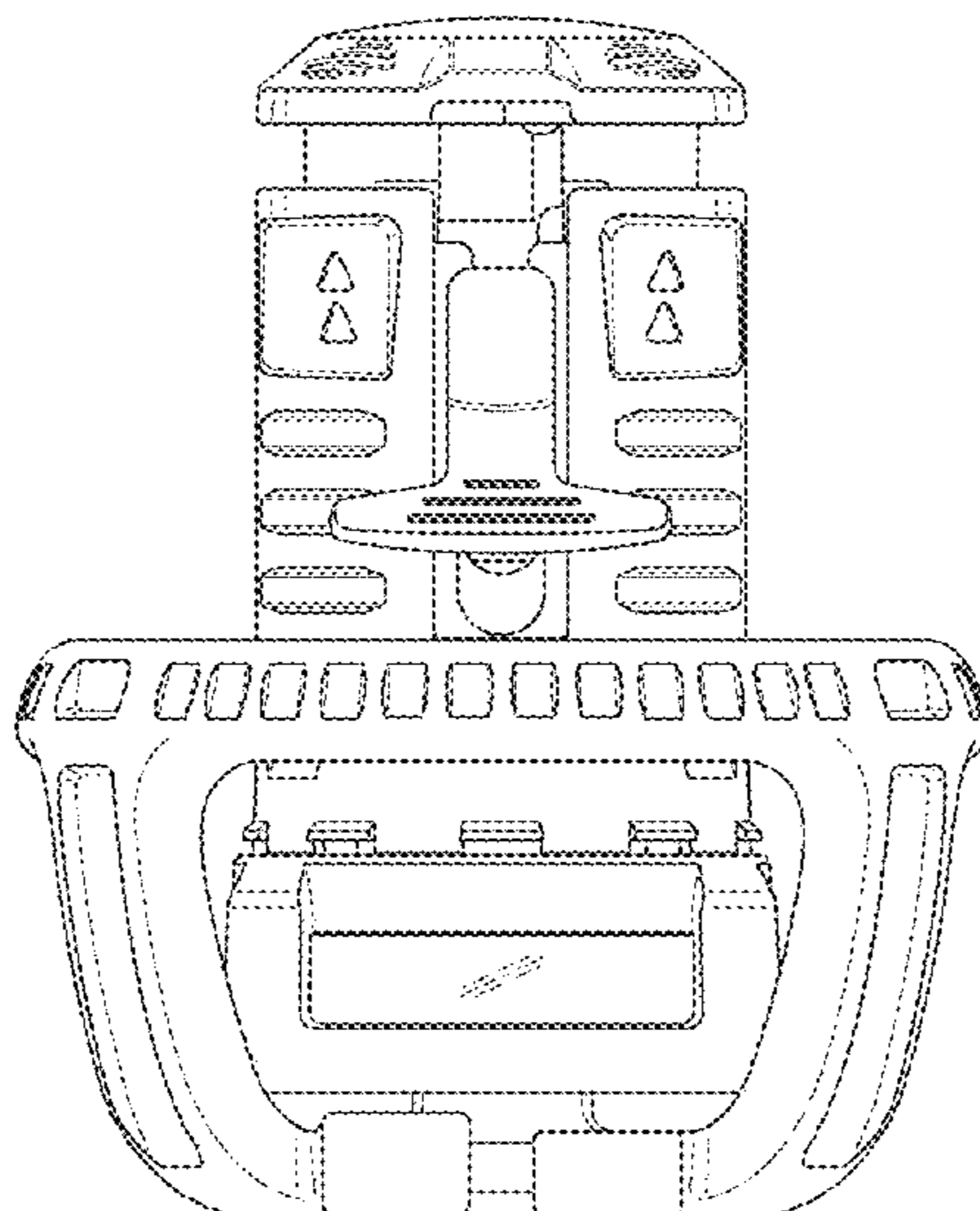
FIG. 1 is a first side view of an apparatus for gas distribution;
FIG. 2 is a second side view thereof;
FIG. 3 is a third side view thereof;
FIG. 4 is a fourth side view thereof;
FIG. 5 is a top side view thereof;
FIG. 6 is a bottom side view thereof;
FIG. 7 is a first isometric view thereof;
FIG. 8 is a second isometric view thereof;
FIG. 9 is a third isometric view thereof;
FIG. 10 is a fifth side view thereof;
FIG. 11 is a third isometric view thereof;
FIG. 12 is a fourth isometric view thereof;
FIG. 13 is a sixth side view thereof;
FIG. 14 is a seventh side view thereof;
FIG. 15 is a second top side view thereof;
FIG. 16 is a second bottom side view thereof; and,
FIG. 17 is a fourth isometric view thereof.

(56) **References Cited**

U.S. PATENT DOCUMENTS

2,612,905 A * 10/1952 Willson B67D 7/52
137/382
3,677,281 A * 7/1972 Tennis F16K 31/465
137/270

1 Claim, 9 Drawing Sheets



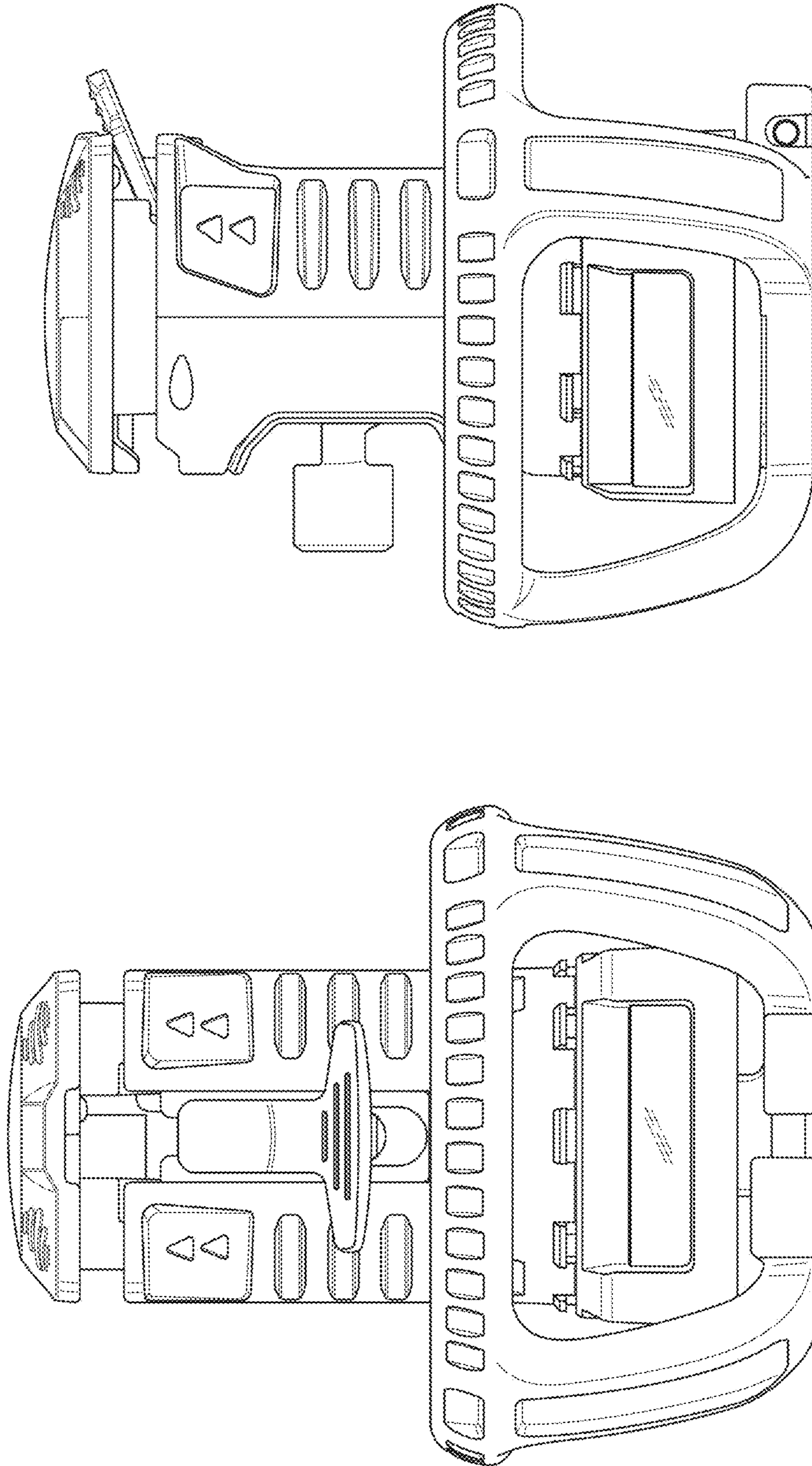


FIG. 2

FIG. 1

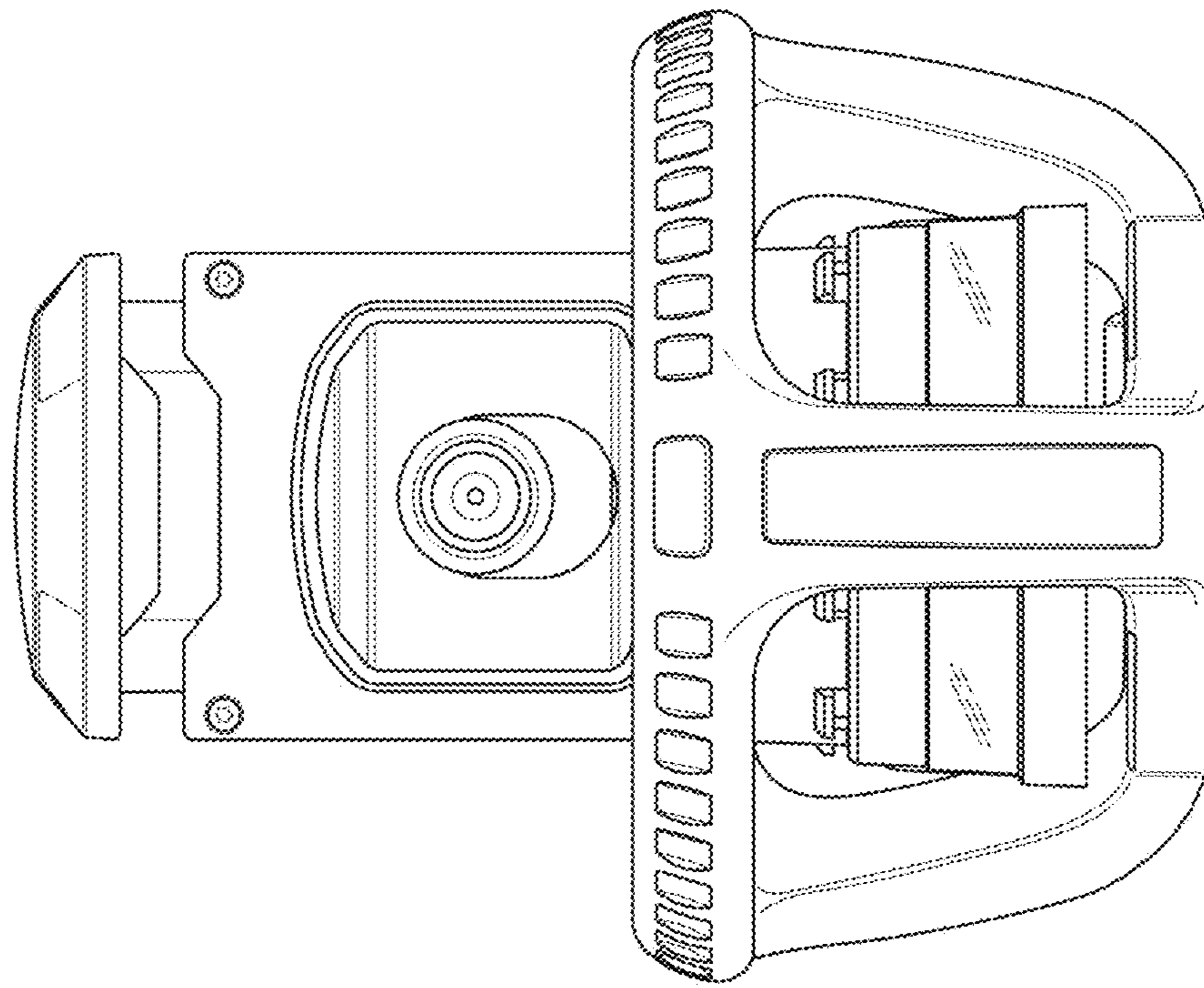


FIG. 4

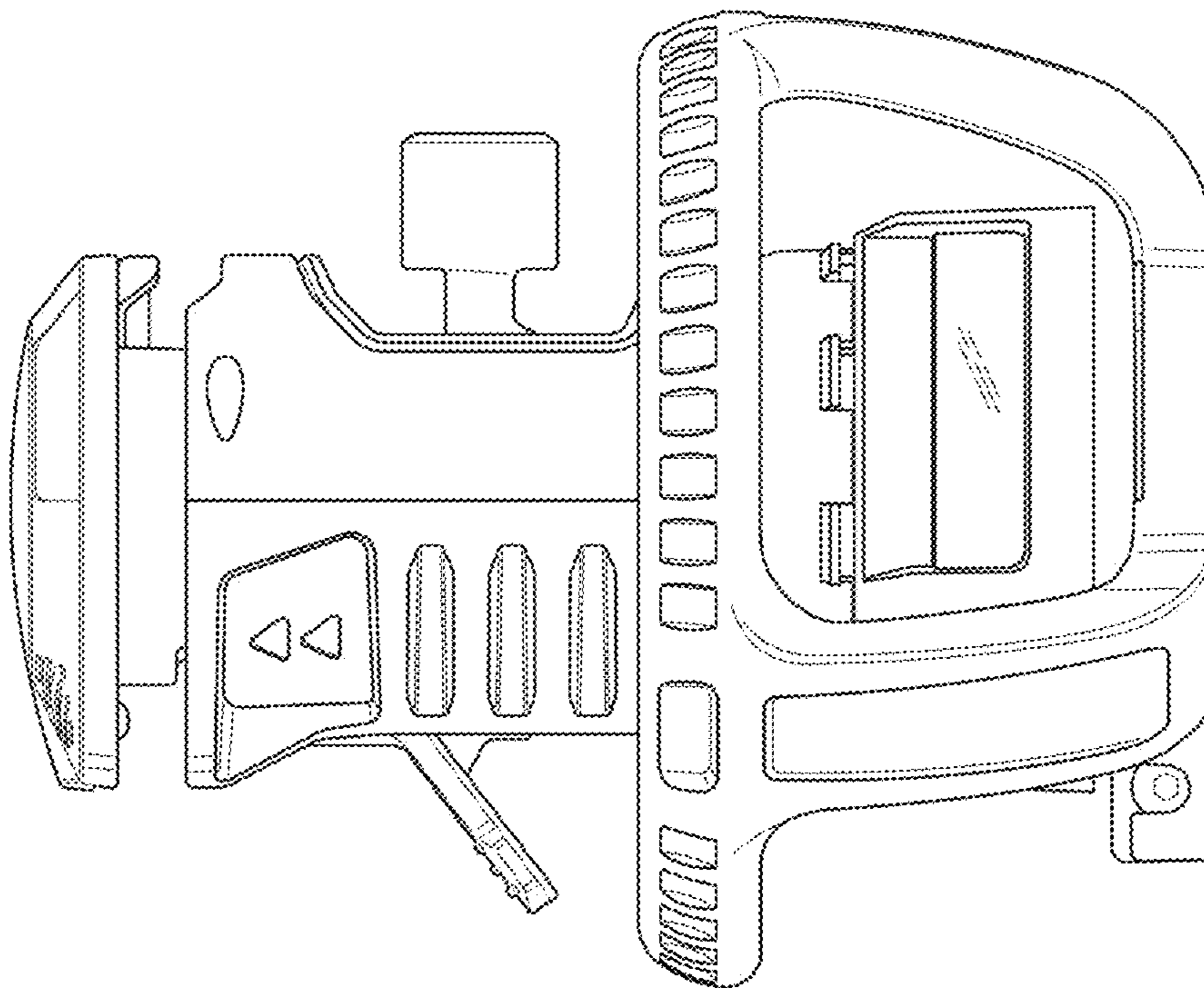


FIG. 3

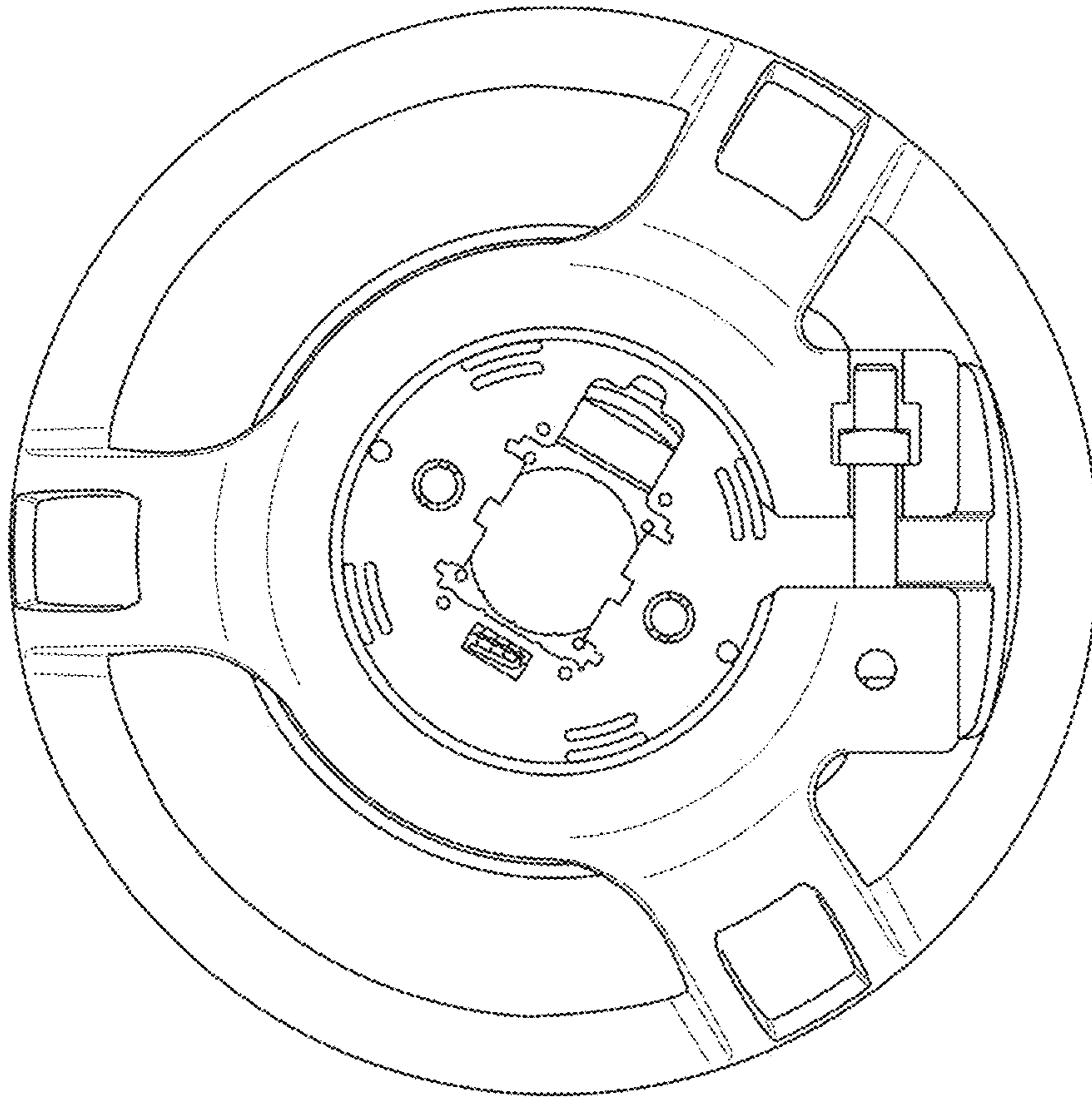


FIG. 6

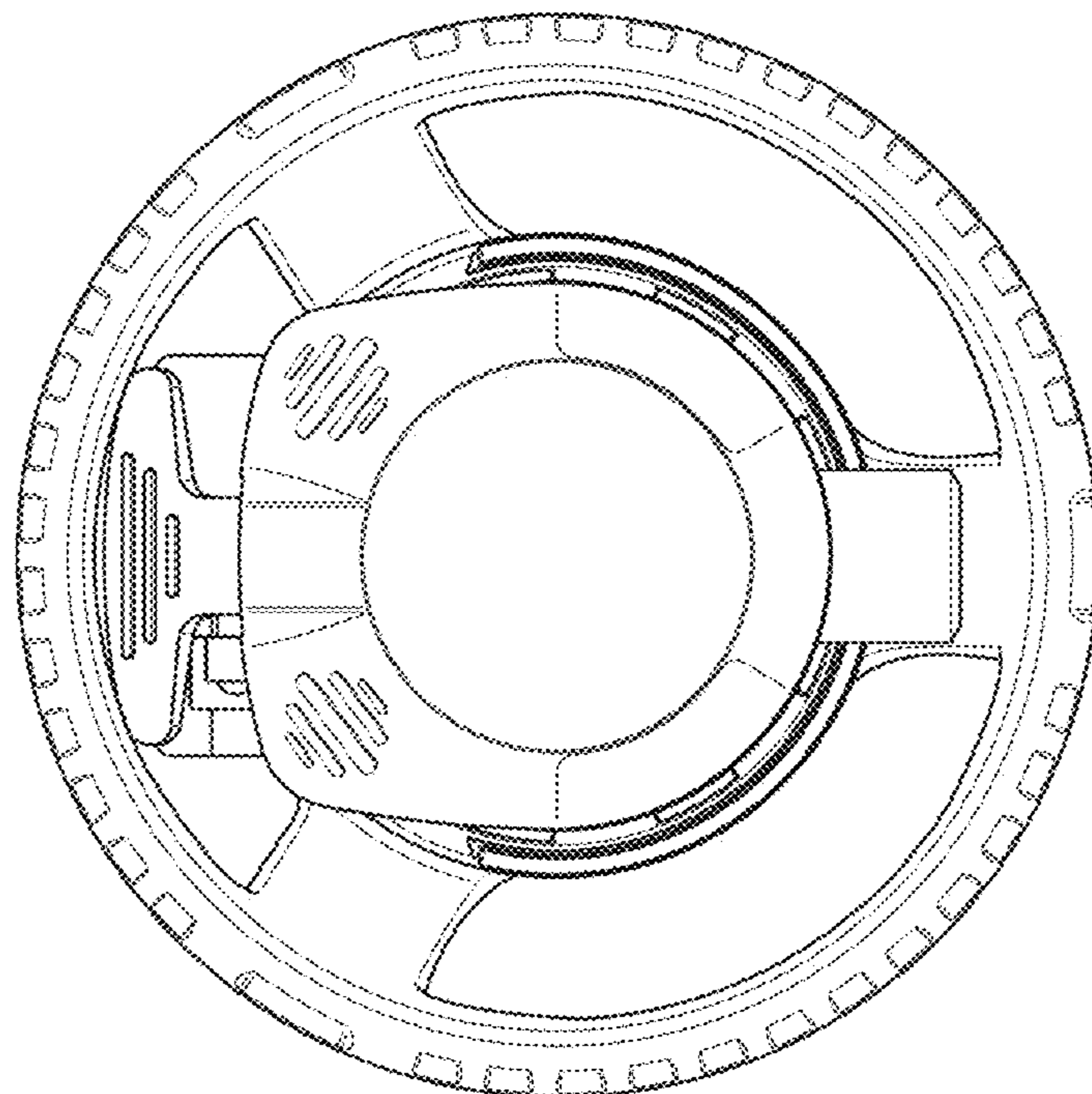


FIG. 5

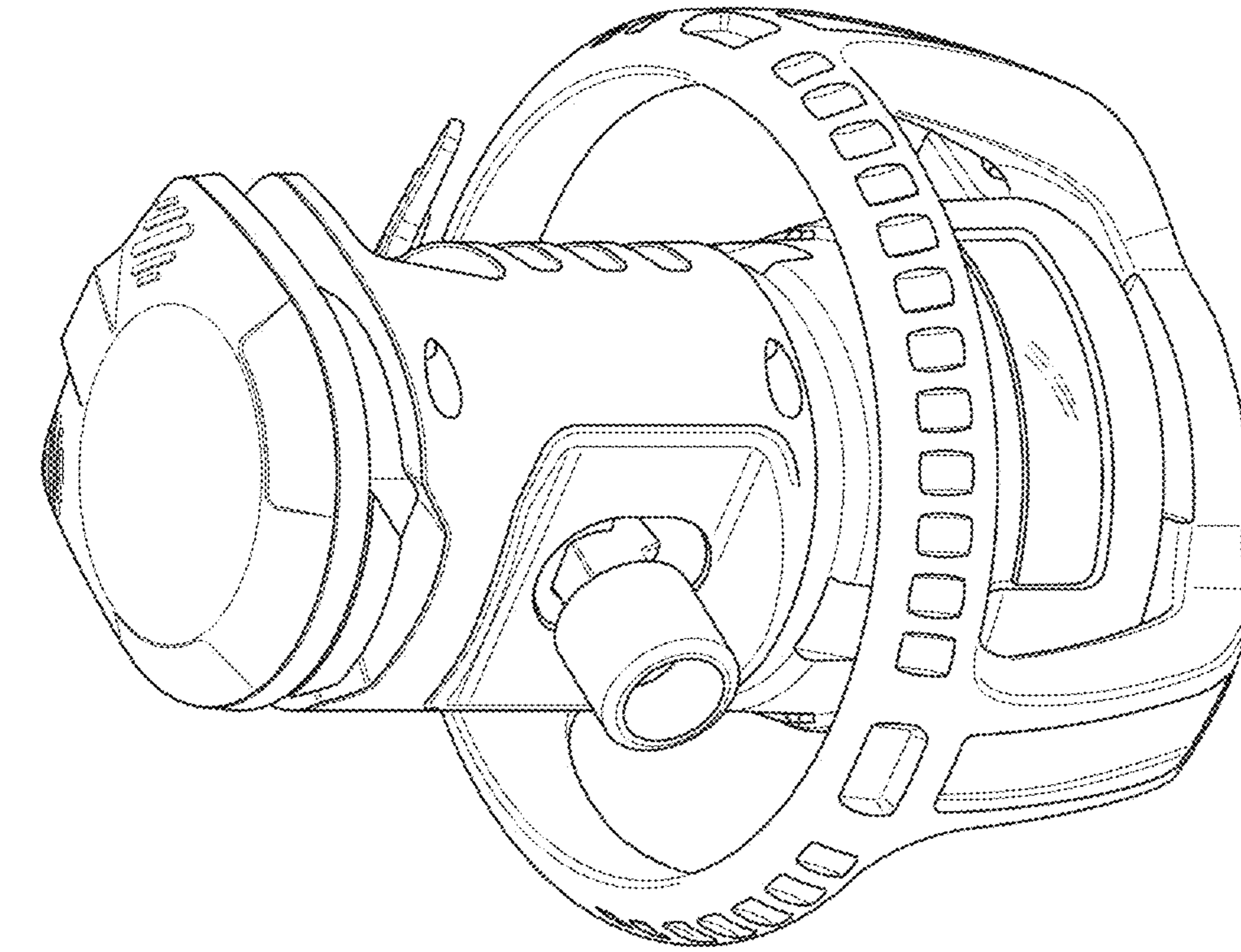


FIG. 8

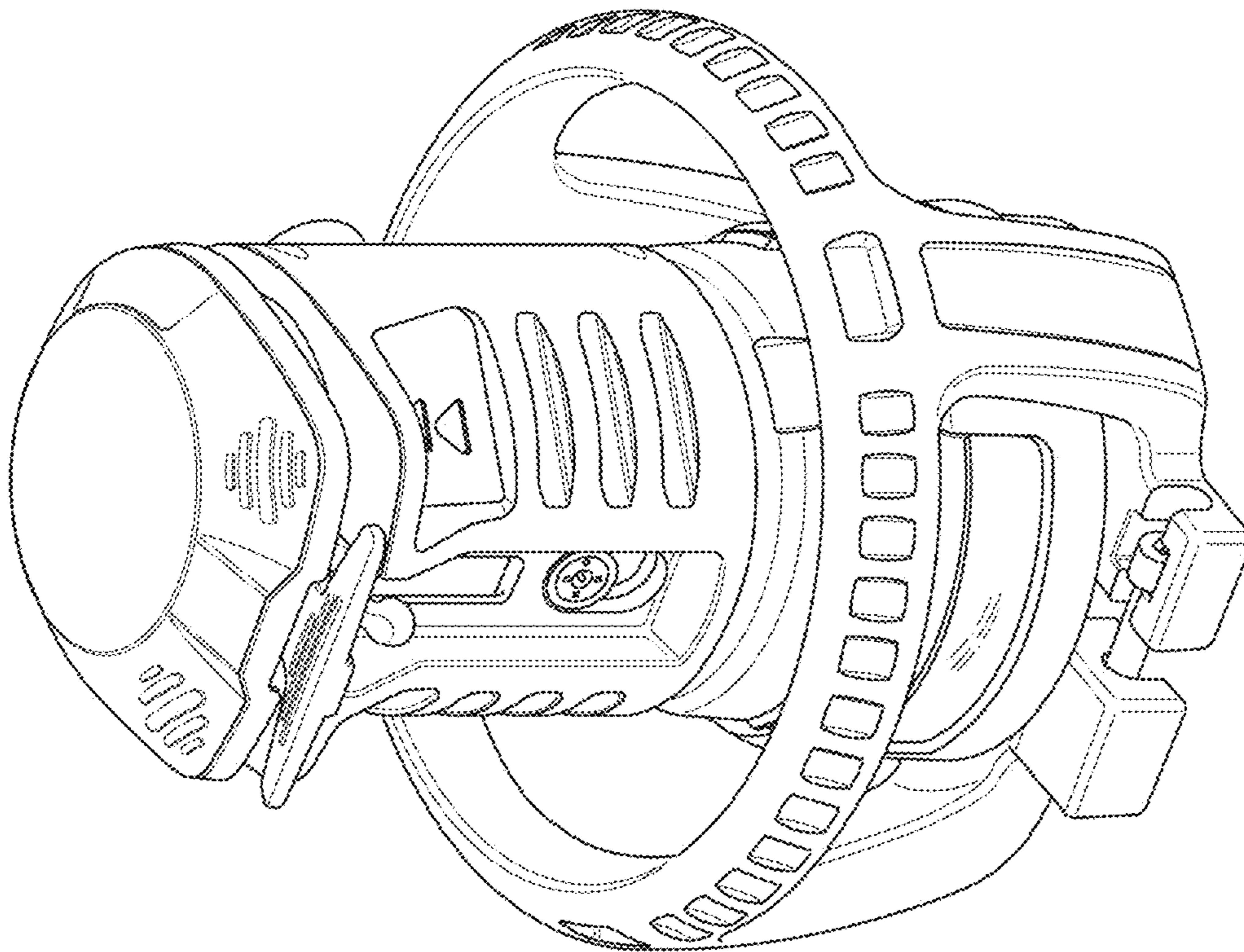


FIG. 7

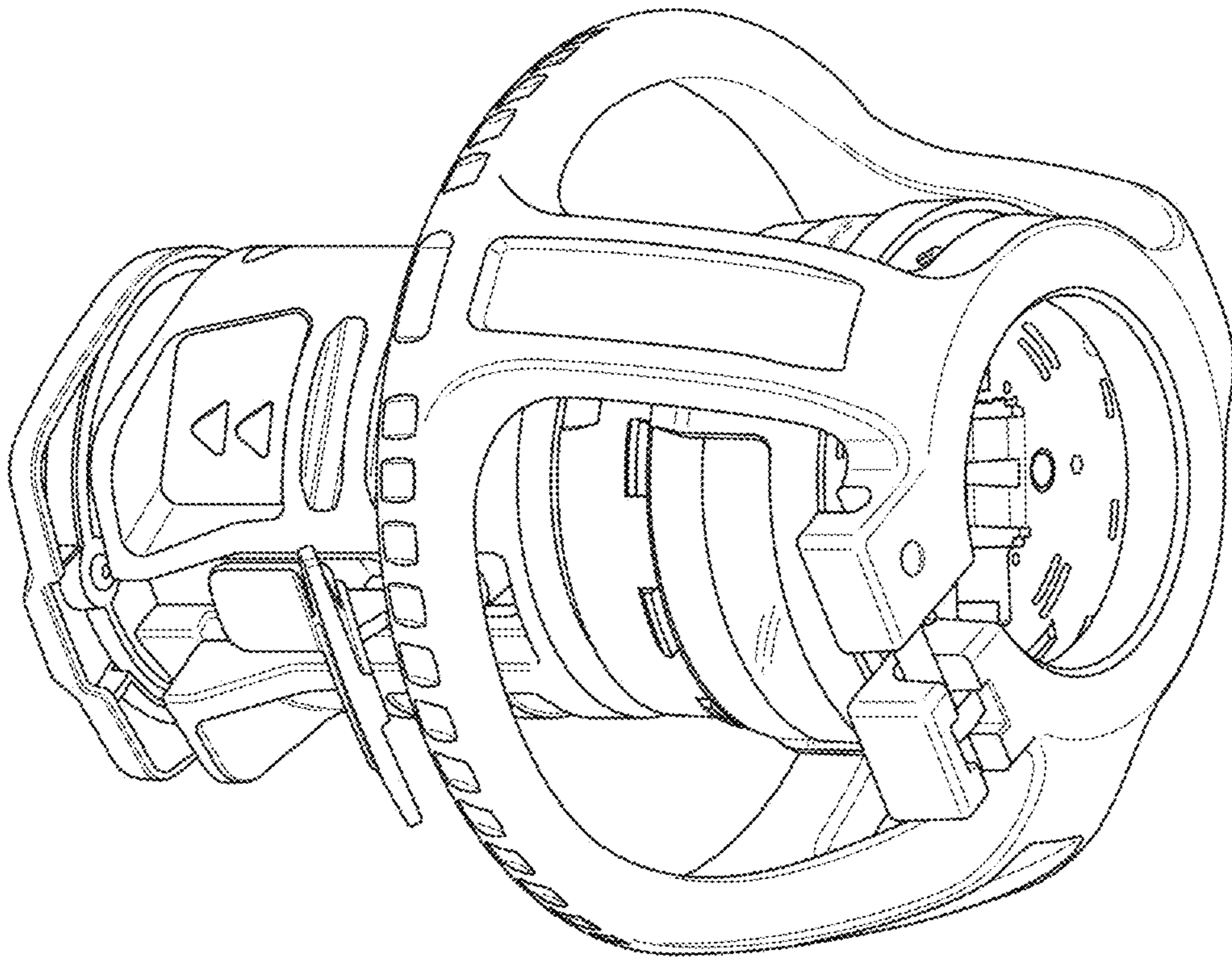


FIG. 9

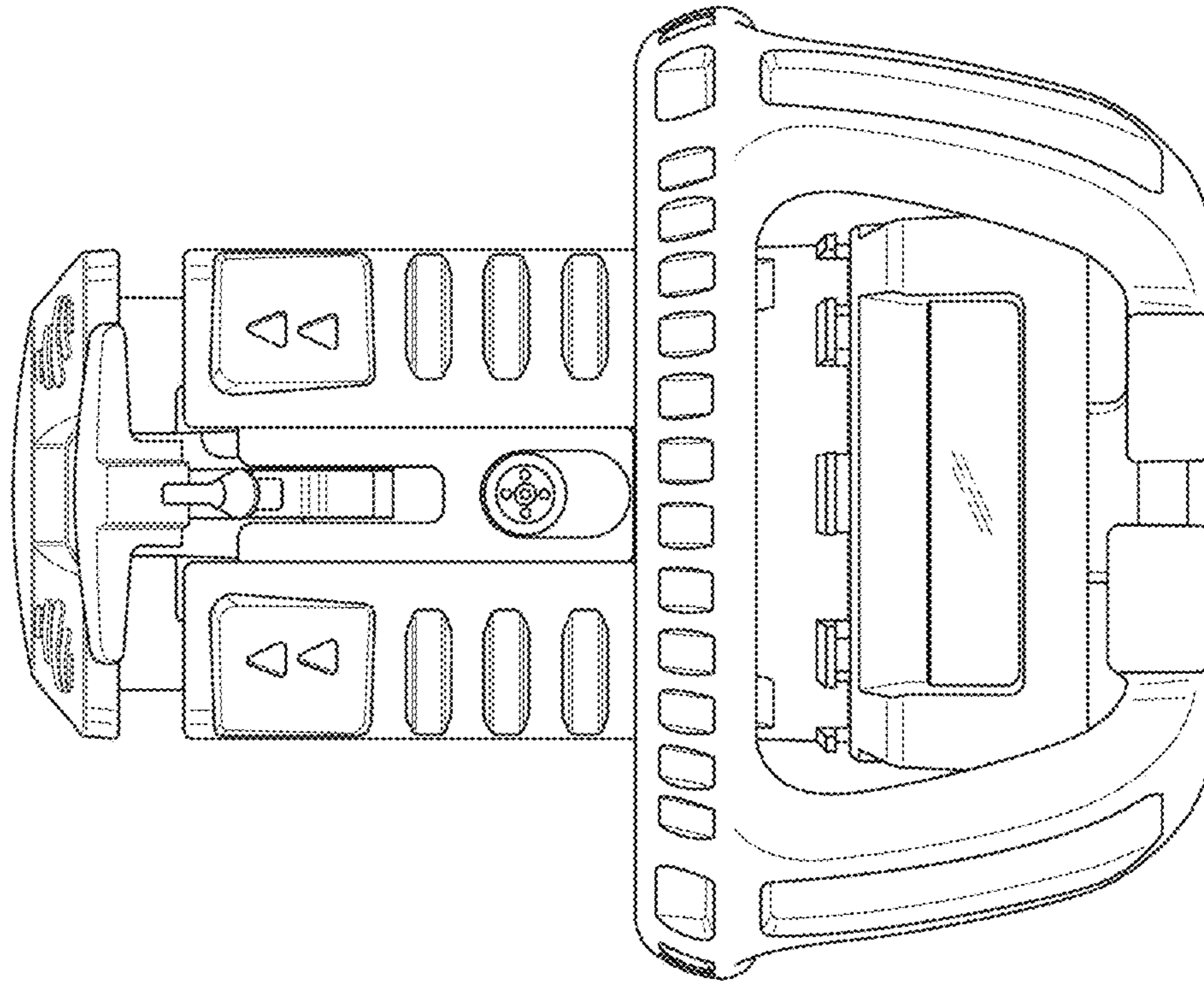


FIG. 10

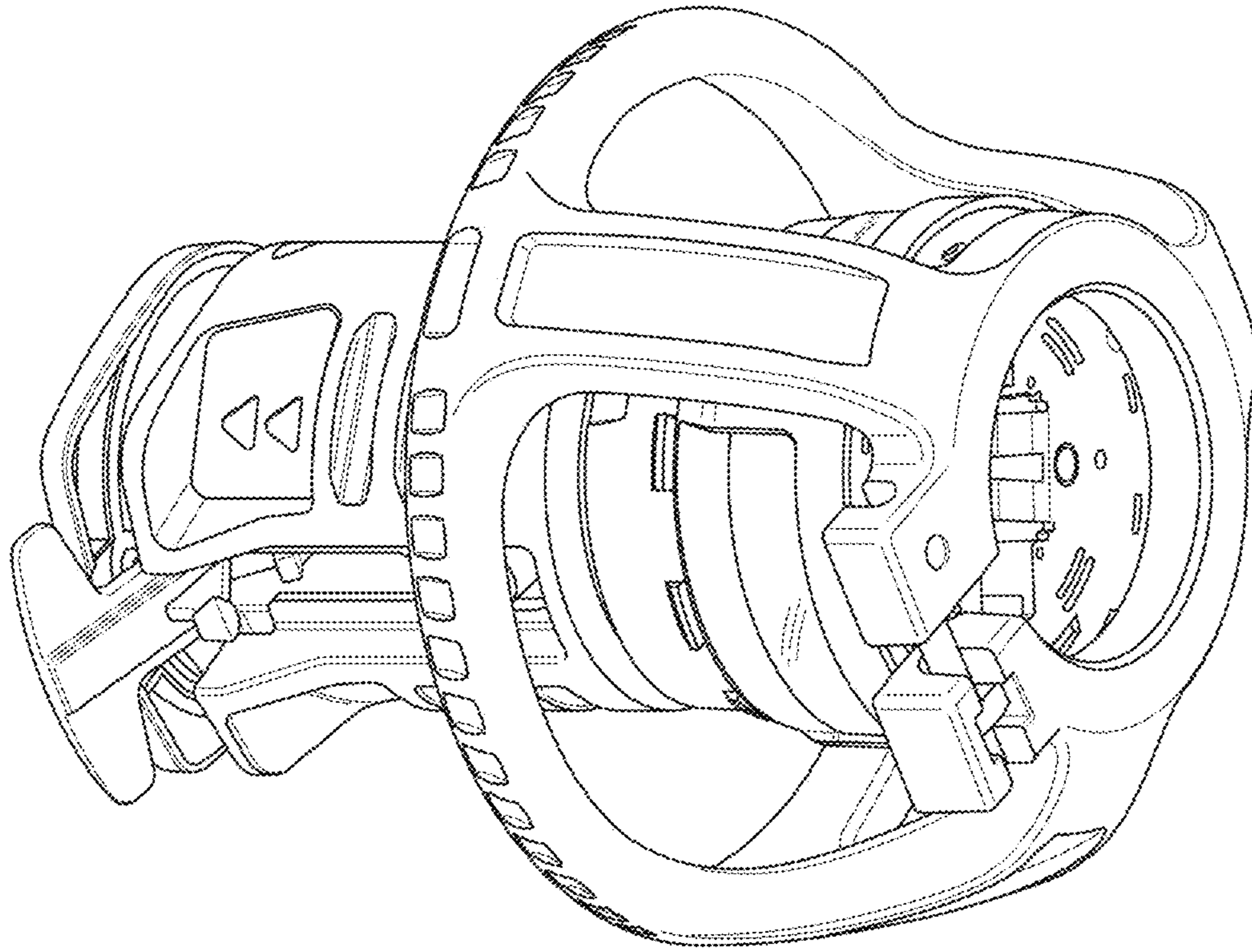


FIG. 12

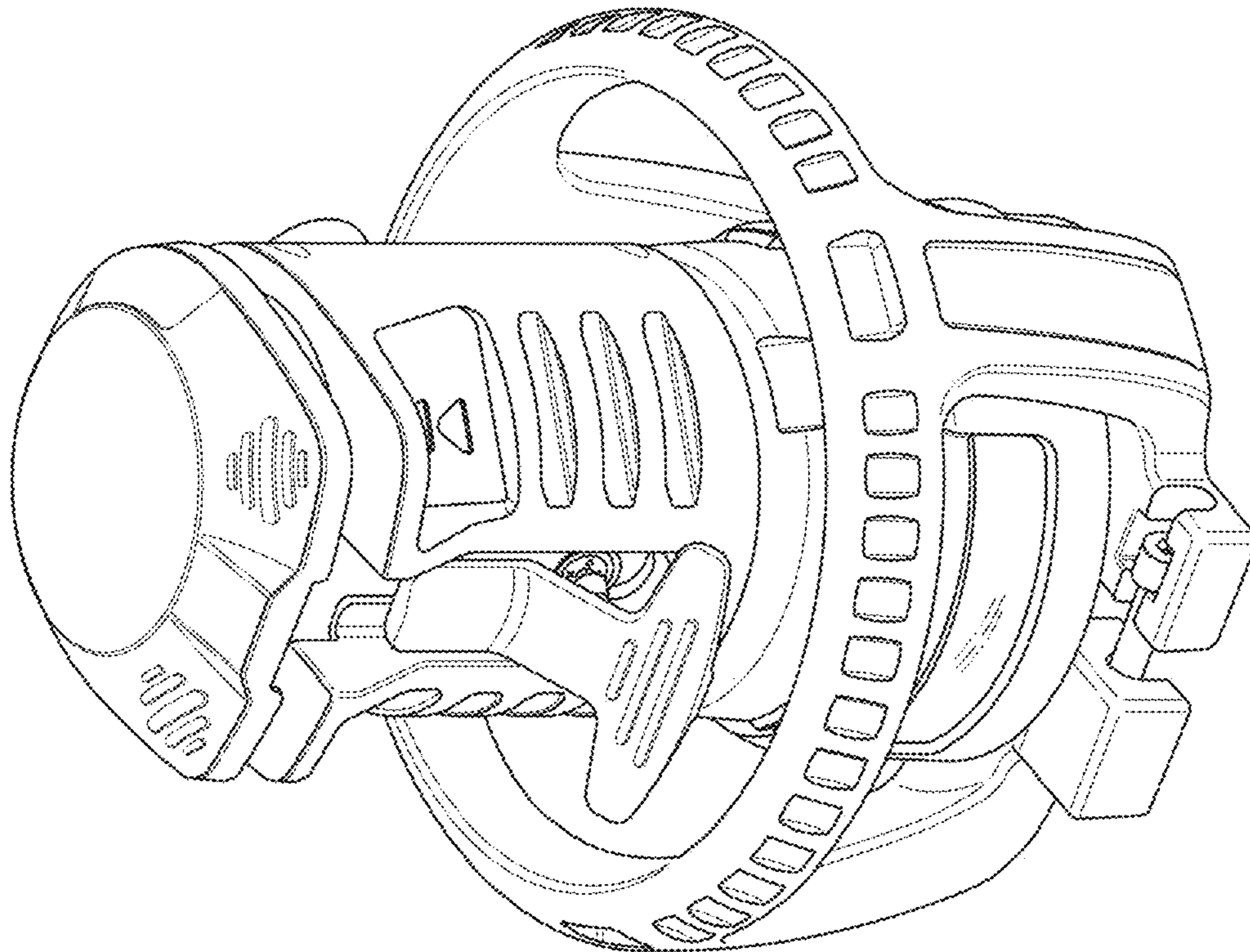


FIG. 11

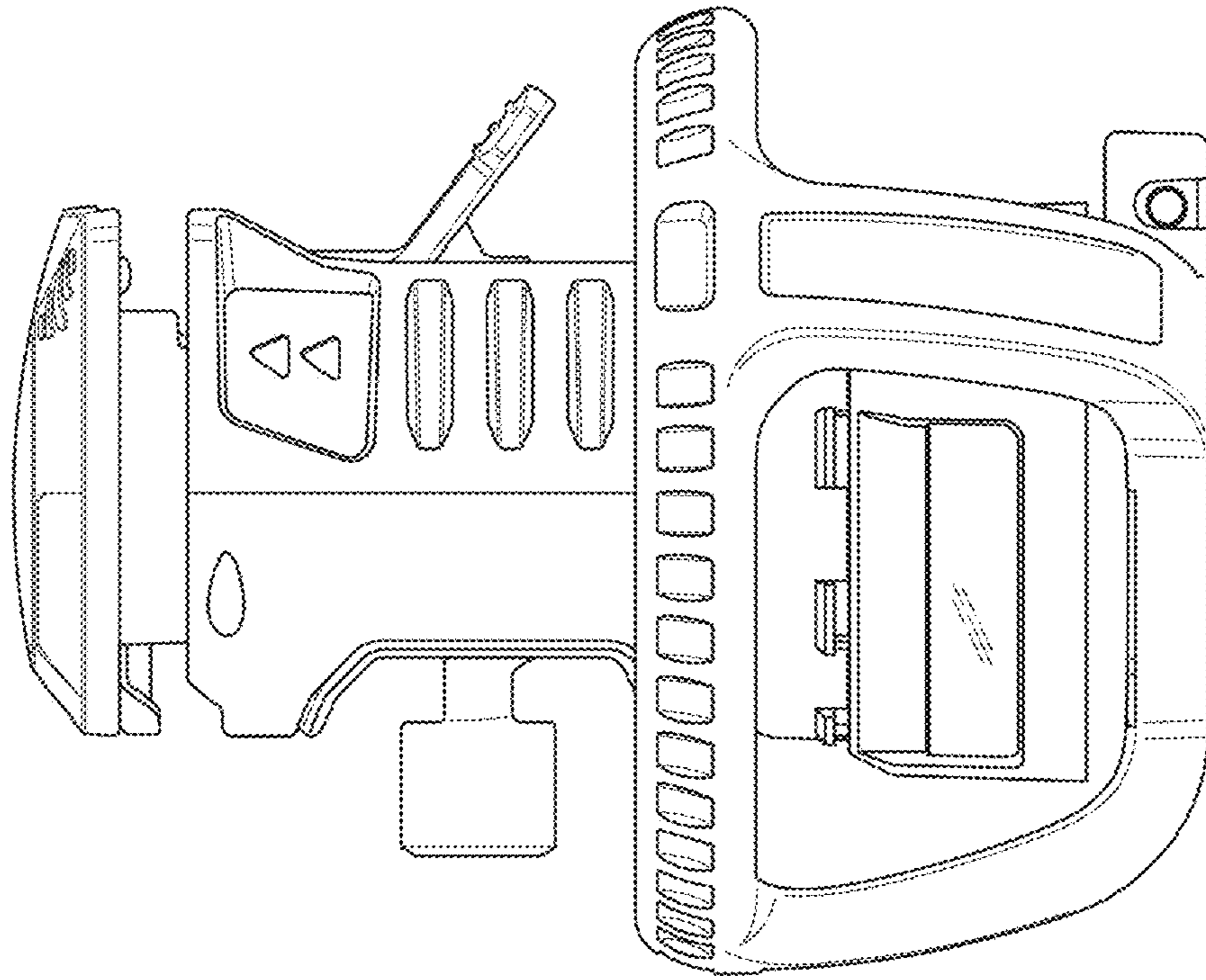


FIG. 13

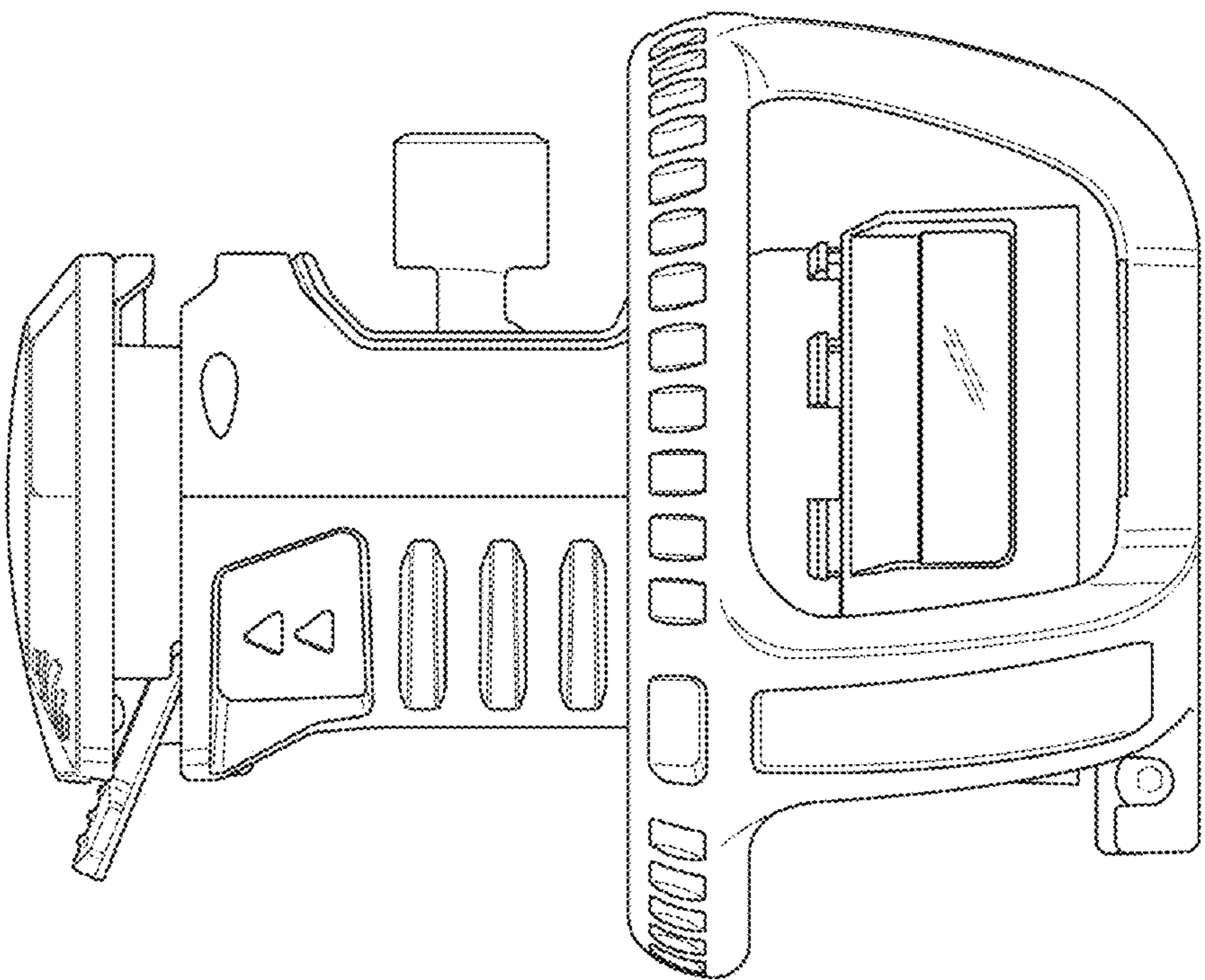


FIG. 14

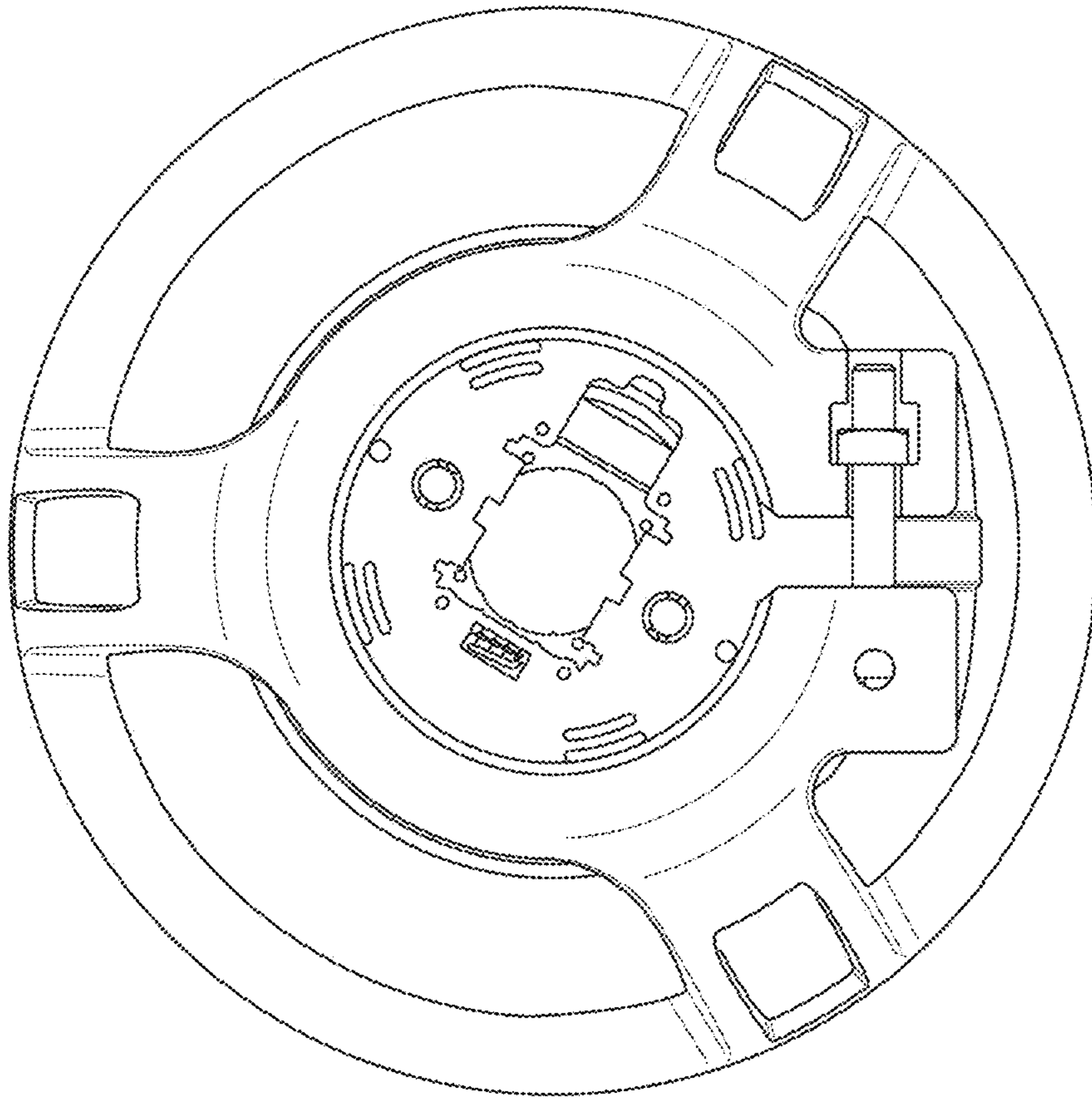


FIG. 16

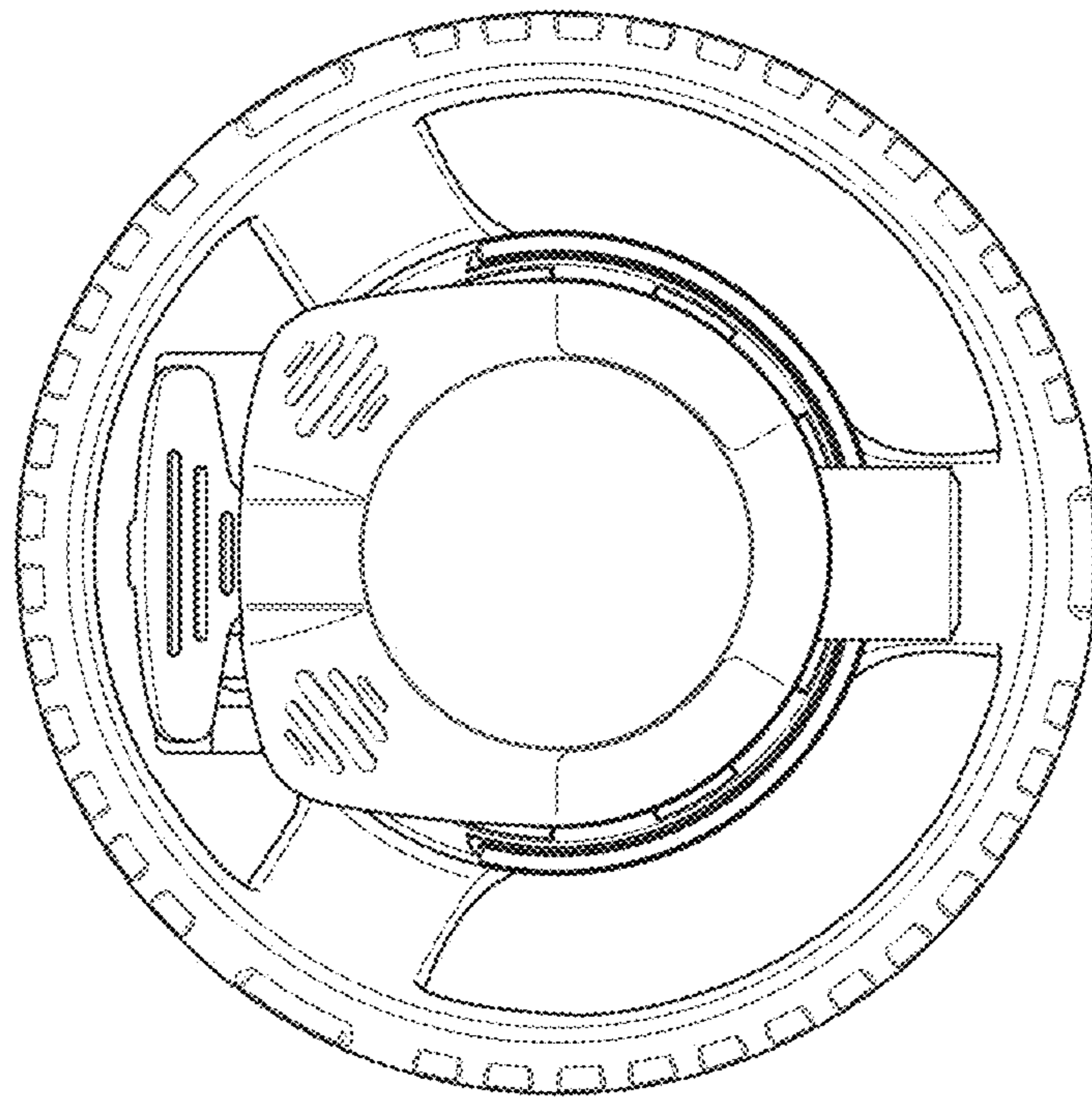


FIG. 15

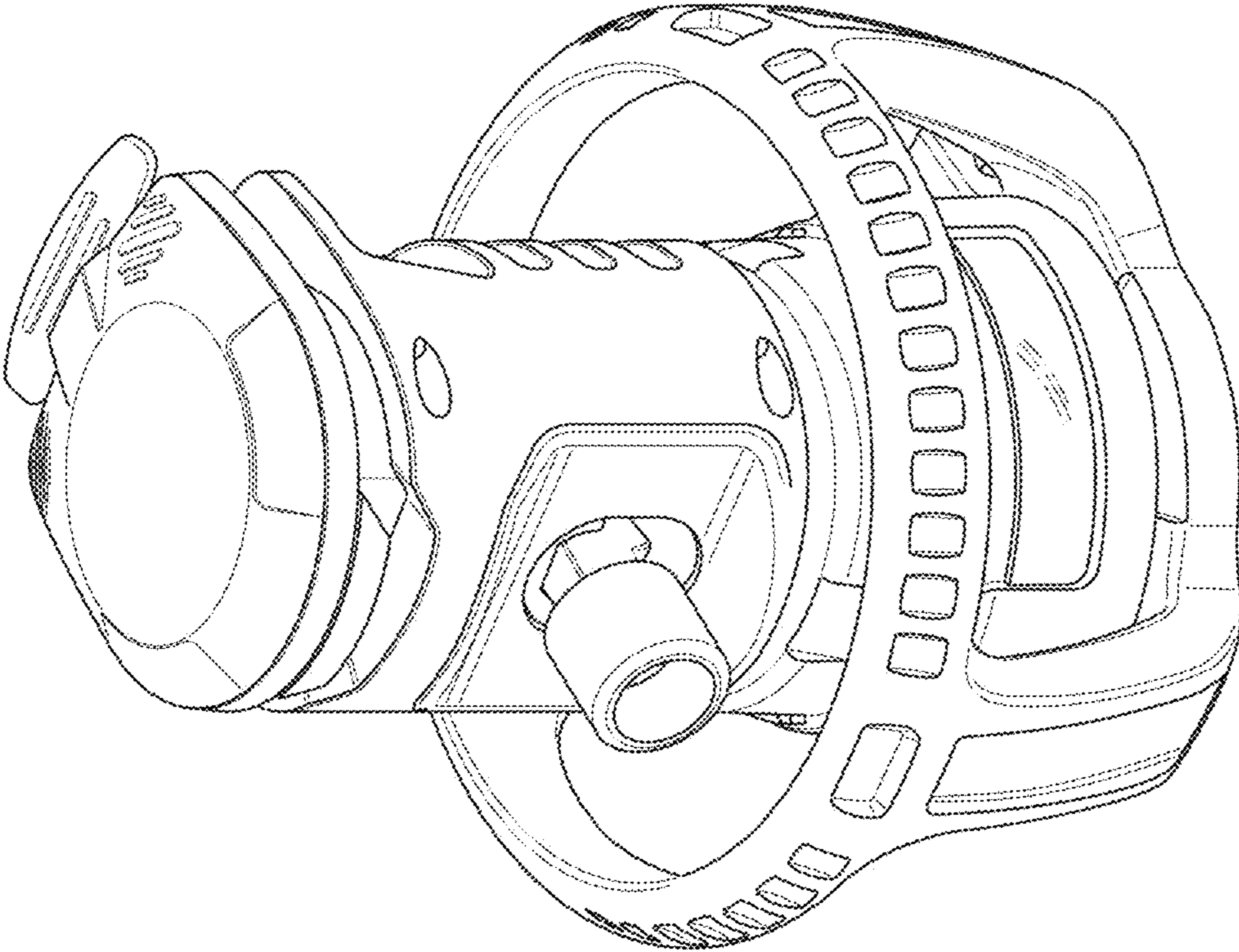


FIG. 17

UNITED STATES PATENT AND TRADEMARK OFFICE
CERTIFICATE OF CORRECTION


PATENT NO. : D936,781 S
APPLICATION NO. : 29/677710
DATED : November 23, 2021
INVENTOR(S) : Olivier Ondo et al.

Page 1 of 1

It is certified that error appears in the above-identified patent and that said Letters Patent is hereby corrected as shown below:

On the Title Page

Item (72), replace "Gullaume" with --Guillaume--.

Signed and Sealed this
Twelfth Day of November, 2024

Katherine Kelly Vidal
Director of the United States Patent and Trademark Office