



US00D936780S

(12) **United States Design Patent** (10) **Patent No.:** **US D936,780 S**
Miles (45) **Date of Patent:** **** *Nov. 23, 2021**

(54) **PROP BLADE-DRIVEN RUB SURFACE AND AGITATED RATTLE CHAMBER PROVISIONS FOR A BUZZ BAIT**

Primary Examiner — Catherine R Oliver-Garcia

(71) Applicant: **James Miles**, Berryville, AR (US)

(57) **CLAIM**

The ornamental design for a prop blade-driven rub surface and agitated rattle chamber provisions for a buzz bait, as shown and described.

(72) Inventor: **James Miles**, Berryville, AR (US)

(*) Notice: This patent is subject to a terminal disclaimer.

DESCRIPTION

(**) Term: **15 Years**

(21) Appl. No.: **29/705,165**

(22) Filed: **Sep. 10, 2019**

(51) **LOC (13) Cl.** **22-05**

(52) **U.S. Cl.**
USPC **D22/129**

(58) **Field of Classification Search**
USPC D22/129
CPC A01K 85/10; A01K 85/00; A01K 85/16
See application file for complete search history.

FIG. 1 is a perspective view of prop blade-driven rub surface and agitated rattle chamber provisions for a buzz bait showing my new design;
FIG. 2 is an enlarged-scale perspective view of detail II-II in FIG. 1;
FIG. 3 is an enlarged-scale side elevational view thereof;
FIG. 4 is an elevational view taken in the direction of arrows IV-IV in FIG. 3;
FIG. 5 is an elevational view taken in the direction of arrows V-V in FIG. 3;
FIG. 6 is a side elevational view comparable to FIG. 3 except with the rub surfaces spread about 60° apart;
FIG. 7 is an elevational view taken in the direction of arrows VII-VII in FIG. 3;
FIG. 8 is an elevational view taken in the direction of arrows VIII-VIII in FIG. 3;
FIG. 9 is a side elevational view comparable to FIG. 3 except with an alternate embodiment for the rub surfaces;
FIG. 10 is a side elevational view comparable to FIG. 9 except with the rub surfaces spread about 60° apart;
FIG. 11 is an elevational view taken in the direction of arrows XI-XI in FIG. 9; and,
FIG. 12 is an elevational view taken in the direction of arrows XII-XII in FIG. 9.
The dash-dash-long dash lines of regular line weight immediately adjacent to shaded areas represent bounds of the claimed design. The dash-dash-long dash lines of bold line weight represent detail II-II in FIG. 1, and section lines IV-IV and V-V in FIG. 3. All other broken lines in the drawing represent environmental subject matter and/or portions of the design that form no part of the claimed design.

(56) **References Cited**

U.S. PATENT DOCUMENTS

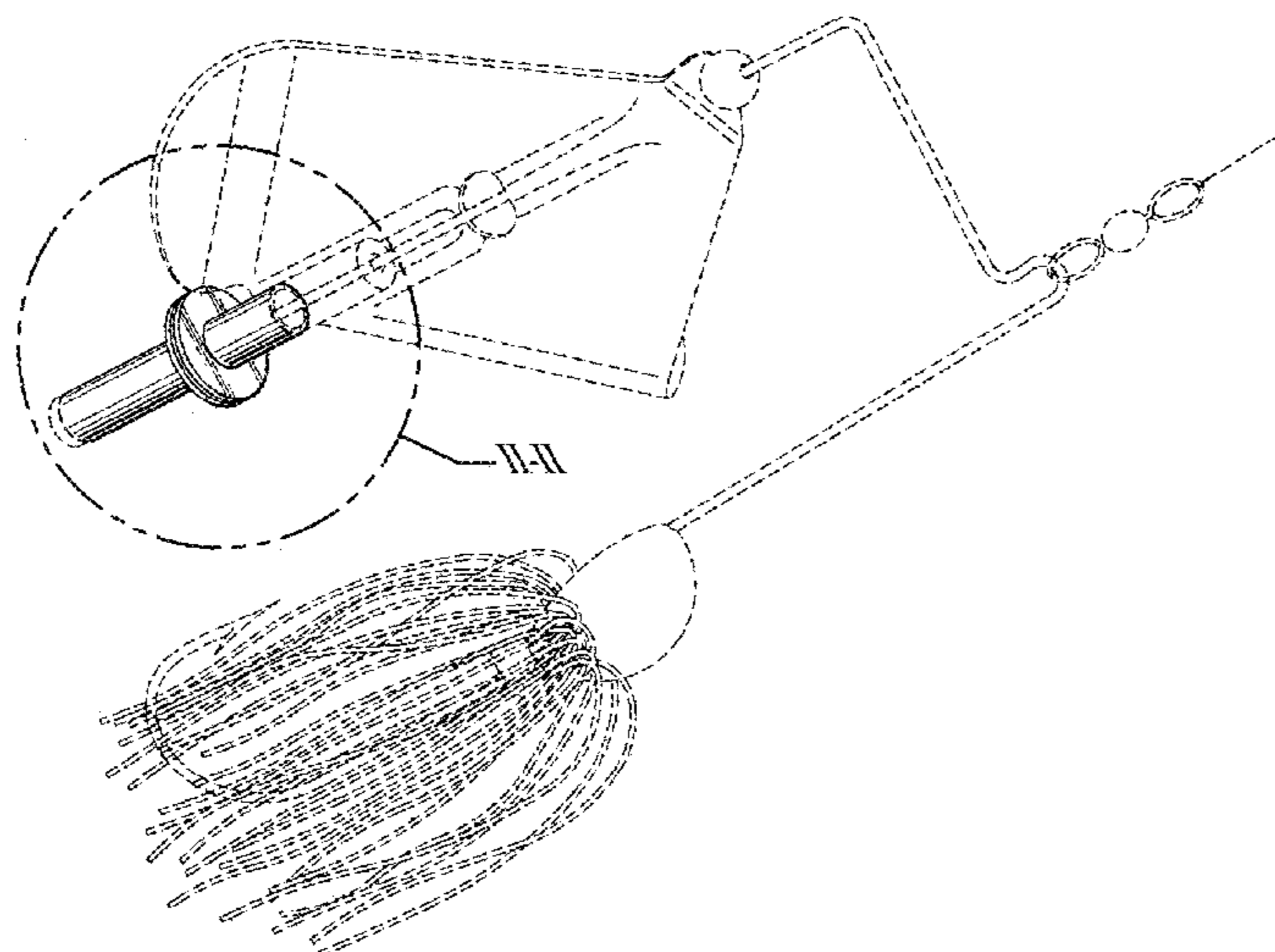
271,424 A	1/1883	Comstock	A01K 85/00
1,400,629 A	12/1921	Selleck	A01K 85/10
1,682,710 A	8/1928	Pflueger	A01K 85/10
1,731,161 A	10/1929	Farley	A01K 85/00
1,734,883 A	11/1929	Shannon	A01K 85/00
1,776,090 A	9/1930	Shroyer	A01K 85/01
2,214,668 A	9/1940	Erickson	A01K 85/10
2,475,101 A	7/1949	Kosash	A01K 85/12
3,104,486 A	9/1963	Gressard	A01K 85/10
3,112,576 A	12/1963	Tay	A01K 85/01
3,139,695 A	7/1964	Makowski	A01K 85/16
D231,659 S	5/1974	Kemp	D22/129
3,831,312 A	8/1974	Pope et al.	A01K 85/10

(Continued)

OTHER PUBLICATIONS

U.S. Trademark Registration No. 2,667,419; registered Dec. 24, 2002—design of a fishing lure.

1 Claim, 12 Drawing Sheets

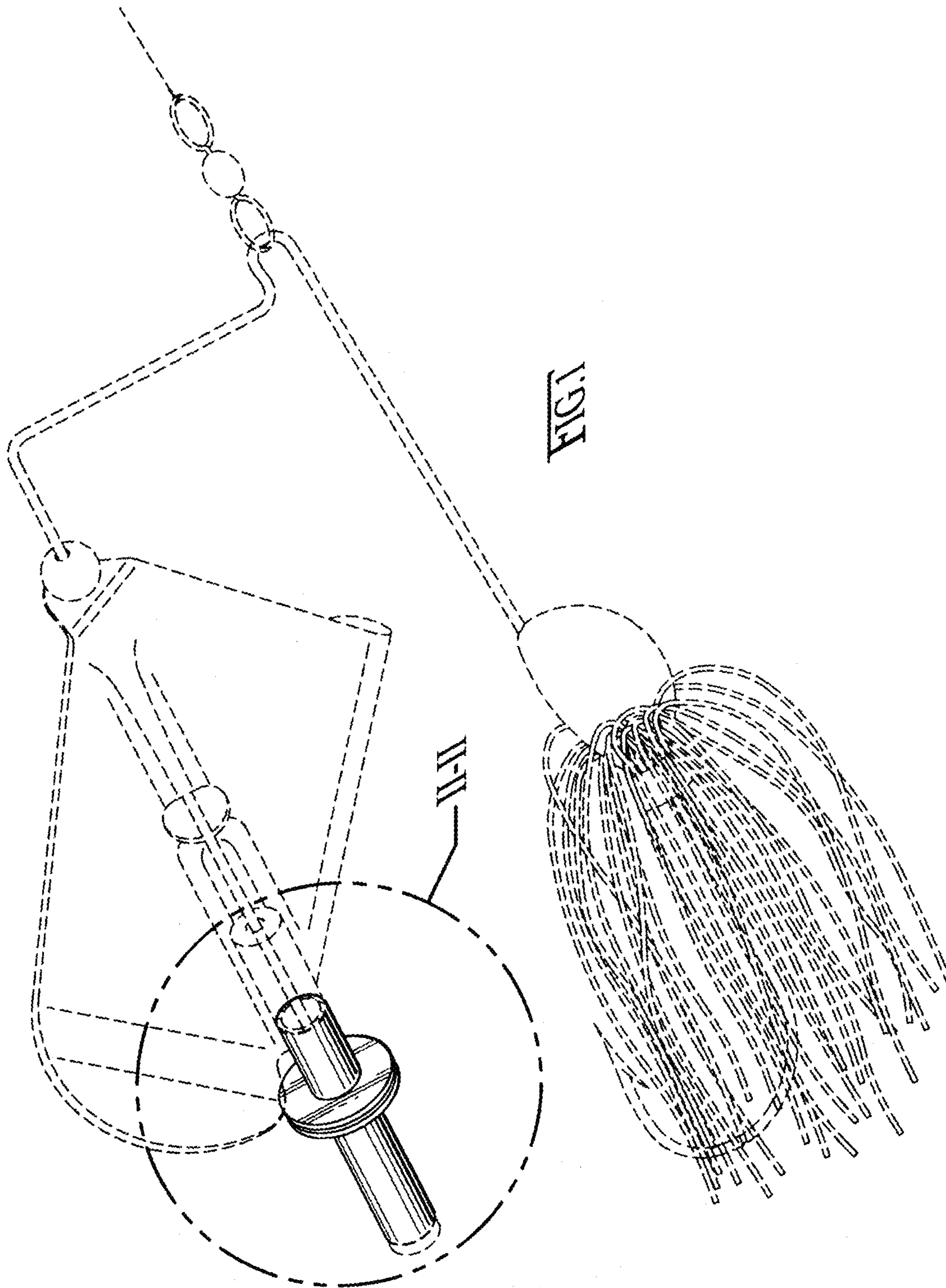


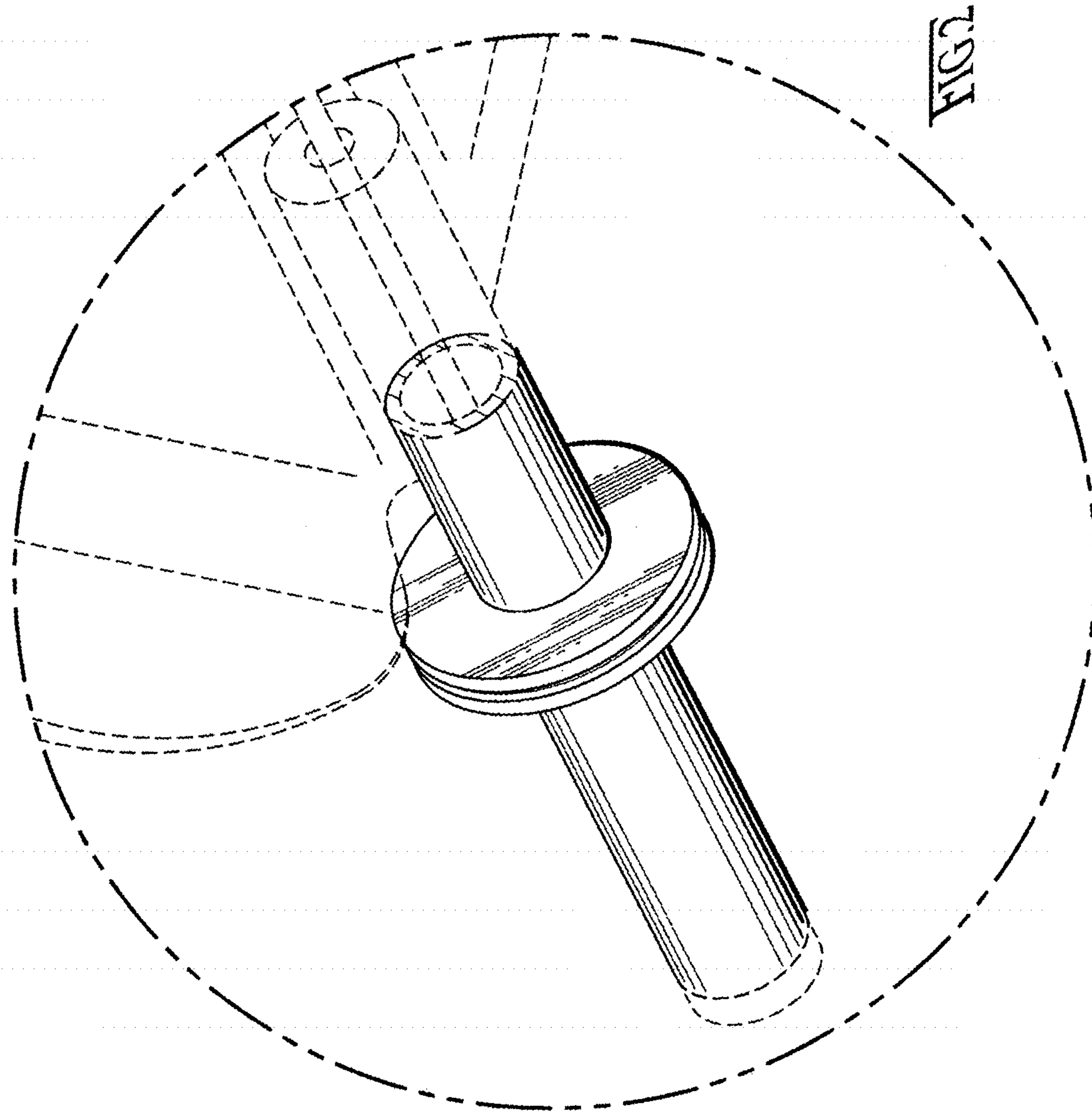
(56)

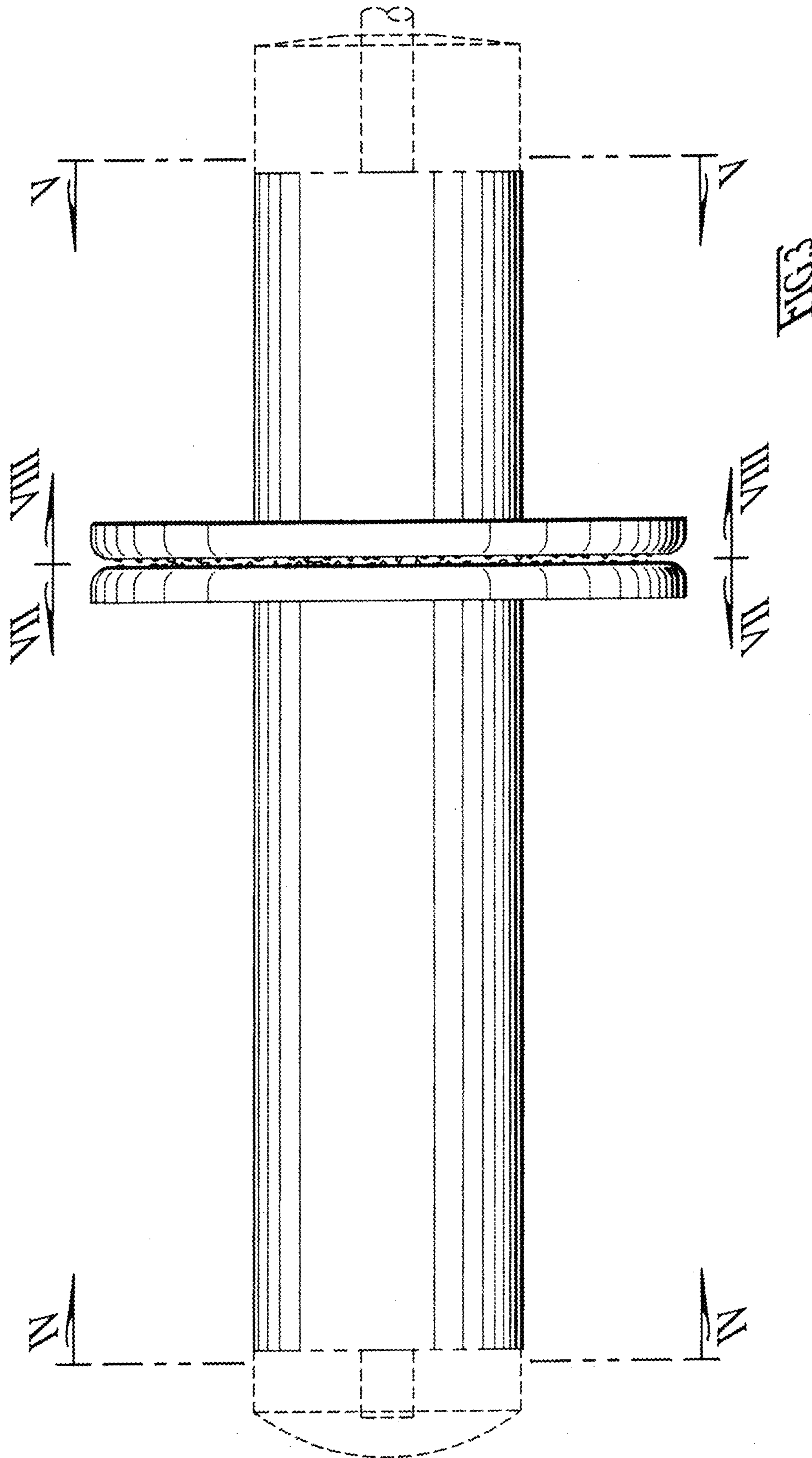
References Cited

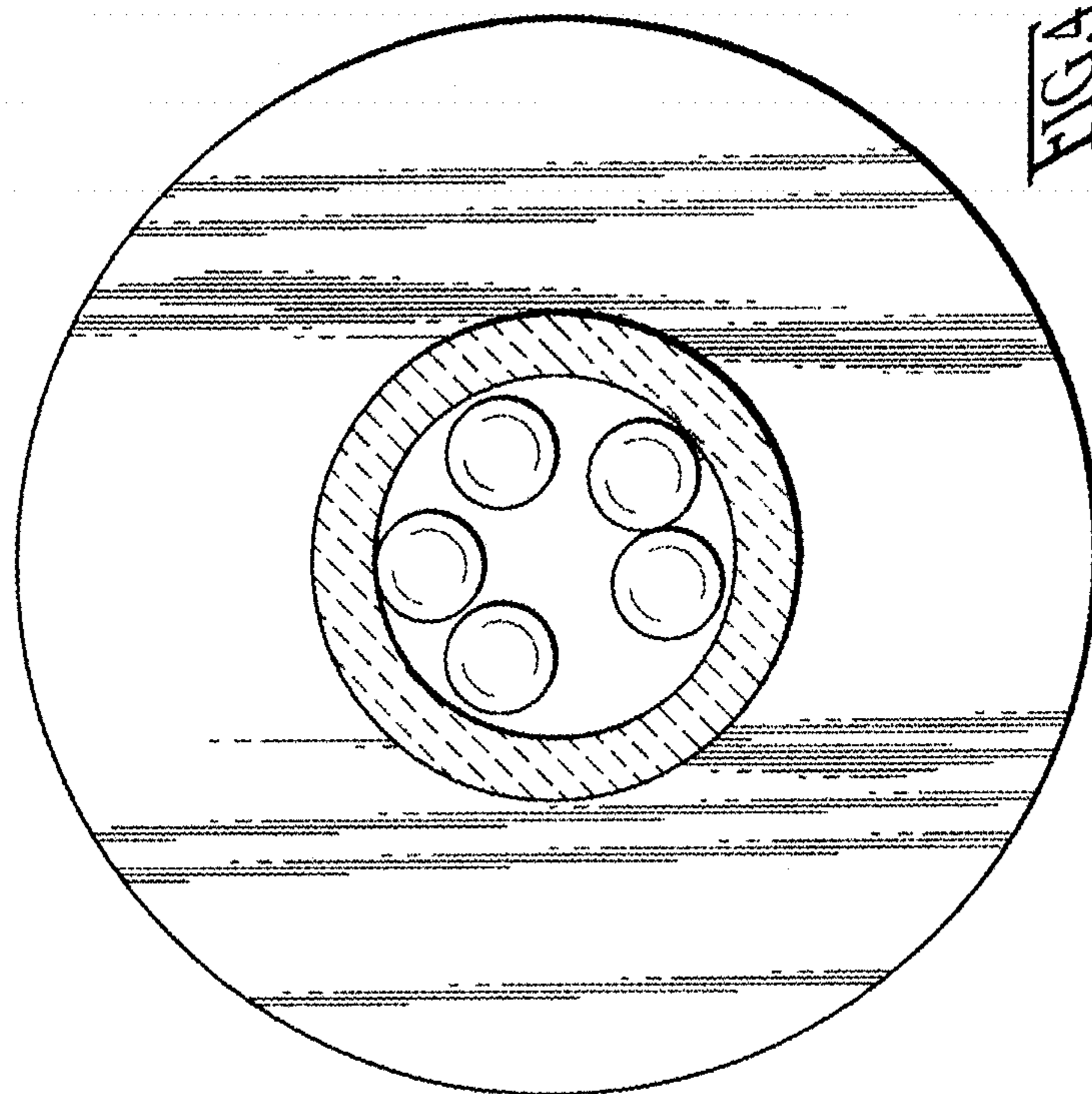
U.S. PATENT DOCUMENTS

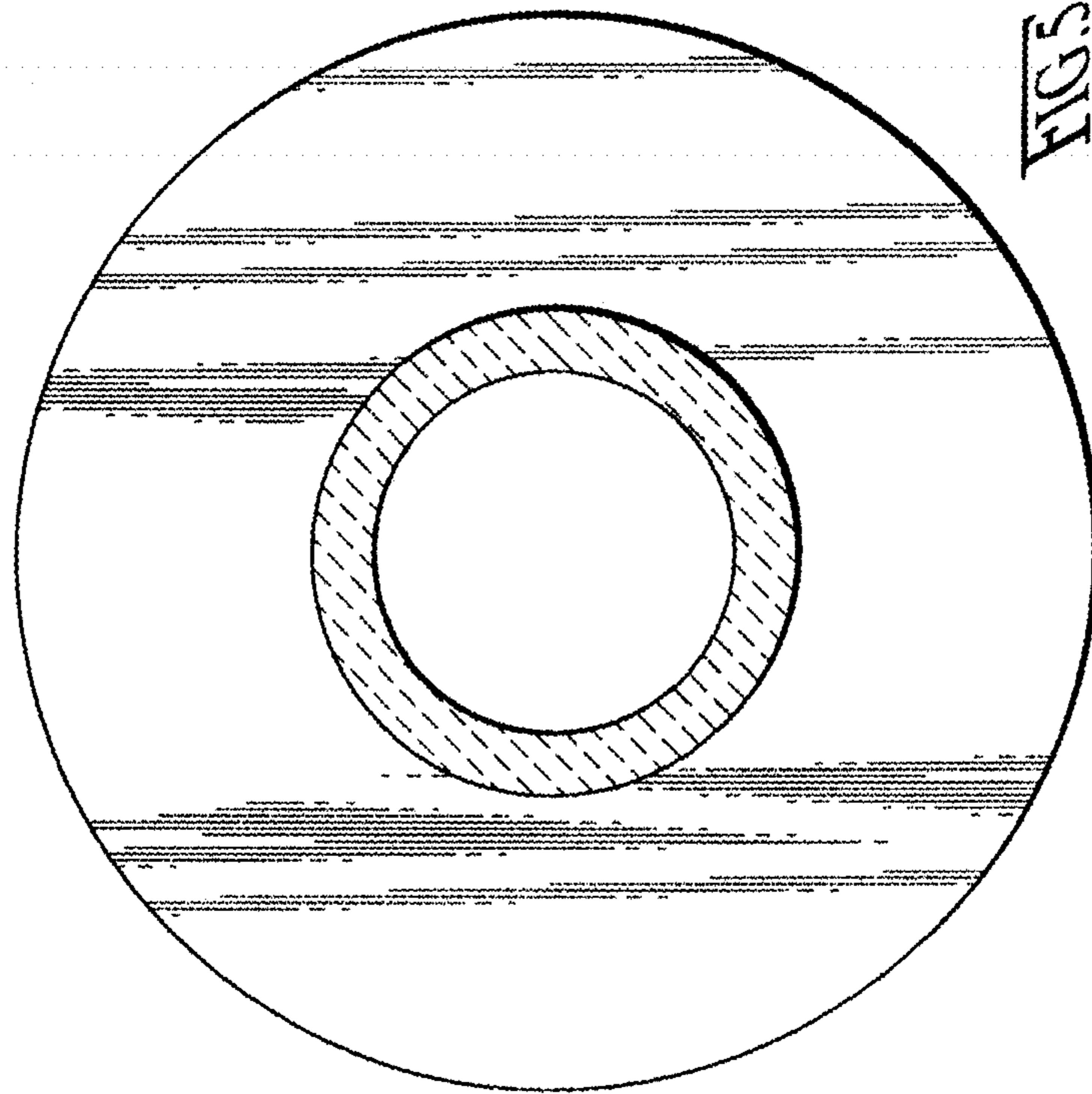
4,510,710	A	4/1985	Hanna et al.	A01K 85/00
4,641,455	A	2/1987	Johnson	A01K 85/01
4,718,191	A	1/1988	Gentry	A01K 85/00
4,791,750	A	12/1988	Gammill	A01K 85/00
4,793,089	A	12/1988	Long et al.	A01K 85/00
5,050,334	A	9/1991	Standish, Jr.	H01K 85/00
5,201,784	A	4/1993	McWilliams	A01K 85/00
5,303,497	A	4/1994	Rabideau	A01K 85/00
5,355,612	A	10/1994	Smith	A01K 85/00
5,499,470	A	3/1996	Reed	A01K 85/00
5,987,805	A	11/1999	Laney	A01K 95/00
D449,366	S	10/2001	Wicklund	D22/131
7,360,335	B2	4/2008	Edwards	A01K 85/10
D570,443	S	6/2008	Connors	D22/129
D580,512	S	11/2008	Mehsikomer	D22/129
D583,009	S	12/2008	Burnam	D22/129
D684,237	S	6/2013	Lachenauer	D22/129
D810,855	S	2/2018	Dunbar	D22/129
2017/0303519	A1	10/2017	Wedam	A01K 85/00











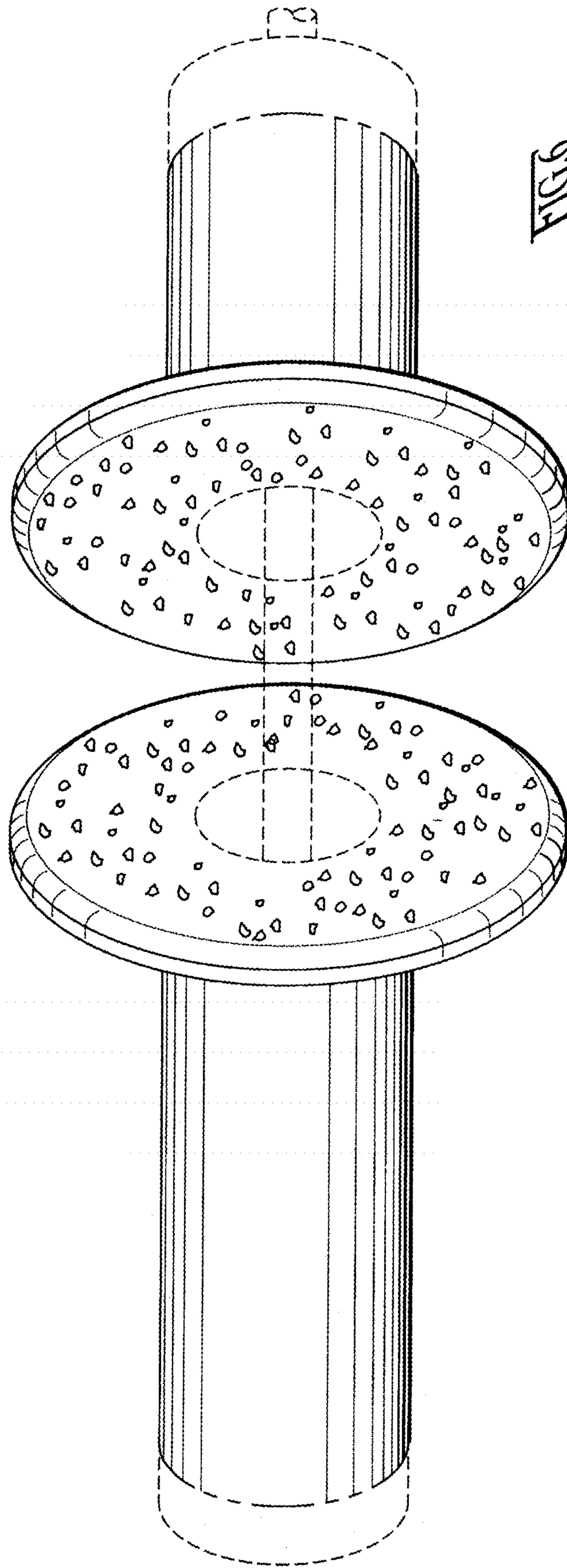
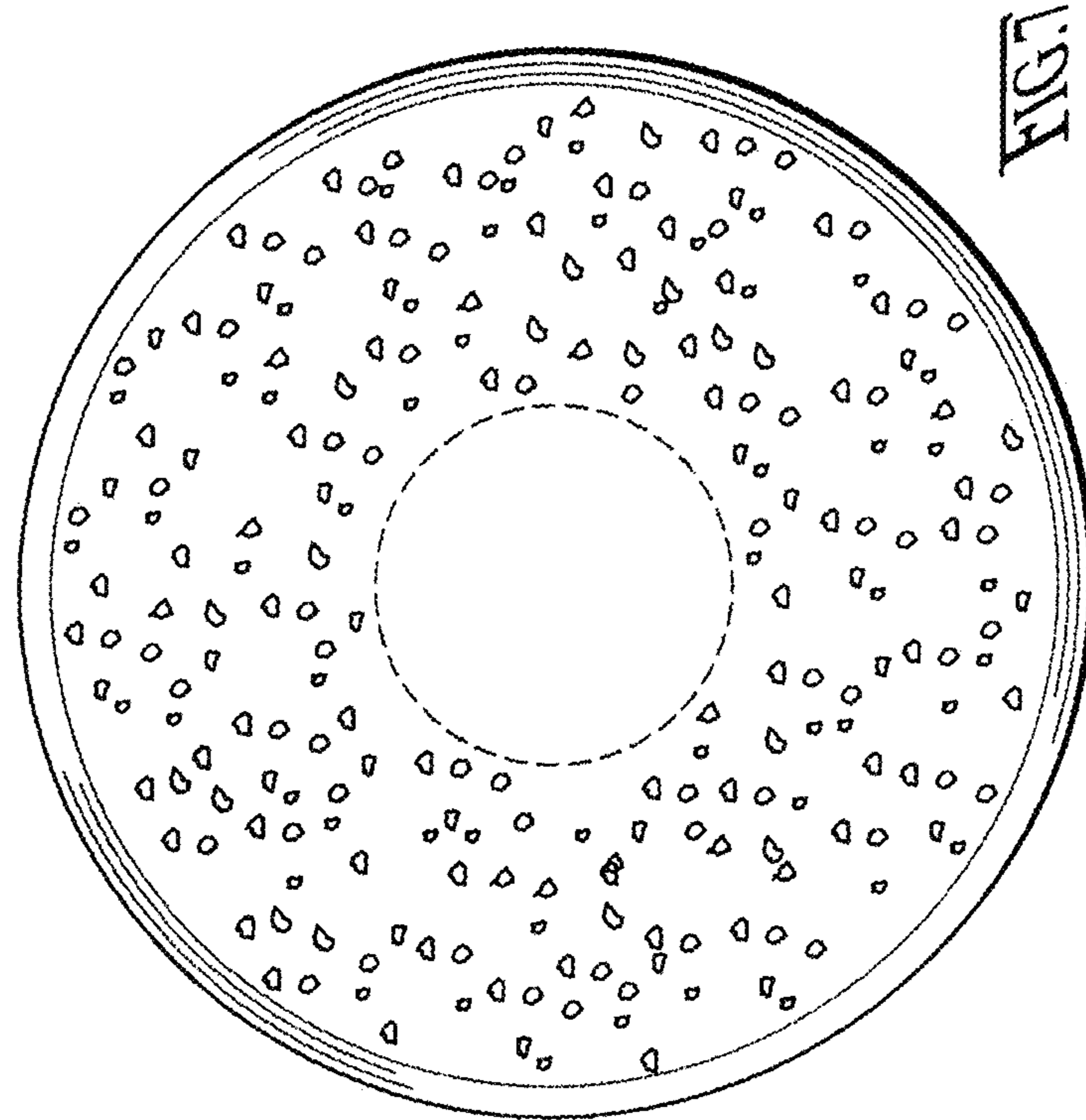
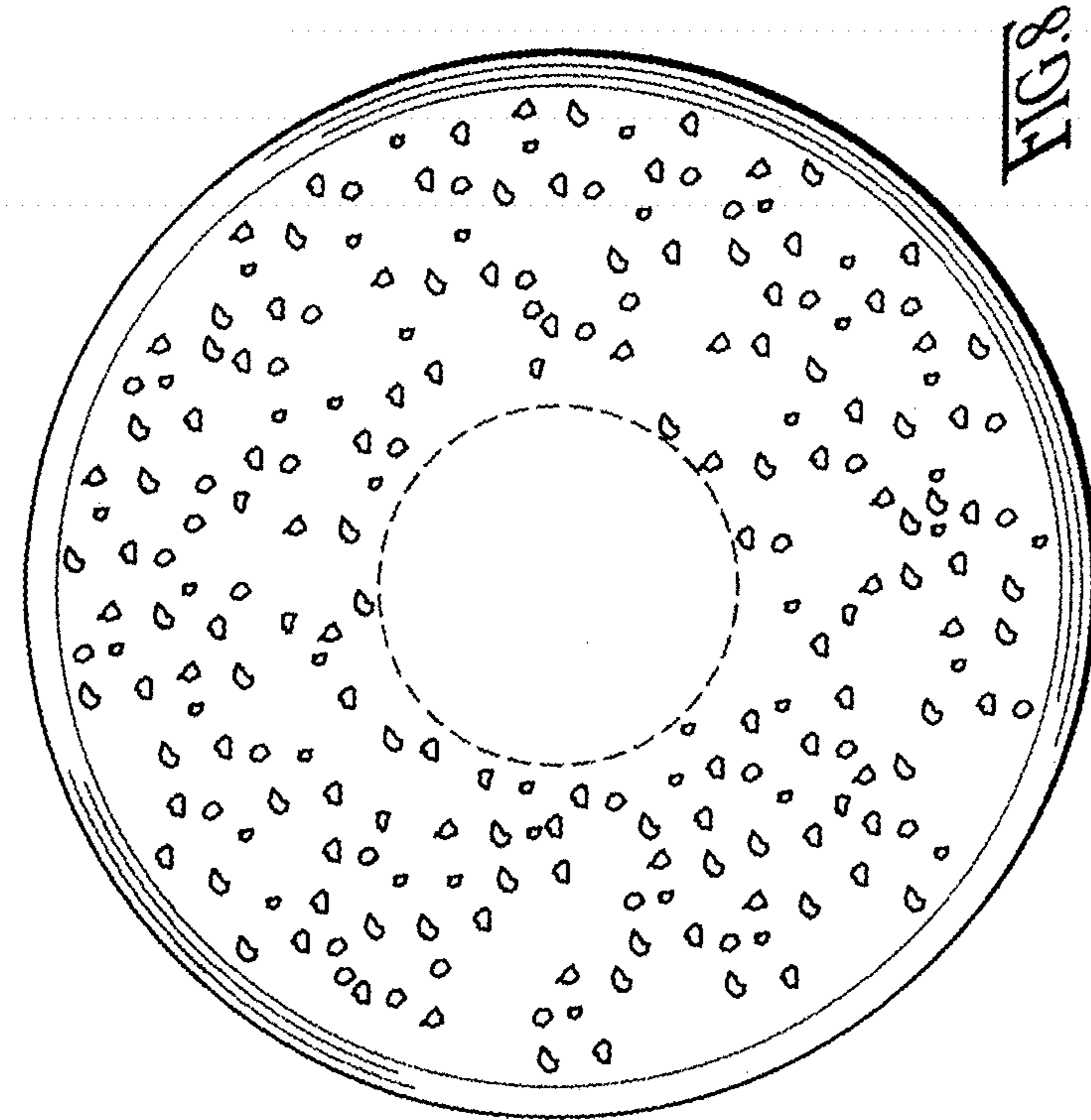


FIG. 6





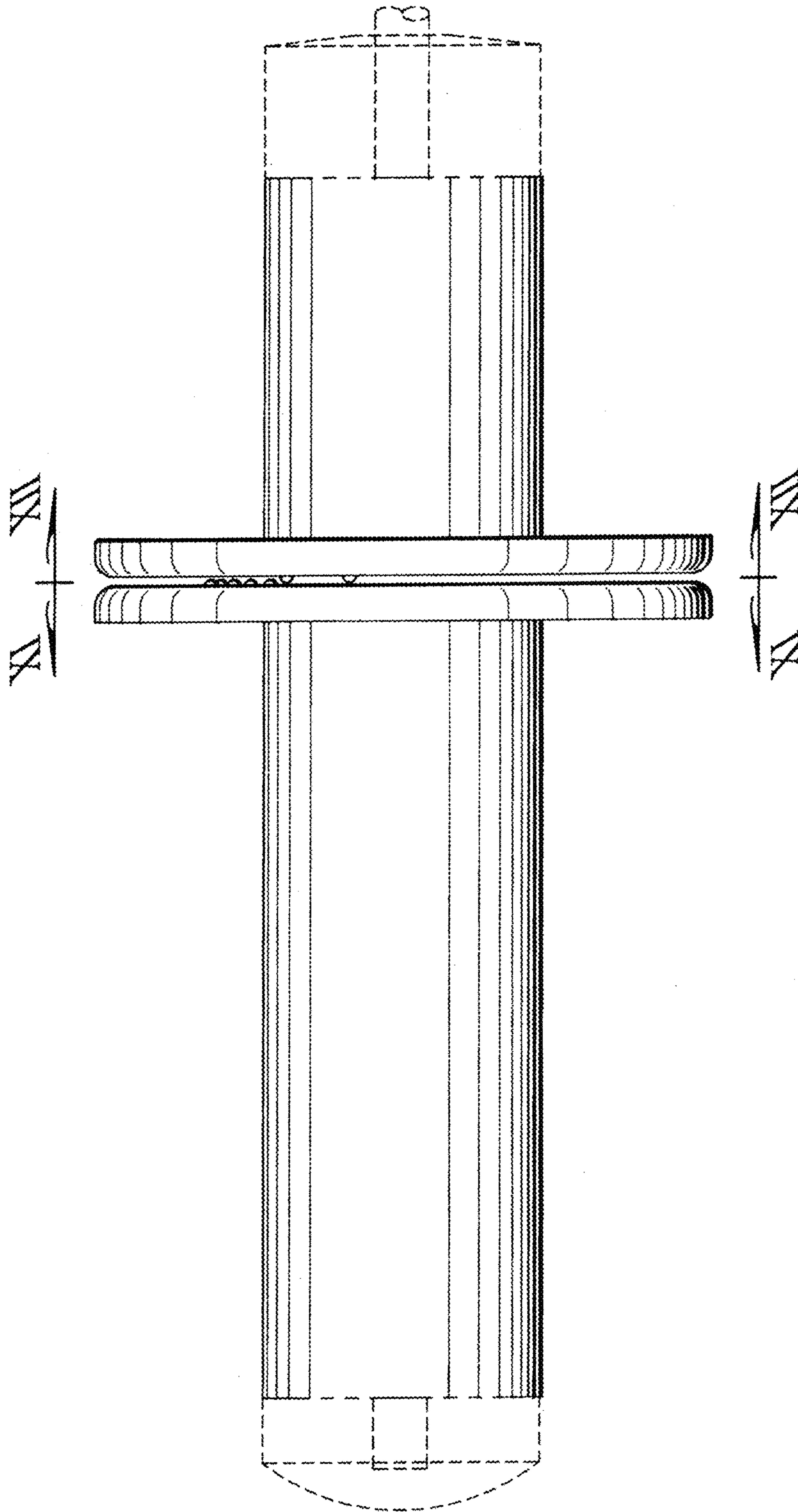


FIG. 9

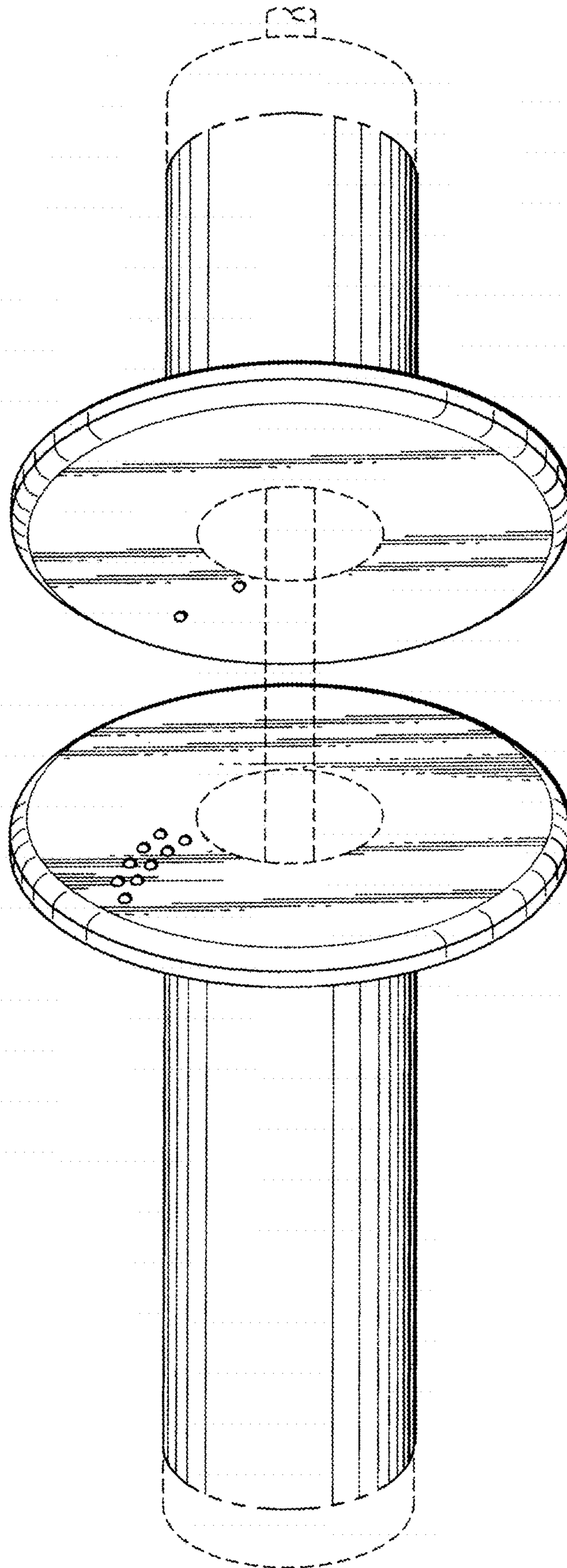
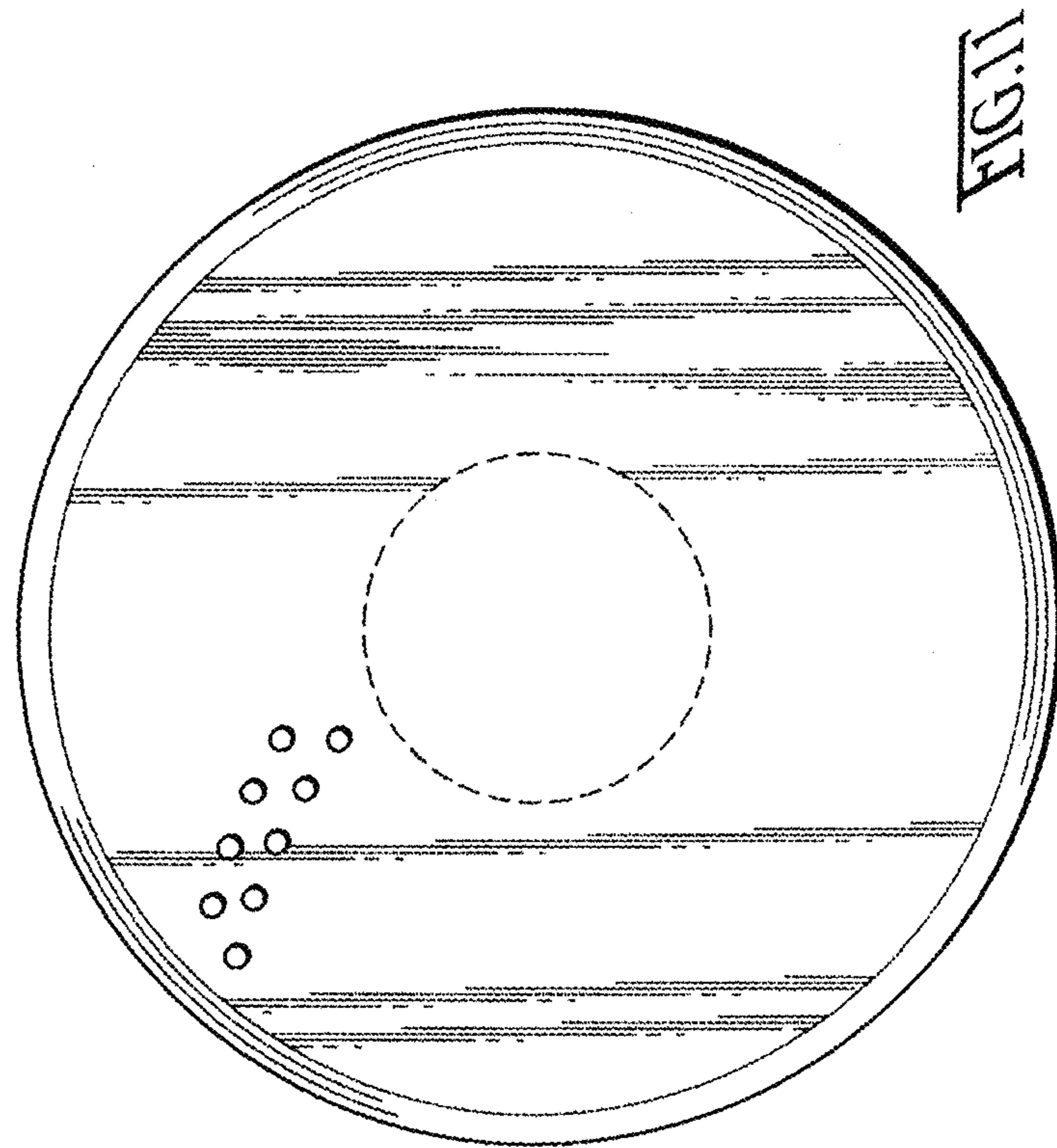


FIG. 10



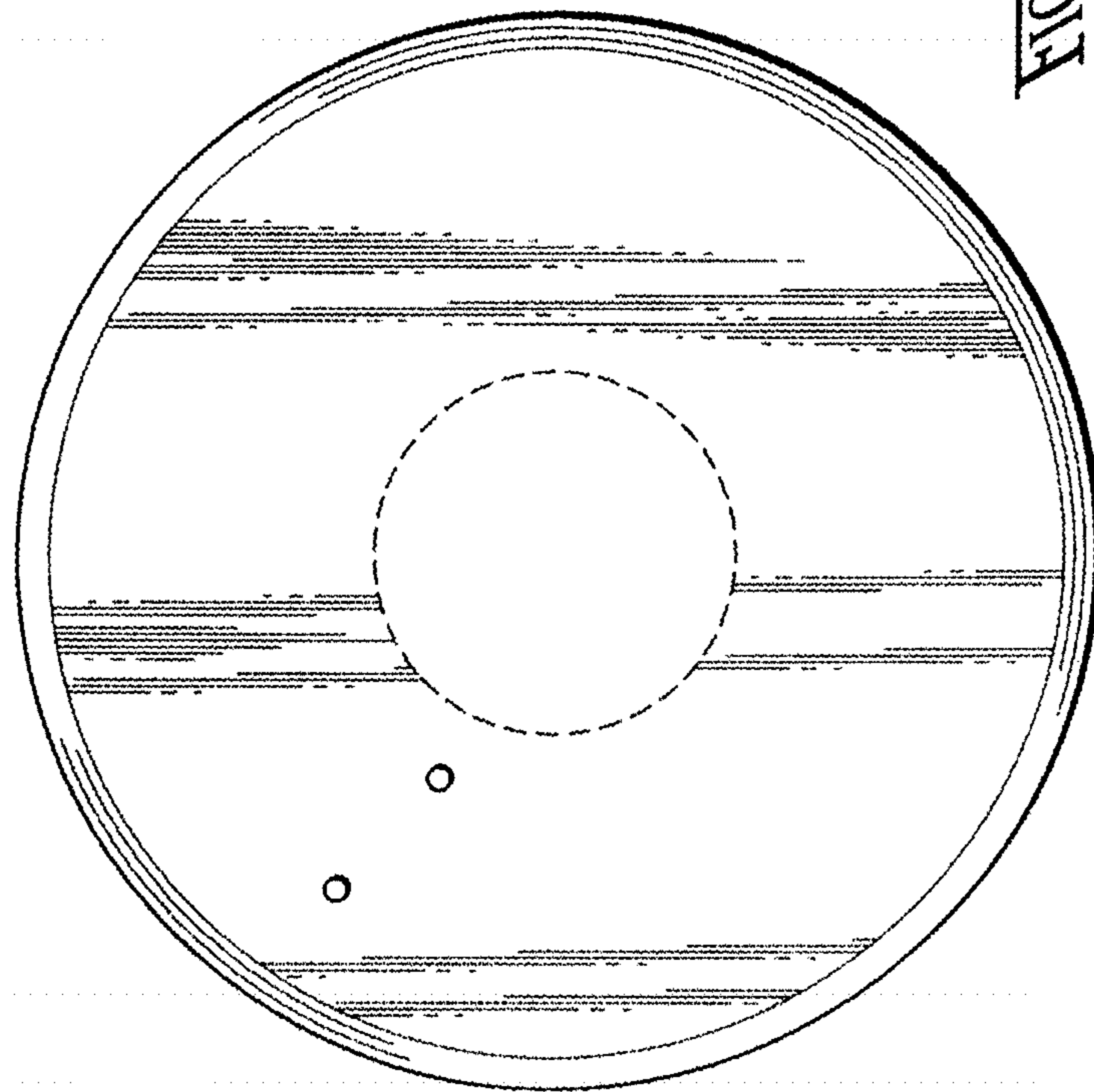


FIG. 12