



US00D936778S

(12) **United States Design Patent** (10) **Patent No.:** **US D936,778 S**
Gulistanoglu et al. (45) **Date of Patent:** **** Nov. 23, 2021**

(54) **WATERSLIDE**
(71) Applicant: **POLIN SU PARKLARI VE HAVUZ SISTEMLERI ANONIM SIRKETI**, Kocaeli (TR)
(72) Inventors: **Utku Onursal Gulistanoglu**, Kocaeli (TR); **Turker Inan**, Kocaeli (TR); **Emre Ozsoz**, Kocaeli (TR)
(73) Assignee: **POLIN SU PARKLARI VE HAVUZ SISTEMLERI ANONIM SIRKETI**, Kocaeli (TR)

D629,861 S *	12/2010	Cuttell	D21/821
D650,463 S *	12/2011	Degirmenci	D21/819
D697,159 S *	1/2014	Altindag	D21/819
D697,571 S *	1/2014	Altindag	D21/819
D705,381 S *	5/2014	Brassard	D21/821
D771,213 S *	11/2016	Ozturk	D21/821
D779,010 S *	2/2017	Ozturk	D21/821
D809,618 S *	2/2018	Hunter	A63G 31/007
				D21/821
D827,752 S *	9/2018	Hunter	D21/819
D837,919 S *	1/2019	Ozsoz	D21/819
D838,331 S *	1/2019	Ozsoz	D21/819
D838,799 S *	1/2019	Ozsoz	D21/819
D855,136 S *	7/2019	Briggs	A63G 21/18
				D21/821
D856,454 S *	8/2019	Hunter	D21/819
D872,207 S *	1/2020	Gulistanoglu	D21/821
2009/0221377 A1 *	9/2009	Hlynka	A63G 21/18
				472/117

(**) Term: **15 Years**

(21) Appl. No.: **29/710,713**

(22) Filed: **Oct. 25, 2019**

(30) **Foreign Application Priority Data**

Sep. 19, 2019 (TR) 2019/05704

(51) **LOC (13) Cl.** **21-02**

(52) **U.S. Cl.**
USPC **D21/819**

(58) **Field of Classification Search**
USPC D21/811, 814, 818-821
CPC A63G 21/00-21/22
See application file for complete search history.

(56) **References Cited**

U.S. PATENT DOCUMENTS

6,354,955 B1 *	3/2002	Stuart	A63G 21/18
				104/70
D521,098 S *	5/2006	Hunter	A63G 31/007
				D21/819
D548,810 S *	8/2007	Hunter	D21/821
D567,322 S *	4/2008	Hunter	D21/821
D583,895 S *	12/2008	Hlynka	D21/821

(Continued)

Primary Examiner — Mitchell I. Siegel

(74) *Attorney, Agent, or Firm* — Bayramoglu Law Offices LLC

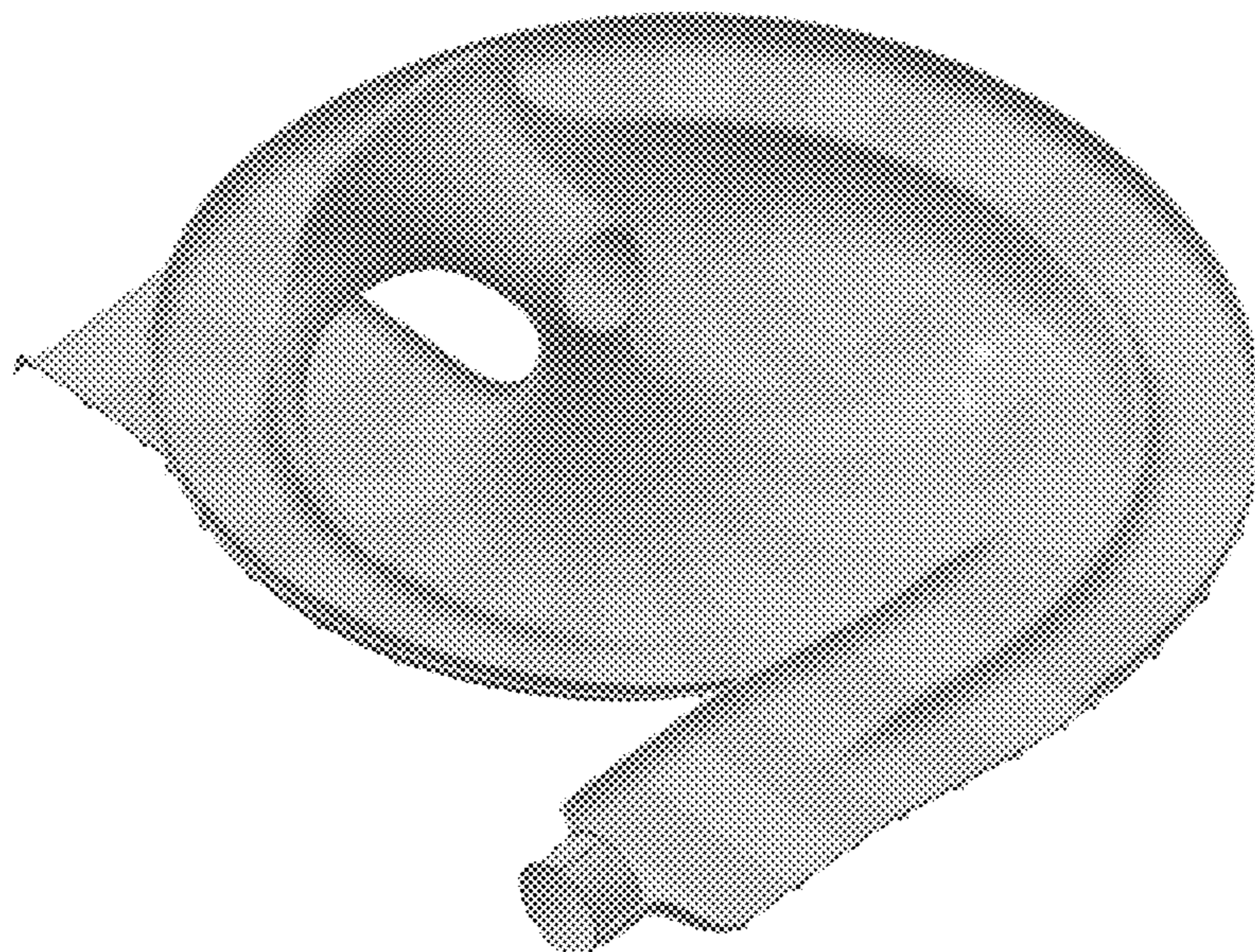
(57) **CLAIM**

The ornamental design for waterslide, as shown and described.

DESCRIPTION

FIG. 1 is a front perspective view of a waterslide showing our new design;
FIG. 2 is a left perspective view thereof;
FIG. 3 is a right perspective view thereof;
FIG. 4 is a rear perspective view thereof;
FIG. 5 is a top plan view thereof;
FIG. 6 is a bottom plan view thereof;
FIG. 7 is a rear view thereof;
FIG. 8 is a front view thereof;
FIG. 9 is a right view thereof; and,
FIG. 10 is a left view thereof.

1 Claim, 6 Drawing Sheets



(56)

References Cited

U.S. PATENT DOCUMENTS

2009/0239671 A1* 9/2009 Brassard A63G 21/10
472/117
2010/0016091 A1* 1/2010 Brassard A63G 21/18
472/117
2010/0285894 A1* 11/2010 Hlynka A63G 21/18
472/117
2012/0122598 A1* 5/2012 Spiroglu A63G 21/18
472/117
2012/0277011 A1* 11/2012 Hunter A63G 21/18
472/88
2013/0184087 A1* 7/2013 Degirmenci A63G 21/18
472/117
2014/0135136 A1* 5/2014 Altindag A63G 21/18
472/117
2019/0247759 A1* 8/2019 Ozturk A63G 21/18
2020/0094155 A1* 3/2020 Chutter A63G 31/007
2020/0215441 A1* 7/2020 Ozturk A63G 21/18

* cited by examiner

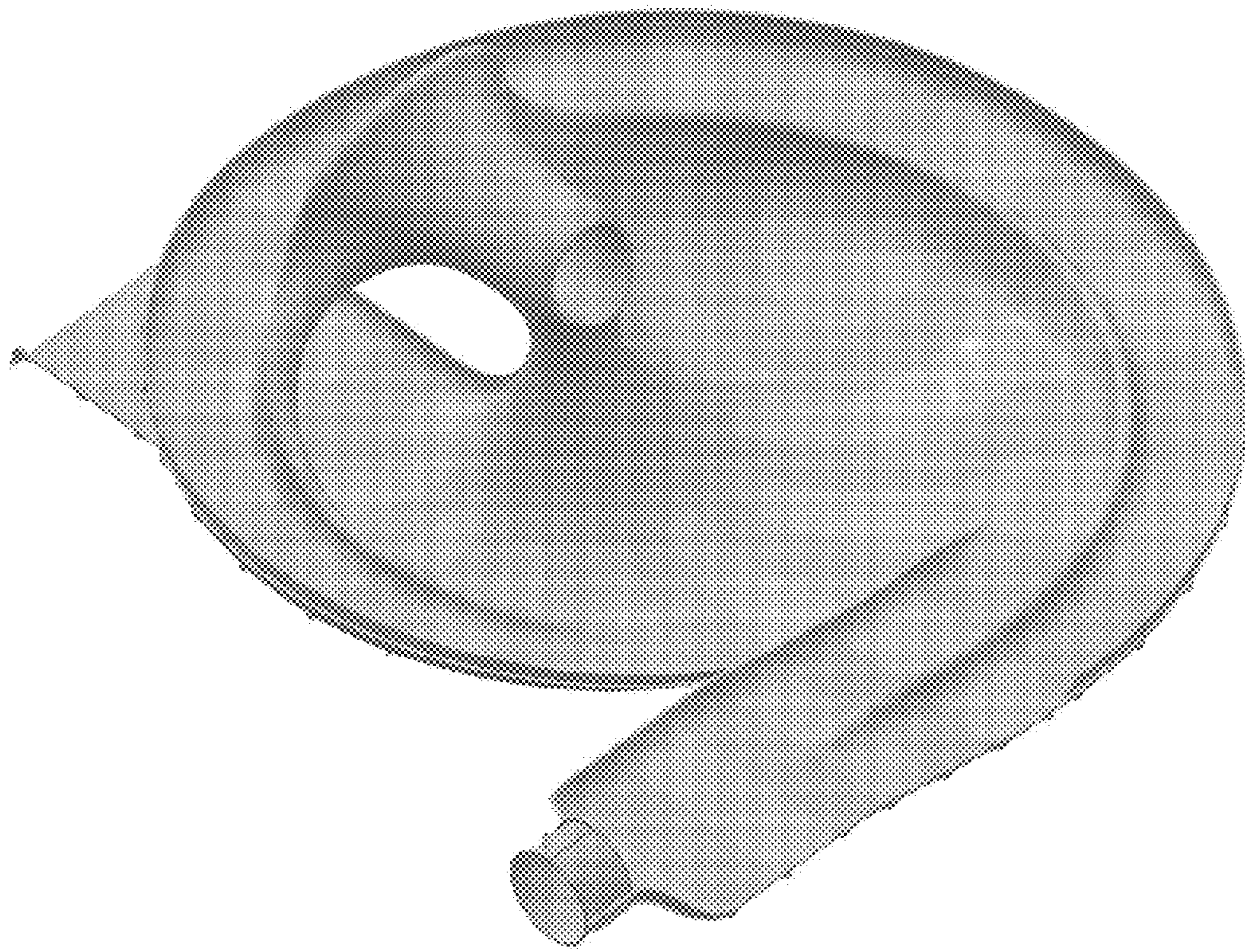


FIG. 1

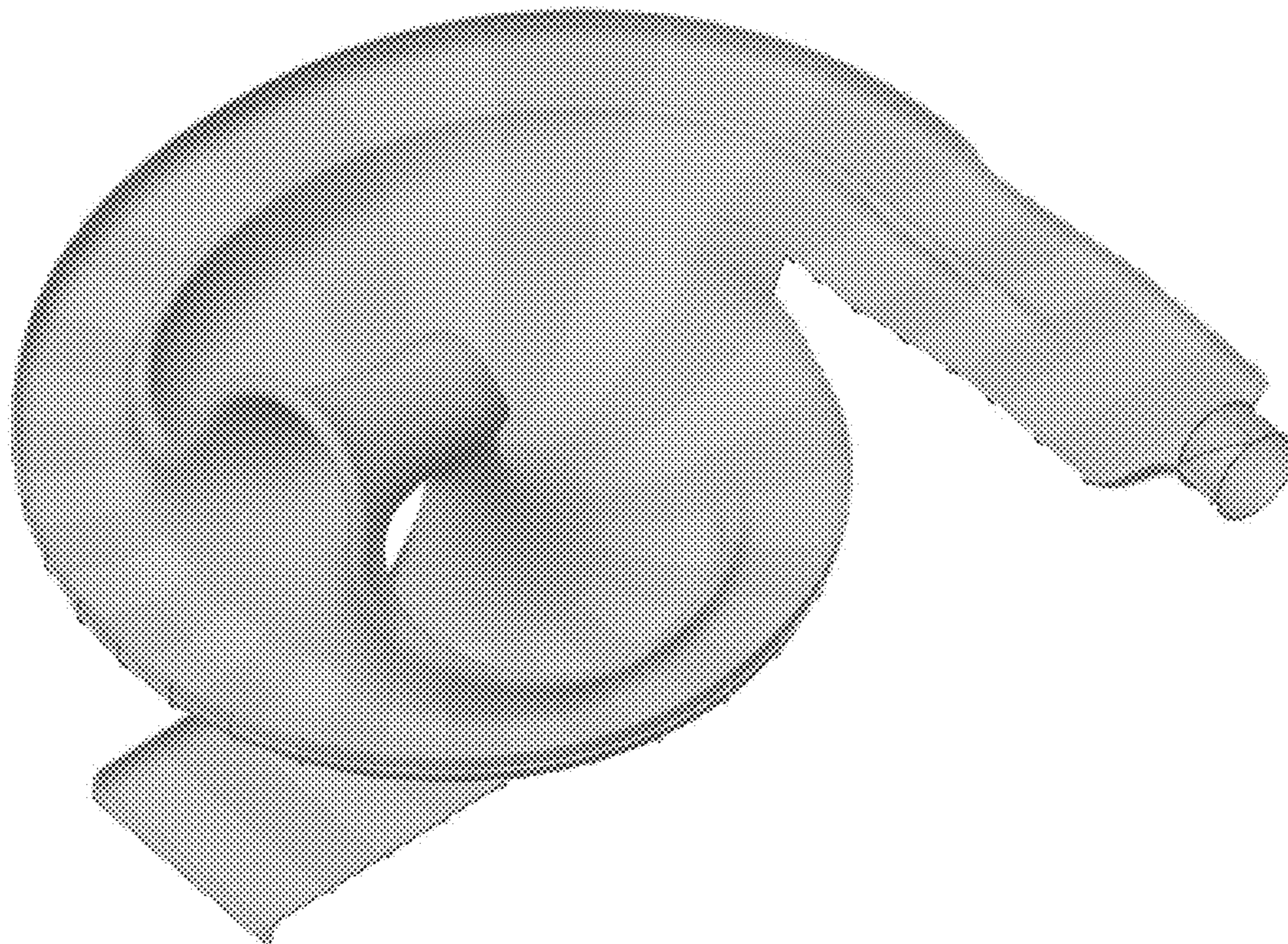


FIG. 2

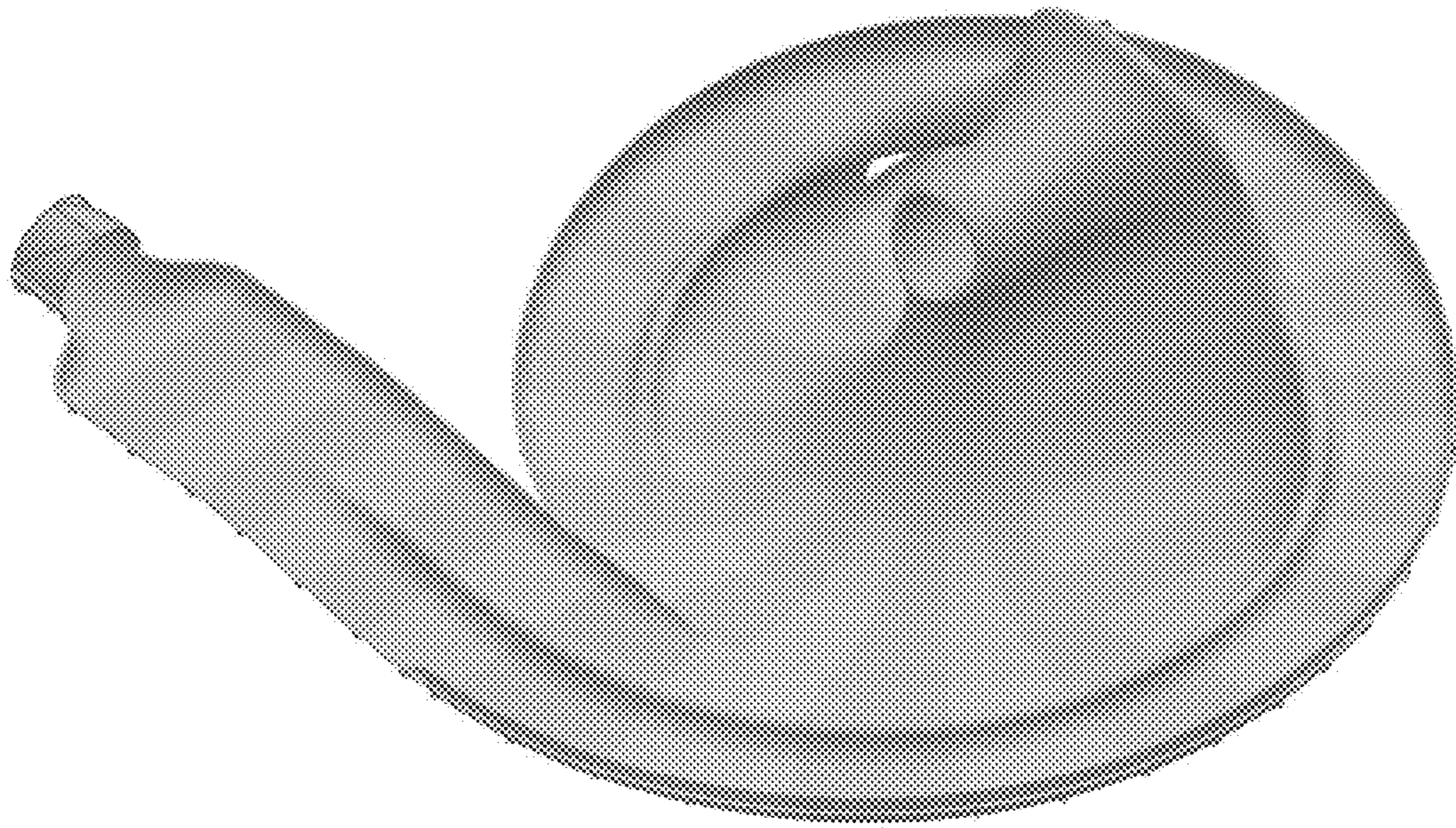


FIG. 3



FIG. 4

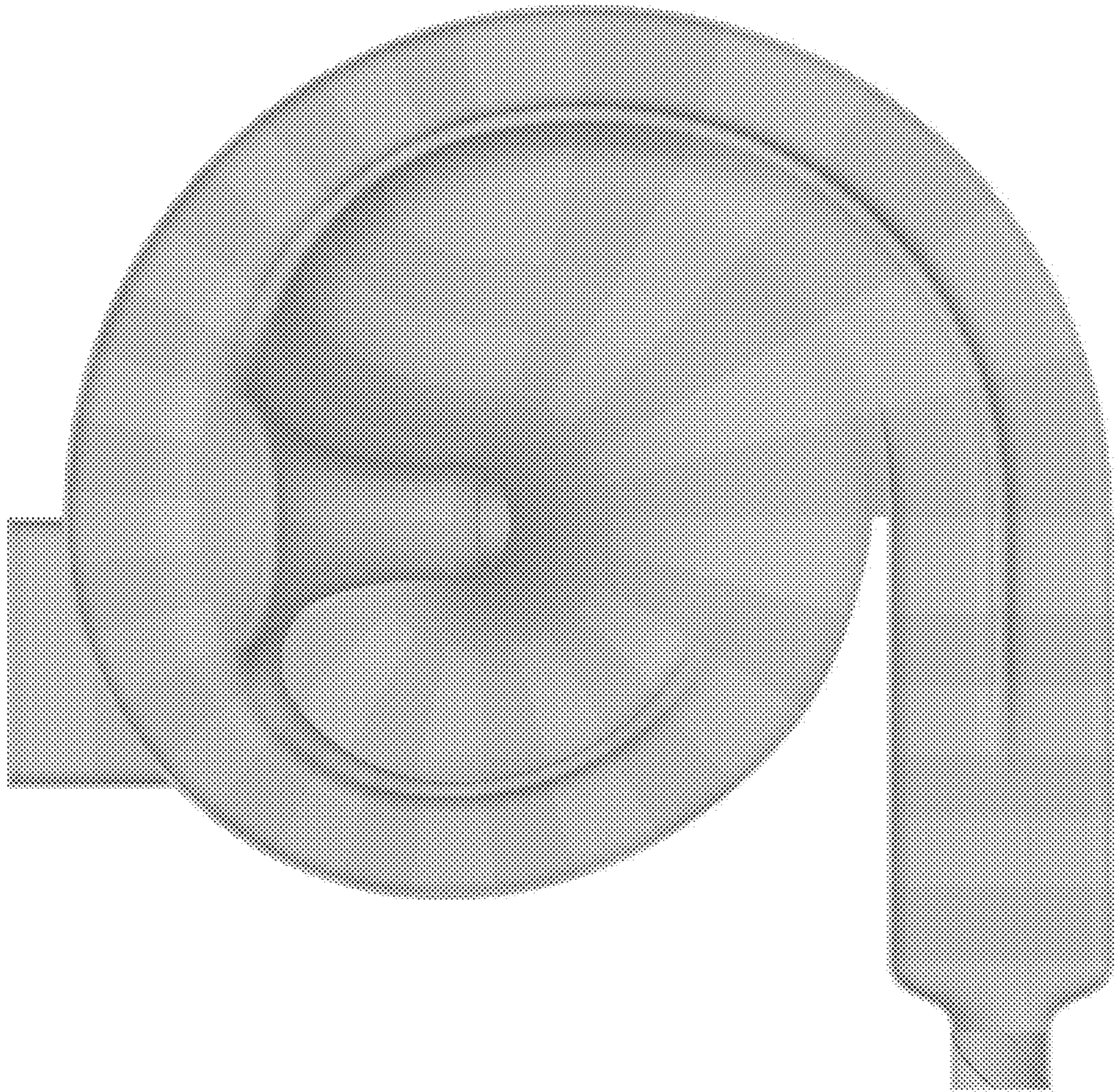


FIG. 5

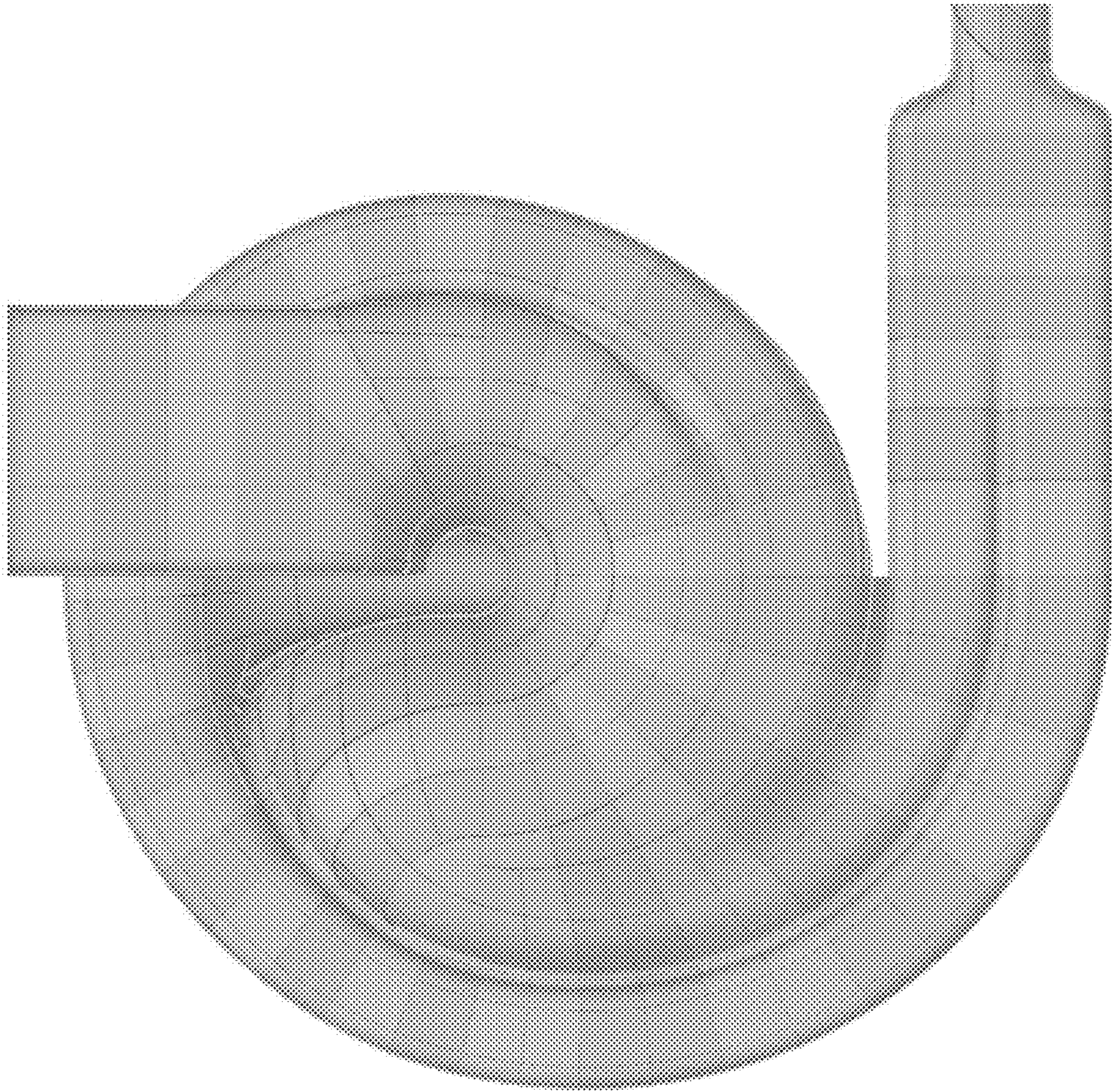


FIG. 6

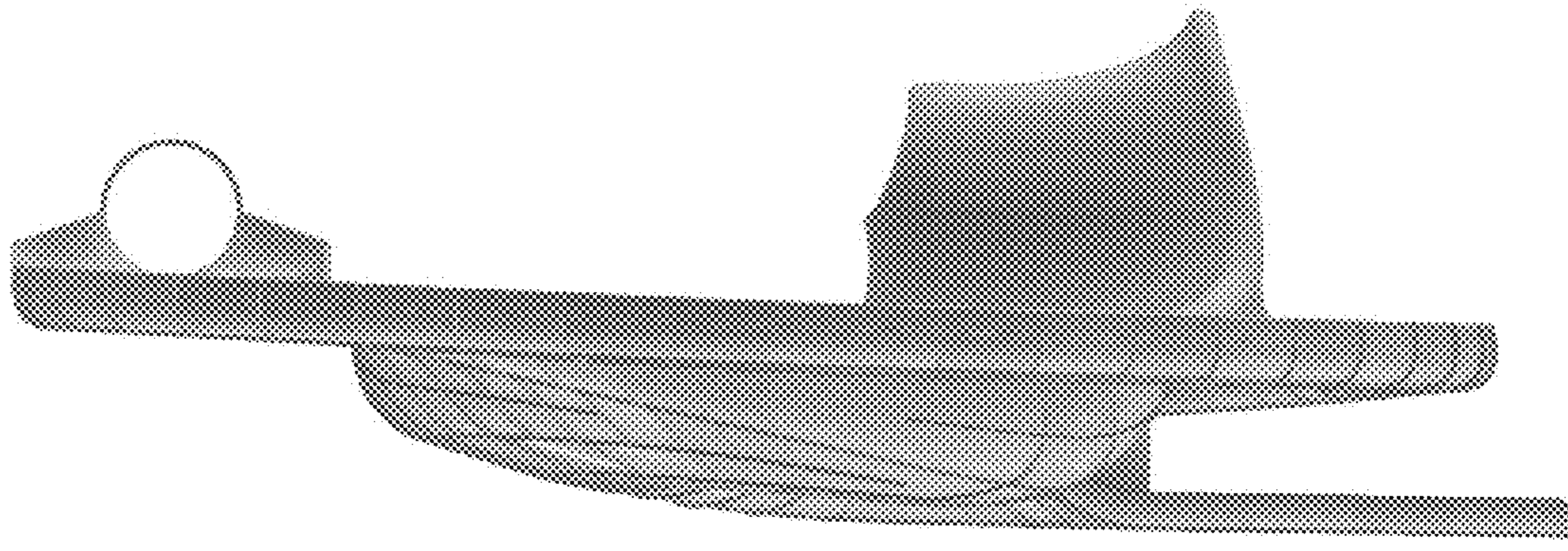


FIG. 7

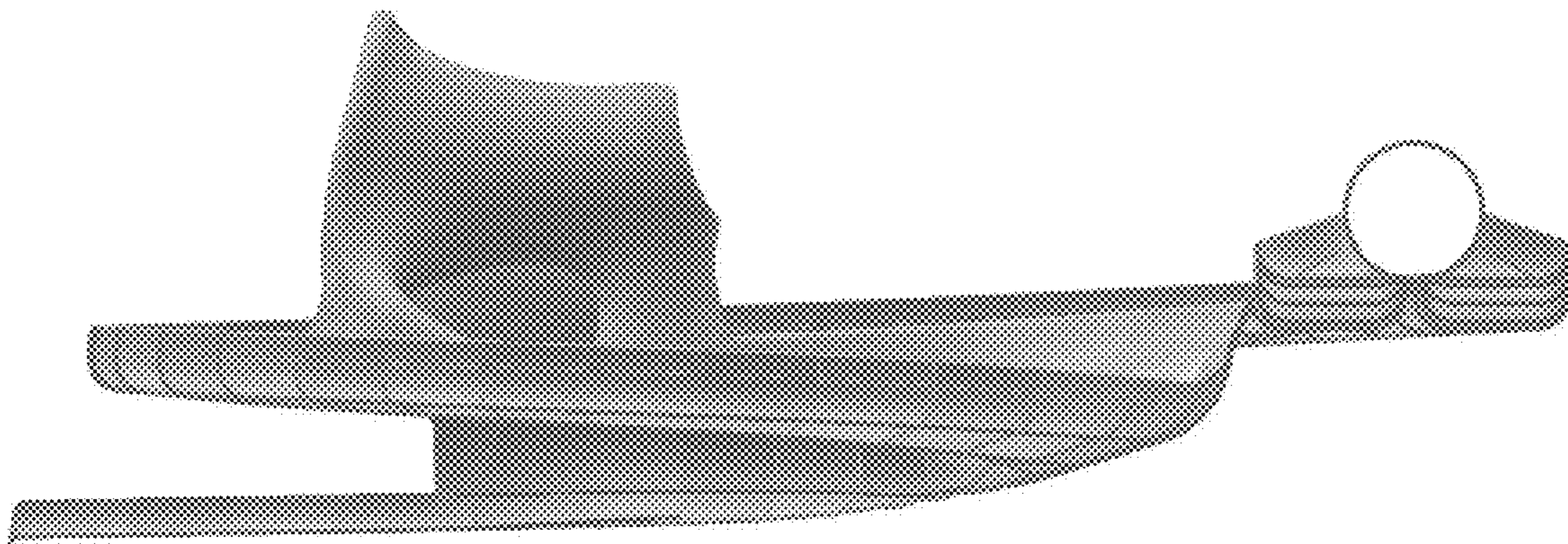


FIG. 8

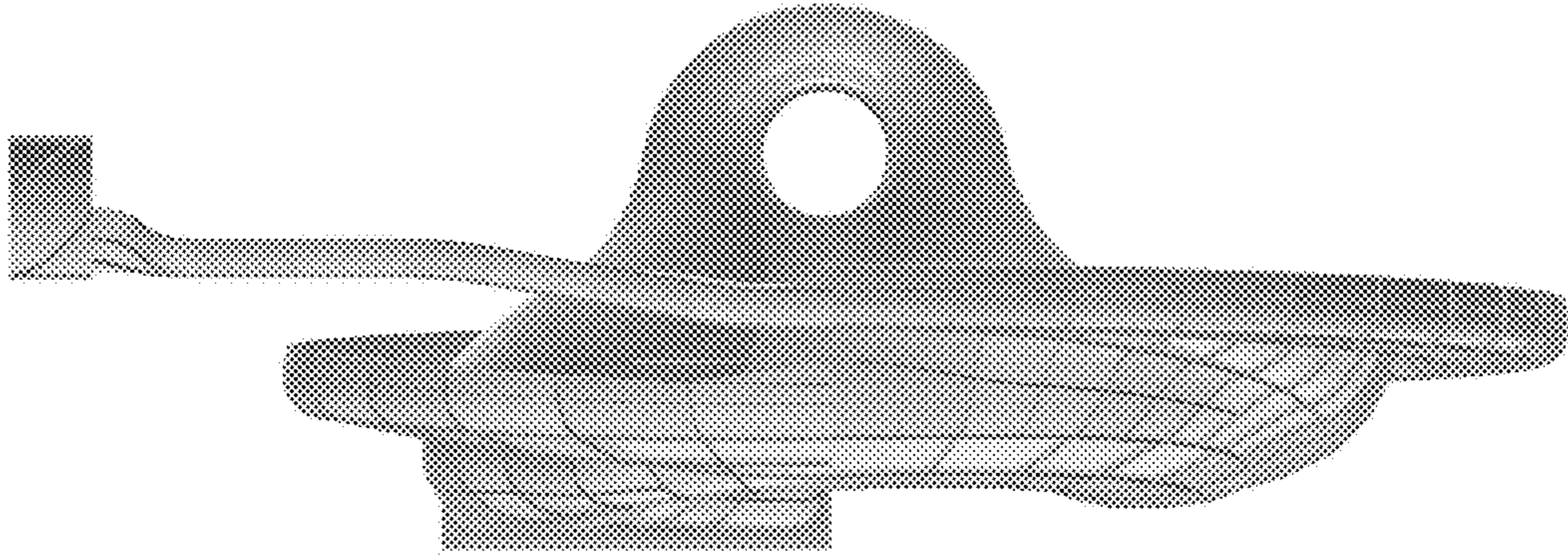


FIG. 9

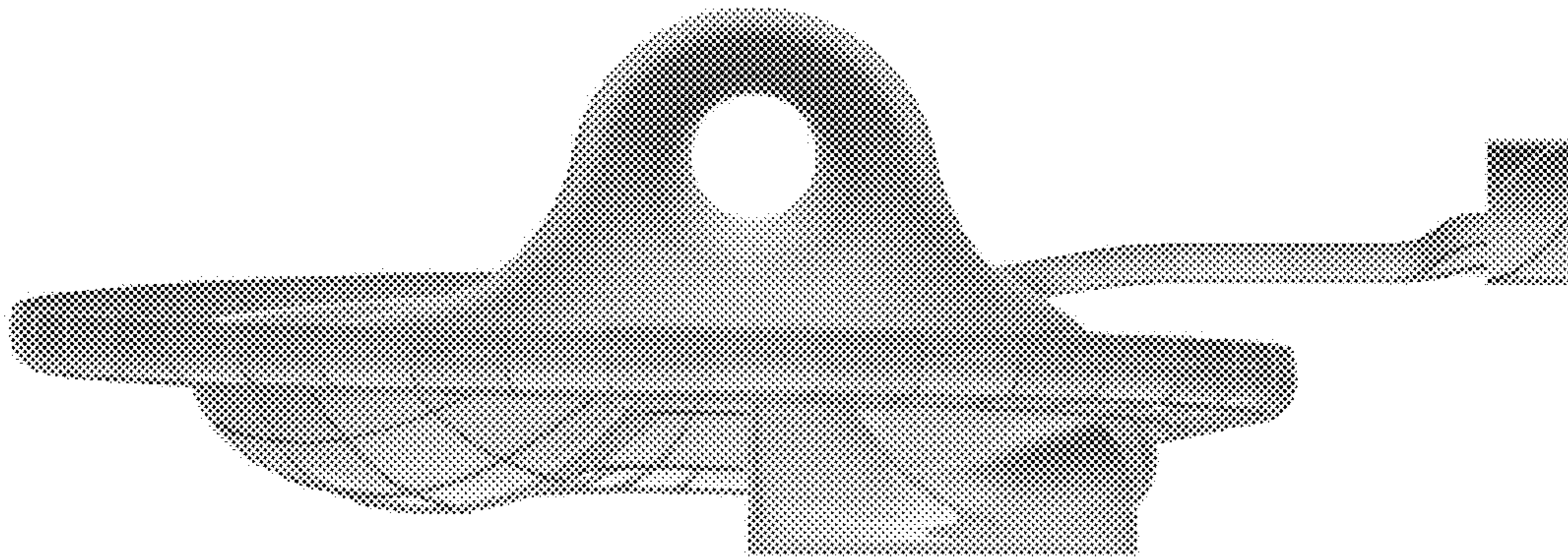


FIG. 10