



US00D936777S

(12) **United States Design Patent**  
**Ren**

(10) **Patent No.:** **US D936,777 S**

(45) **Date of Patent:** **\*\* Nov. 23, 2021**

(54) **FITNESS TRAMPOLINE**

OTHER PUBLICATIONS

(71) Applicant: **QING DAO YOU TU INTERNATIONAL SUPPLY CHAIN MANAGEMENT CO., LTD.**, Qingdao (CN)

“Taery 48” Foldable Fitness Trampo-Lines” Nov. 16, 2020, site visited May 1, 2021: <https://www.amazon.com/dp/B08SLR9JWD/> (Year: 2020).\*

(Continued)

(72) Inventor: **Lei Ren**, Linyi (CN)

*Primary Examiner* — Michael C Stout  
*Assistant Examiner* — Melvin L Davis

(73) Assignee: **QING DAO YOU TU INTERNATIONAL SUPPLY CHAIN MANAGEMENT CO., LTD.**, Qingdao (CN)

(57) **CLAIM**

The ornamental design for a fitness trampoline, as shown and described.

(\*\*) Term: **15 Years**

**DESCRIPTION**

(21) Appl. No.: **29/766,976**

(22) Filed: **Jan. 20, 2021**

(51) **LOC (13) Cl.** ..... **21-01**

(52) **U.S. Cl.**  
USPC ..... **D21/797**; D12/178

(58) **Field of Classification Search**  
USPC ..... D12/111, 114, 178; D21/797; D8/303  
See application file for complete search history.

(56) **References Cited**

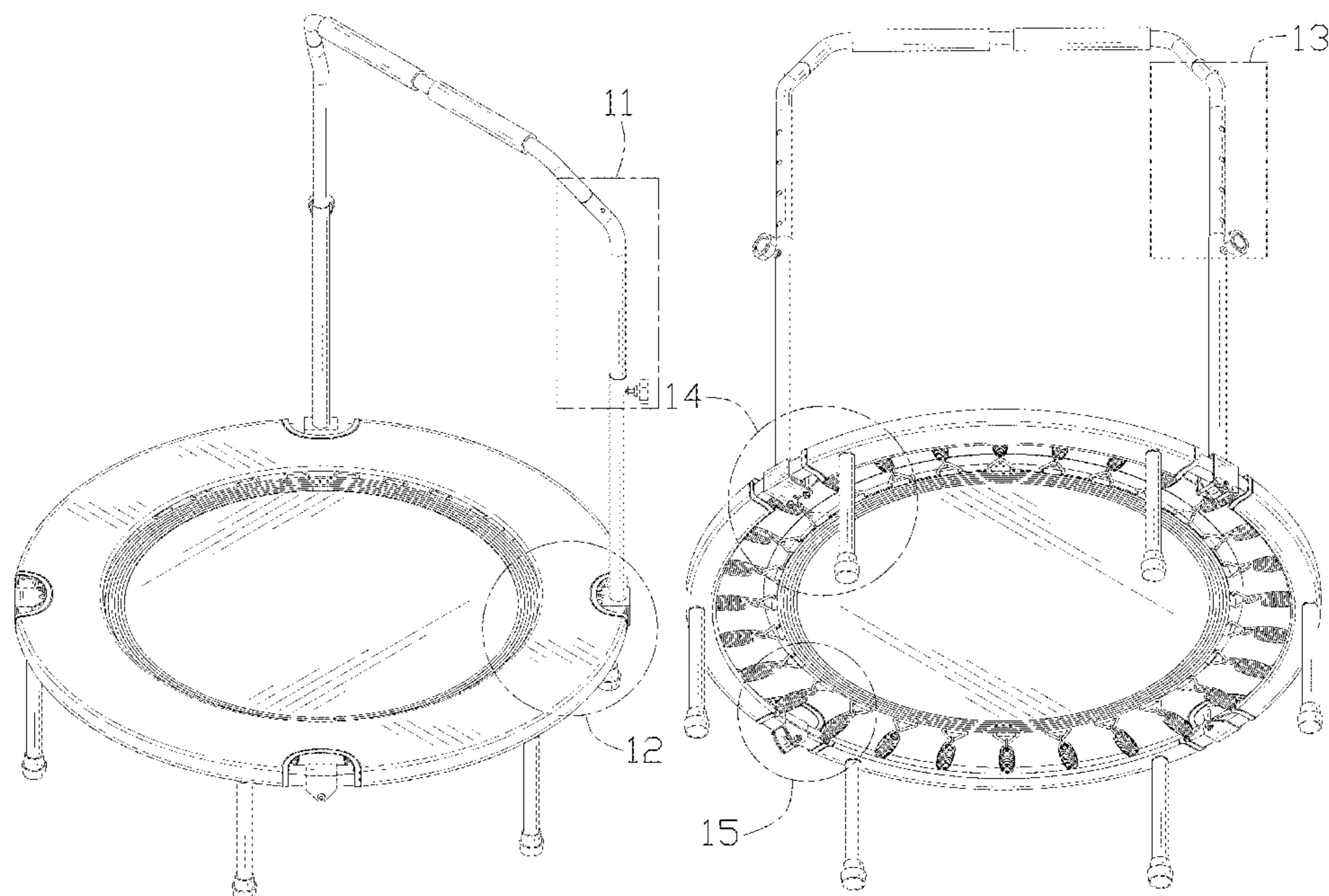
**U.S. PATENT DOCUMENTS**

5,074,550 A *	12/1991	Sloan	.....	A63B 5/11
				482/29
5,533,948 A *	7/1996	Wilkinson	.....	A63B 5/11
				482/146
5,613,922 A *	3/1997	Hsiang	.....	A63B 69/0097
				108/8
D384,115 S *	9/1997	Wilkinson	.....	D21/668
6,162,061 A *	12/2000	Taylor	.....	A63B 5/11
				434/253

(Continued)

FIG. 1 is a perspective view of a fitness trampoline showing my new design;  
FIG. 2 is another perspective view thereof;  
FIG. 3 is a front elevational view thereof;  
FIG. 4 is a rear elevational view thereof;  
FIG. 5 is a left side elevational view thereof;  
FIG. 6 is a right side elevational view thereof;  
FIG. 7 is a top plan view thereof;  
FIG. 8 is a bottom plan view thereof;  
FIG. 9 is a perspective view of the fitness trampoline where the fitness trampoline is in a first folded state;  
FIG. 10 is a perspective view of the fitness trampoline where the fitness trampoline is in a second folded state;  
FIG. 11 is an enlarged view of portion 11 shown in FIG. 1;  
FIG. 12 is an enlarged view of portion 12 shown in FIG. 1;  
FIG. 13 is an enlarged view of portion 13 shown in FIG. 2;  
FIG. 14 is an enlarged view of portion 14 shown in FIG. 2;  
and,  
FIG. 15 is an enlarged view of portion 13 shown in FIG. 2.  
The broken lines in the drawings depict portions of the fitness trampoline that form no part of the claimed design.

**1 Claim, 15 Drawing Sheets**



(56)

**References Cited**

U.S. PATENT DOCUMENTS

6,237,169 B1 \* 5/2001 Ying ..... A63B 5/11  
482/27  
7,468,020 B2 \* 12/2008 Lai ..... A63B 5/11  
16/324  
8,047,967 B1 \* 11/2011 Teng ..... A63B 5/11  
482/27  
D786,997 S 5/2017 Gaut  
D799,625 S 10/2017 Chen  
2007/0021272 A1 \* 1/2007 Slade ..... A63B 5/11  
482/27  
2011/0021321 A1 \* 1/2011 Legg ..... A63B 5/11  
482/29  
2015/0076888 A1 \* 3/2015 Xu ..... A63G 9/14  
297/452.18

OTHER PUBLICATIONS

“Deco Gear Black 48” Foldable Round Indoor/Outdoor Fitness Trampoline with Handlebar” Oct. 7, 2020, site visited May 1, 2021: <https://www.wayfair.com/outdoor/pdp/deco-gear-48-foldable-round-indooroutdoor-fitness-trampoline-with-handlebar-dger1007.html> (Year: 2020).\*

\* cited by examiner

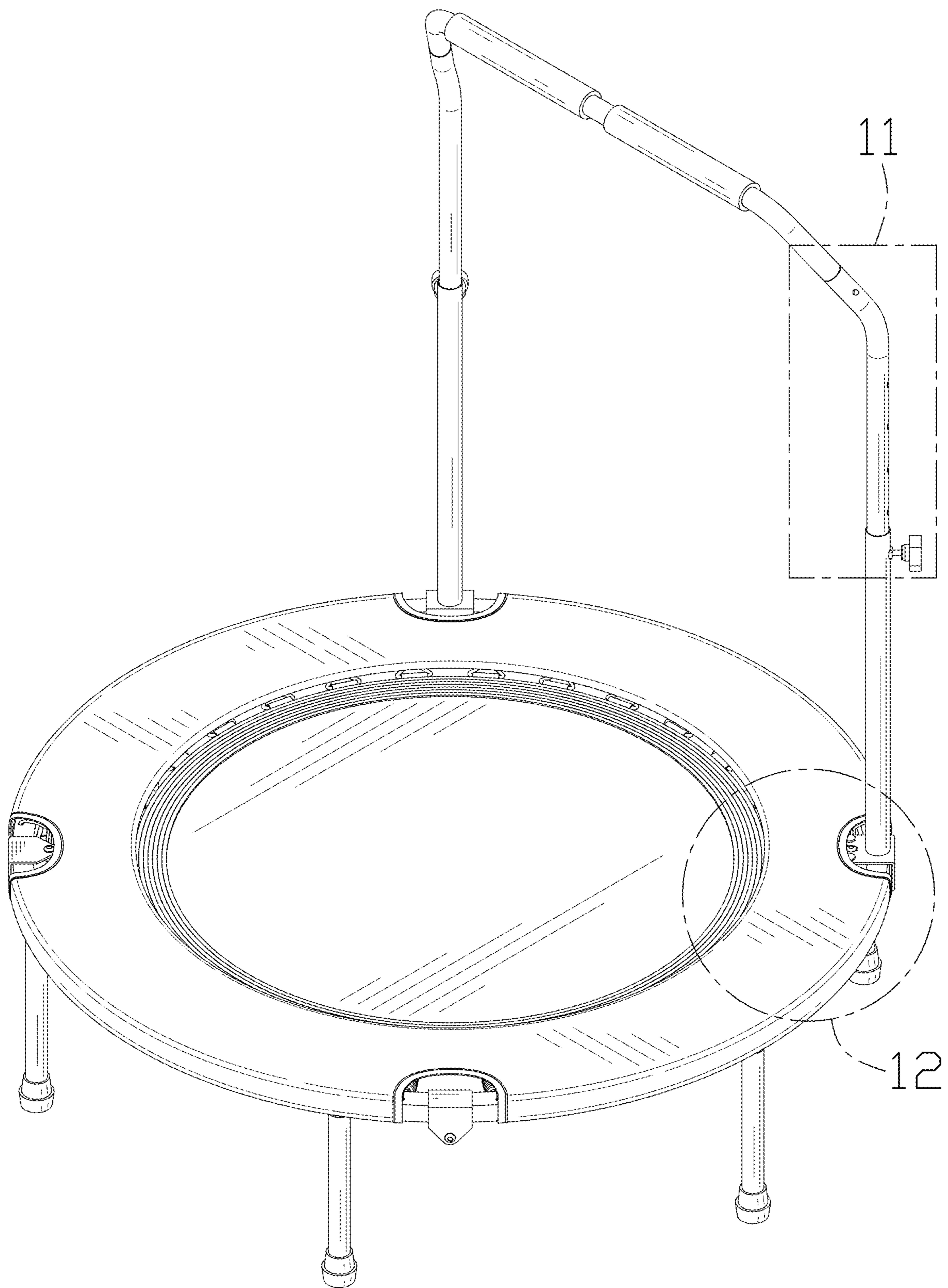


FIG. 1

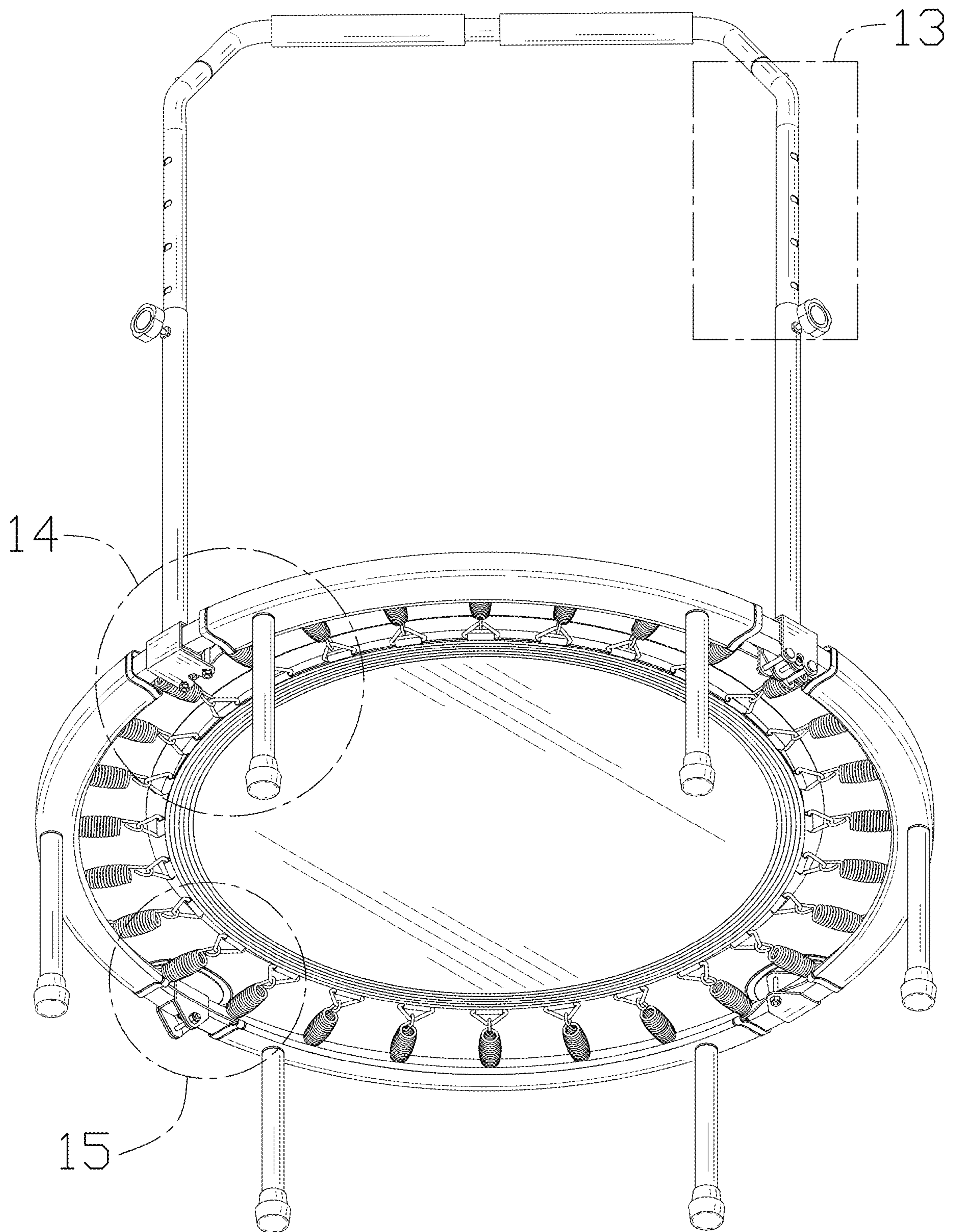


FIG. 2

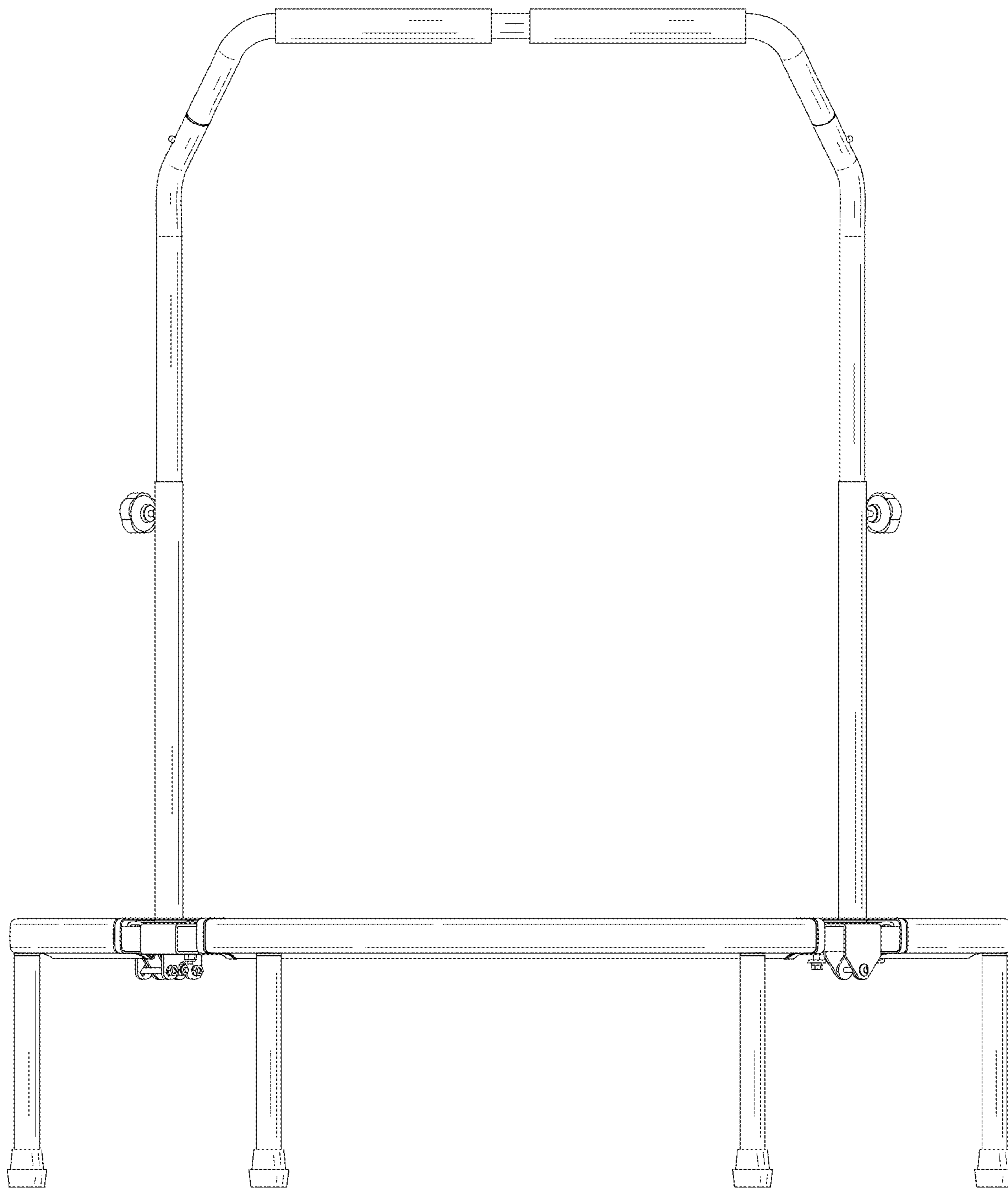


FIG. 3

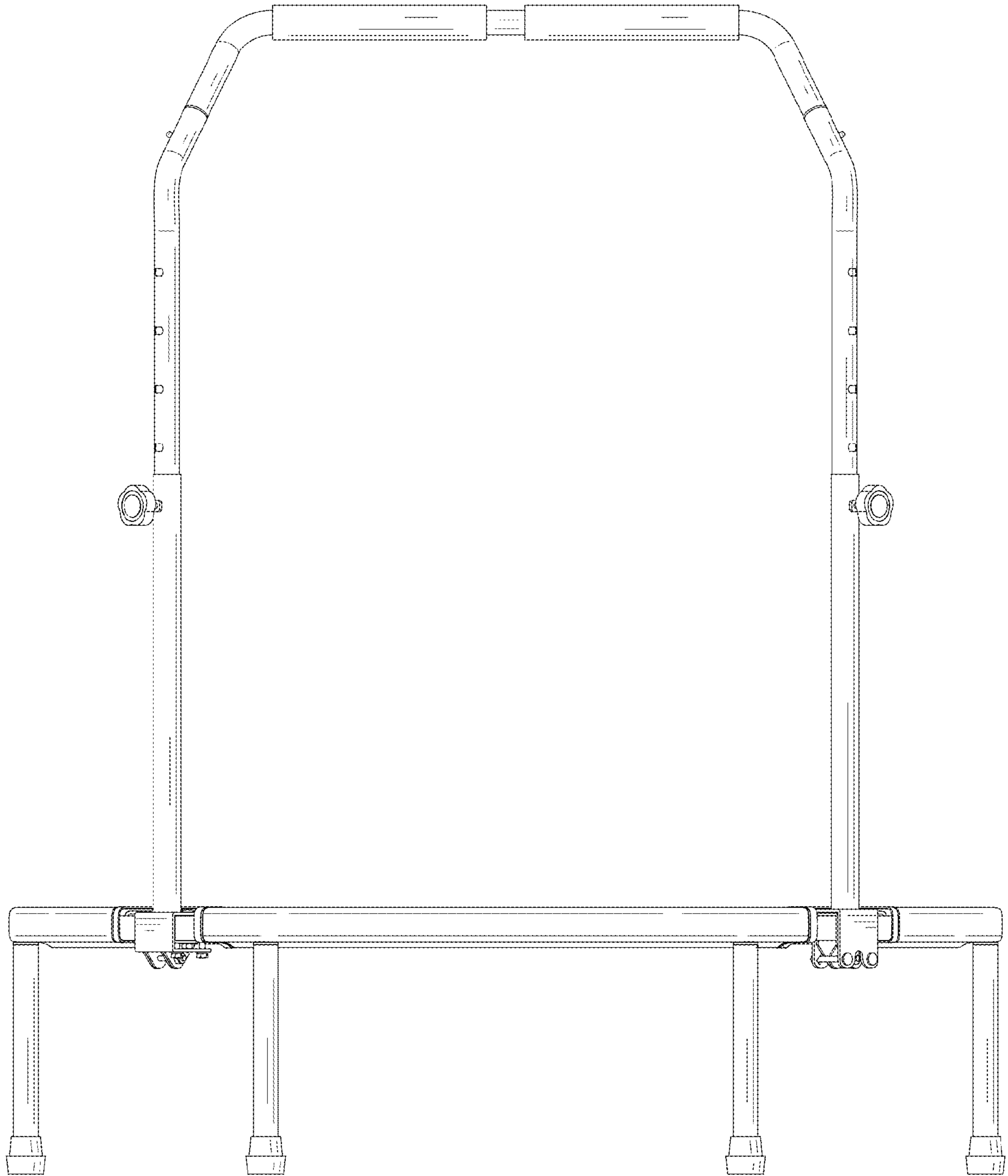


FIG. 4

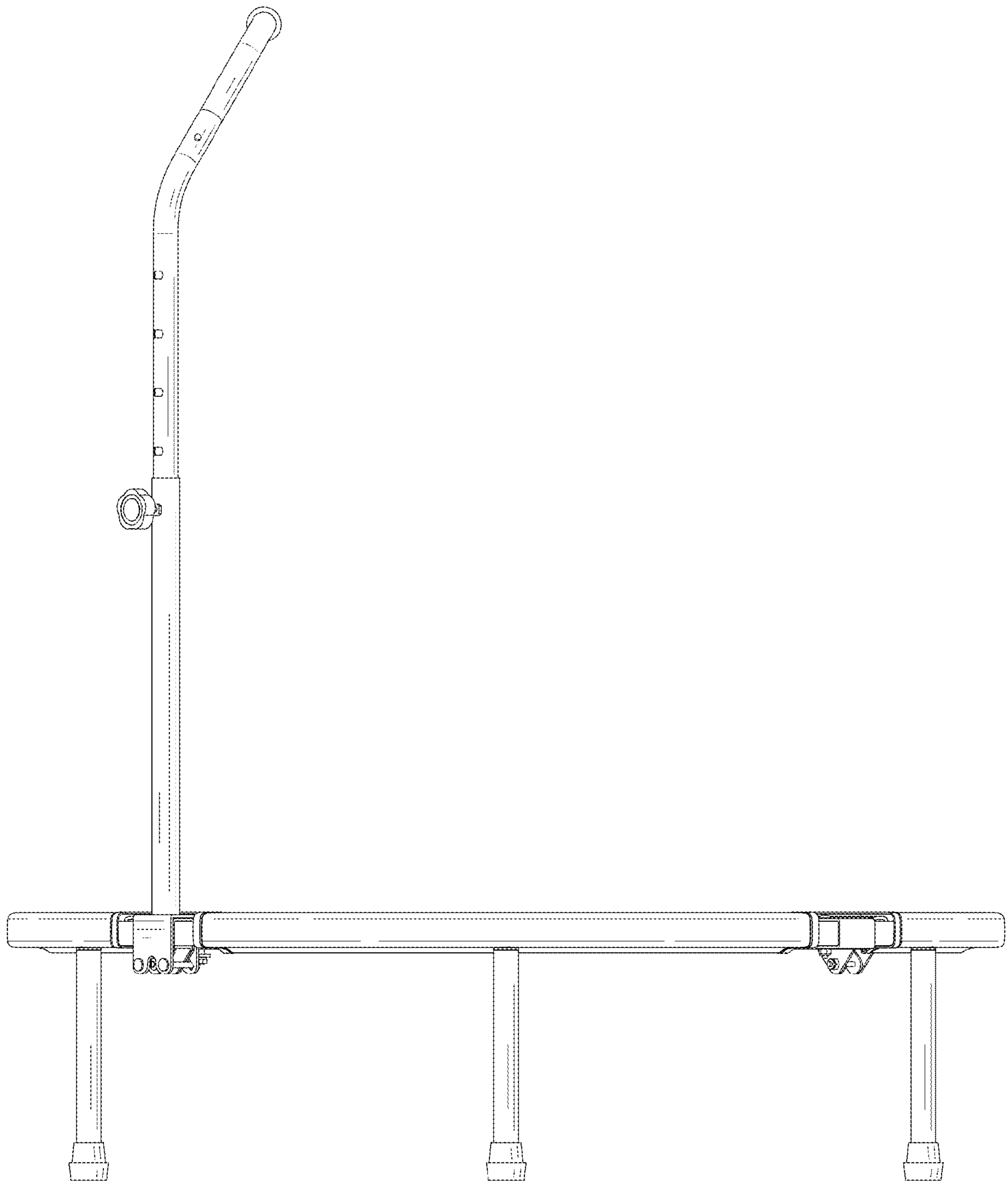


FIG. 5

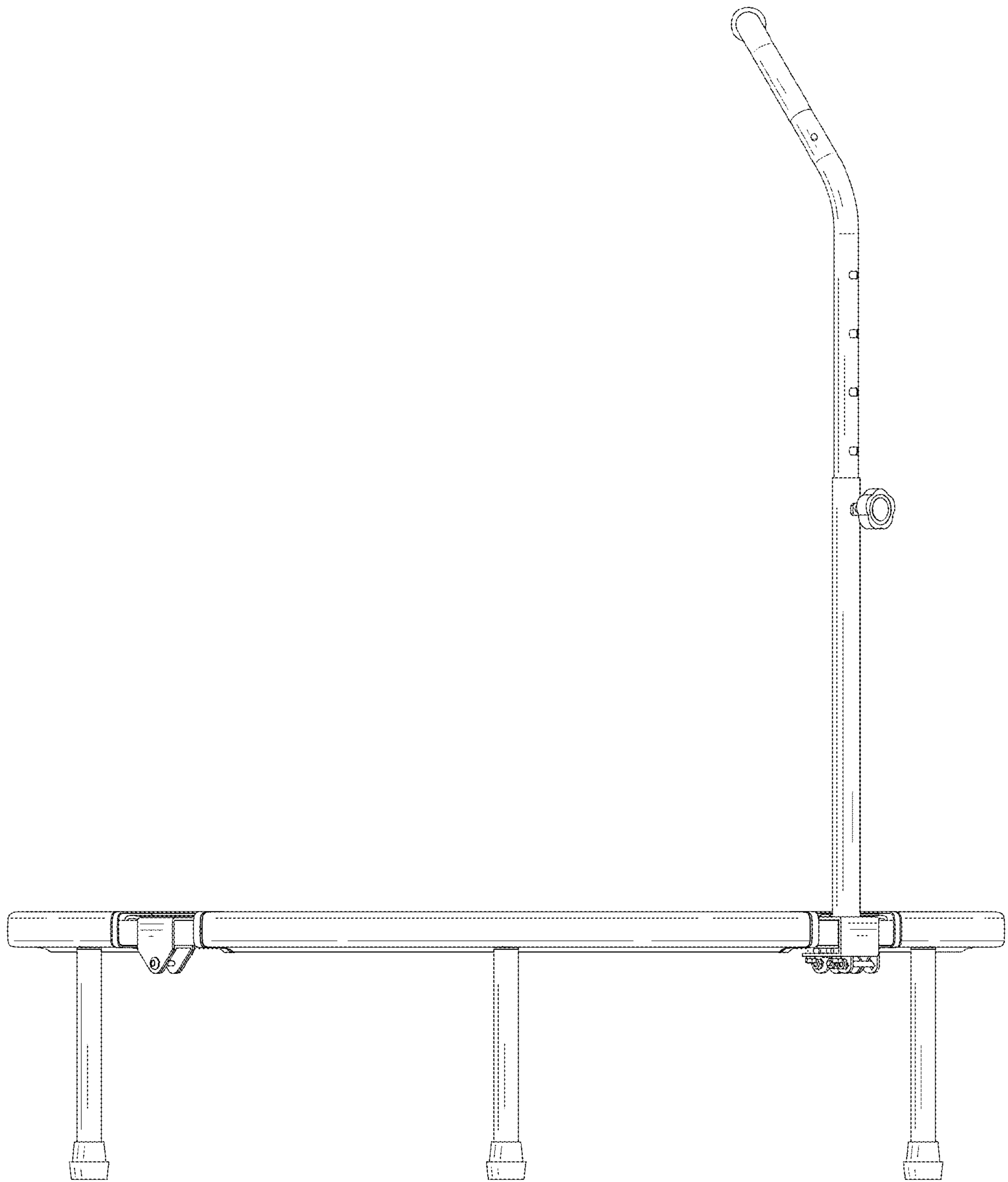


FIG. 6



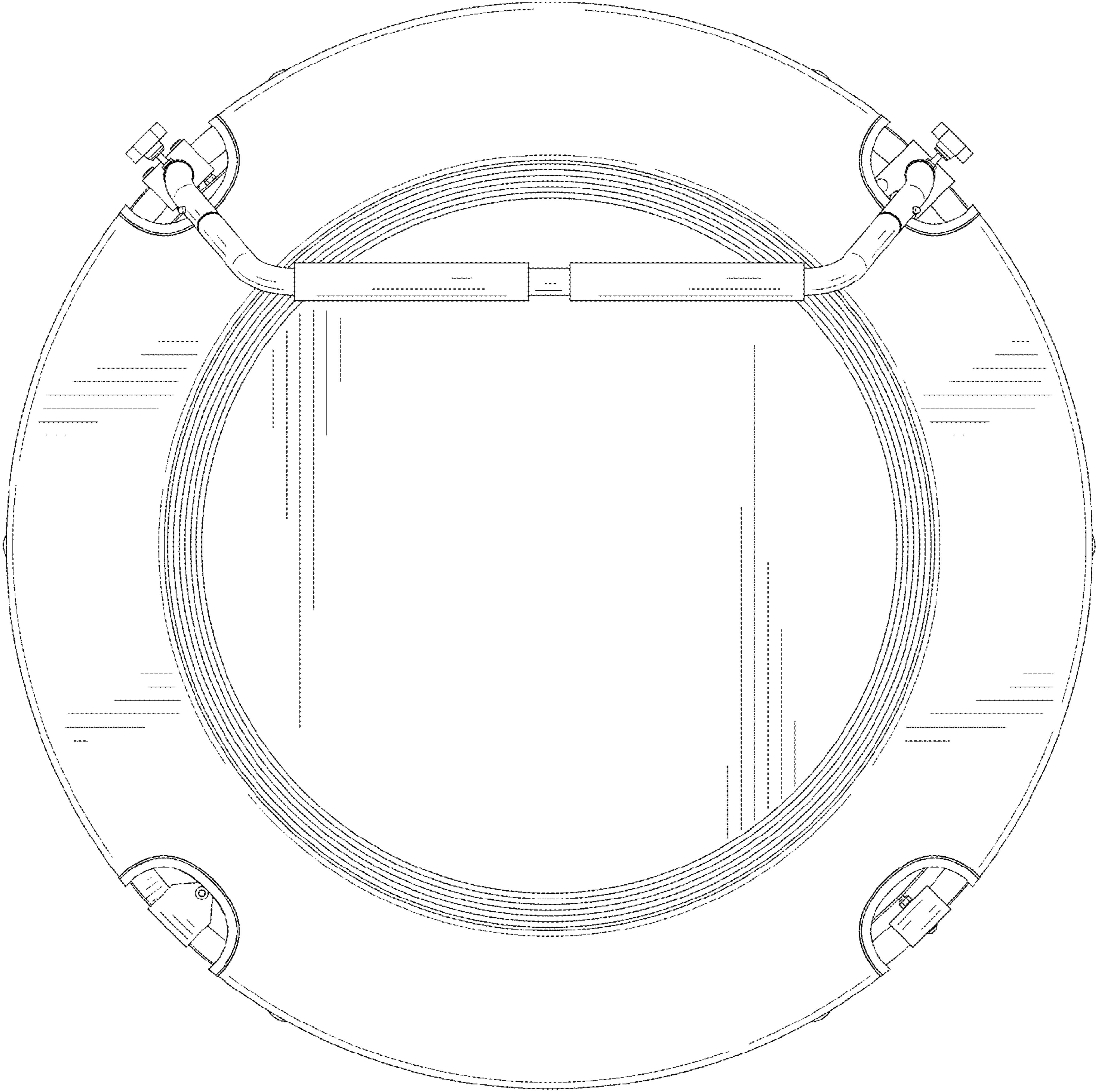


FIG. 7

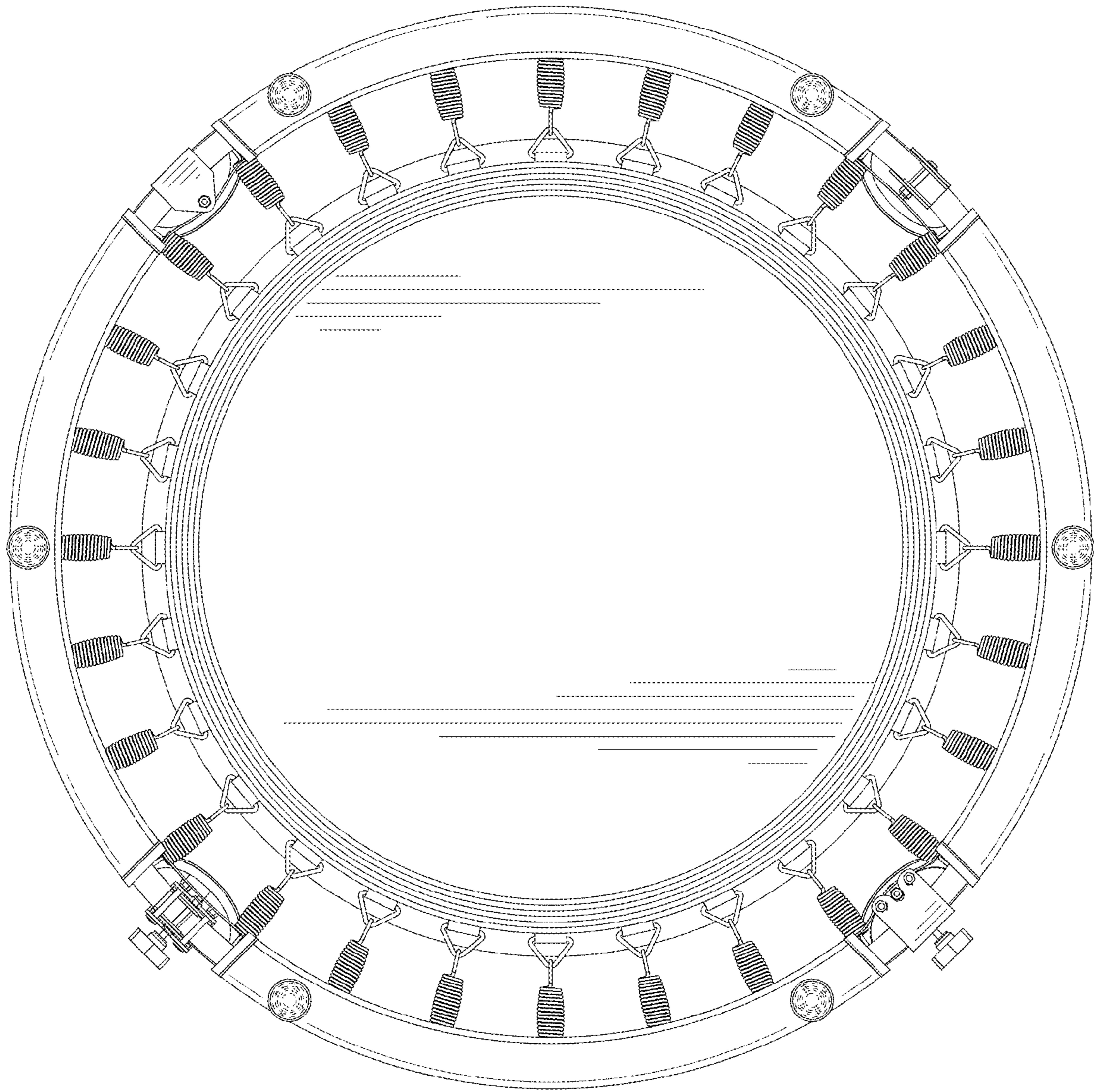


FIG. 8

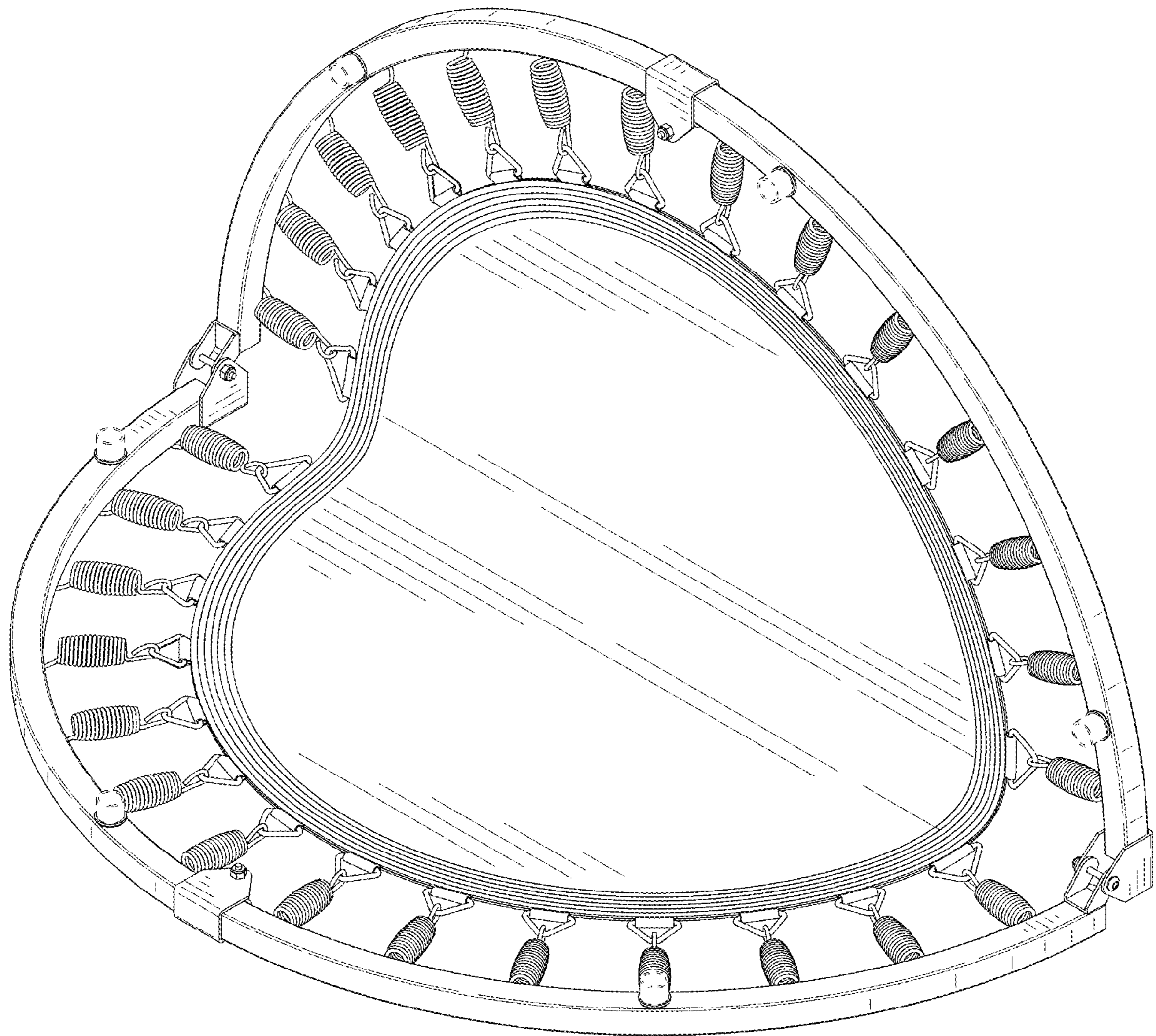


FIG. 9

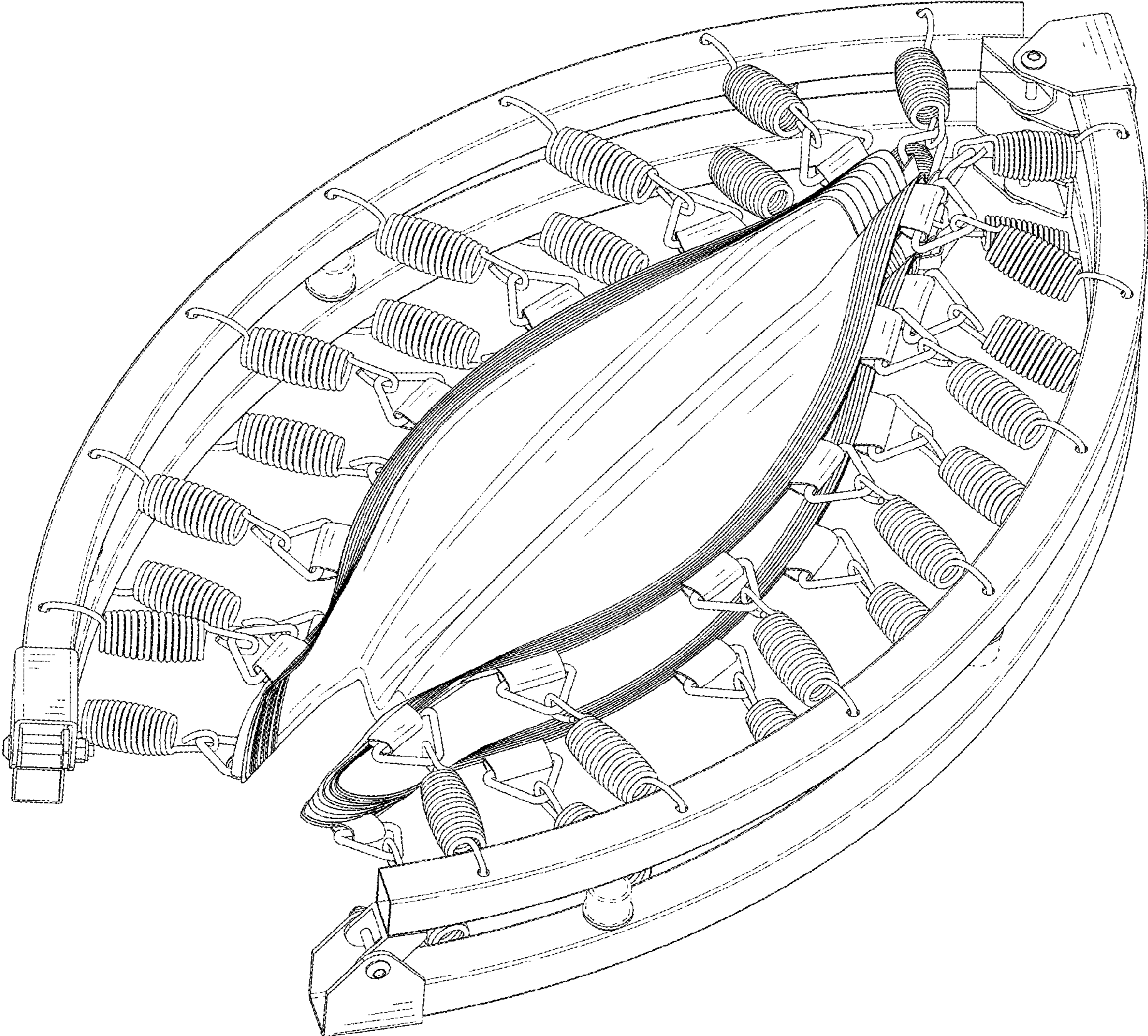


FIG. 10

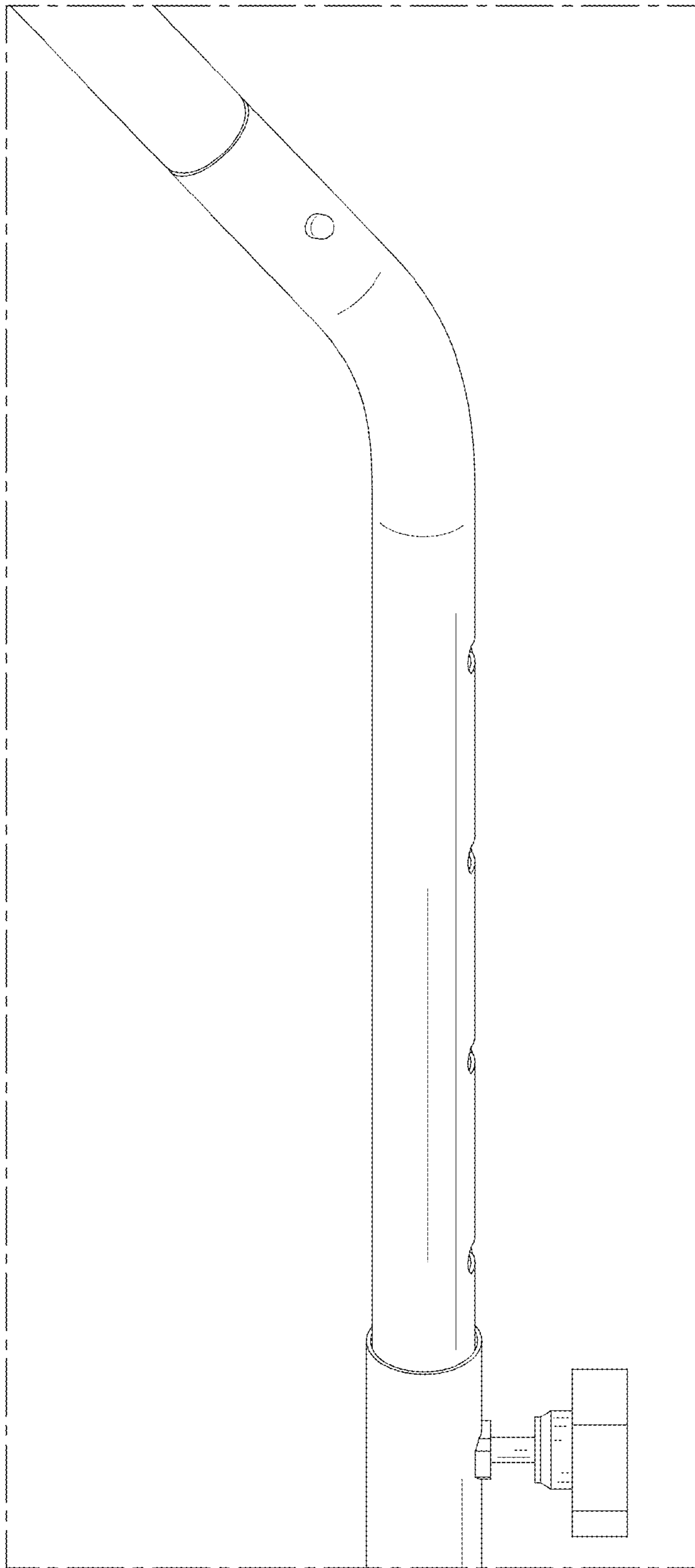


FIG. 11

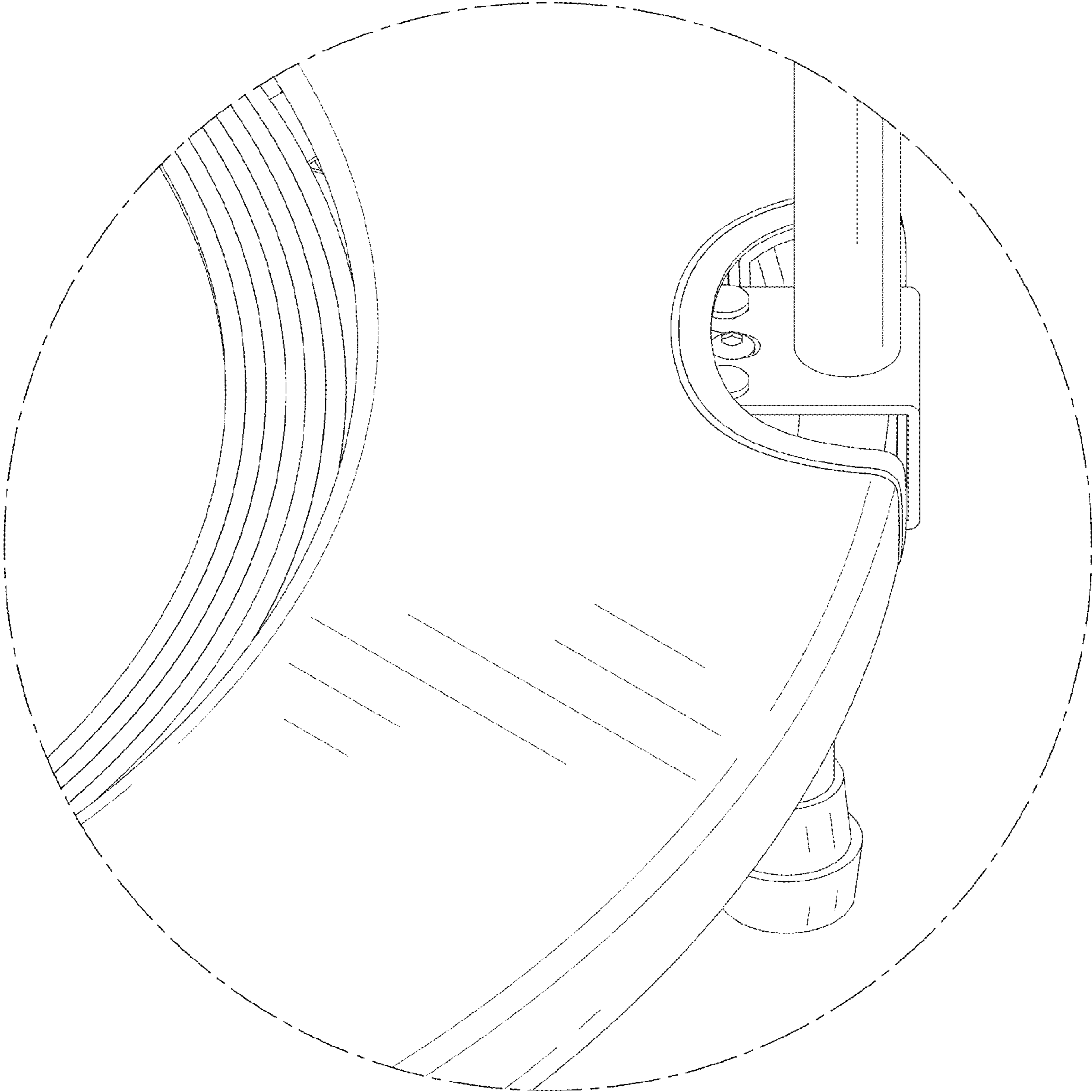


FIG. 12

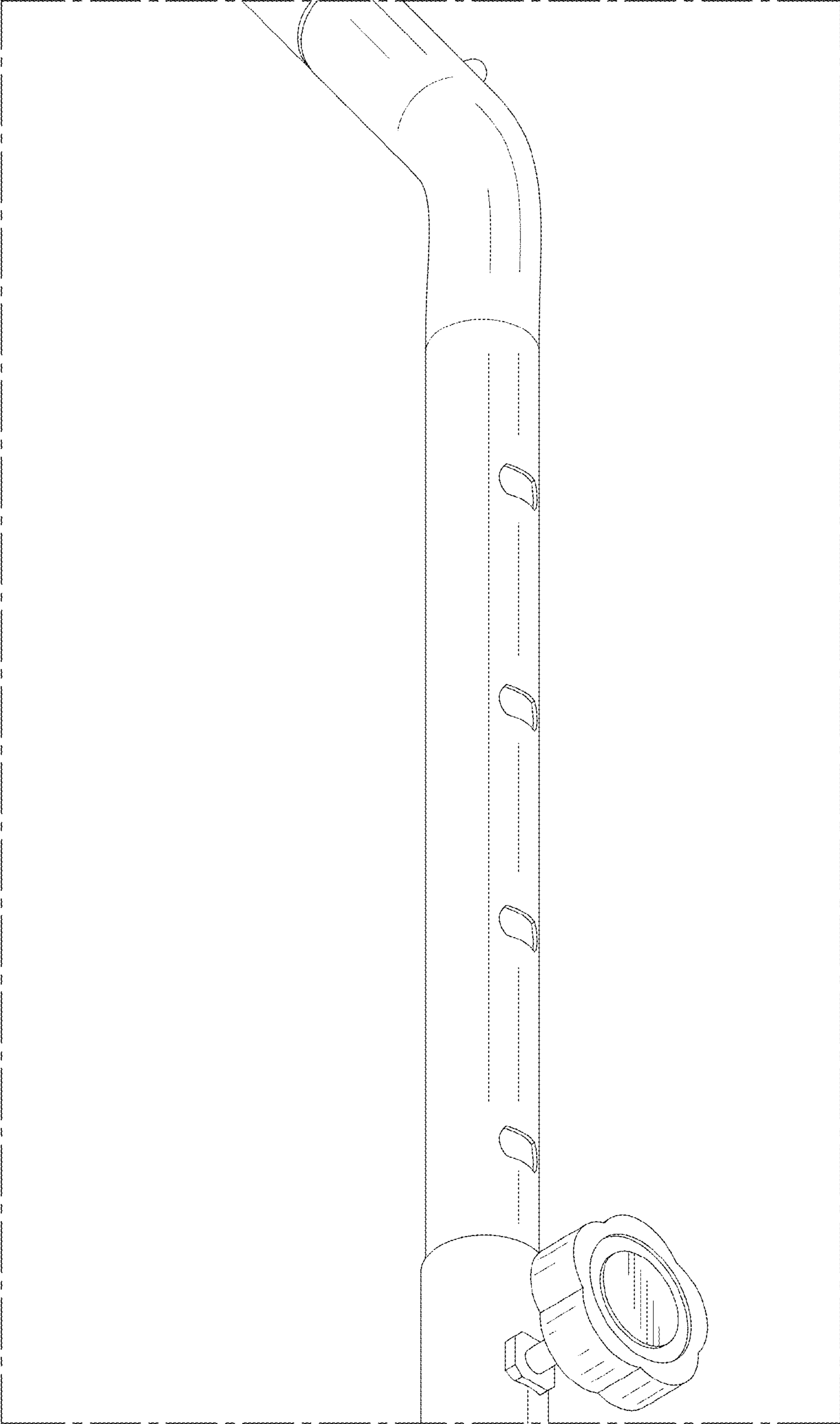


FIG. 13

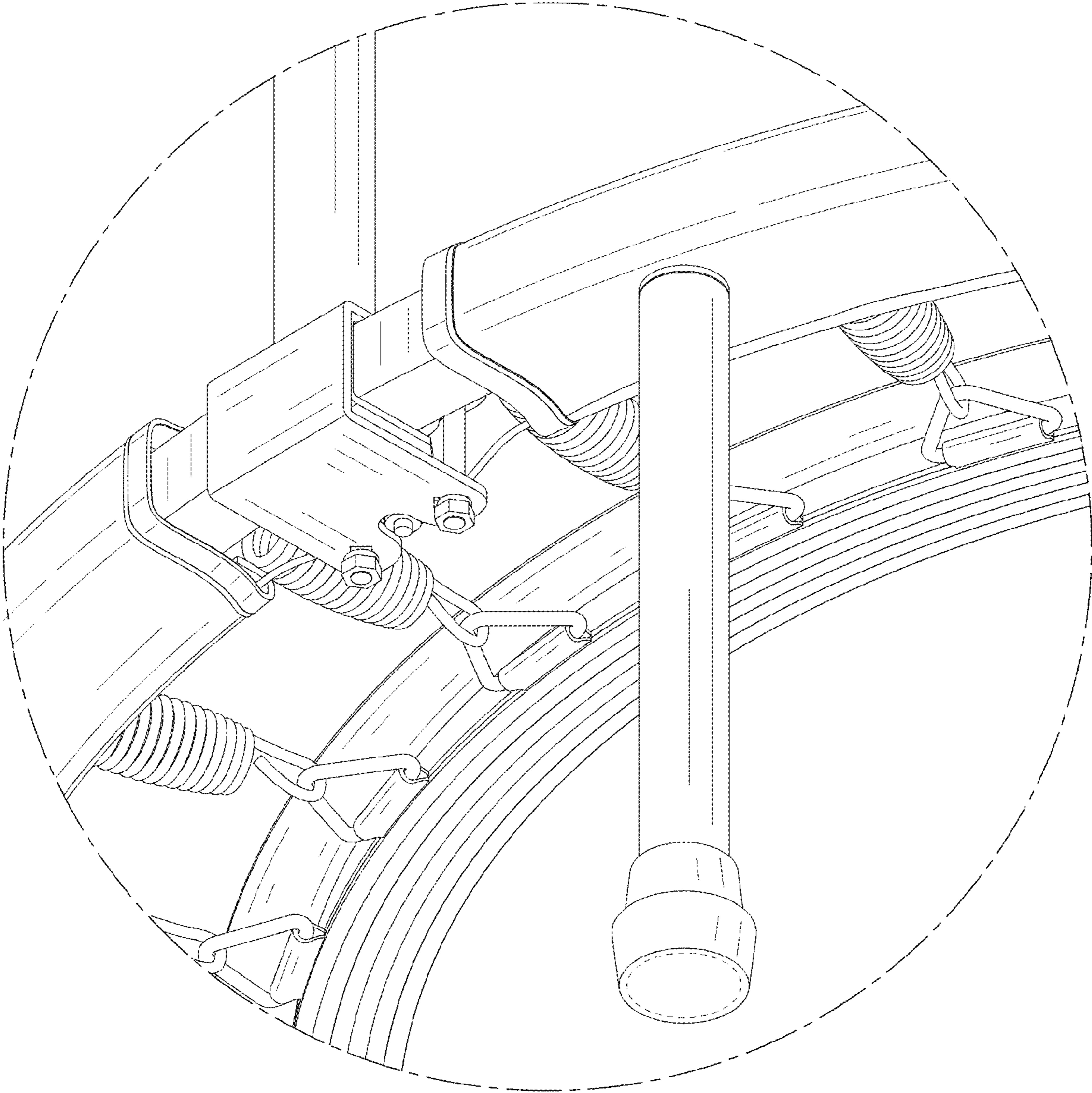


FIG. 14



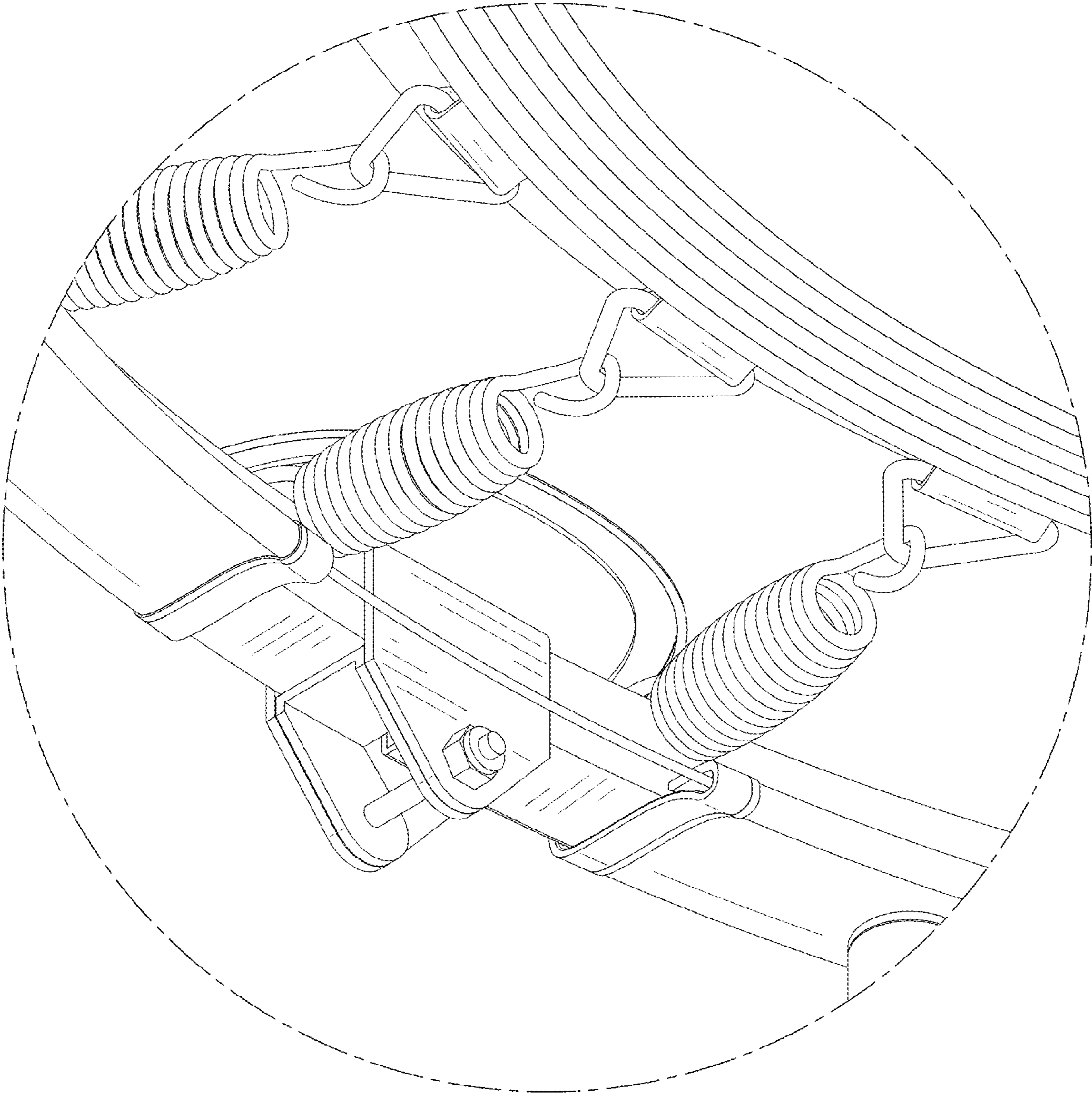


FIG. 15