



US00D936776S

(12) **United States Design Patent**  
**Means et al.**

(10) **Patent No.:** **US D936,776 S**

(45) **Date of Patent:** **\*\* Nov. 23, 2021**

- (54) **GOLF SWING PLAYING AID DEVICE**
- (71) Applicant: **Swing Memory Xccelerator LLC**,  
Shaker Heights, OH (US)
- (72) Inventors: **Robert P. Means**, Shaker Heights, OH  
(US); **Curt Geideman**, Grafton, OH  
(US)
- (73) Assignee: **SWING MEMORY**  
**XCCCELERATOR, LLC**, Shaker  
Heights, OH (US)
- (\*\*) Term: **15 Years**
- (21) Appl. No.: **29/707,289**
- (22) Filed: **Sep. 27, 2019**
- (51) **LOC (13) Cl.** ..... **21-02**
- (52) **U.S. Cl.**  
USPC ..... **D21/791**
- (58) **Field of Classification Search**  
USPC ..... D21/725, 780, 789, 791  
CPC ..... A63B 59/00; A63B 59/50–59/58; A63B  
59/80; A63B 60/00; A63B 60/46; A63B  
2102/00; A63B 2102/10; A63B 57/00;  
A63B 57/12; A63B 57/16; A63B 57/20;  
A63B 57/30; A63B 57/35  
See application file for complete search history.

- 5,954,591 A \* 9/1999 Liberatore ..... A63B 69/3608  
473/206
- 6,540,621 B1 4/2003 Robinson
- 6,612,936 B1 9/2003 Matias
- D485,325 S \* 1/2004 Rohan-Weaver ..... D21/789
- 6,923,727 B1 8/2005 Jacobs
- 6,991,554 B2 1/2006 Ryan
- 7,048,637 B2 \* 5/2006 McDonald ..... A63B 53/14  
473/203
- D523,105 S \* 6/2006 Bernacchi ..... D21/725
- 7,081,053 B2 7/2006 Kallassy
- 7,261,639 B2 8/2007 Smith
- 7,297,078 B2 \* 11/2007 Libonati ..... A63B 69/0002  
473/457
- 7,556,573 B2 7/2009 Beach
- 7,922,595 B2 4/2011 Libonati
- D659,212 S \* 5/2012 Smith ..... D21/753

(Continued)

*Primary Examiner* — Mitchell I. Siegel

(74) *Attorney, Agent, or Firm* — Renner, Otto, Boisselle  
& Sklar, LLP

(57) **CLAIM**

The ornamental design for a golf swing playing aid device,  
as shown and described.

**DESCRIPTION**

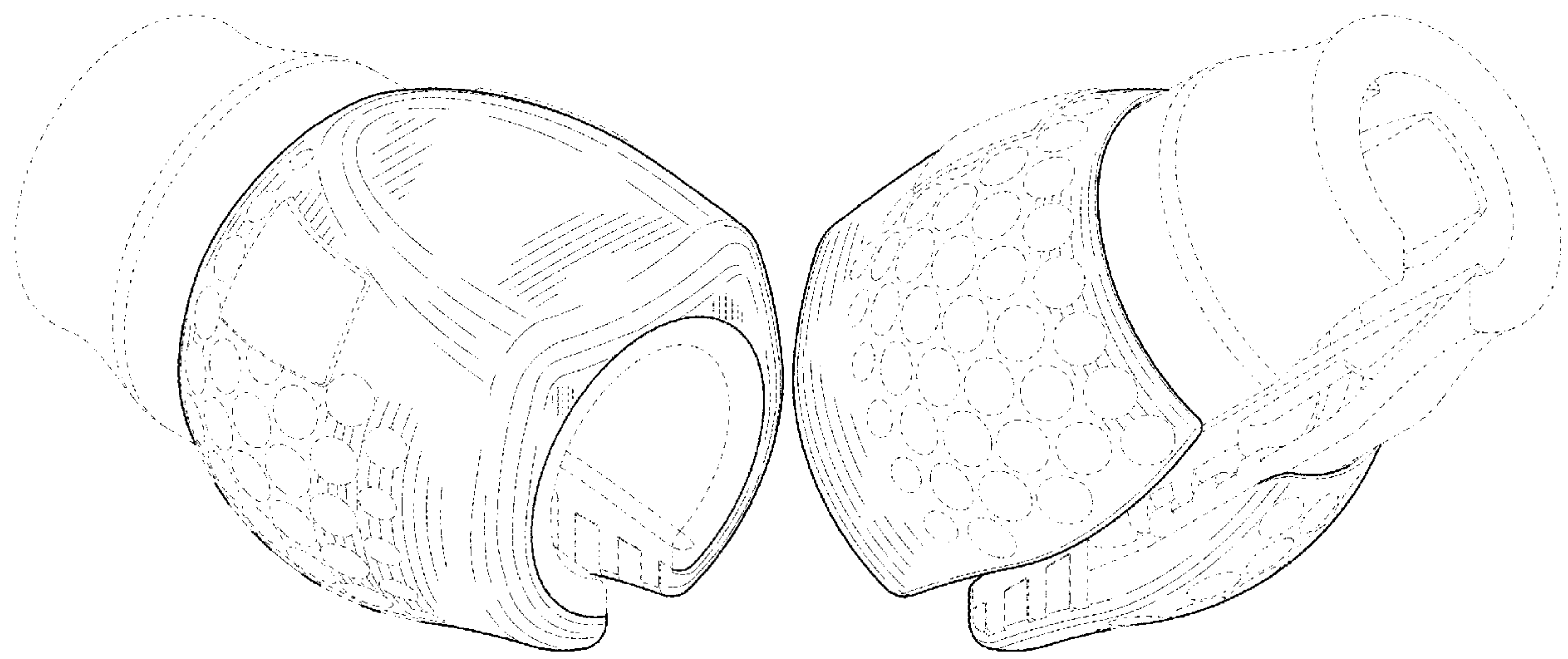
FIG. 1 is a top, front, left perspective view of a golf swing playing aid device showing our new design;  
 FIG. 2 is a bottom, rear, right perspective view thereof;  
 FIG. 3 is a left elevation view thereof;  
 FIG. 4 is a right elevation view thereof;  
 FIG. 5 is a top plan view thereof;  
 FIG. 6 is a bottom plan view thereof;  
 FIG. 7 is a rear elevation view thereof; and,  
 FIG. 8 is a front elevation view thereof.  
 The broken line showing is for the purpose of illustrating portions of the golf swing playing aid device and forms no part of the claimed design.

**1 Claim, 4 Drawing Sheets**

(56) **References Cited**

U.S. PATENT DOCUMENTS

715,225	A	12/1902	Whitner	
4,804,181	A	2/1989	Foster	
4,981,297	A	1/1991	Foster	
5,042,811	A	8/1991	D Amico	
5,509,809	A	4/1996	Clay	
5,527,039	A	6/1996	Levesque	
5,711,718	A *	1/1998	Mueller	..... A63B 60/04 473/234
5,776,006	A *	7/1998	Gruber	..... A63B 69/3638 473/256



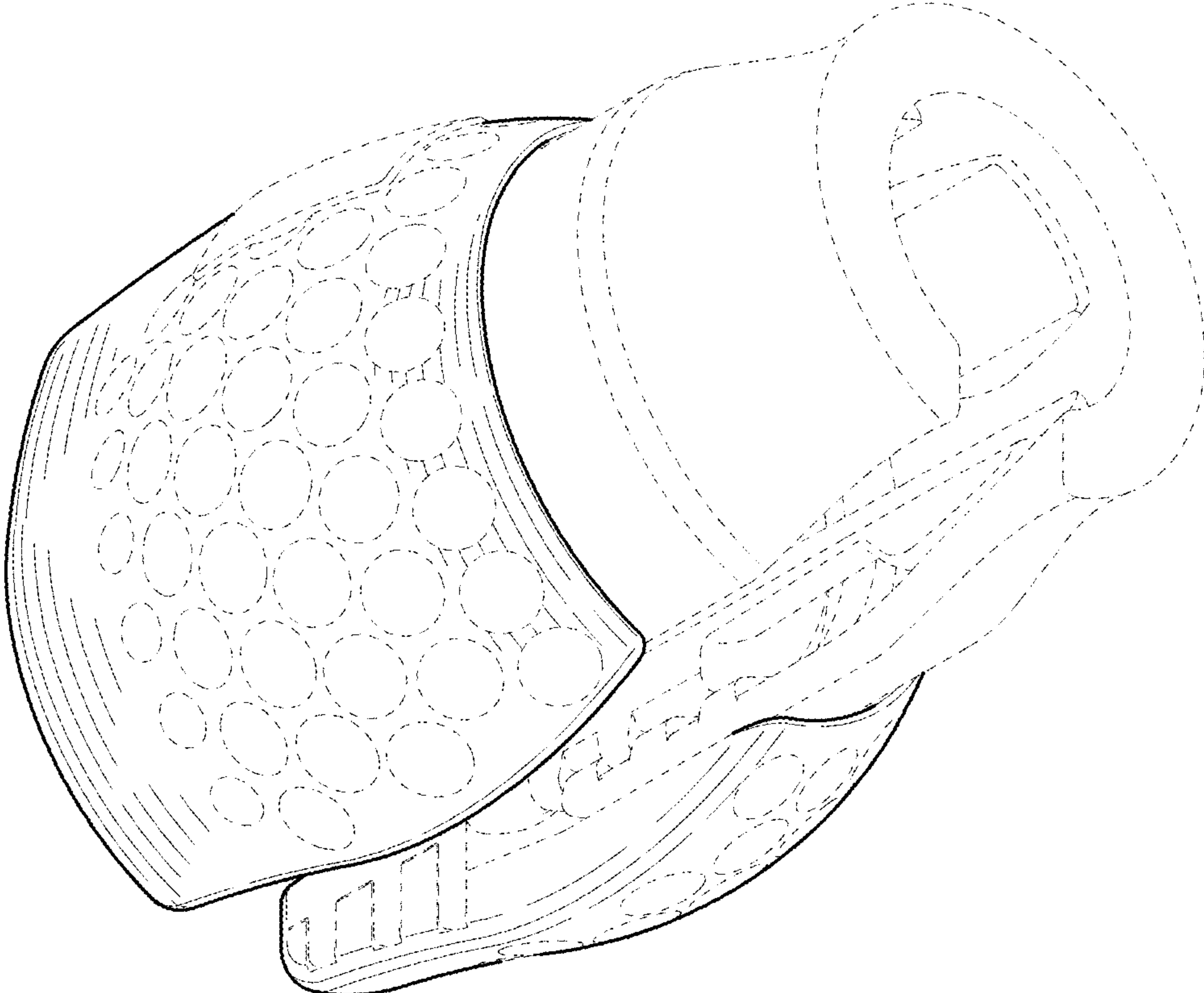
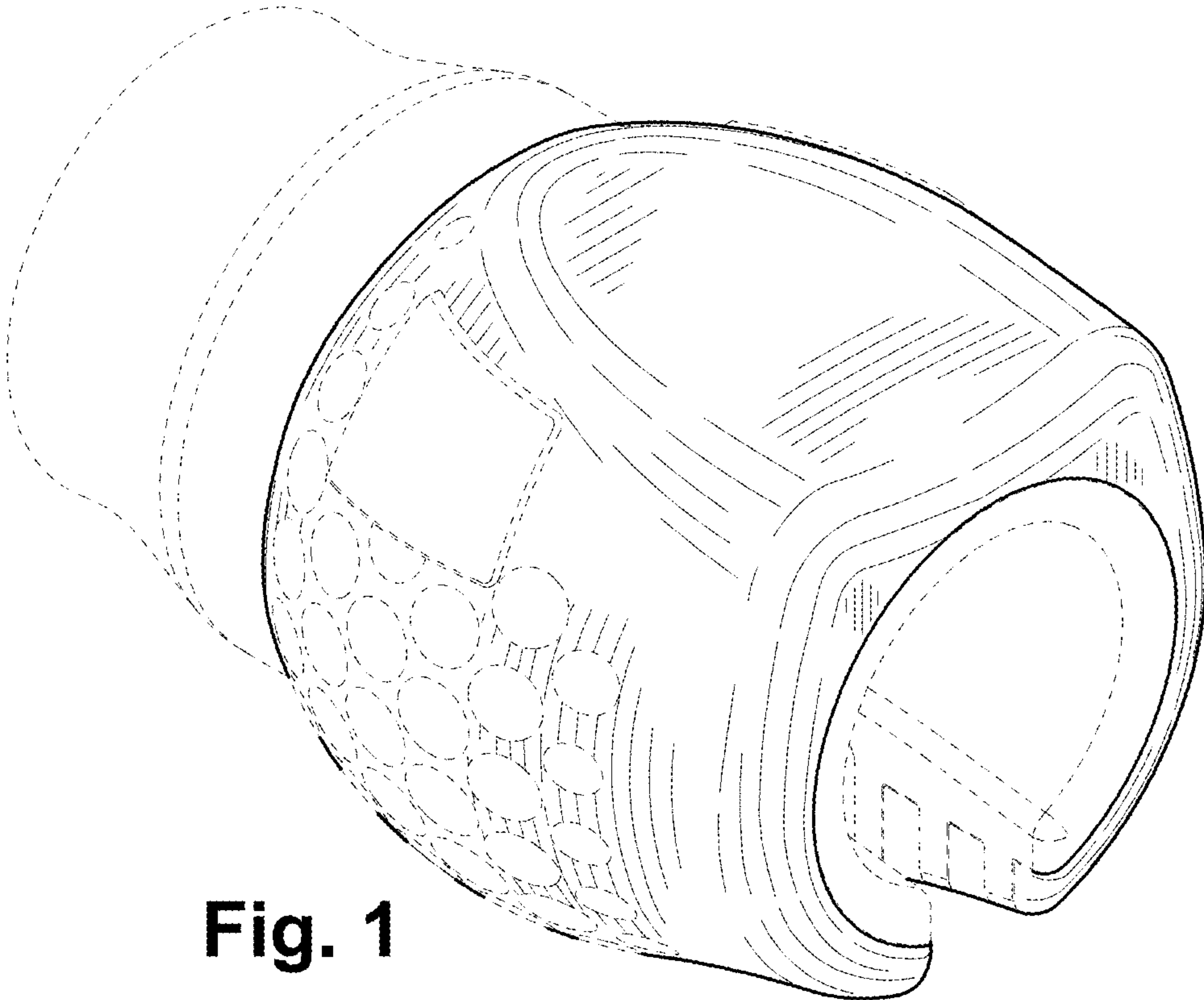
(56)

**References Cited**

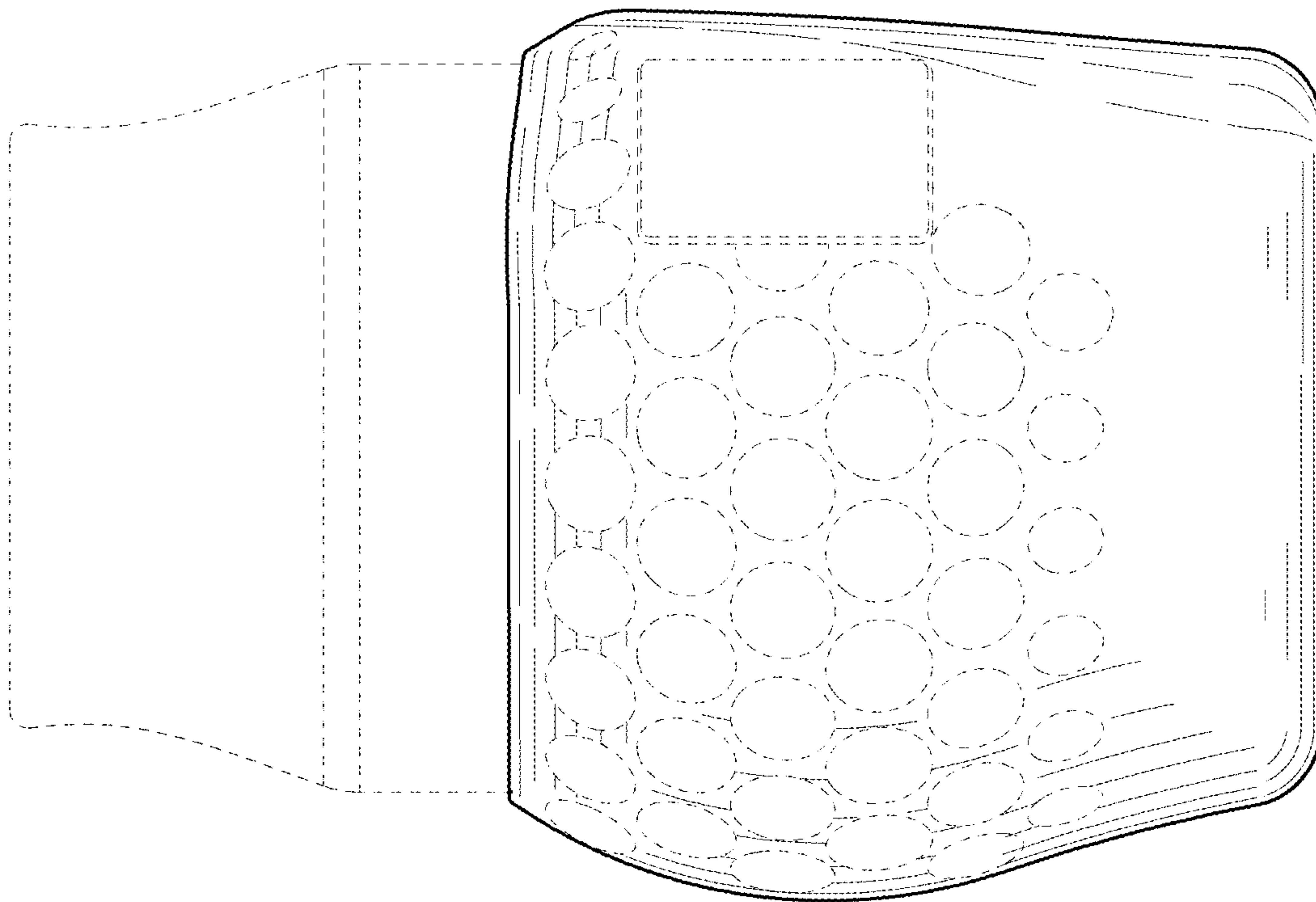
U.S. PATENT DOCUMENTS

D665,471 S \* 8/2012 Fossum ..... D21/753  
D665,958 S \* 8/2012 Johnson ..... D32/25  
D670,776 S \* 11/2012 Fossum ..... D21/753  
D678,967 S \* 3/2013 Fossum ..... D21/753  
D682,964 S \* 5/2013 Smith ..... D21/753  
8,540,584 B1 \* 9/2013 Sorenson ..... A63B 15/005  
473/256  
D733,235 S \* 6/2015 Smith ..... D21/753  
D767,697 S \* 9/2016 Deggs ..... D21/753  
D769,384 S \* 10/2016 Altemus, Jr. .... D21/759  
D769,390 S \* 10/2016 Wang ..... D21/791  
9,687,718 B1 \* 6/2017 Sorenson ..... A63B 69/385  
D808,483 S \* 1/2018 Wang ..... D21/791  
D808,484 S \* 1/2018 Oyler ..... D21/791  
D821,519 S \* 6/2018 Oyler ..... D21/791  
D828,883 S \* 9/2018 Volpis ..... D21/753  
D844,728 S \* 4/2019 Oyler ..... D21/791  
D871,530 S \* 12/2019 Hamilton ..... D21/753  
10,799,781 B1 \* 10/2020 Means ..... A63B 71/0622

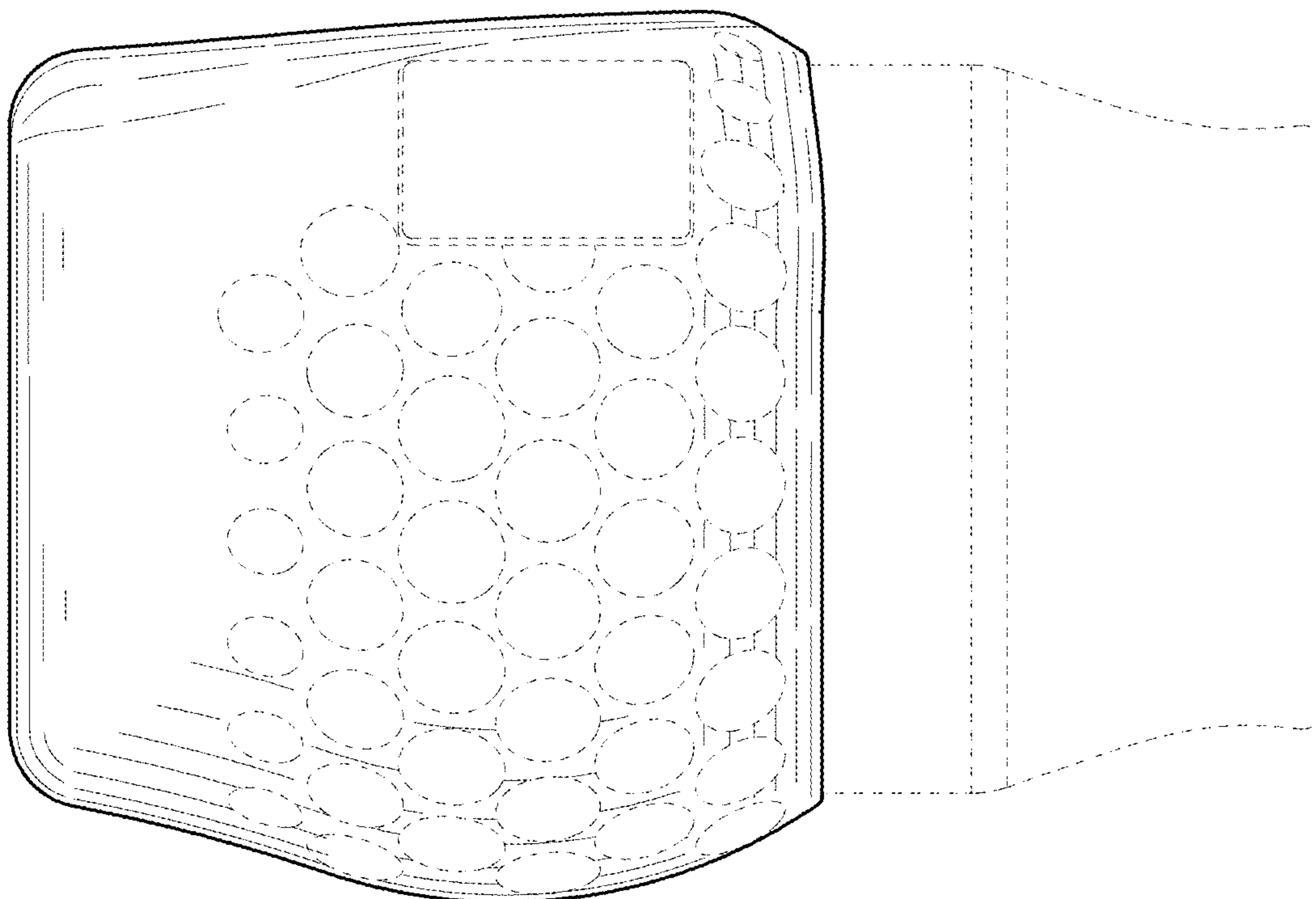
\* cited by examiner



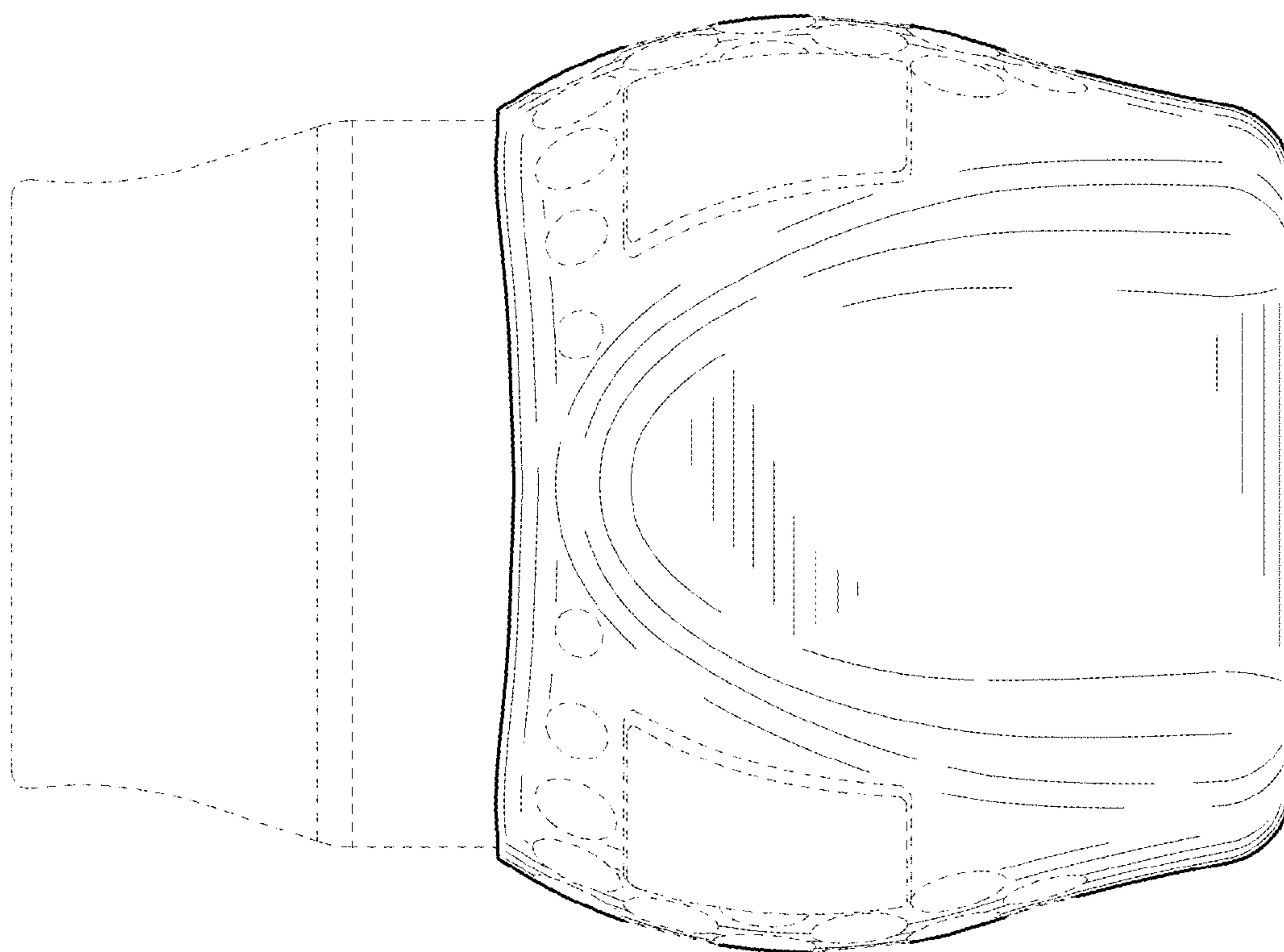




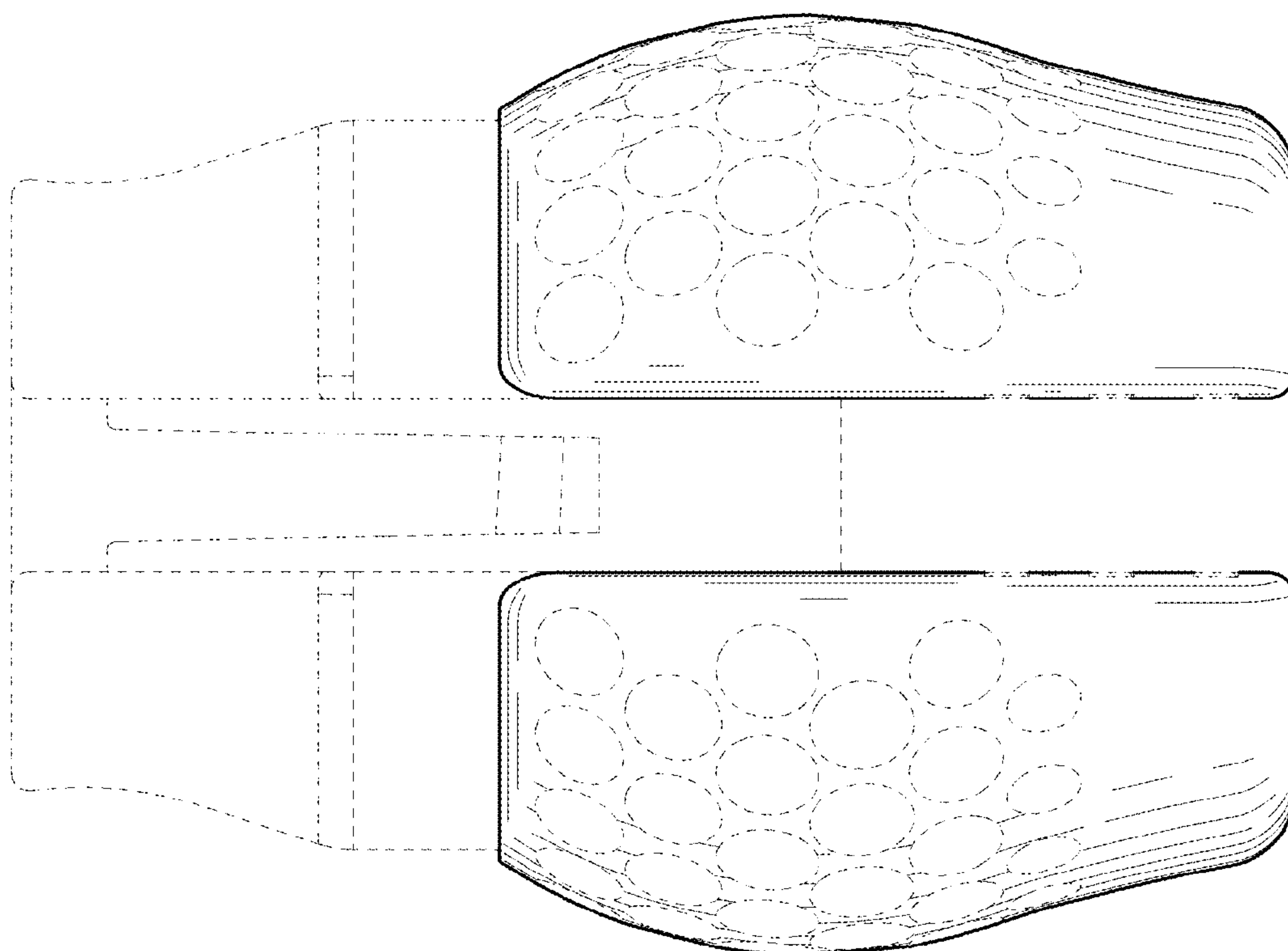
**Fig. 3**



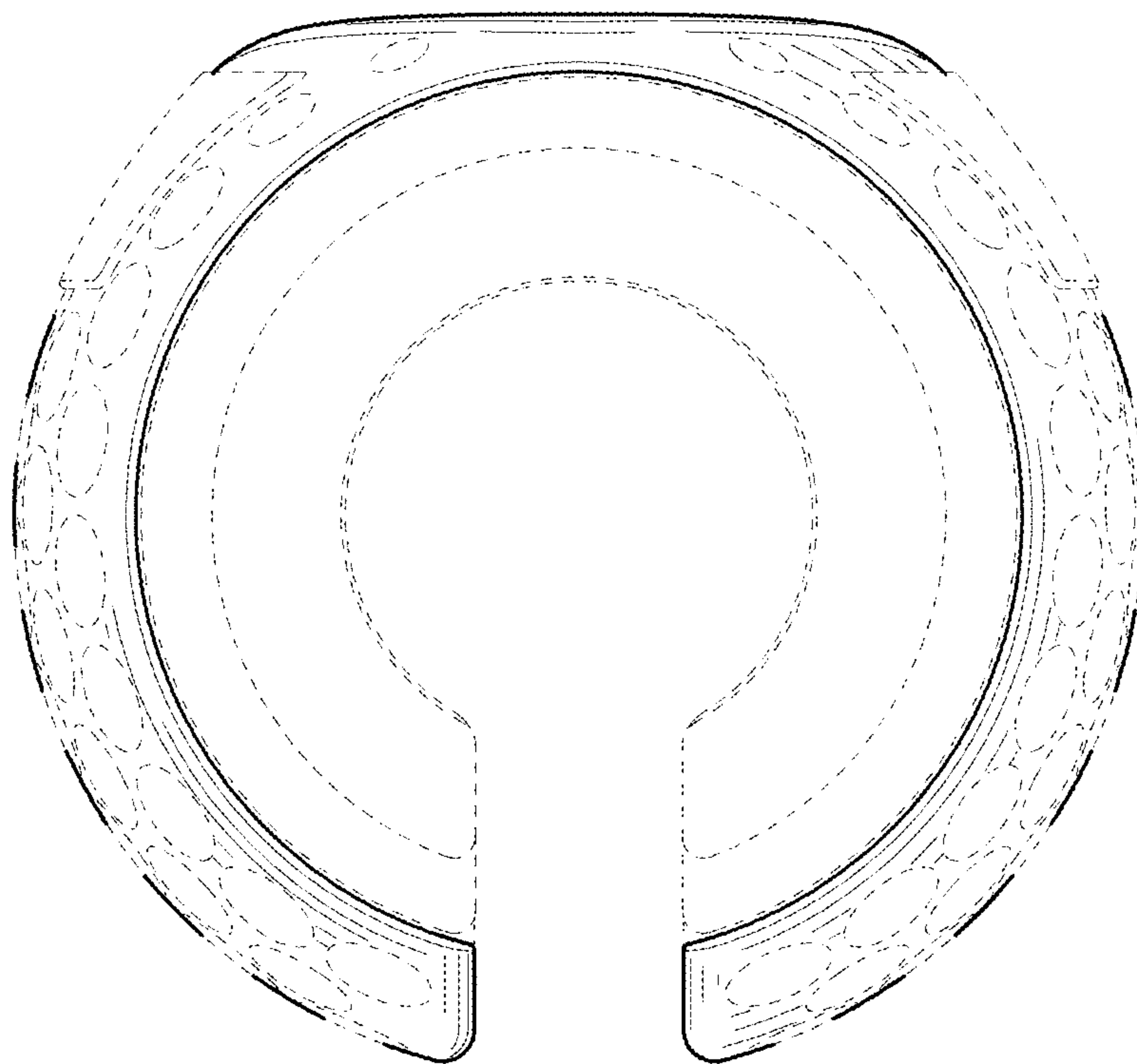
**Fig. 4**



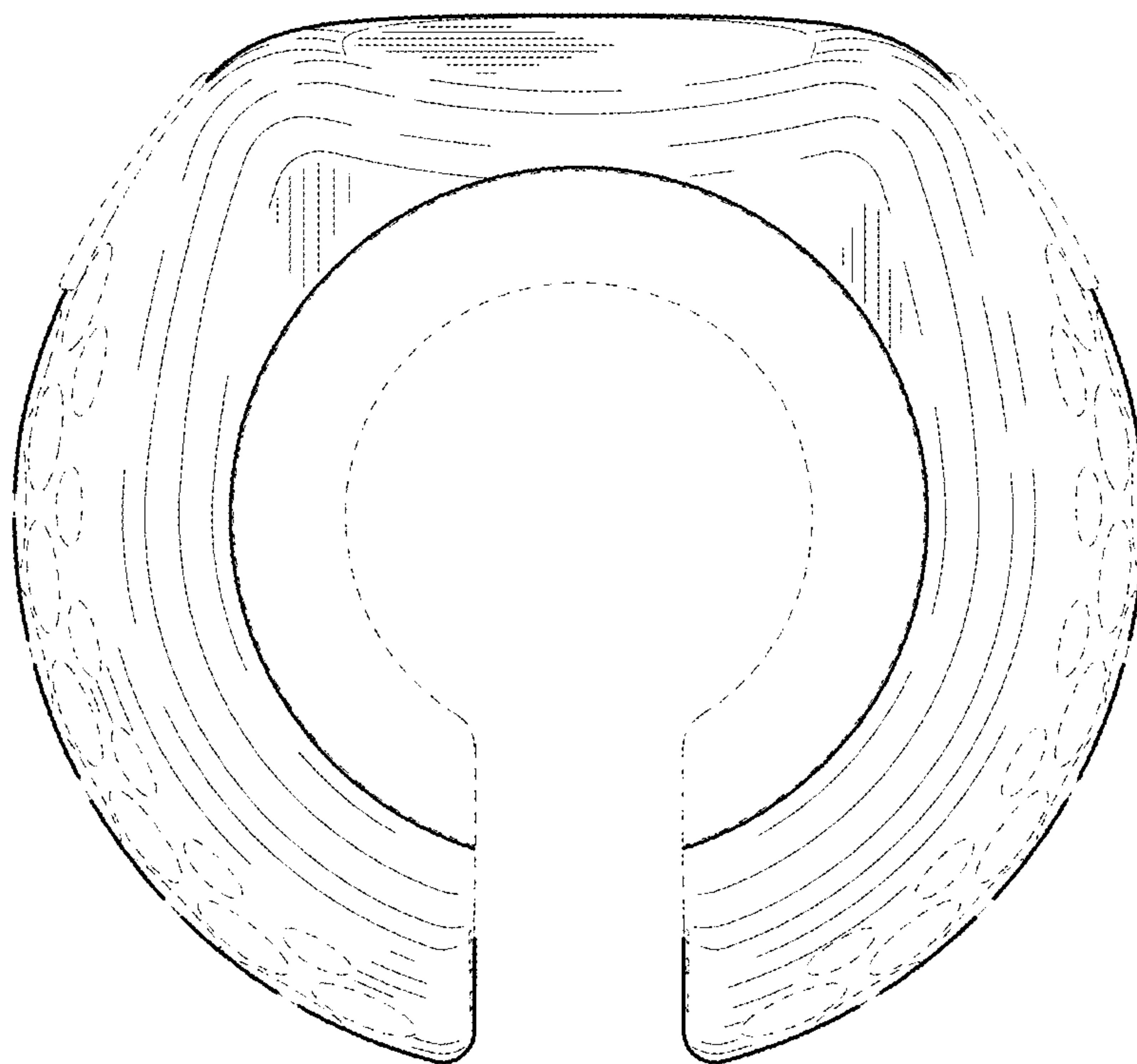
**Fig. 5**



**Fig. 6**



**Fig. 7**



**Fig. 8**