



US00D936774S

(12) **United States Design Patent** (10) **Patent No.:** **US D936,774 S**
Dong (45) **Date of Patent:** **** Nov. 23, 2021**

(54) **SKATEBOARD**

(71) Applicant: **Qianhai Qianyi (Shenzhen) Technology Co., Ltd., Shenzhen (CN)**

(72) Inventor: **Qingqing Dong, Shenzhen (CN)**

(73) Assignee: **Qianhai Qianyi (Shenzhen) Technology Co., Ltd., Shenzhen (CN)**

(**) Term: **15 Years**

(21) Appl. No.: **29/764,774**

(22) Filed: **Jan. 2, 2021**

(51) **LOC (13) Cl.** **21-02**

(52) **U.S. Cl.**
USPC **D21/765**

(58) **Field of Classification Search**
USPC D21/419, 421, 423, 760, 763, 765, 771
CPC A63C 17/01; A63C 17/011; A63C 17/012;
A63C 17/013; A63C 17/014; A63C 17/015; A63C 17/017; A63C 2203/42
See application file for complete search history.

(56) **References Cited**

U.S. PATENT DOCUMENTS

D222,158 S *	10/1971	Noches	D21/765
D261,544 S	10/1981	Cramer		
4,337,963 A *	7/1982	Stevenson	A63C 17/017 280/610
D422,661 S *	4/2000	Edwards	D21/765
D682,379 S *	5/2013	Fox	D21/765
D692,079 S *	10/2013	Mackay	D21/765
D703,780 S *	4/2014	Fox	D21/765
D709,154 S *	7/2014	Brotherson	D21/765
D723,642 S *	3/2015	Fissell	D21/765
D728,048 S *	4/2015	Stover	D21/765
D733,241 S *	6/2015	Fissell	D21/765
D745,617 S *	12/2015	Jensen	D21/765
D824,464 S *	7/2018	Garner	D21/765

D825,014 S	8/2018	Giang		
2013/0001910 A1 *	1/2013	Hsu	A63C 17/014 280/87.042
2017/0007909 A1 *	1/2017	Mackay	A63C 17/017

OTHER PUBLICATIONS

Merkapa 22" Complete Skateboard with Colorful LED Light Up Wheels for Beginners, Date First Available: May 1, 2019, [online], [site visited Sep. 22, 2021]. Available from Internet: <URL:https://www.amazon.com/Merkapa-Complete-Skateboard-Colorful-Beginners/dp/B015GUR3Y4/> (Year: 2019).*
Penny Australia, 27 Inch Bright Light Board, The Original Plastic Skateboard, Date First Available: Feb. 11, 2020 [online], [site visited Sep. 22, 2021]. Available from Internet: <URL:https://www.amazon.com/dp/B084P6WC7L/> (Year: 2020).*

* cited by examiner

Primary Examiner — Cynthia M. Chin
(74) *Attorney, Agent, or Firm* — Zhihua Han; Wen IP LLC

(57) **CLAIM**

The ornamental design for a skateboard, as shown and described.

DESCRIPTION

FIG. 1 is a perspective photographic view of a skateboard, showing my new design;
FIG. 2 is a front elevation photographic view thereof;
FIG. 3 is a rear elevation photographic view thereof;
FIG. 4 is a left side elevation photographic view thereof;
FIG. 5 is a right side elevation photographic view thereof;
FIG. 6 is a top plan photographic view thereof;
FIG. 7 is a bottom plan photographic view thereof;
FIG. 8 is a perspective photographic view thereof, showing front, bottom and right view;
FIG. 9 is a perspective photographic view thereof, showing rear, top and right view; and,
FIG. 10 is a perspective photographic view thereof, showing rear, bottom and left view.

1 Claim, 10 Drawing Sheets

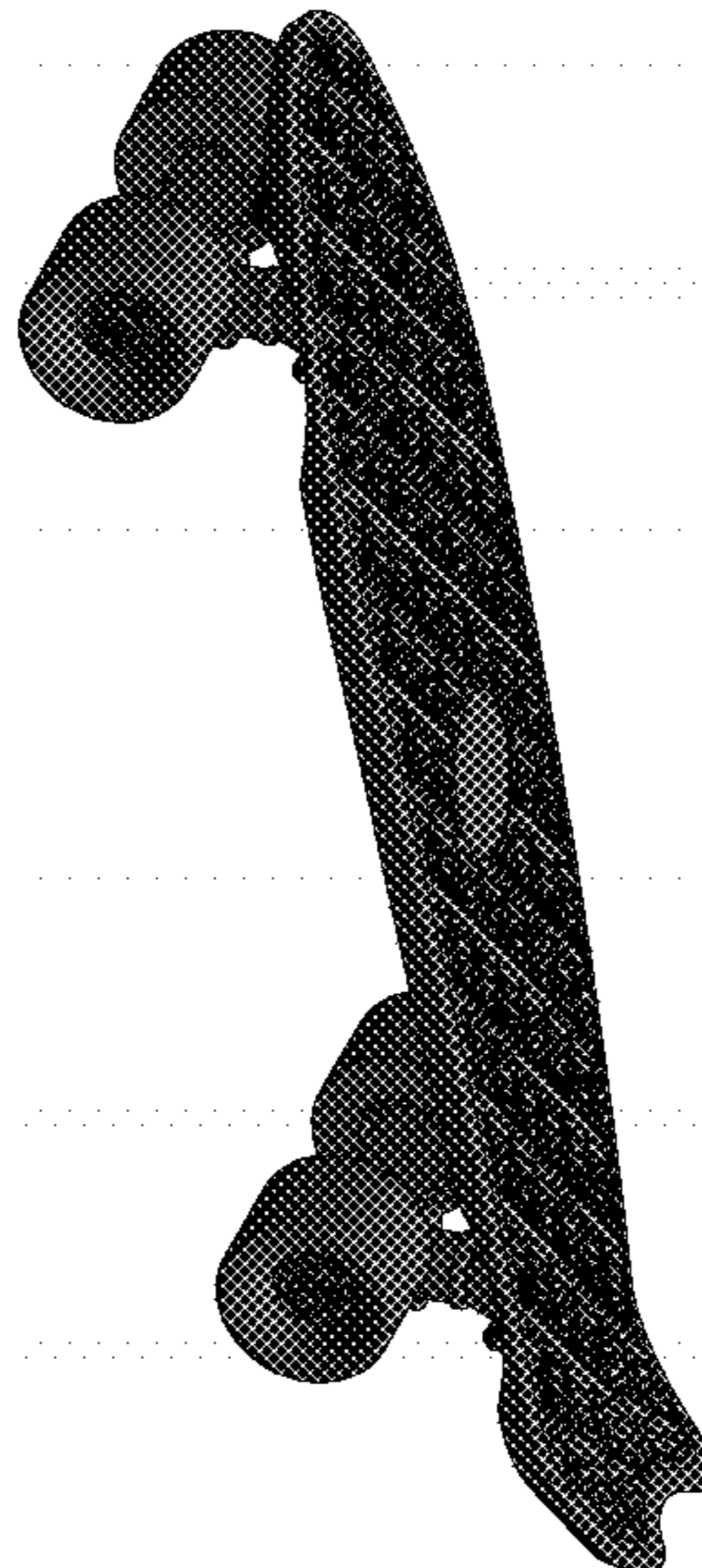




FIG. 1

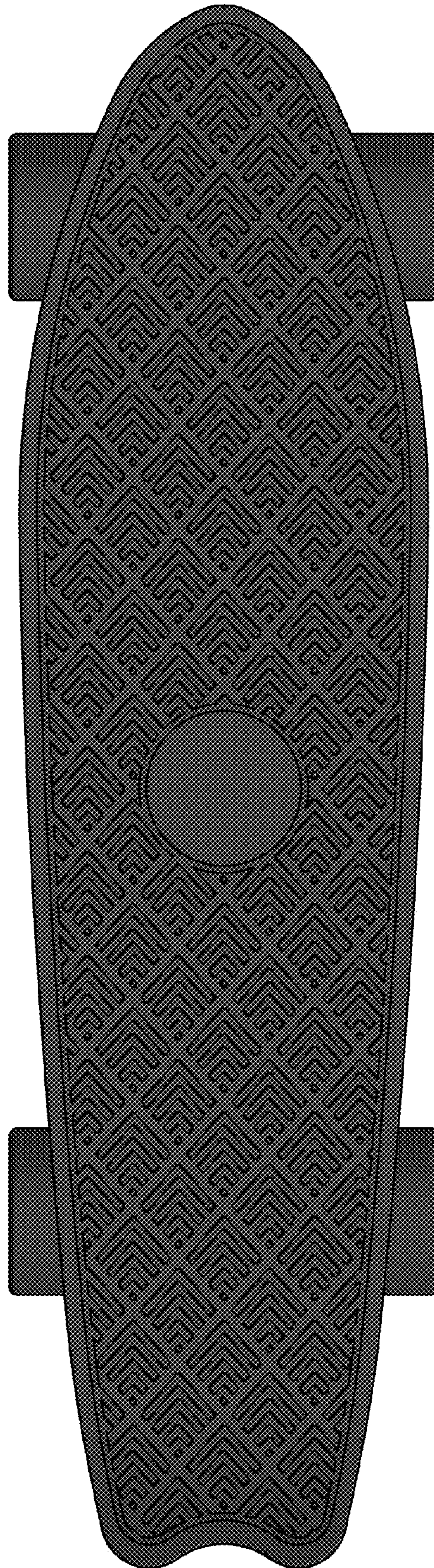


FIG. 2

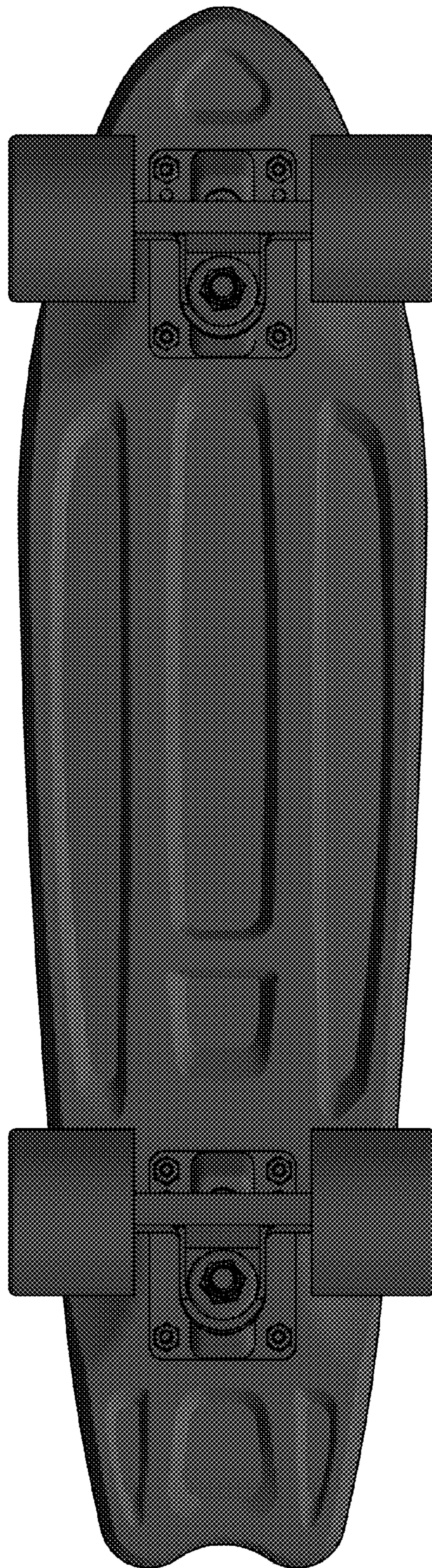


FIG. 3

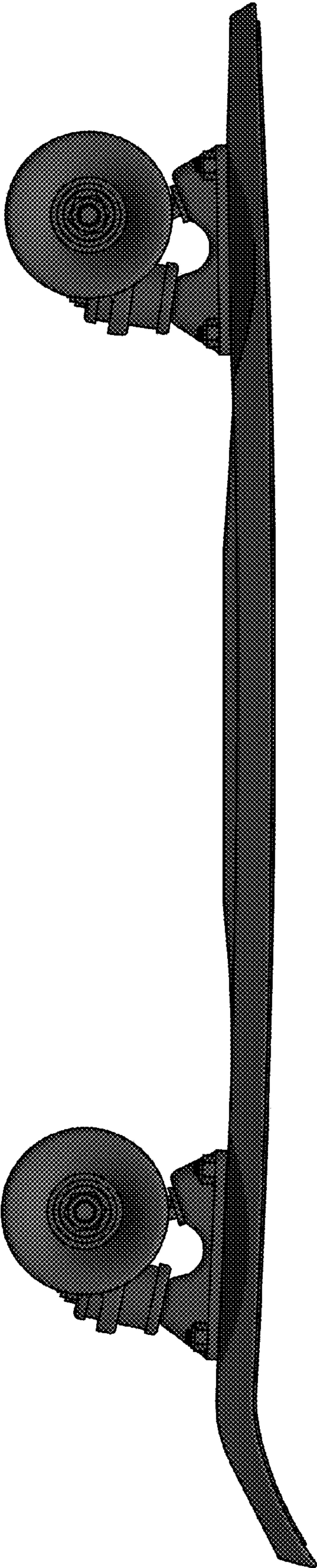


FIG. 4

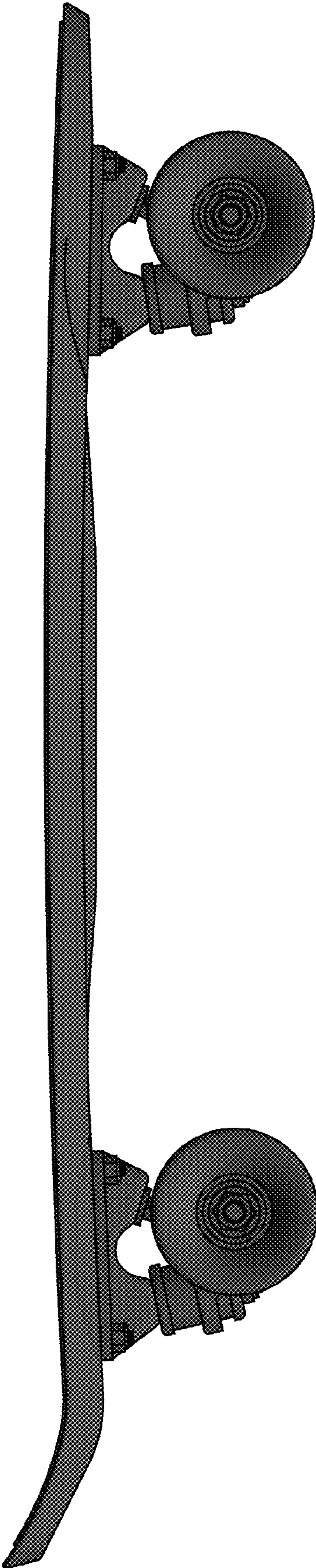


FIG. 5

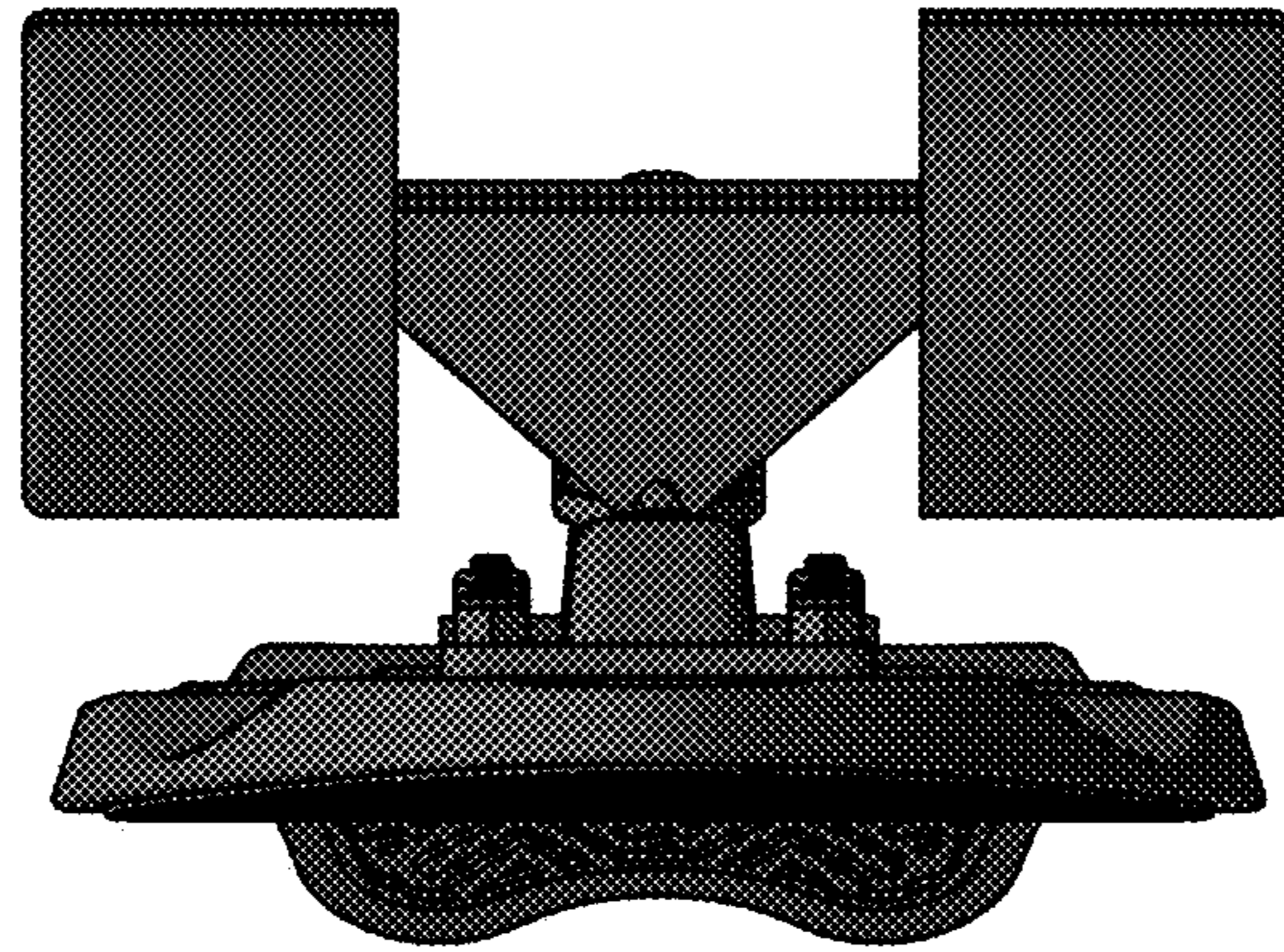


FIG. 6

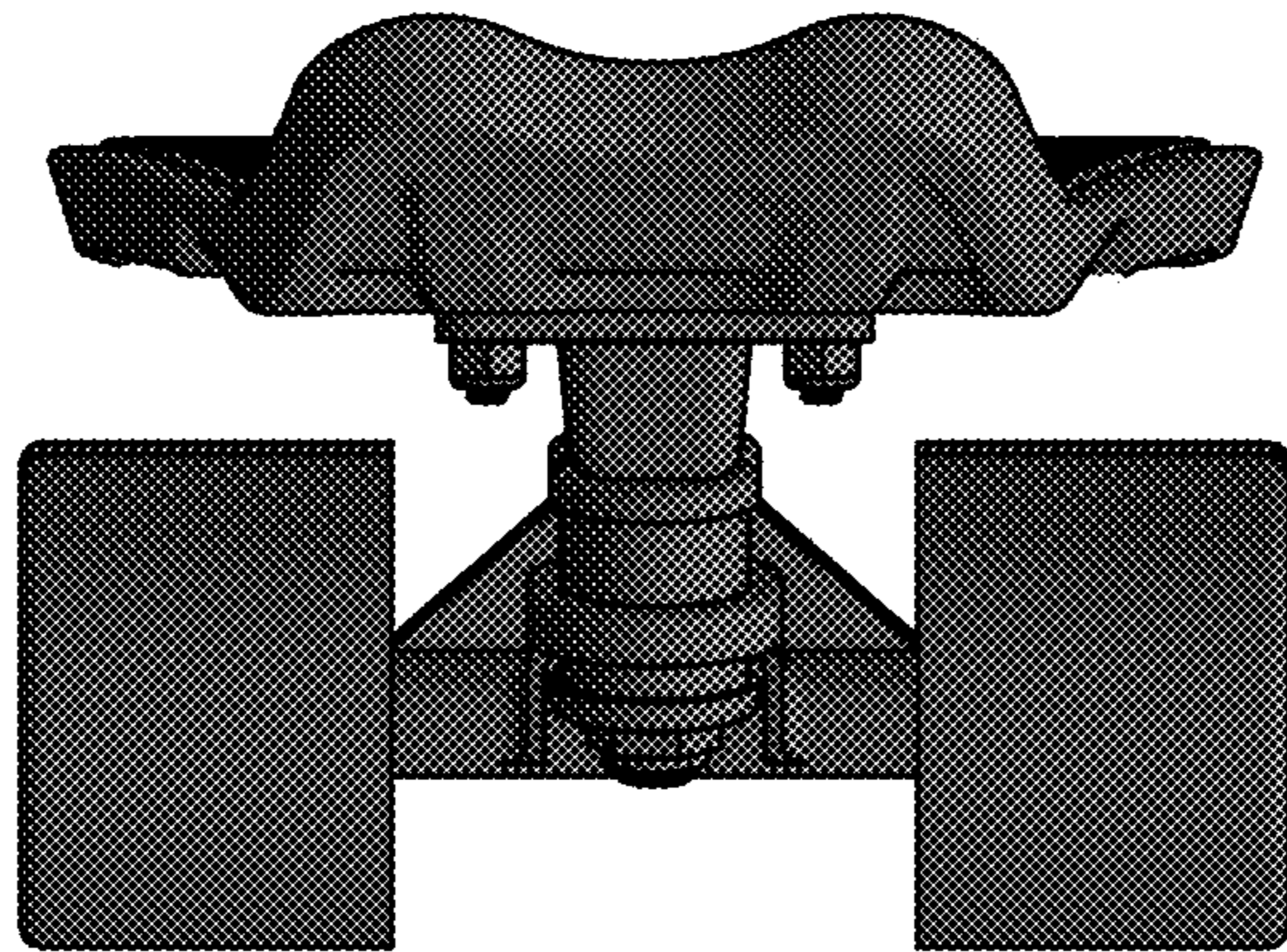


FIG. 7



FIG. 8



FIG. 9

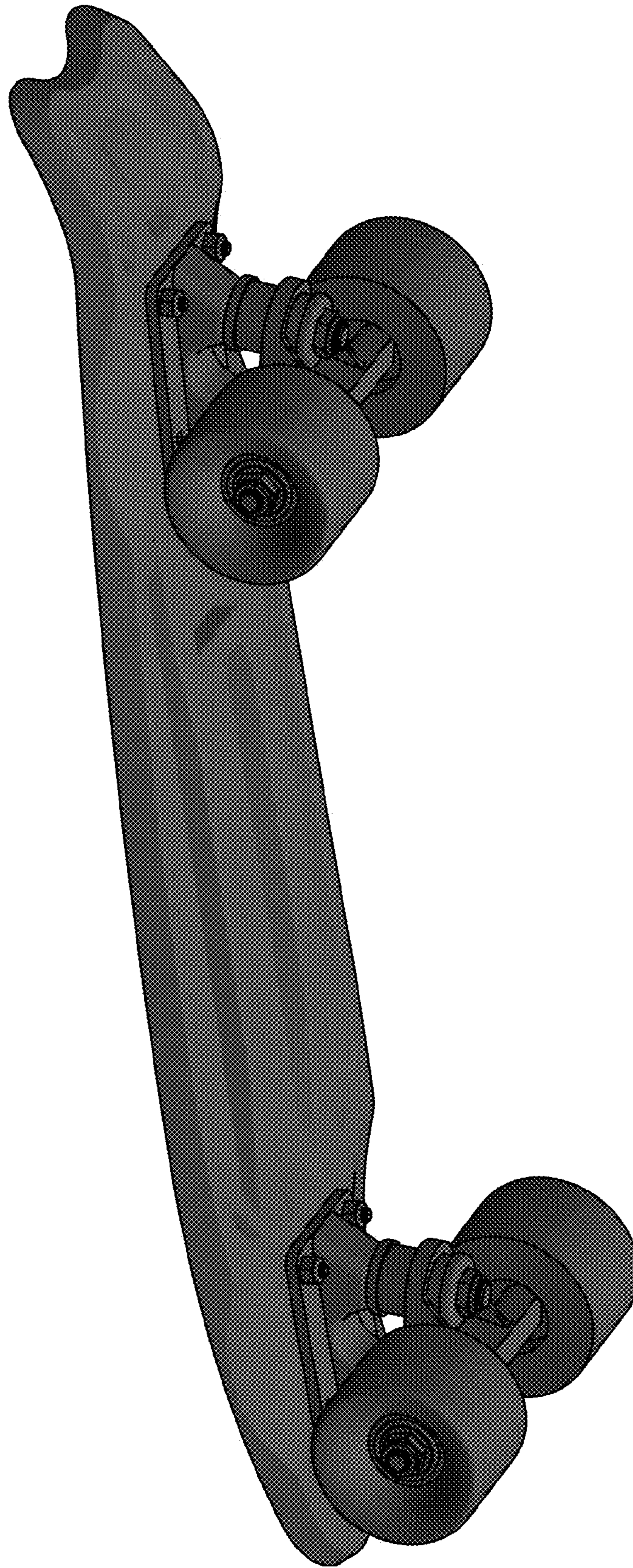


FIG. 10