



US00D936771S

(12) **United States Design Patent** (10) **Patent No.:** **US D936,771 S**
Cameron (45) **Date of Patent:** **** Nov. 23, 2021**

(54) **PUTTER GOLF CLUB HEAD**
(71) Applicant: **Acushnet Company**, Fairhaven, MA (US)
(72) Inventor: **Don T. Cameron**, Carlsbad, CA (US)
(73) Assignee: **Acushnet Company**, Fairhaven, MA (US)
(**) Term: **15 Years**
(21) Appl. No.: **29/733,661**
(22) Filed: **May 5, 2020**
(51) **LOC (13) Cl.** **21-02**
(52) **U.S. Cl.**
USPC **D21/744**
(58) **Field of Classification Search**
USPC D21/736-746, 759
CPC A63B 53/00; A63B 53/04; A63B 53/007;
A63B 53/065; A63B 53/0487; A63B
60/00; A63B 60/46
See application file for complete search history.

D859,545 S * 9/2019 Long D21/736
D867,495 S * 11/2019 Cameron D21/736
D873,358 S * 1/2020 Lee D21/744
D877,831 S * 3/2020 Cameron D21/736
D892,243 S * 8/2020 Rollinson D21/743
D892,954 S * 8/2020 Clarke D21/736
D892,955 S * 8/2020 Clarke D21/744
D892,956 S * 8/2020 Clarke D21/744
D895,037 S * 9/2020 Clarke D21/736
D896,328 S * 9/2020 Clarke D21/743
D898,846 S * 10/2020 Clarke D21/743
D898,847 S * 10/2020 Clarke D21/743
D907,730 S * 1/2021 Rollinson D21/759
D909,504 S * 2/2021 Schweigert D21/736
D912,174 S * 3/2021 Toulon D21/743
D920,453 S * 5/2021 Cameron D21/736
D921,140 S * 6/2021 Serrano D21/736
D921,141 S * 6/2021 Wang D21/744

* cited by examiner

Primary Examiner — Mitchell I. Siegel
(74) *Attorney, Agent, or Firm* — Randy K. Chang

(57) **CLAIM**

The ornamental design for putter golf club head, as shown and described.

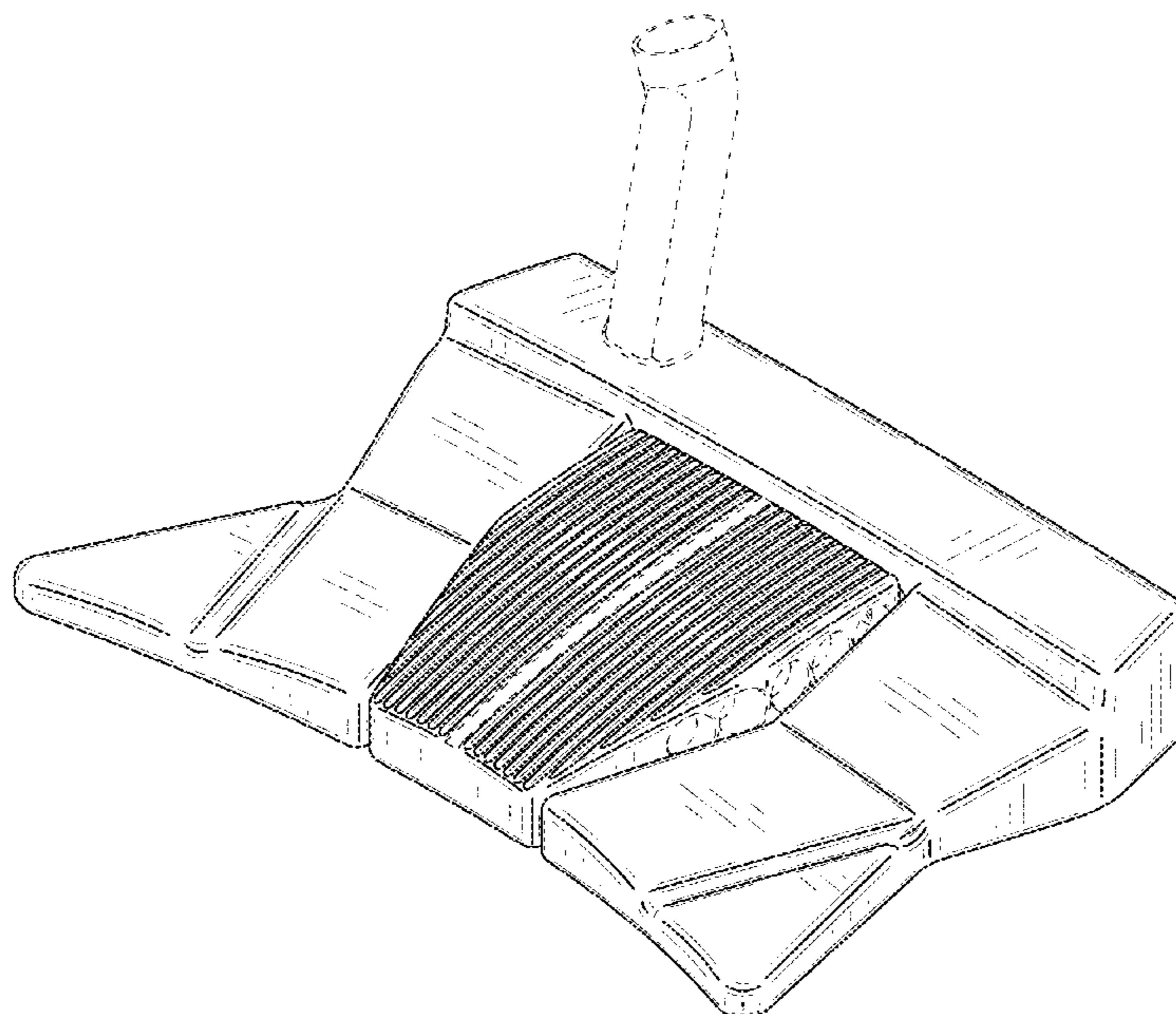
DESCRIPTION

FIG. 1 is a top perspective view of a putter golf club head showing my new design;
FIG. 2 is a top plan view thereof;
FIG. 3 is a bottom plan view thereof;
FIG. 4 is a rear elevational view thereof;
FIG. 5 is a front elevation view thereof;
FIG. 6 is a heel end view thereof; and,
FIG. 7 is a toe end view thereof.
The broken lines shown on the drawings form no part of the claimed design.

1 Claim, 5 Drawing Sheets

(56) **References Cited**
U.S. PATENT DOCUMENTS

D643,485 S * 8/2011 Nicolette D21/736
D728,715 S * 5/2015 Cameron D21/736
D783,745 S * 4/2017 Chen D21/743
D796,603 S * 9/2017 Serrano D21/744
D807,453 S * 1/2018 Serrano D21/743
D815,222 S * 4/2018 Serrano D21/743
D824,462 S * 7/2018 Bruschi D21/736
D832,381 S * 10/2018 Serrano D21/743
D837,911 S * 1/2019 Bruschi D21/736
D844,085 S * 3/2019 Nicolette D21/743
D844,722 S * 4/2019 Wang D21/736
D844,723 S * 4/2019 Nicolette D21/743
D852,911 S * 7/2019 Wang D21/744



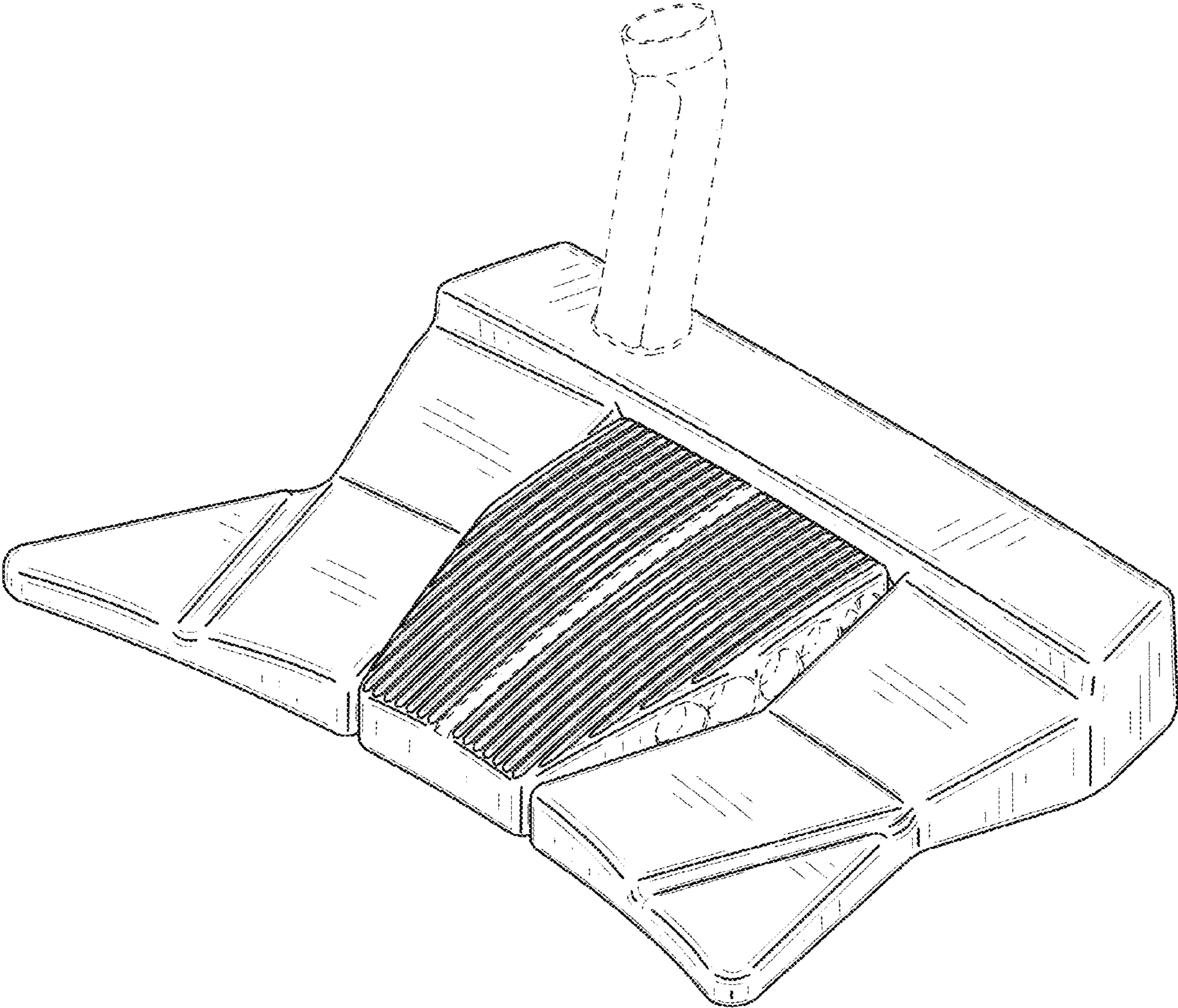


FIG. 1

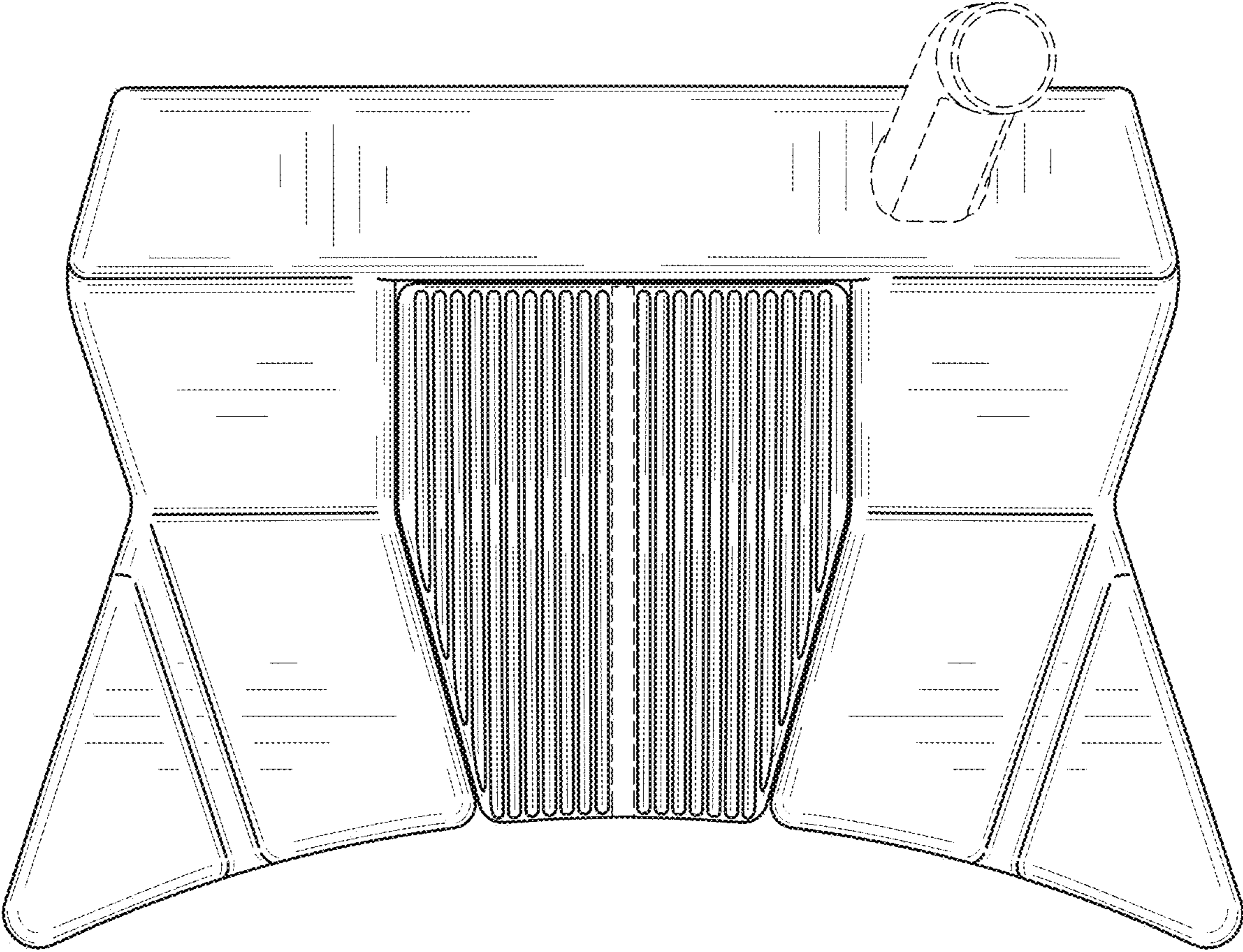


FIG. 2

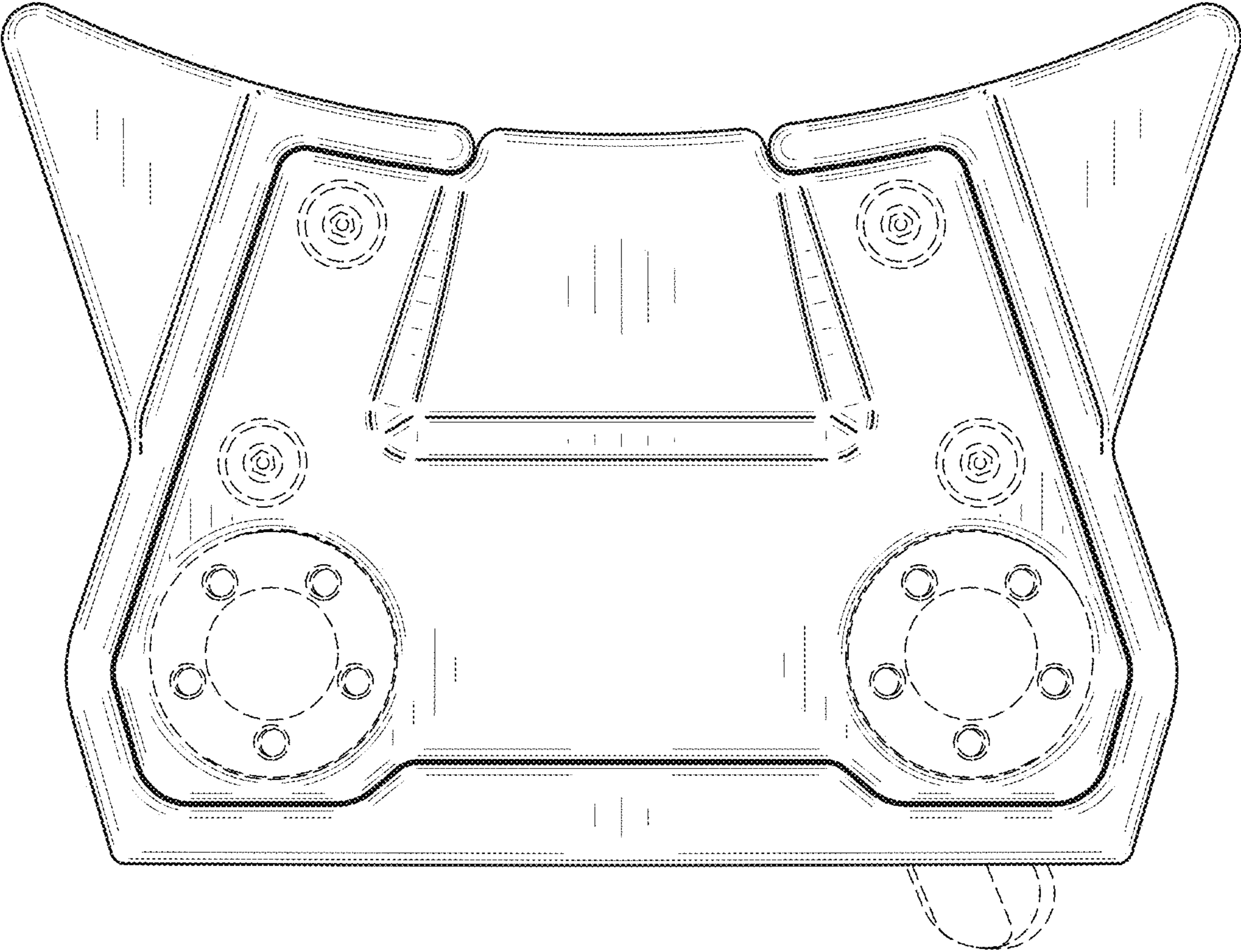


FIG. 3

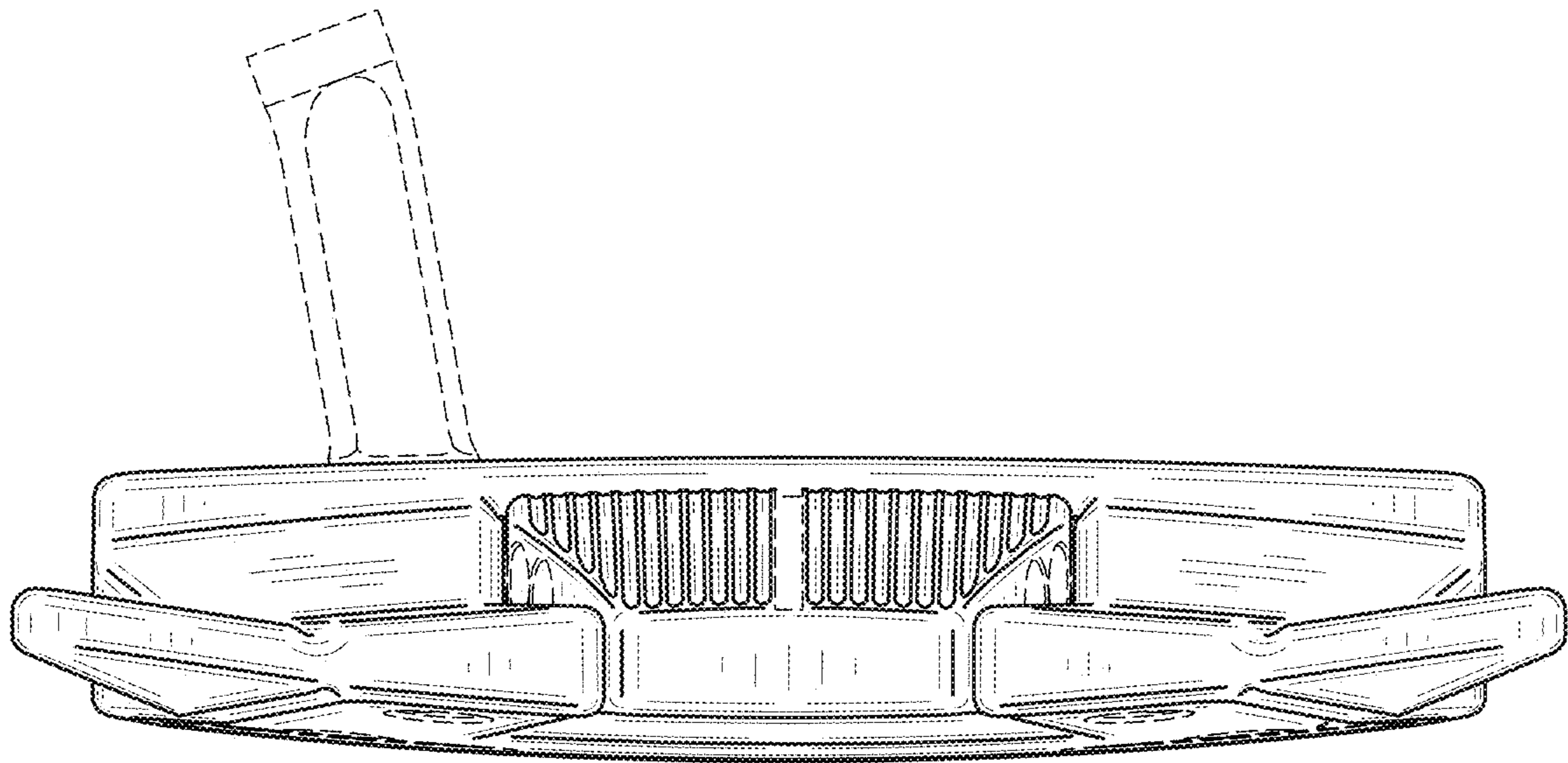


FIG. 4

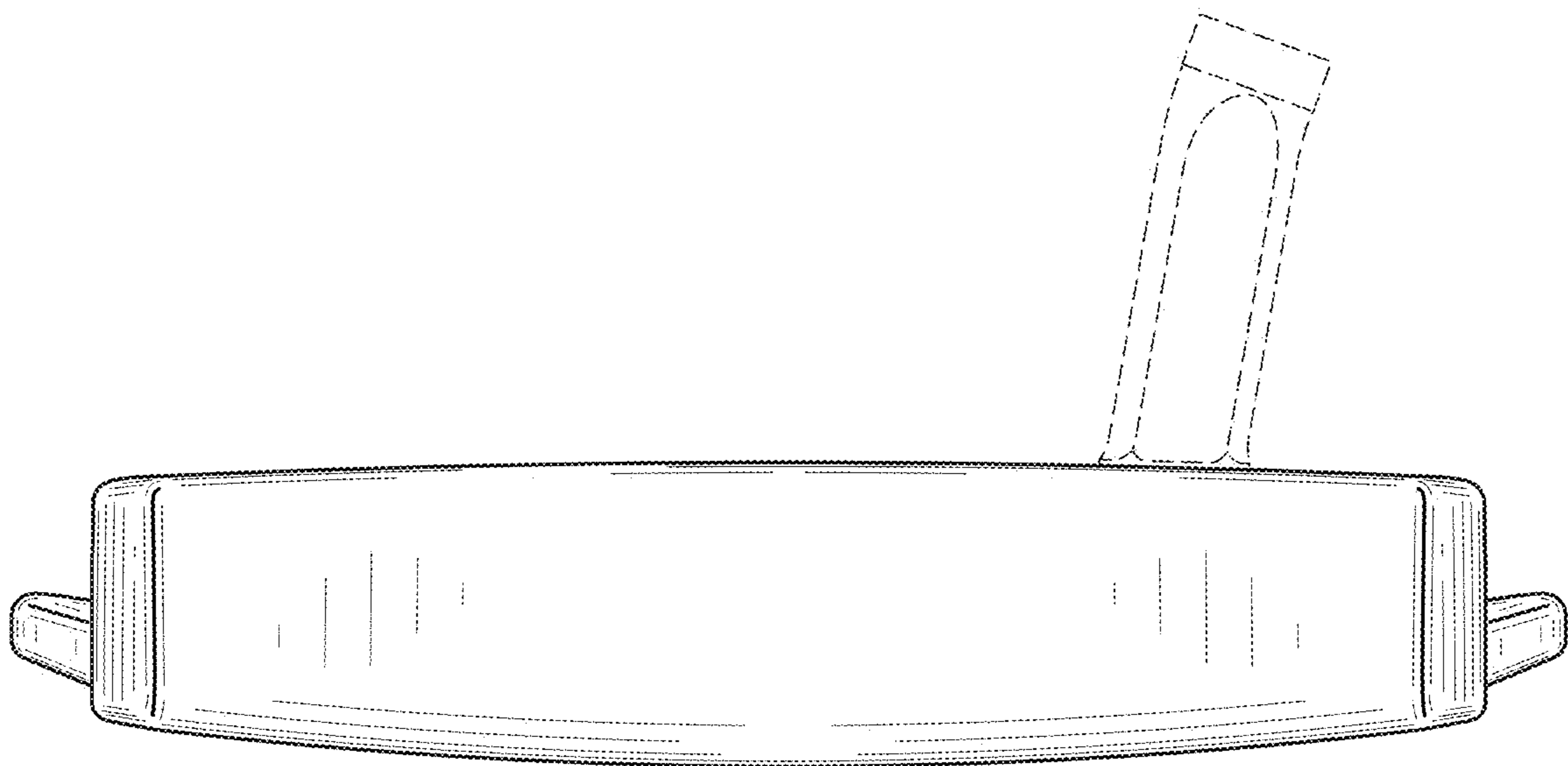


FIG. 5

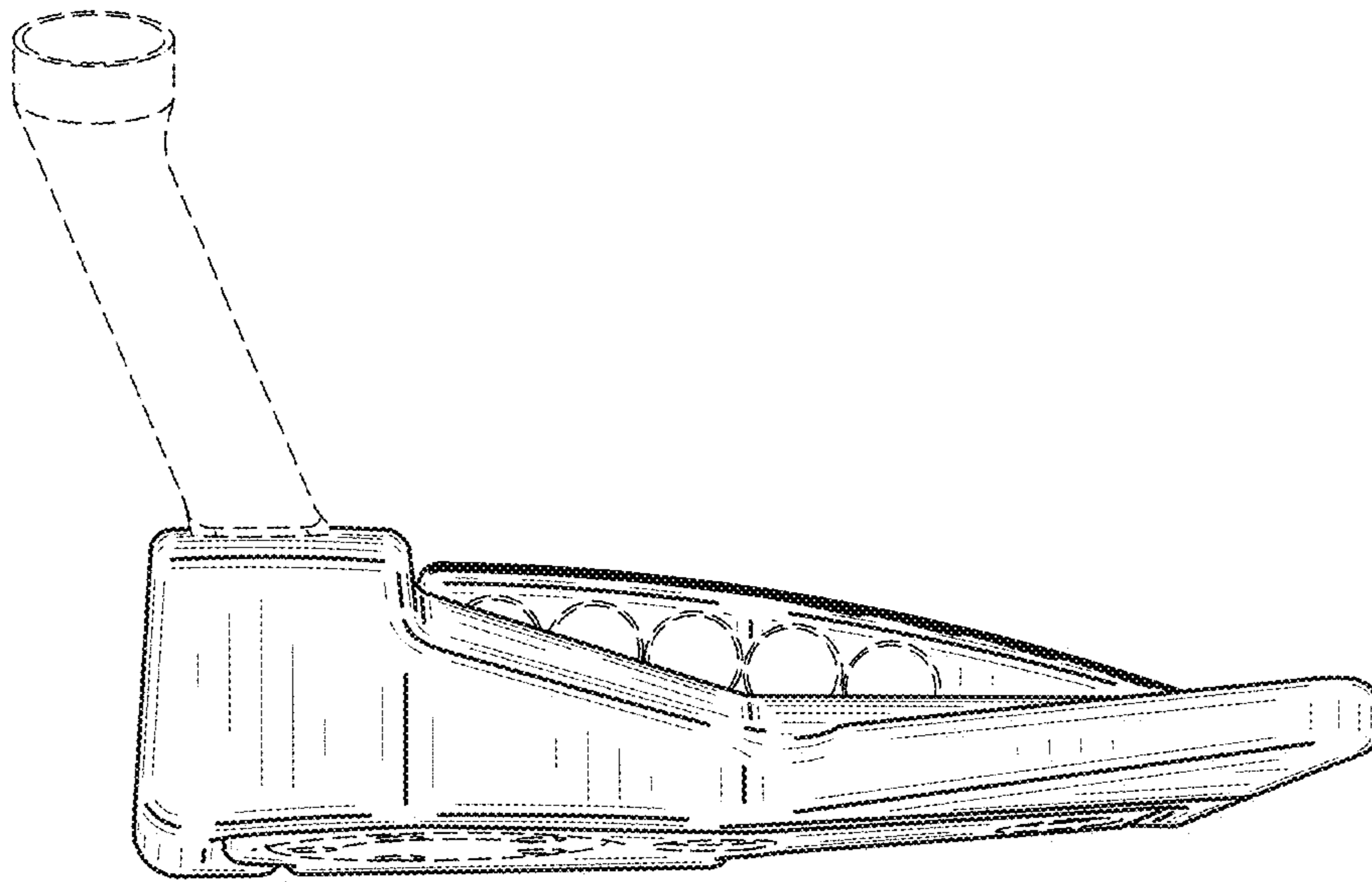


FIG. 6

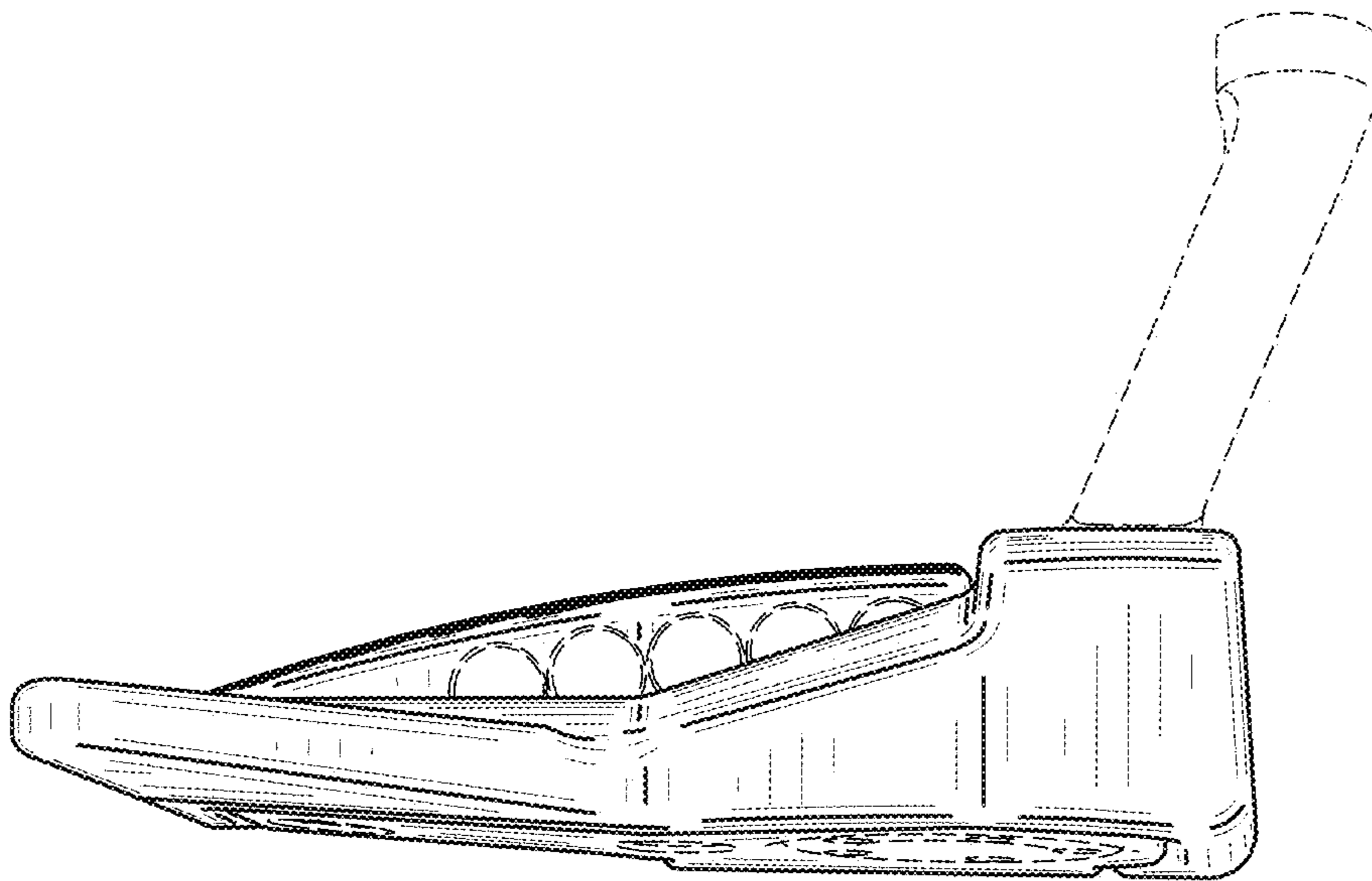


FIG. 7