



US00D936769S

(12) **United States Design Patent**  
**Cameron**

(10) **Patent No.:** **US D936,769 S**

(45) **Date of Patent:** **\*\* Nov. 23, 2021**

(54) **PUTTER GOLF CLUB HEAD**

(71) Applicant: **Acushnet Company**, Fairhaven, MA  
(US)

(72) Inventor: **Don T. Cameron**, Carlsbad, CA (US)

(73) Assignee: **Acushnet Company**, Fairhaven, MA  
(US)

(\*\*) Term: **15 Years**

(21) Appl. No.: **29/733,655**

(22) Filed: **May 5, 2020**

(51) **LOC (13) Cl.** ..... **21-02**

(52) **U.S. Cl.**  
USPC ..... **D21/744**

(58) **Field of Classification Search**  
USPC ..... D21/736-746, 759  
CPC ..... A63B 53/00; A63B 53/04; A63B 53/007;  
A63B 53/065; A63B 53/0487; A63B  
60/00; A63B 60/46

See application file for complete search history.

(56) **References Cited**

**U.S. PATENT DOCUMENTS**

D653,718 S *	2/2012	Stokke	.....	D21/743
D728,715 S *	5/2015	Cameron	.....	D21/736
D774,607 S *	12/2016	Serrano	.....	D21/743
D796,603 S *	9/2017	Serrano	.....	D21/744
D807,453 S *	1/2018	Serrano	.....	D21/743
D815,222 S *	4/2018	Serrano	.....	D21/743
D827,064 S *	8/2018	Wypych	.....	D21/743
D832,381 S *	10/2018	Serrano	.....	D21/743

D844,722 S *	4/2019	Wang	.....	D21/736
D852,911 S *	7/2019	Wang	.....	D21/744
D864,325 S *	10/2019	Rollinson	.....	D21/743
D867,495 S *	11/2019	Cameron	.....	D21/736
D873,358 S *	1/2020	Lee	.....	D21/744
D877,829 S *	3/2020	Cameron	.....	D21/736
D892,954 S *	8/2020	Clarke	.....	D21/736
D892,955 S *	8/2020	Clarke	.....	D21/744
D892,956 S *	8/2020	Clarke	.....	D21/744
D898,846 S *	10/2020	Clarke	.....	D21/743
D898,847 S *	10/2020	Clarke	.....	D21/743
D912,174 S *	3/2021	Toulon	.....	D21/743
D921,140 S *	6/2021	Serrano	.....	D21/736

\* cited by examiner

*Primary Examiner* — Mitchell I. Siegel

(74) *Attorney, Agent, or Firm* — Randy K. Chang

(57) **CLAIM**

The ornamental design for putter golf club head, as shown and described.

**DESCRIPTION**

FIG. 1 is a top perspective view of a putter golf club head showing my new design;

FIG. 2 is a top plan view thereof;

FIG. 3 is a bottom plan view thereof;

FIG. 4 is a rear elevational view thereof;

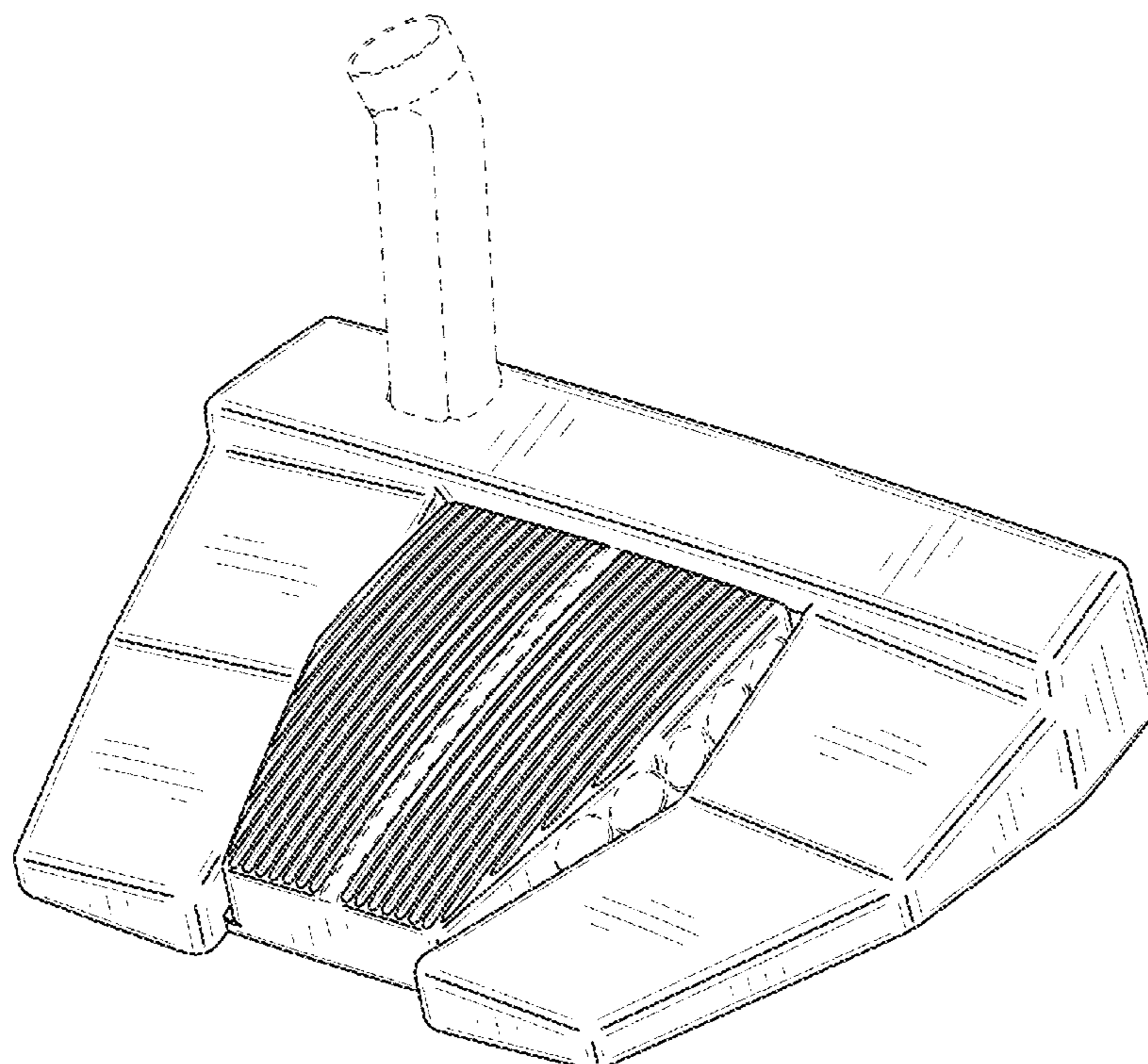
FIG. 5 is a front elevation view thereof;

FIG. 6 is a heel end view thereof; and,

FIG. 7 is a toe end view thereof.

The broken lines shown on the drawings form no part of the claimed design.

**1 Claim, 4 Drawing Sheets**



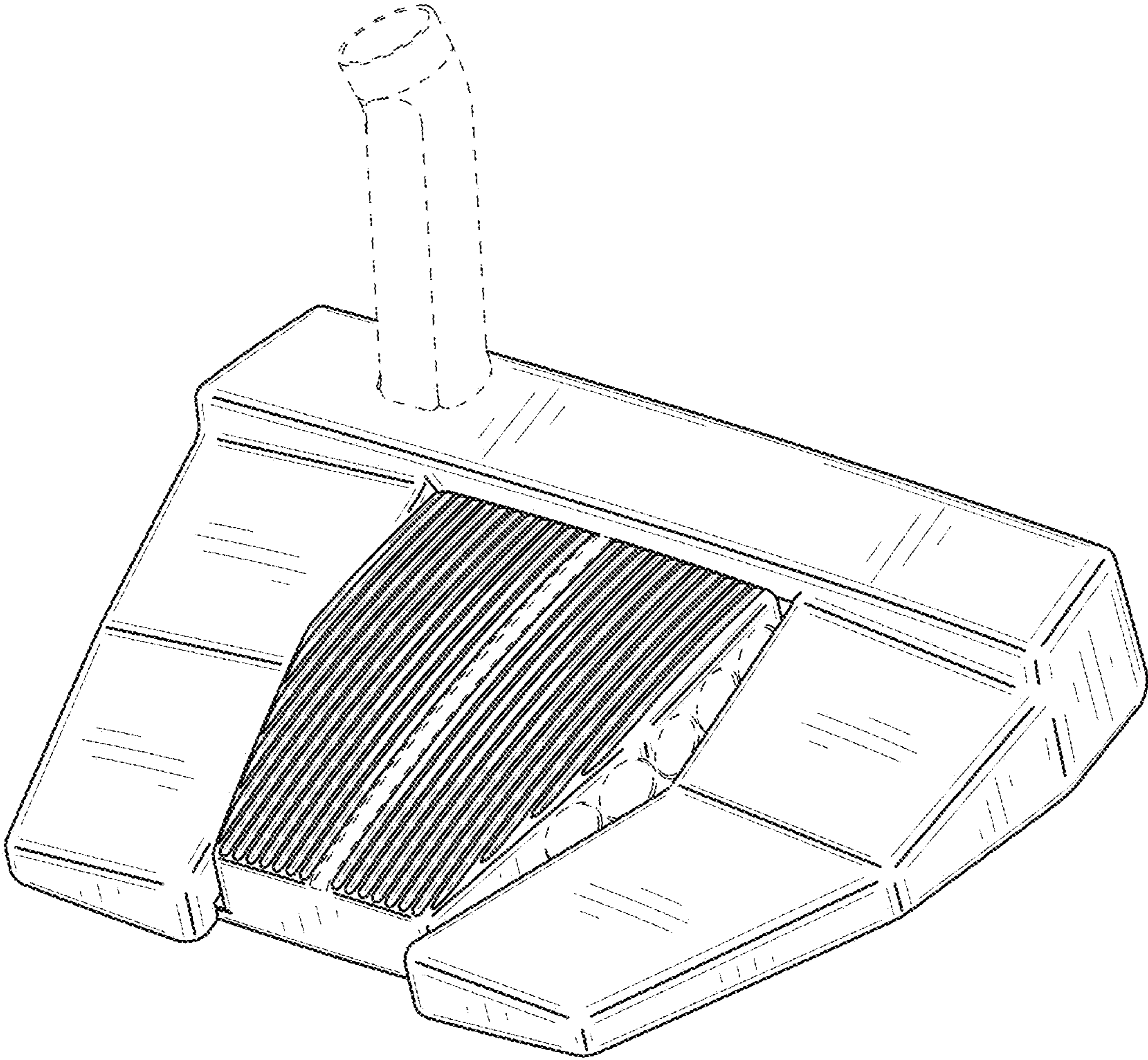


FIG. 1

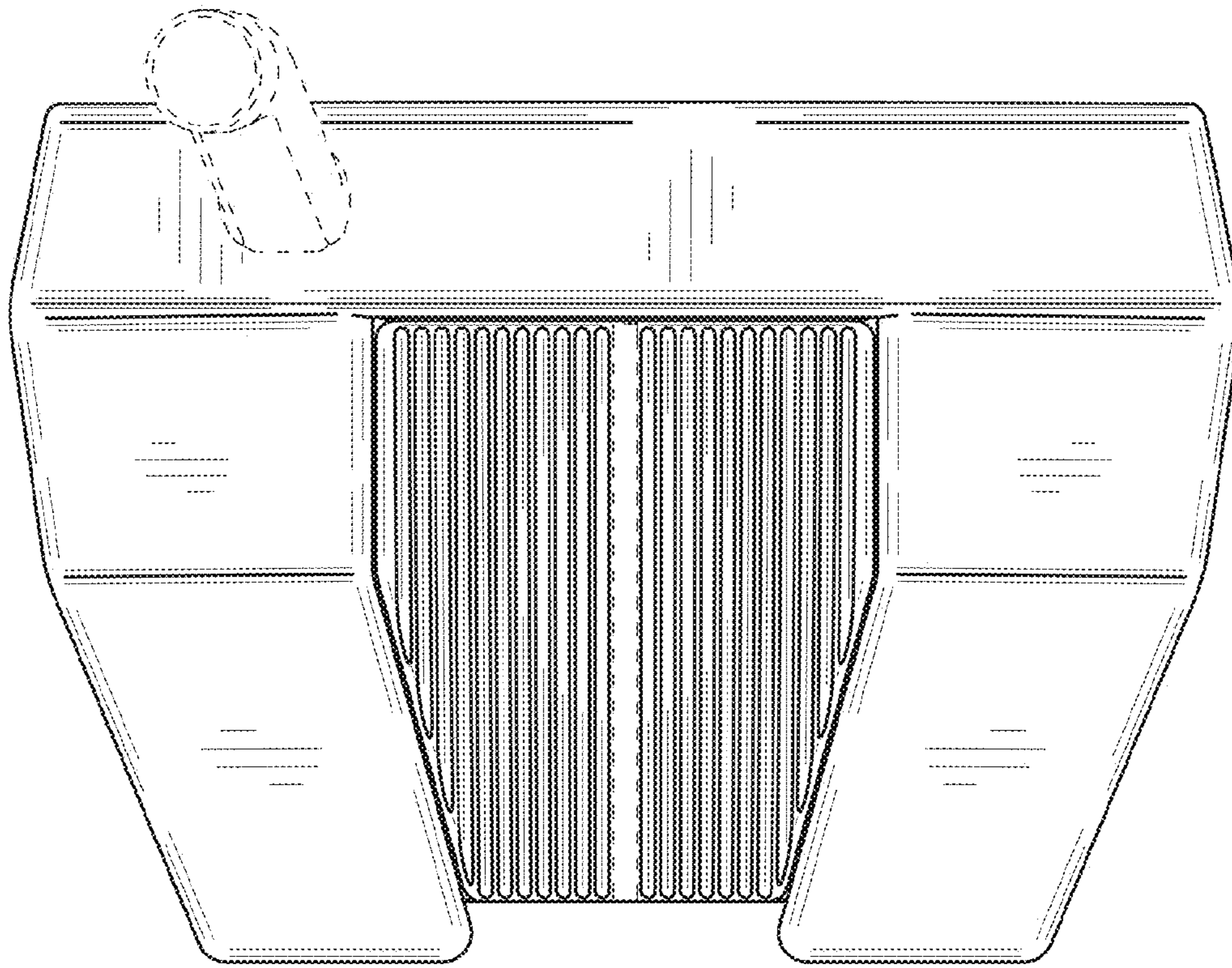


FIG. 2

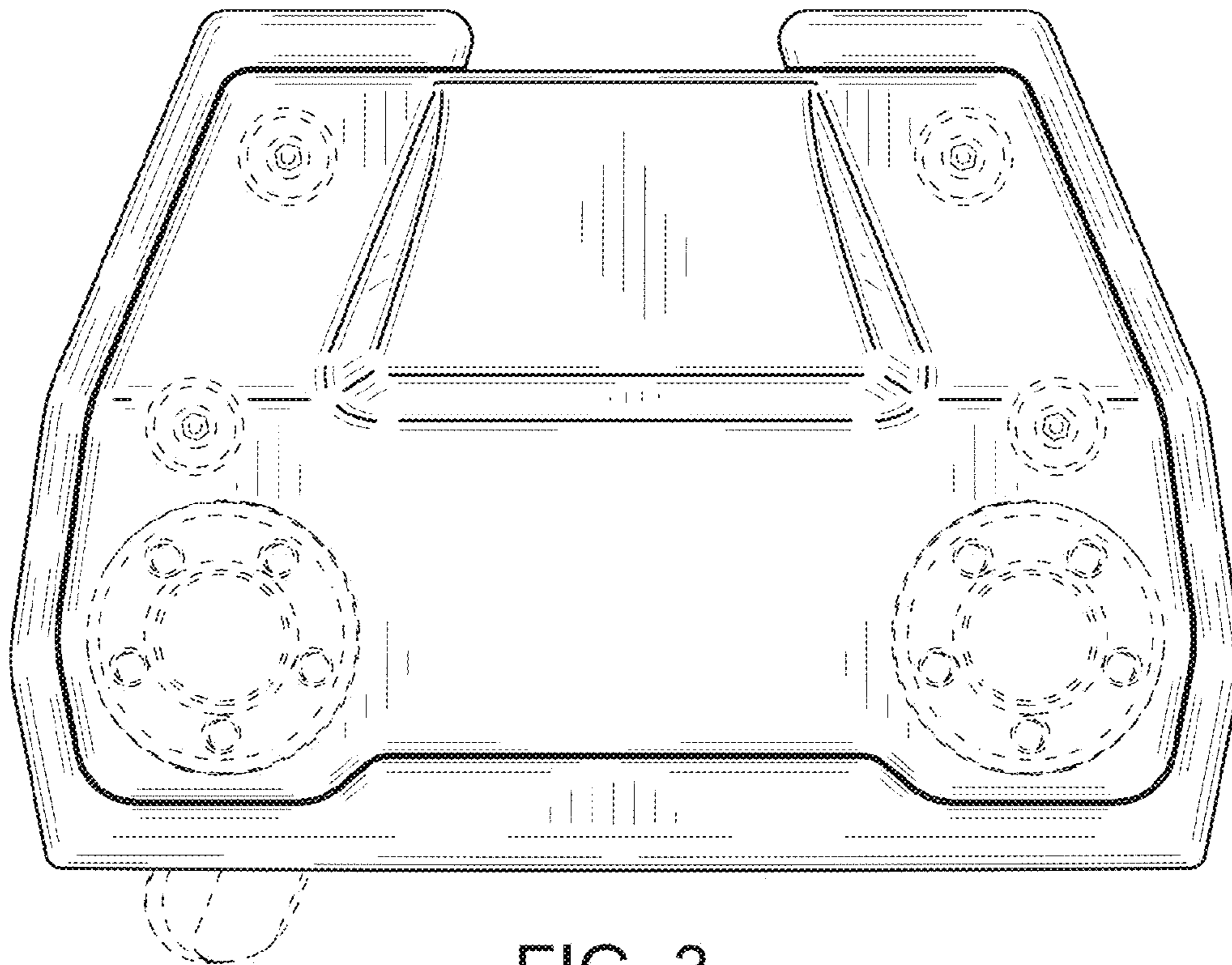


FIG. 3

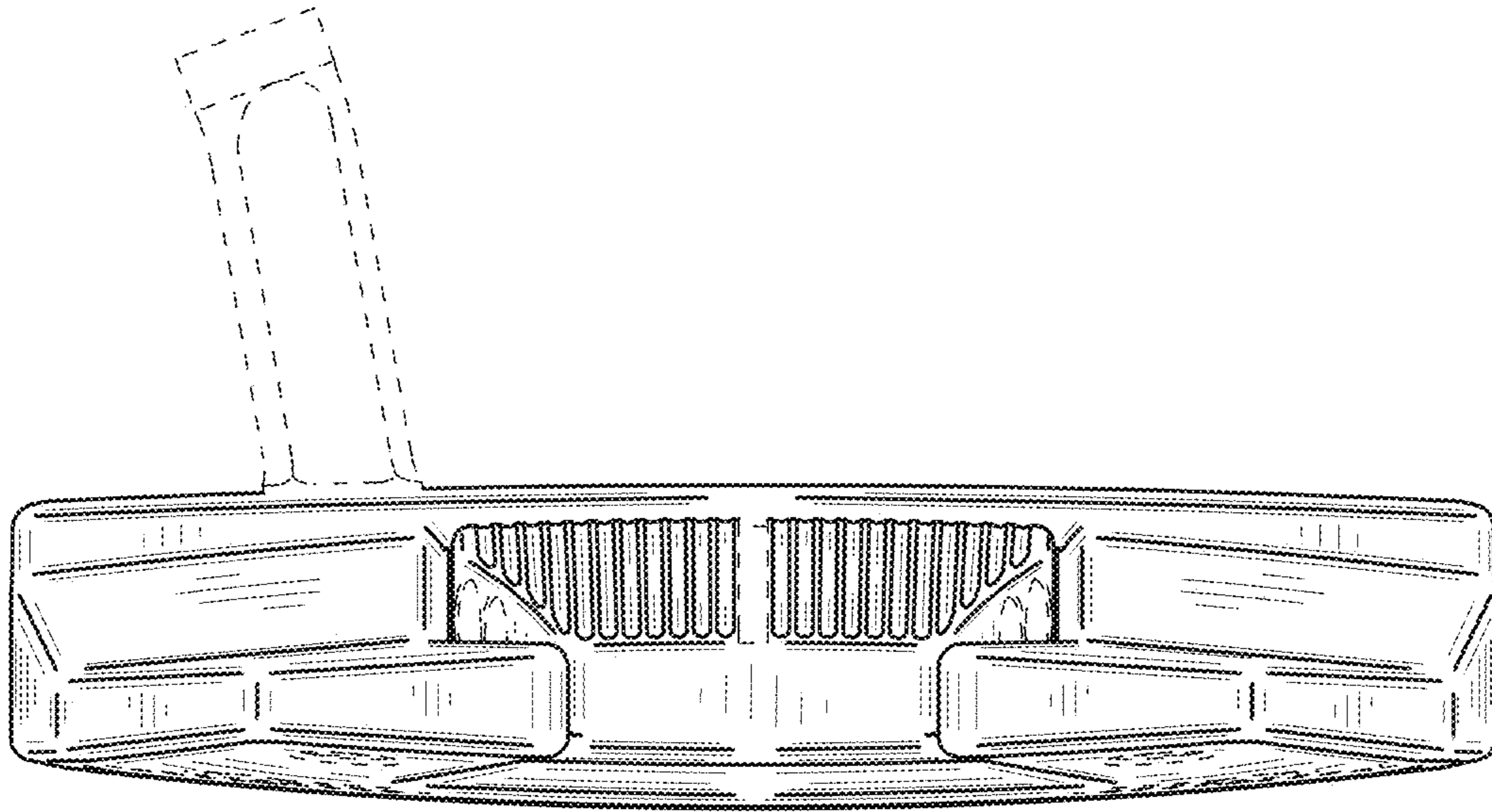


FIG. 4

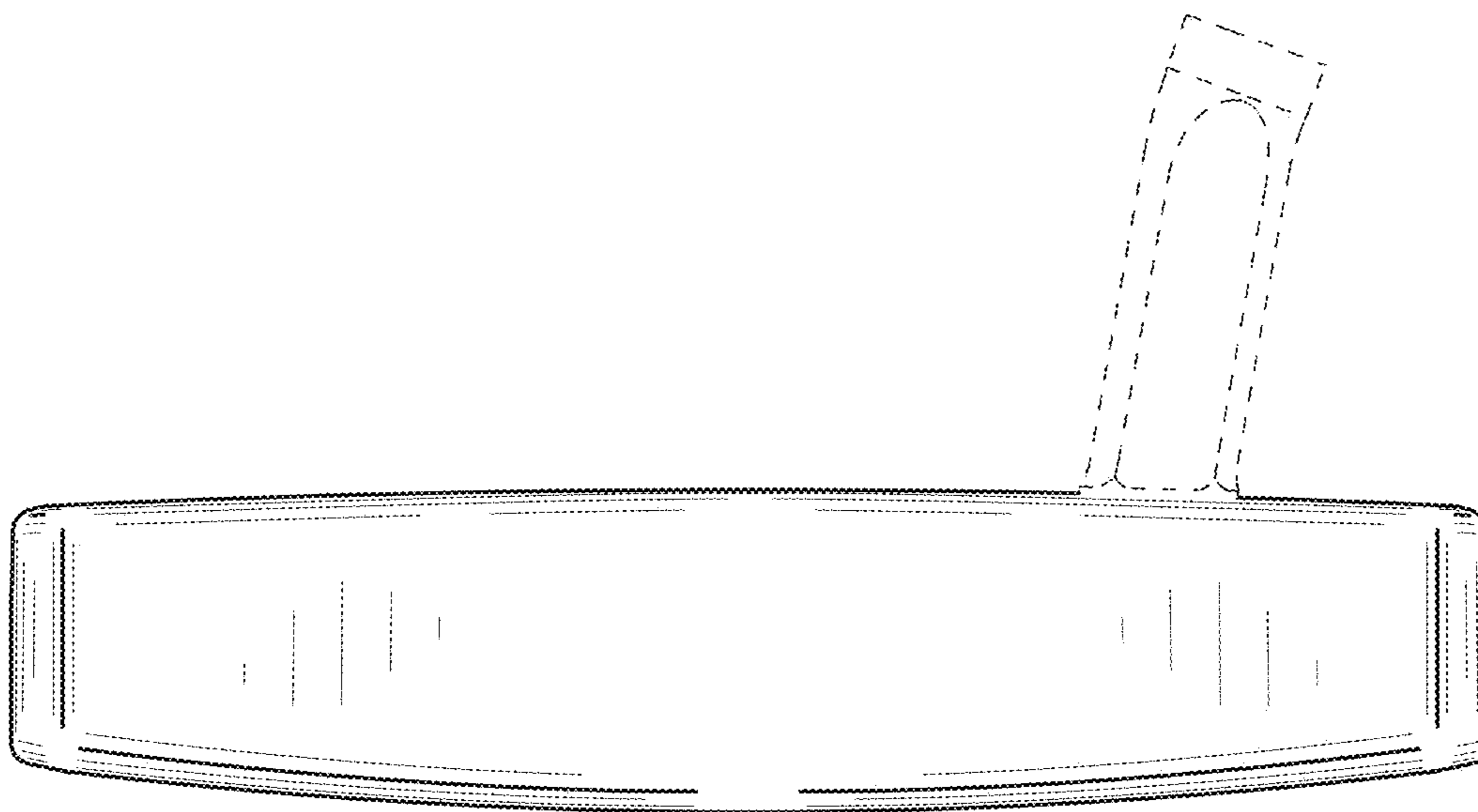


FIG. 5

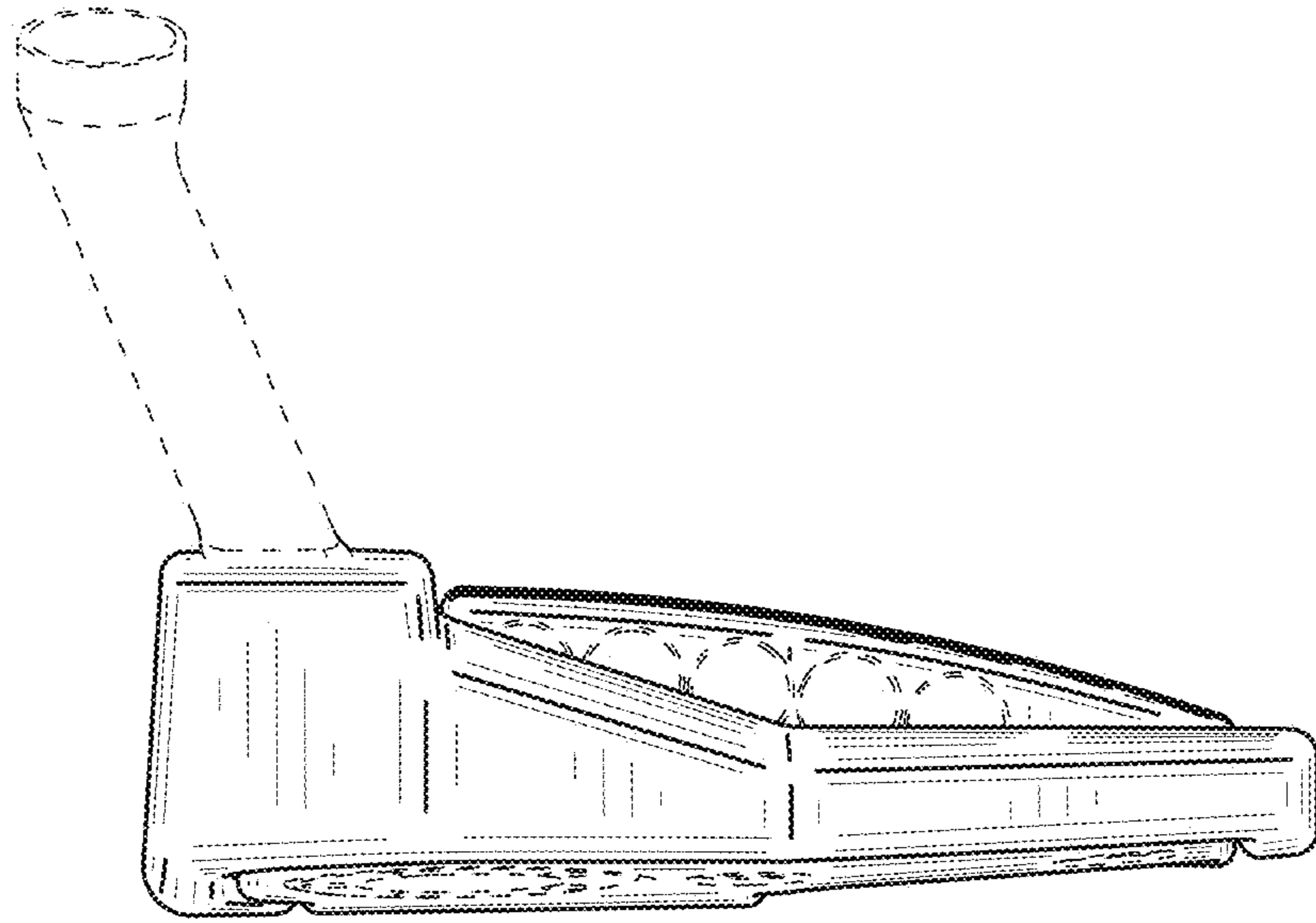


FIG. 6

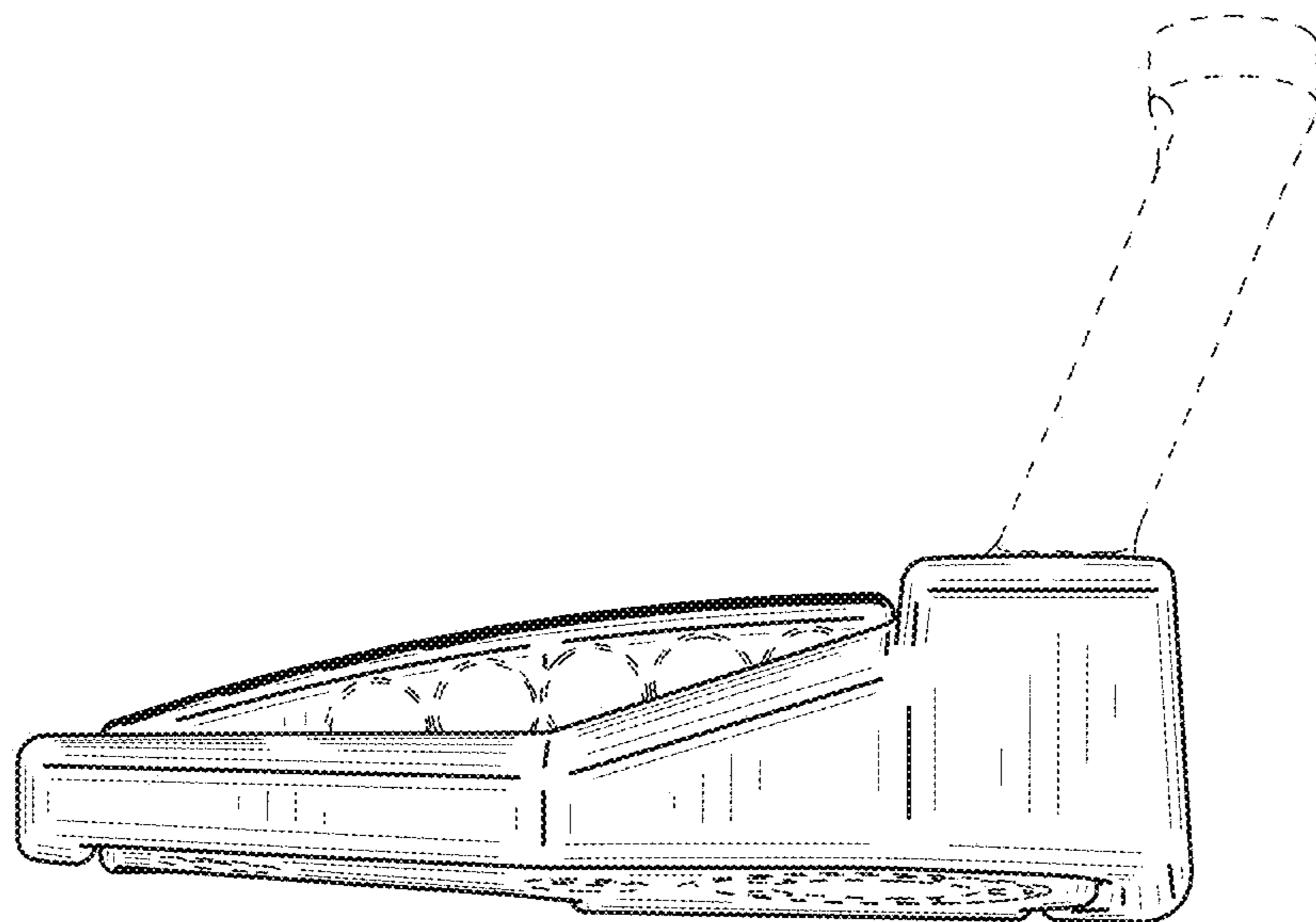


FIG. 7