



US00D936768S

(12) **United States Design Patent** (10) **Patent No.:** **US D936,768 S**
Cameron (45) **Date of Patent:** **** Nov. 23, 2021**

(54) **PUTTER GOLF CLUB HEAD**
(71) Applicant: **Acushnet Company**, Fairhaven, MA (US)
(72) Inventor: **Don T. Cameron**, Carlsbad, CA (US)
(73) Assignee: **Acushnet Company**, Fairhaven, MA (US)

D815,222 S * 4/2018 Serrano D21/743
D832,381 S * 10/2018 Serrano D21/743
D844,722 S * 4/2019 Wang D21/736
D867,495 S * 11/2019 Cameron D21/736
D867,496 S * 11/2019 Cameron D21/736
D892,954 S * 8/2020 Clarke D21/736
D897,461 S * 9/2020 Hanet D21/743
D906,454 S * 12/2020 Agrella D21/743
D906,459 S * 12/2020 Agrella D21/759
D912,174 S * 3/2021 Toulon D21/743
D921,140 S * 6/2021 Serrano D21/736

(**) Term: **15 Years**

* cited by examiner

(21) Appl. No.: **29/733,660**

Primary Examiner — Mitchell I. Siegel

(22) Filed: **May 5, 2020**

(74) *Attorney, Agent, or Firm* — Randy K. Chang

(51) **LOC (13) Cl.** **21-02**

(57) **CLAIM**

(52) **U.S. Cl.**
USPC **D21/736**

The ornamental design for putter golf club head, as shown and described.

(58) **Field of Classification Search**
USPC D21/736–746, 759
CPC A63B 53/00; A63B 53/04; A63B 53/007;
A63B 53/065; A63B 53/0487; A63B
60/00; A63B 60/46
See application file for complete search history.

DESCRIPTION

(56) **References Cited**

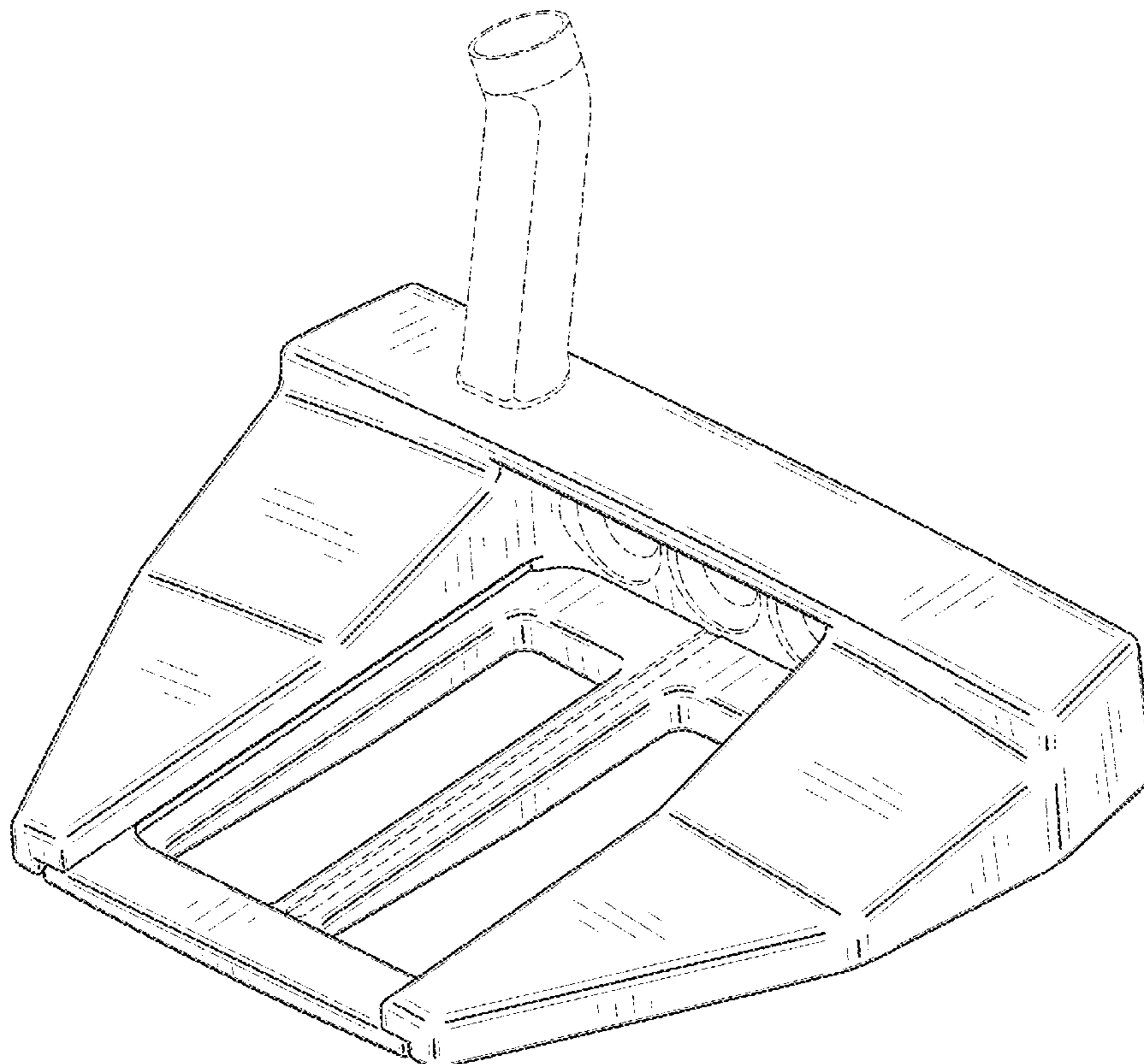
FIG. 1 is a top perspective view of a putter golf club head showing my new design;
FIG. 2 is a top plan view thereof;
FIG. 3 is a bottom plan view thereof;
FIG. 4 is a rear elevational view thereof;
FIG. 5 is a front elevation view thereof;
FIG. 6 is a heel end view thereof; and,
FIG. 7 is a toe end view thereof.

U.S. PATENT DOCUMENTS

D533,609 S * 12/2006 Moore D21/742
D728,715 S * 5/2015 Cameron D21/736
D796,602 S * 9/2017 Serrano D21/743
D807,453 S * 1/2018 Serrano D21/743

The broken lines shown on the drawings form no part of the claimed design.

1 Claim, 5 Drawing Sheets



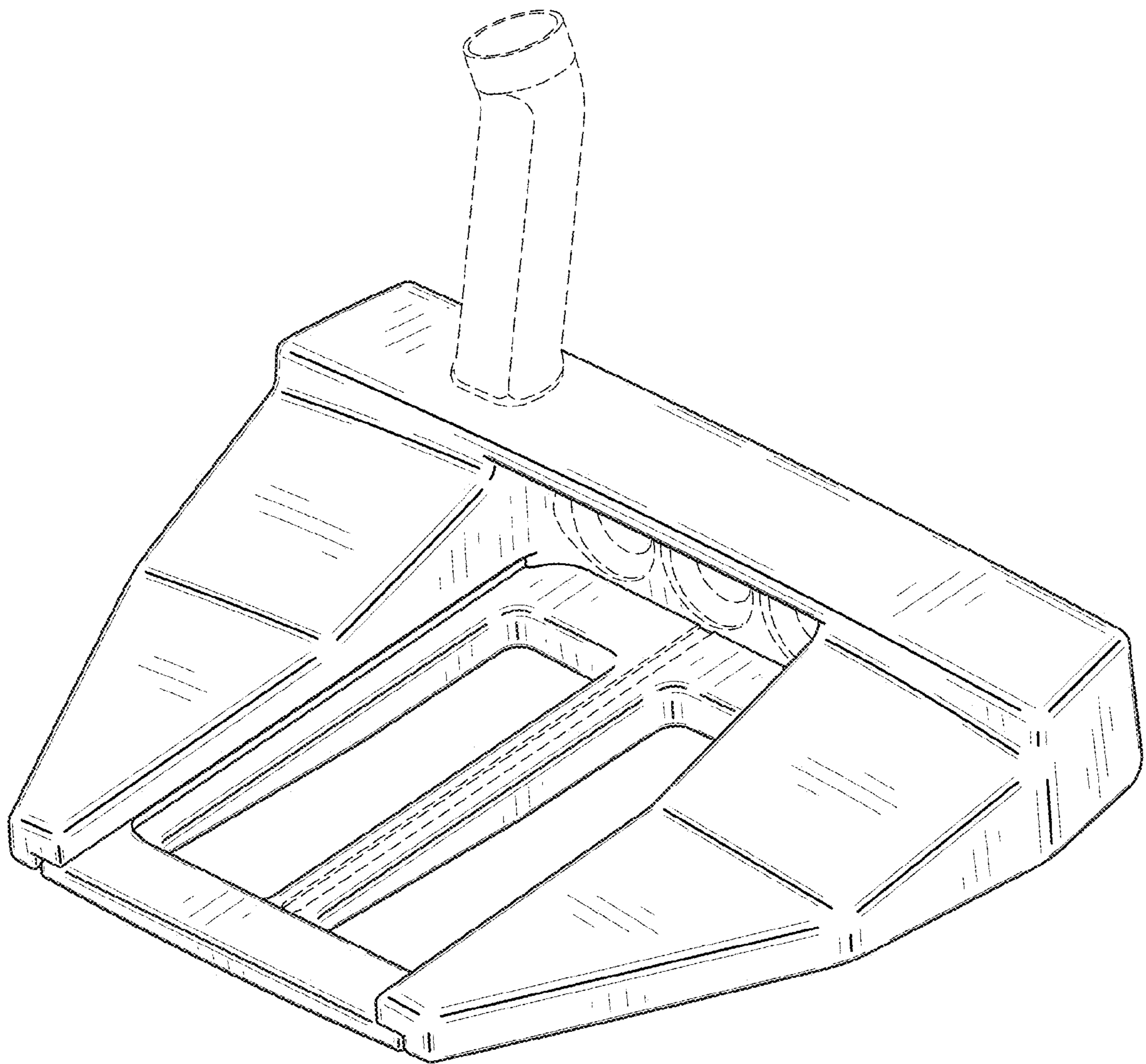


FIG. 1

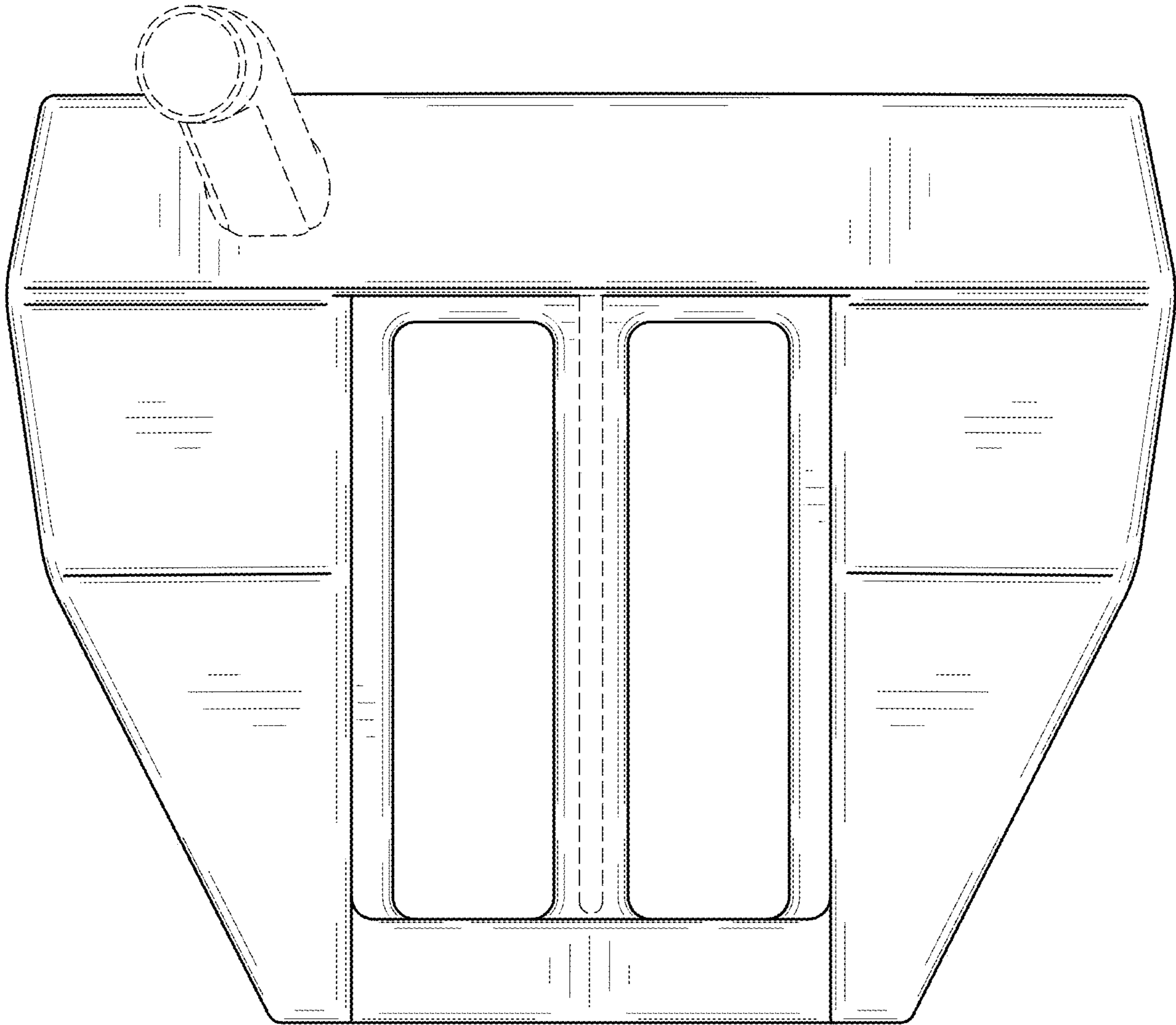


FIG. 2

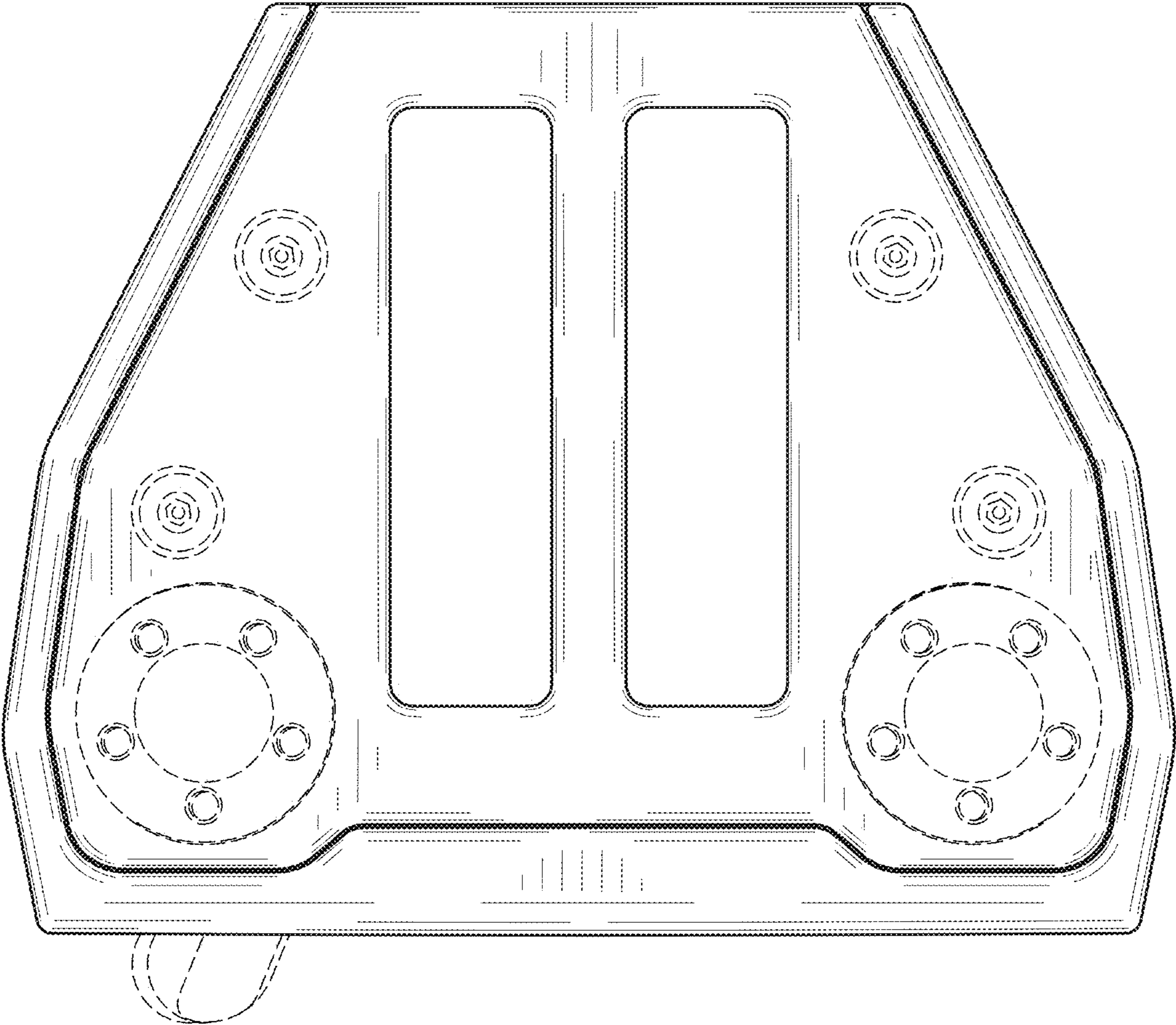


FIG. 3

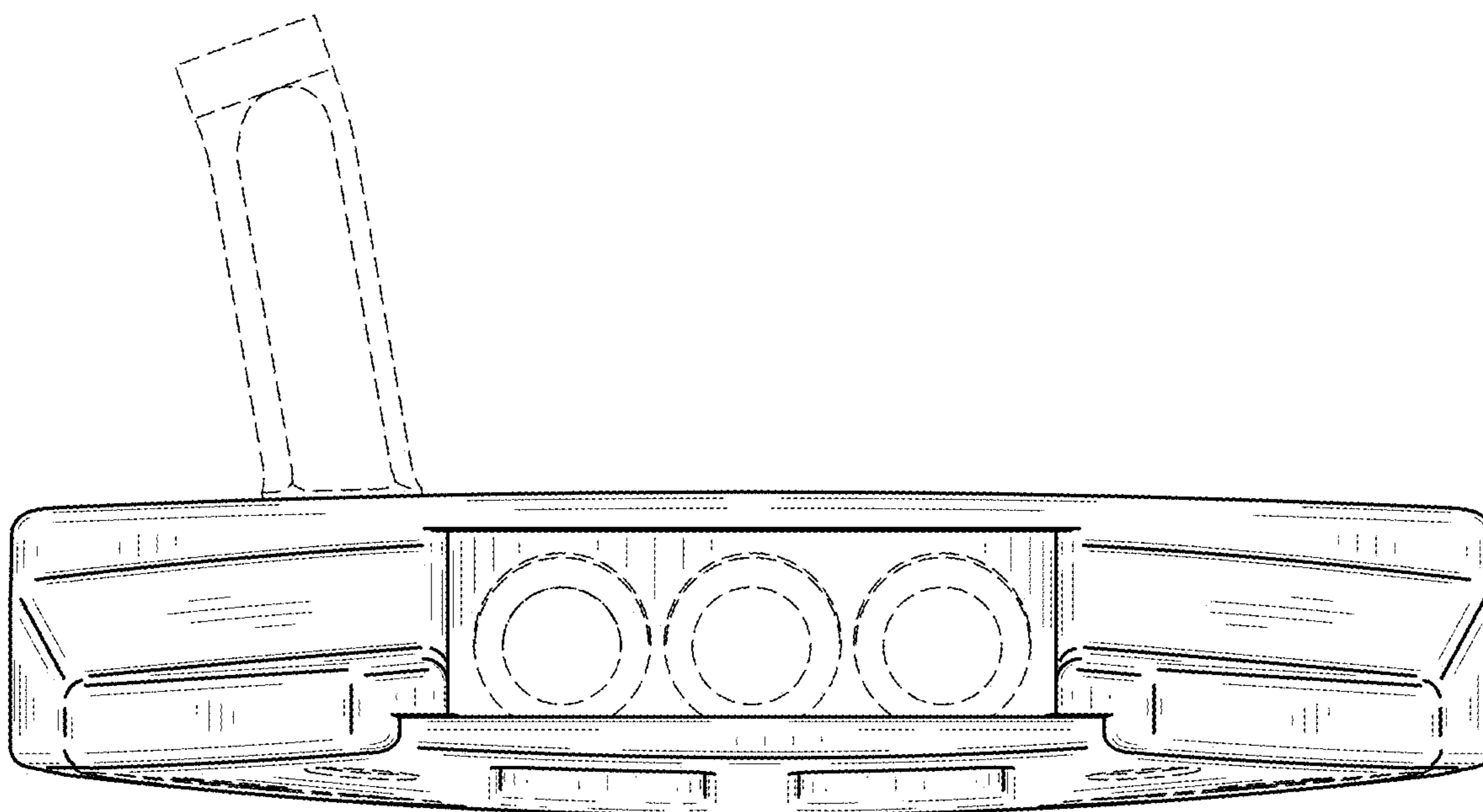


FIG. 4

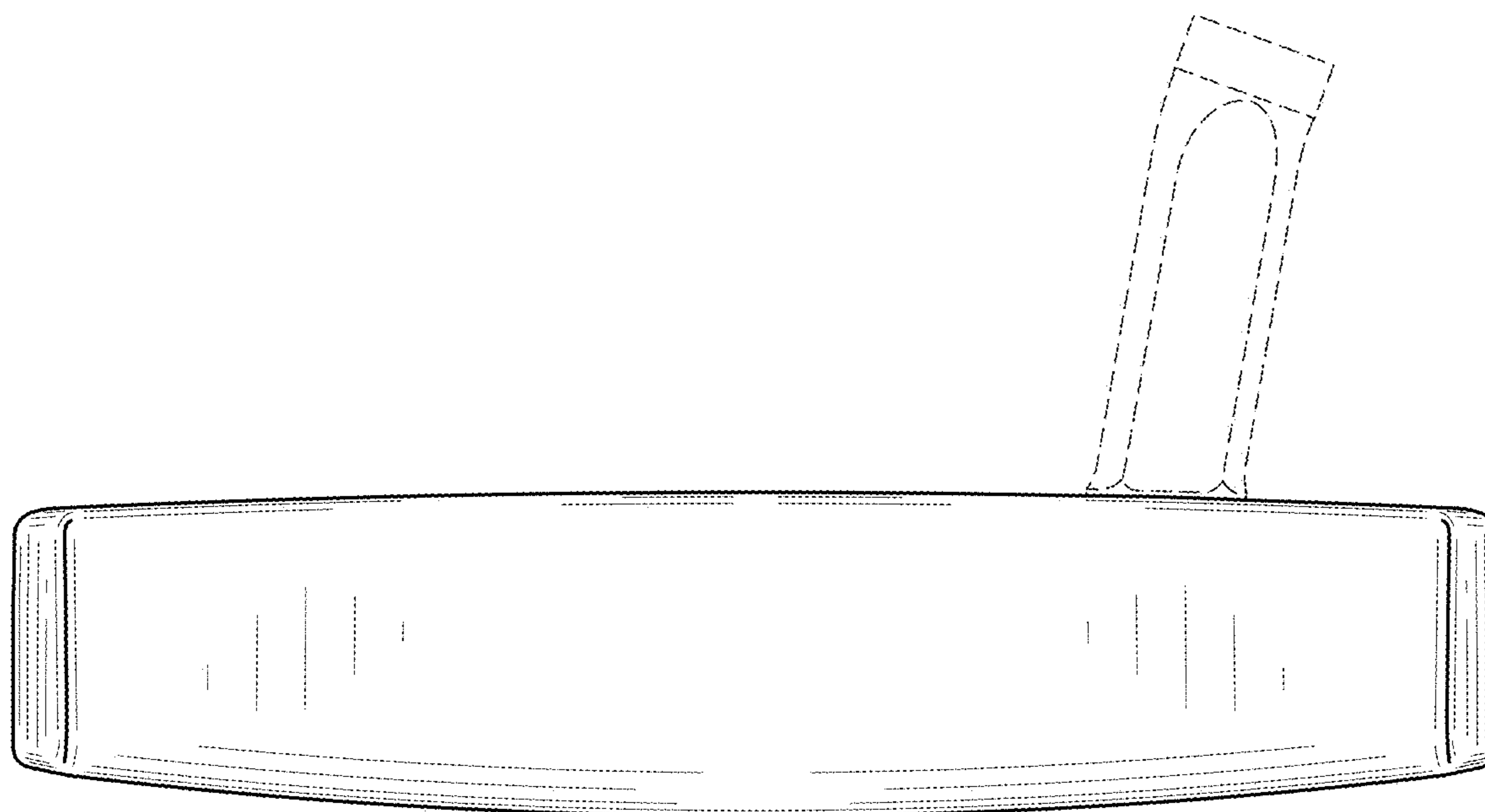


FIG. 5

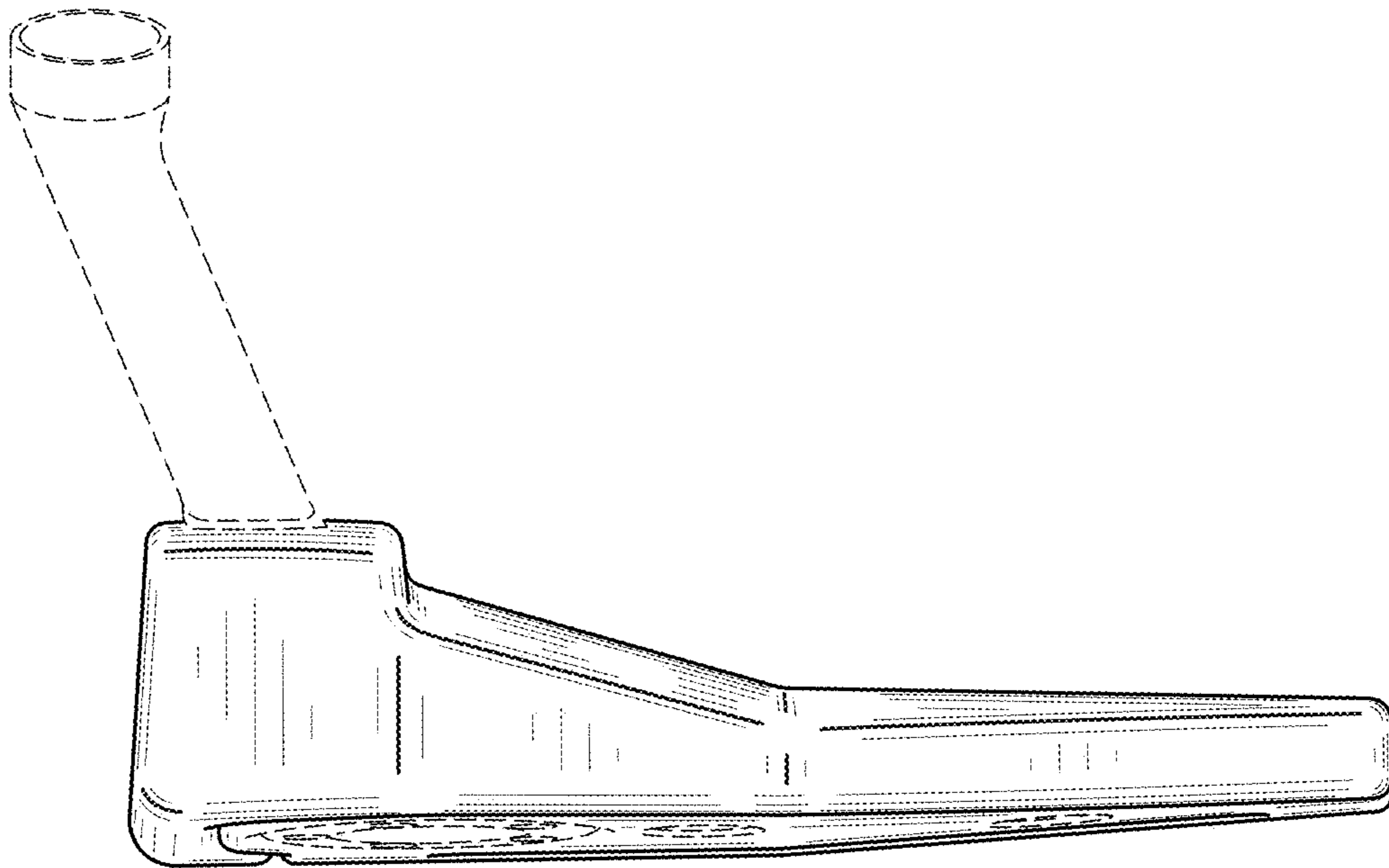


FIG. 6

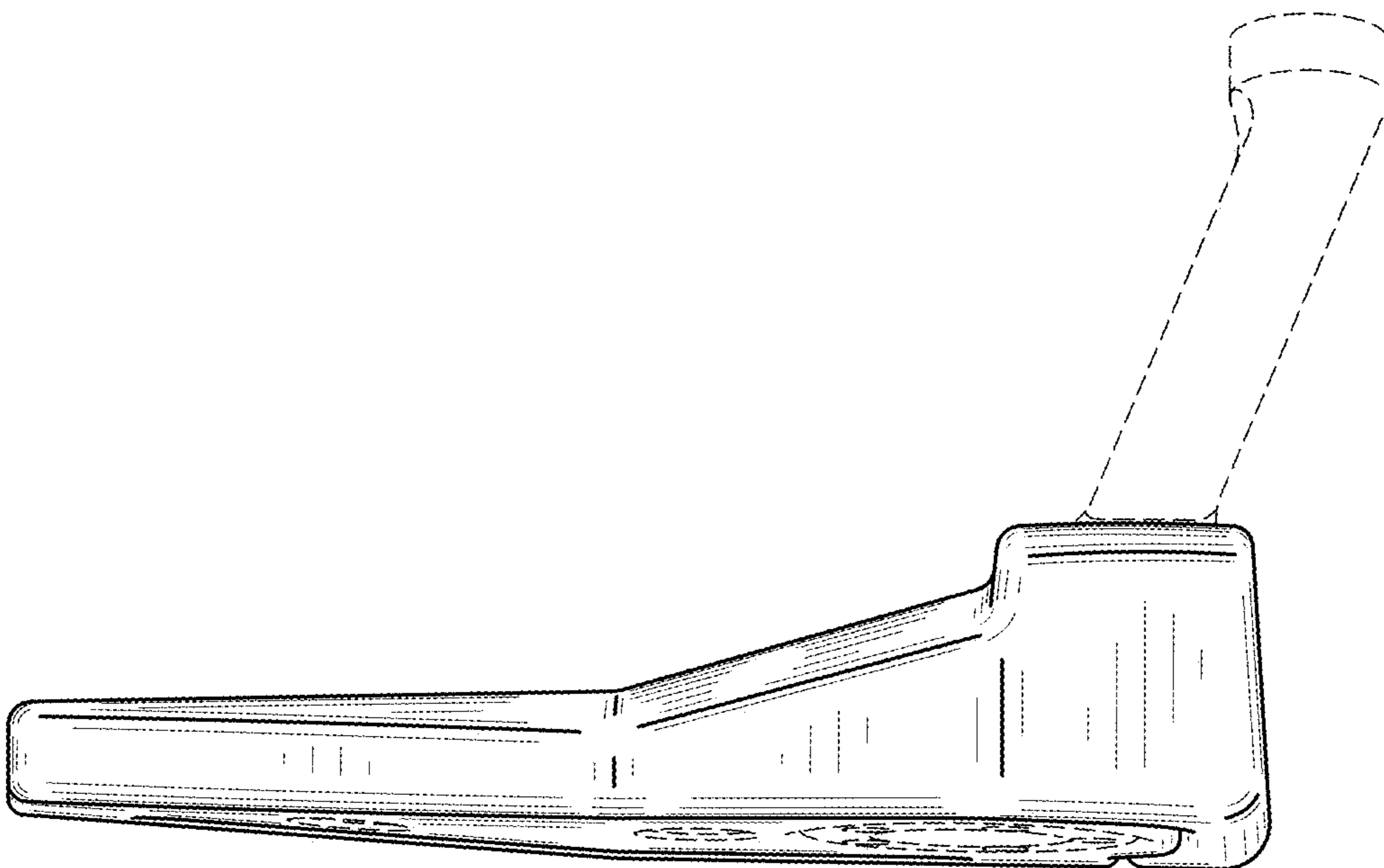


FIG. 7