



US00D936767S

(12) **United States Design Patent** (10) **Patent No.:** **US D936,767 S**
Wang (45) **Date of Patent:** **** Nov. 23, 2021**

- (54) **GOLF TEE**
- (71) Applicant: **Qingdao Billisagolf Co., Ltd**, Qingdao (CN)
- (72) Inventor: **Shengpeng Wang**, Qingdao (CN)
- (**) Term: **15 Years**
- (21) Appl. No.: **29/737,397**
- (22) Filed: **Jun. 9, 2020**
- (51) **LOC (13) Cl.** **21-02**
- (52) **U.S. Cl.**
USPC **D21/718**
- (58) **Field of Classification Search**
USPC D21/715-721; 473/387-403
CPC A63C 57/10-207
See application file for complete search history.

- 7,959,525 B1 * 6/2011 Brown A63B 57/13
473/387
- D885,500 S * 5/2020 Chudy D21/718
- 2005/0130769 A1 * 6/2005 Olsen A63B 57/10
473/387
- 2007/0111825 A1 * 5/2007 Lee A63B 57/10
473/386
- 2008/0132360 A1 * 6/2008 Shin A63B 57/10
473/386
- 2014/0228154 A1 * 8/2014 Carroll A63B 57/10
473/400
- 2019/0030406 A1 * 1/2019 Baker A63B 57/10

FOREIGN PATENT DOCUMENTS

- FR 781287 A * 5/1935 A63B 57/10
- GB 410530 A * 5/1934 A63B 57/203
- GB 427478 A * 4/1935 A63B 57/13
- KR 20040072216 A * 8/2004 A63B 57/12
- KR 300455043.0000 * 7/2007
- WO WO-2006048176 A1 * 5/2006 A63B 57/15
- WO WO-2009075498 A2 * 6/2009 A63B 57/10
- WO WO-2010093148 A2 * 8/2010 A63B 57/12

* cited by examiner

Primary Examiner — Catherine A Tuttle

(56) **References Cited**

U.S. PATENT DOCUMENTS

- 1,529,517 A * 3/1925 Tilton A63B 57/10
473/401
- D91,149 S * 12/1933 Thompson D21/718
- 2,011,203 A * 8/1935 Seiki A63B 57/10
473/396
- 3,559,998 A * 2/1971 Kelly A63B 57/10
473/396
- 3,606,344 A * 9/1971 Ball A63B 57/10
473/398
- 5,016,918 A * 5/1991 Tidwell B42D 15/0086
283/117
- D432,606 S * 10/2000 Labbe D21/718
- 6,186,907 B1 * 2/2001 Woodward A63B 57/13
473/400
- D539,368 S * 3/2007 Choo D21/718
- D555,218 S * 11/2007 Lee D21/718
- D566,802 S * 4/2008 Carroll D21/718
- D623,248 S * 9/2010 Cheng D21/718

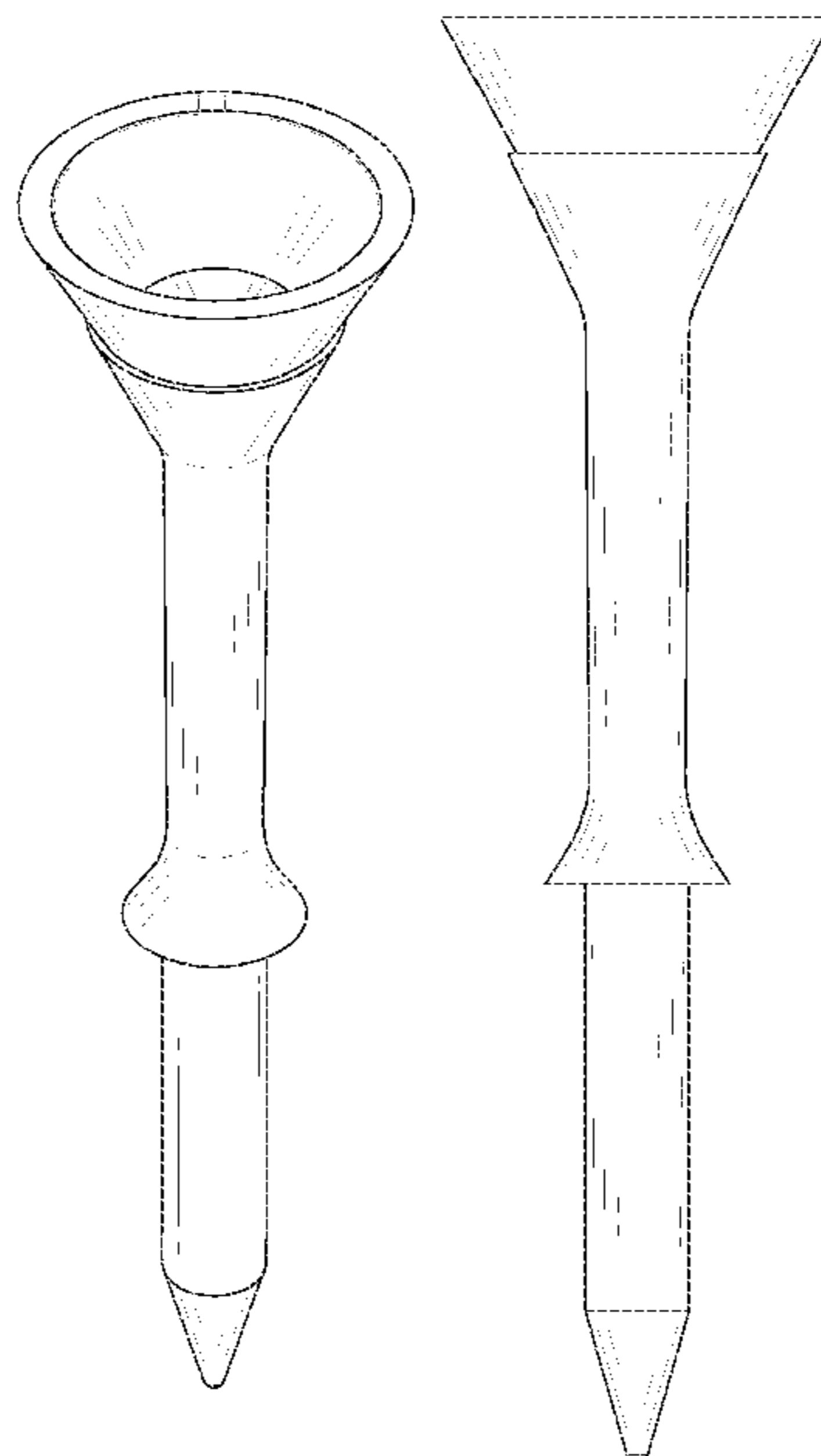
(57) **CLAIM**

The ornamental design for a golf tee, as shown and described.

DESCRIPTION

FIG. 1 is a perspective view of a golf tee showing my new design;
FIG. 2 is a front view thereof;
FIG. 3 is a back view thereof;
FIG. 4 is a left side view thereof;
FIG. 5 is a right side view thereof;
FIG. 6 is a top view thereof; and,
FIG. 7 is a bottom view thereof.

1 Claim, 7 Drawing Sheets



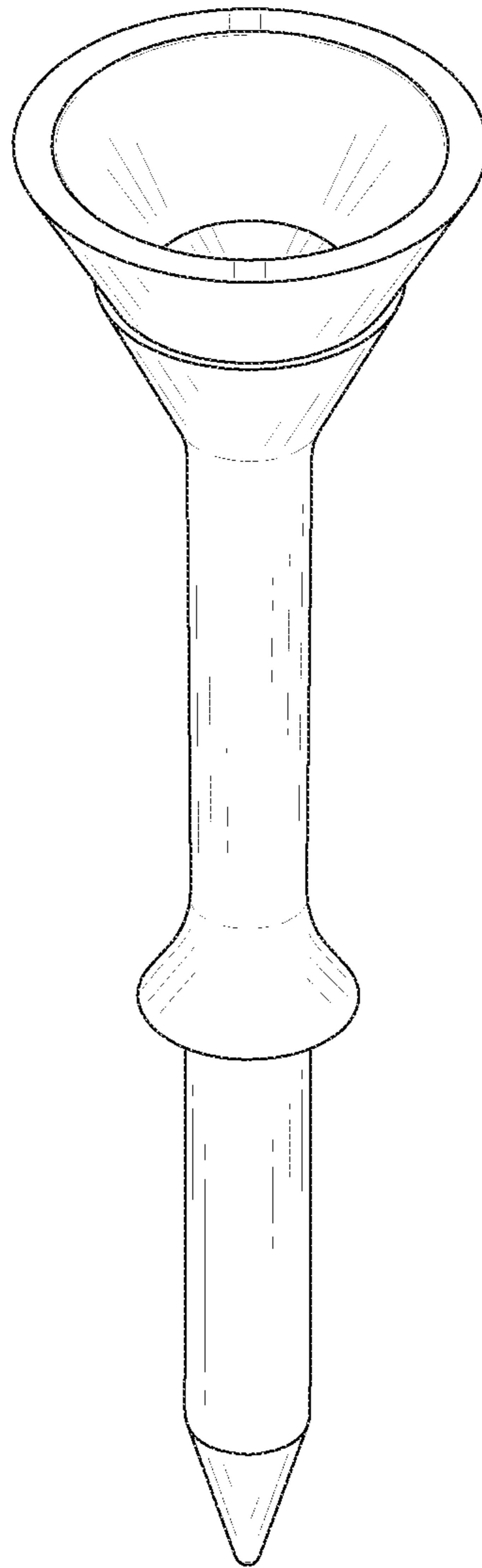


FIG. 1

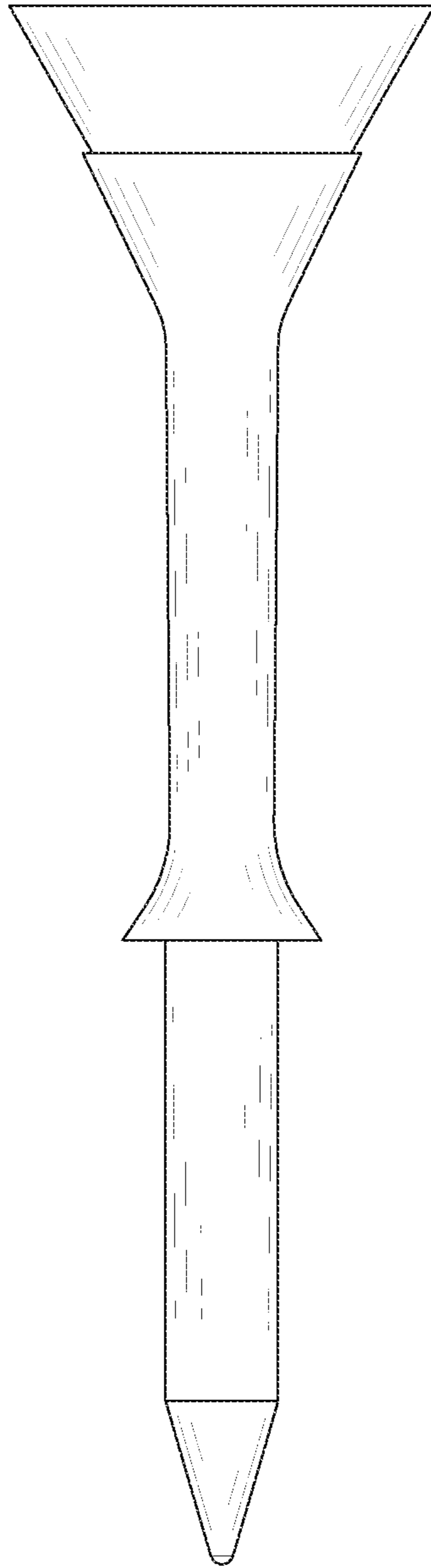


FIG. 2

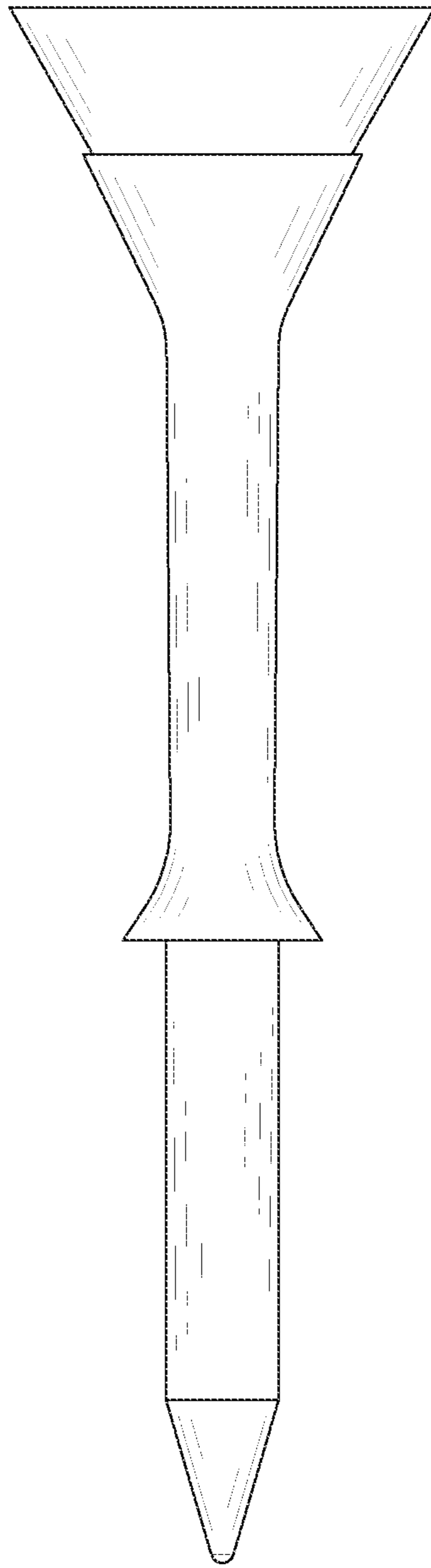


FIG. 3

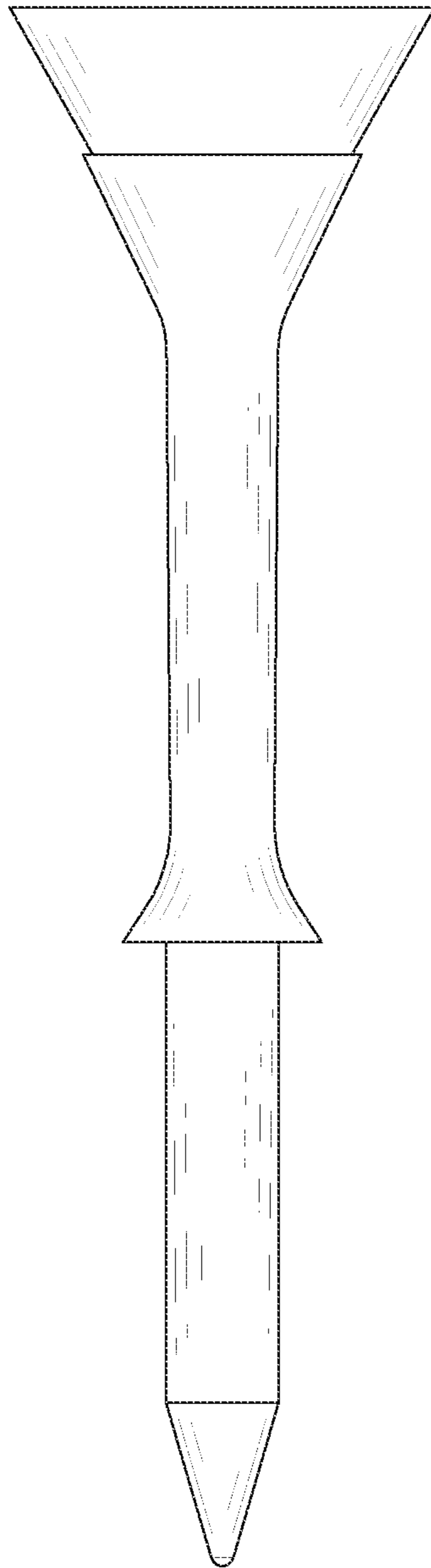


FIG. 4

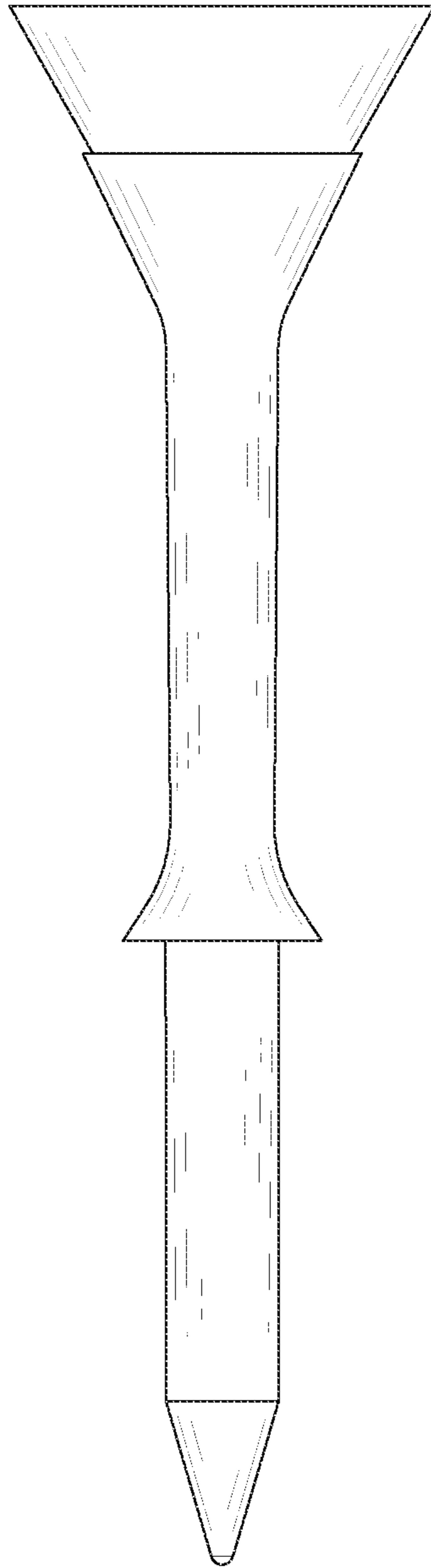


FIG. 5

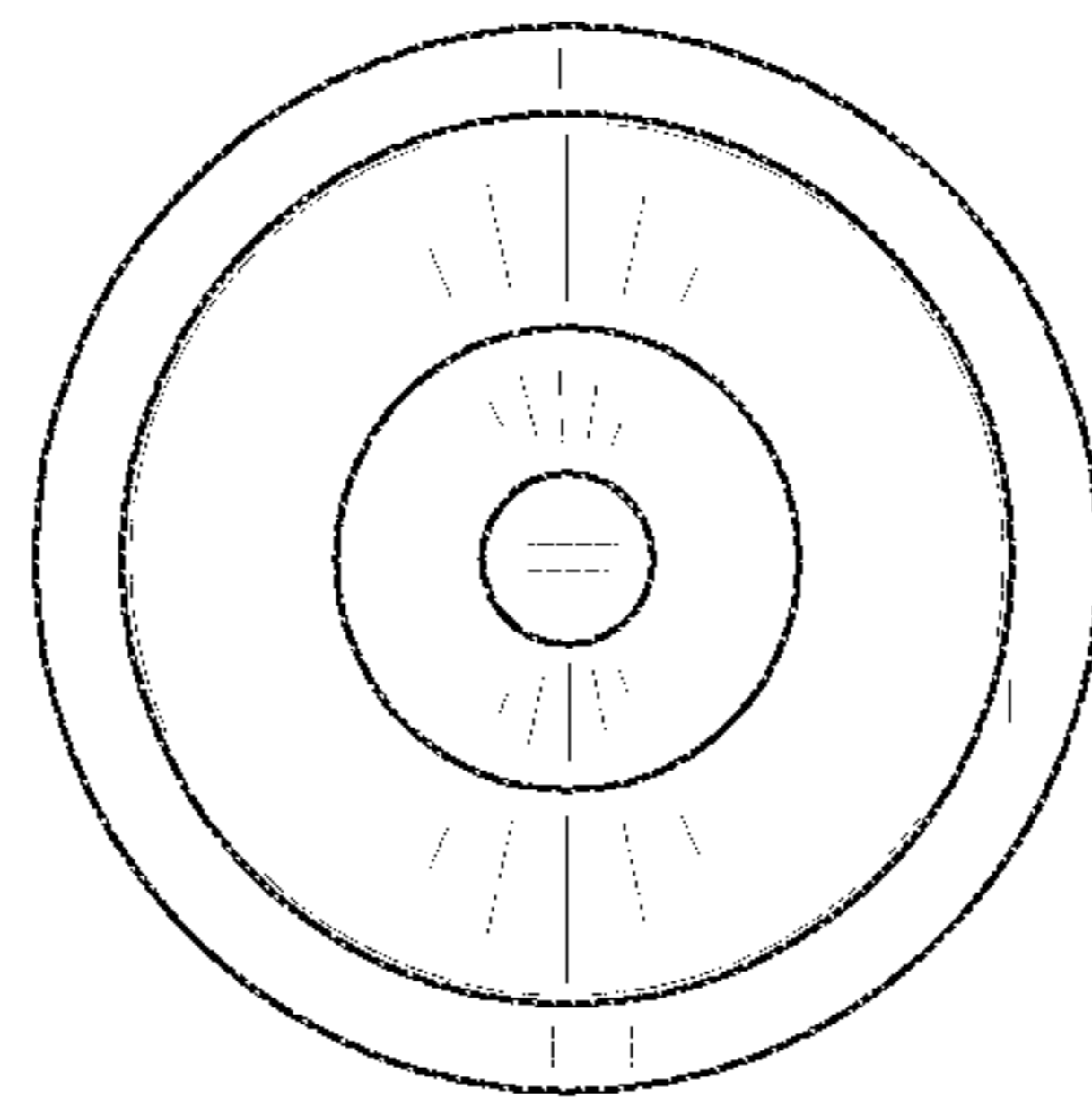


FIG. 6

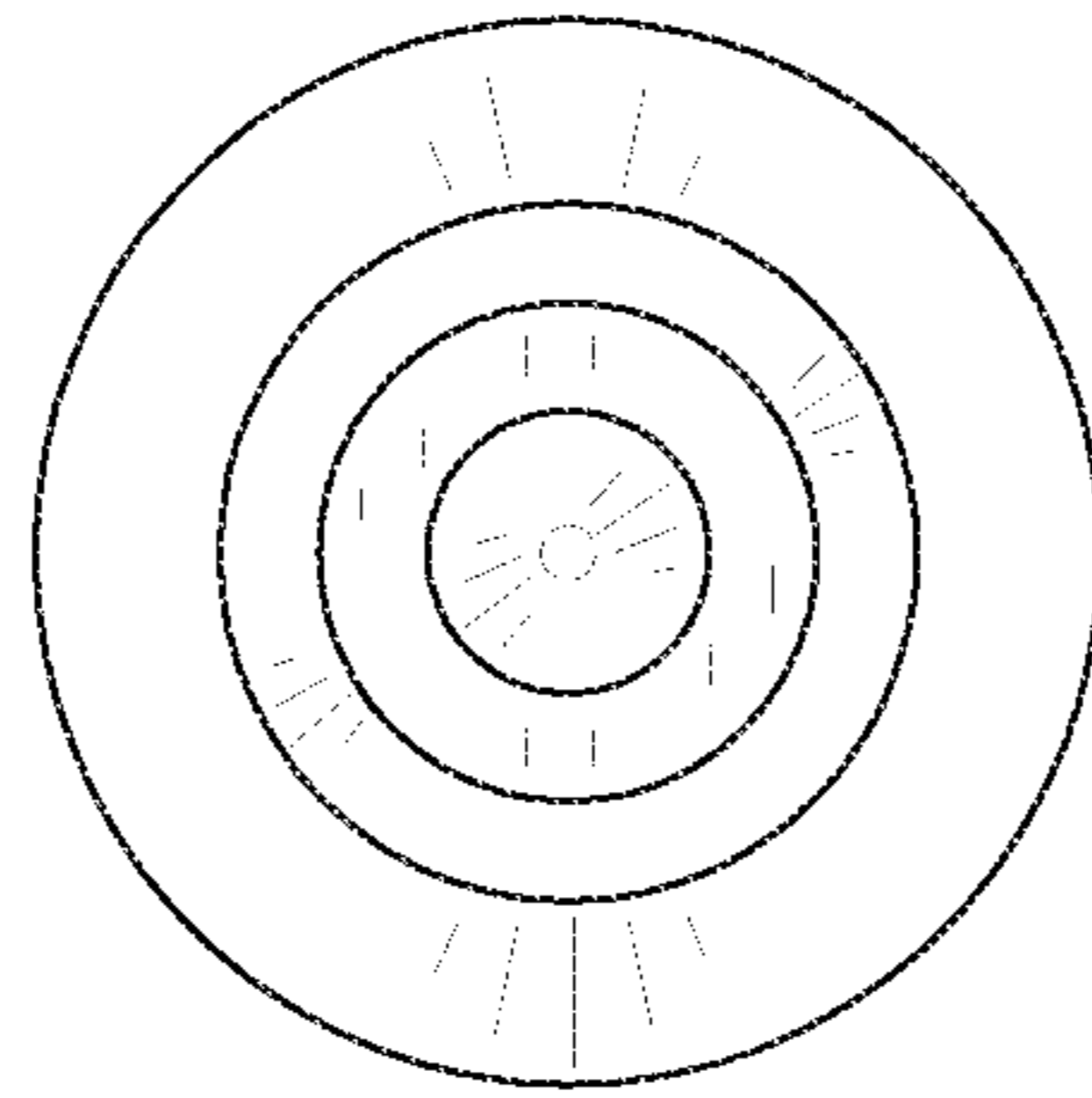


FIG. 7