



US00D936765S

(12) **United States Design Patent** (10) **Patent No.:** **US D936,765 S**
Tian (45) **Date of Patent:** **** Nov. 23, 2021**

(54) **EXERCISE BENCH**

FOREIGN PATENT DOCUMENTS

(71) Applicant: **Mo Technologies Co., Ltd.**, Shanghai (CN)

CN 3020200002585 * 1/2020

(72) Inventor: **Wangui Tian**, Shanghai (CN)

OTHER PUBLICATIONS

(73) Assignee: **MO TECHNOLOGIES CO., LTD.**, Shanghai (CN)

Ikea balance bench, announced 2014 [online], [site visited Mar. 2, 2021]. Available on internet, URL: https://www.amazon.com/IKEA-PS-2014-Balance-bench/dp/9178916984/ref=as_li_ss_tl?s=toys-and-games&ie=UTF8&qid=1502124747&sr=1-1&keywords=ikea+balance+bench&linkCode=s11&tag=wear03e-20&linkId=423dd29cafebcff2849ba7c20ba8269e (Year: 2014).*

(**) Term: **15 Years**

* cited by examiner

(21) Appl. No.: **29/721,018**

(22) Filed: **Jan. 17, 2020**

Primary Examiner — Khawaja Anwar

Assistant Examiner — Julice Seung Eun Oum

(30) **Foreign Application Priority Data**

(74) *Attorney, Agent, or Firm* — IPRO, PLLC

Jul. 26, 2019 (CN) 201930403082.8

(51) **LOC (13) Cl.** **21-02**

(52) **U.S. Cl.**
USPC **D21/690**

(57) **CLAIM**

(58) **Field of Classification Search**
USPC D21/687, 690, 662; D6/334, 342, 349, D6/352, 353, 354, 373, 377, 652.2, 653, D6/653.1, 657, 659, 668, 668.2, 671.1, D6/675, 684, 705.1

The ornamental design for an exercise bench, as shown and described.

CPC A47C 11/00; A47C 3/18; A47B 39/00
See application file for complete search history.

DESCRIPTION

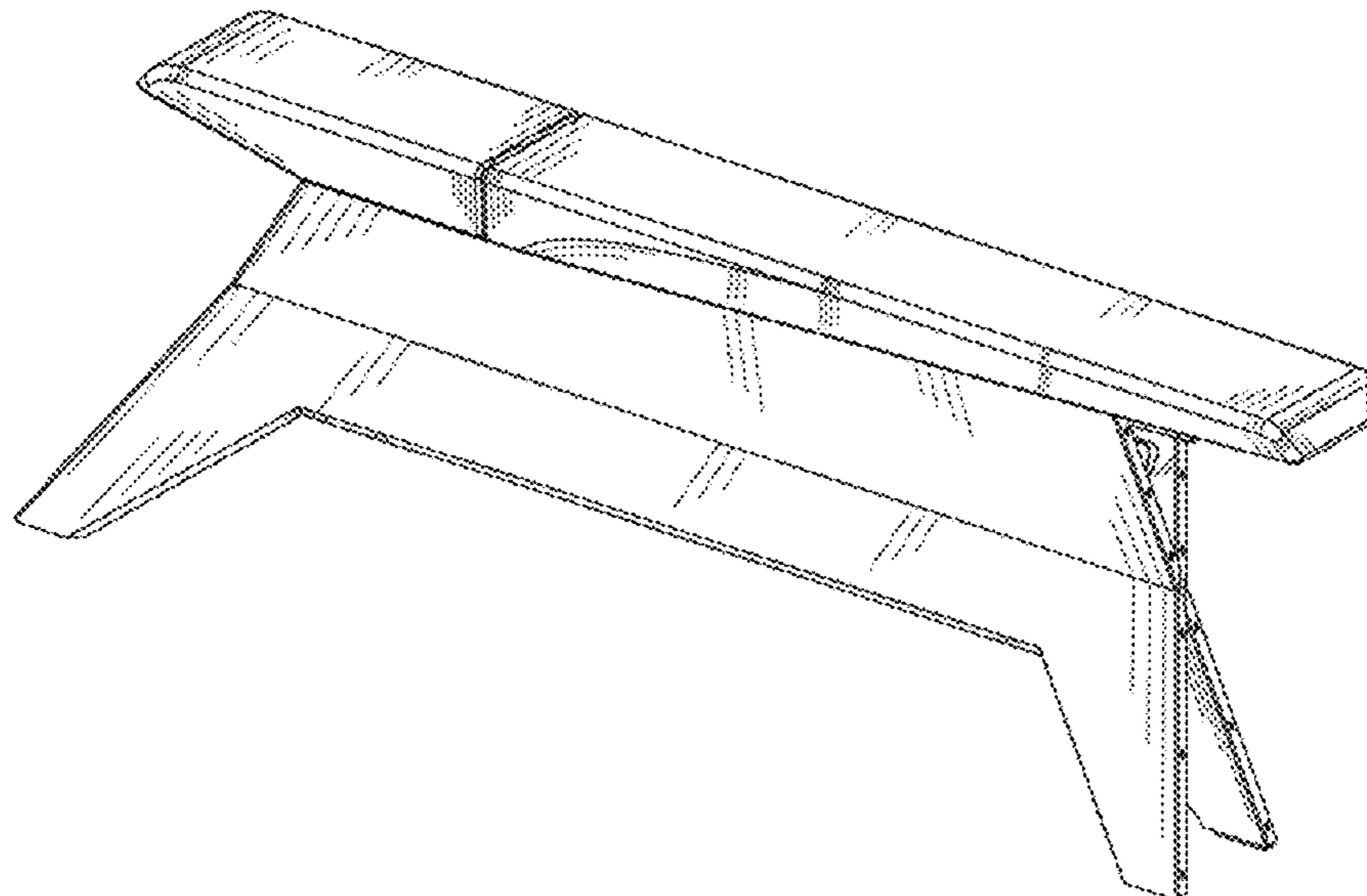
(56) **References Cited**

U.S. PATENT DOCUMENTS

4,182,432 A * 1/1980 Cossitt B25H 1/06
182/151
4,923,051 A * 5/1990 Newville B25H 1/06
182/151
D878,119 S * 3/2020 Kimmel D6/681
2003/0024604 A1 * 2/2003 Derecktor B25H 1/06
144/286.5
2004/0250903 A1 * 12/2004 Welsh B25H 1/06
144/286.5

FIG. 1 is a perspective view of an exercise bench embodying the new design;
FIG. 2 is a front view thereof;
FIG. 3 is a back view thereof;
FIG. 4 is a left side view thereof;
FIG. 5 is a right side view thereof;
FIG. 6 is a top view thereof; and,
FIG. 7 is a bottom view thereof.
In the drawings, the broken lines depict unclaimed subject matter only and form no part of the claimed design.

1 Claim, 7 Drawing Sheets



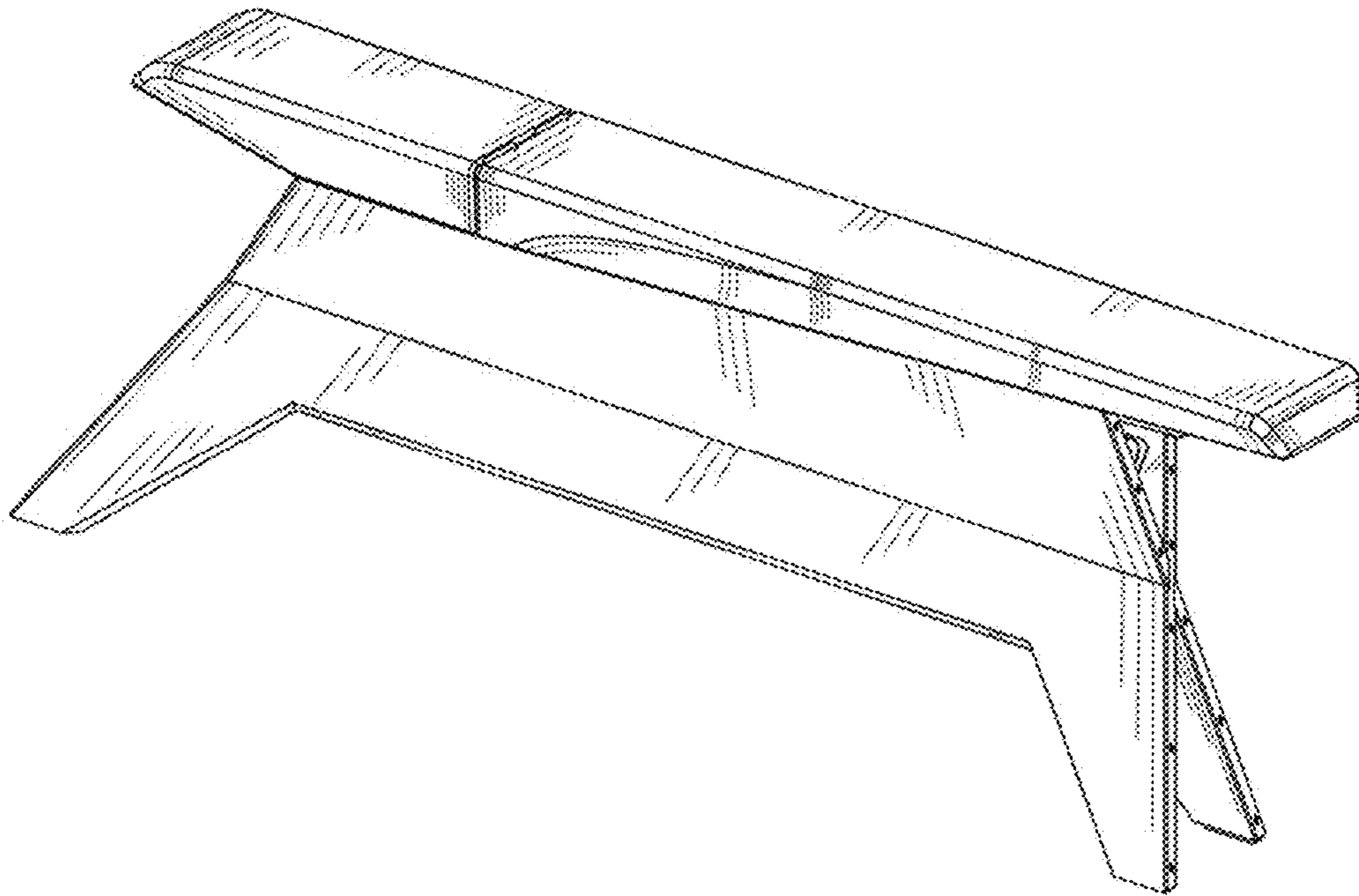


FIG. 1

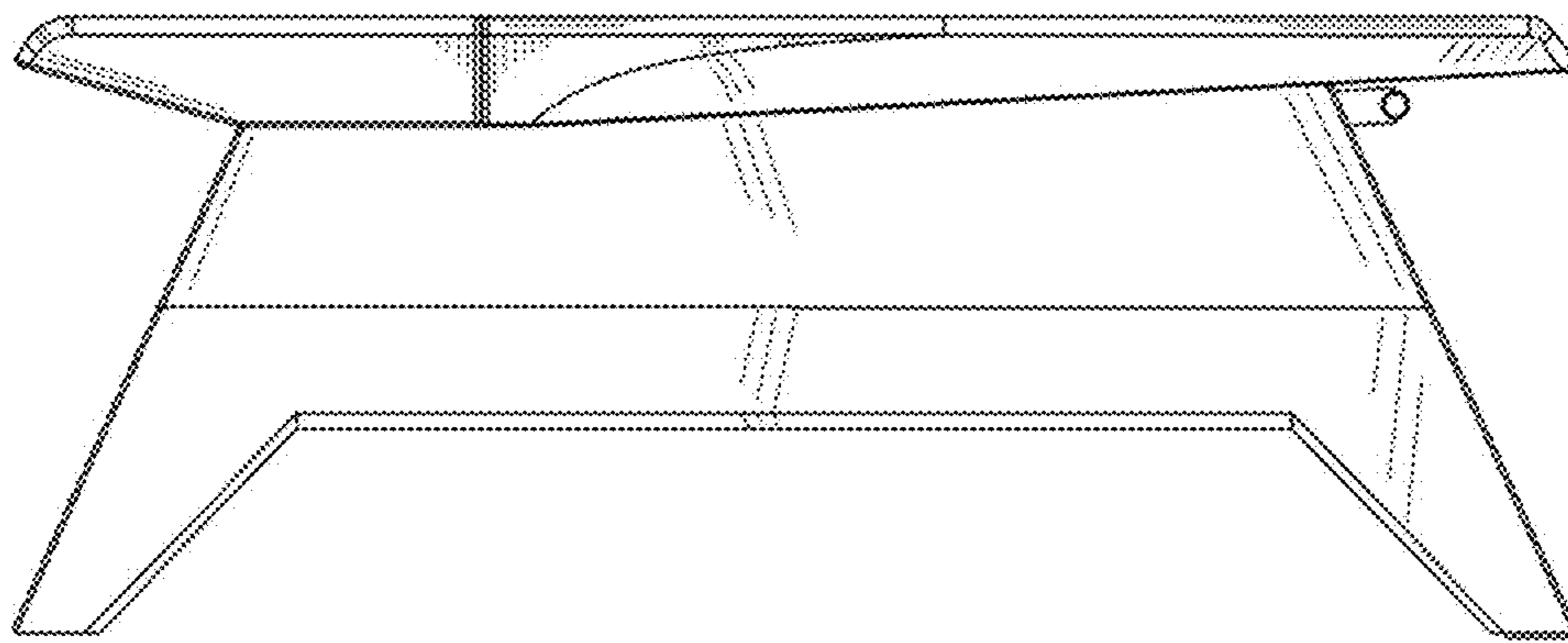


FIG. 2

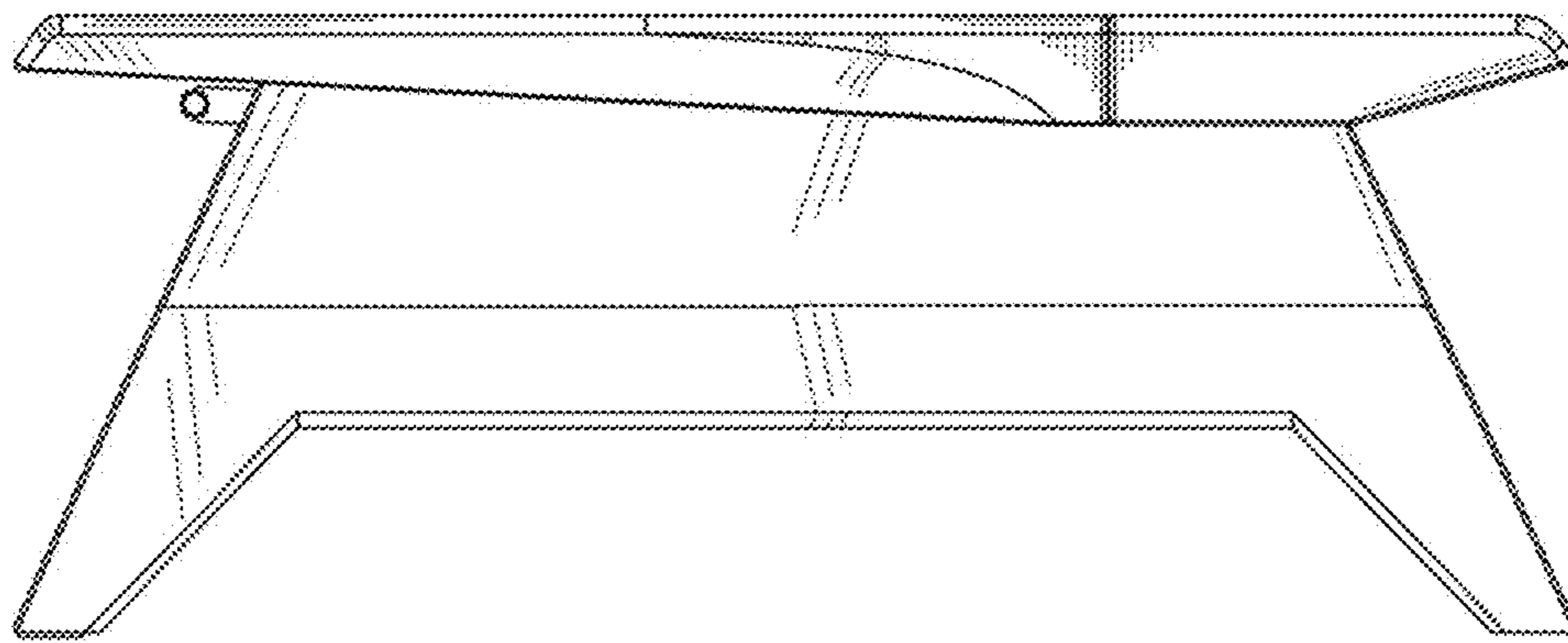


FIG. 3

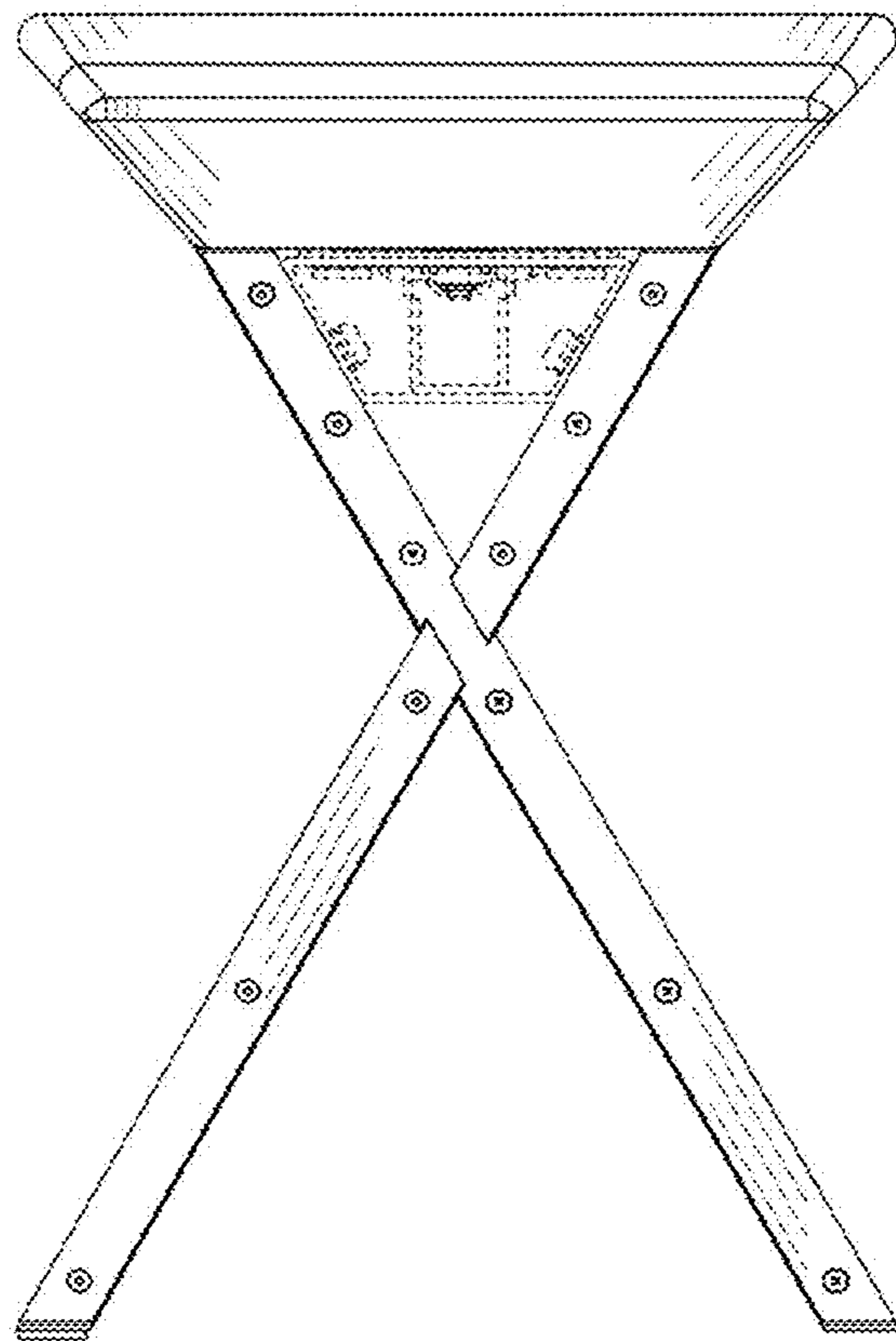


FIG. 4

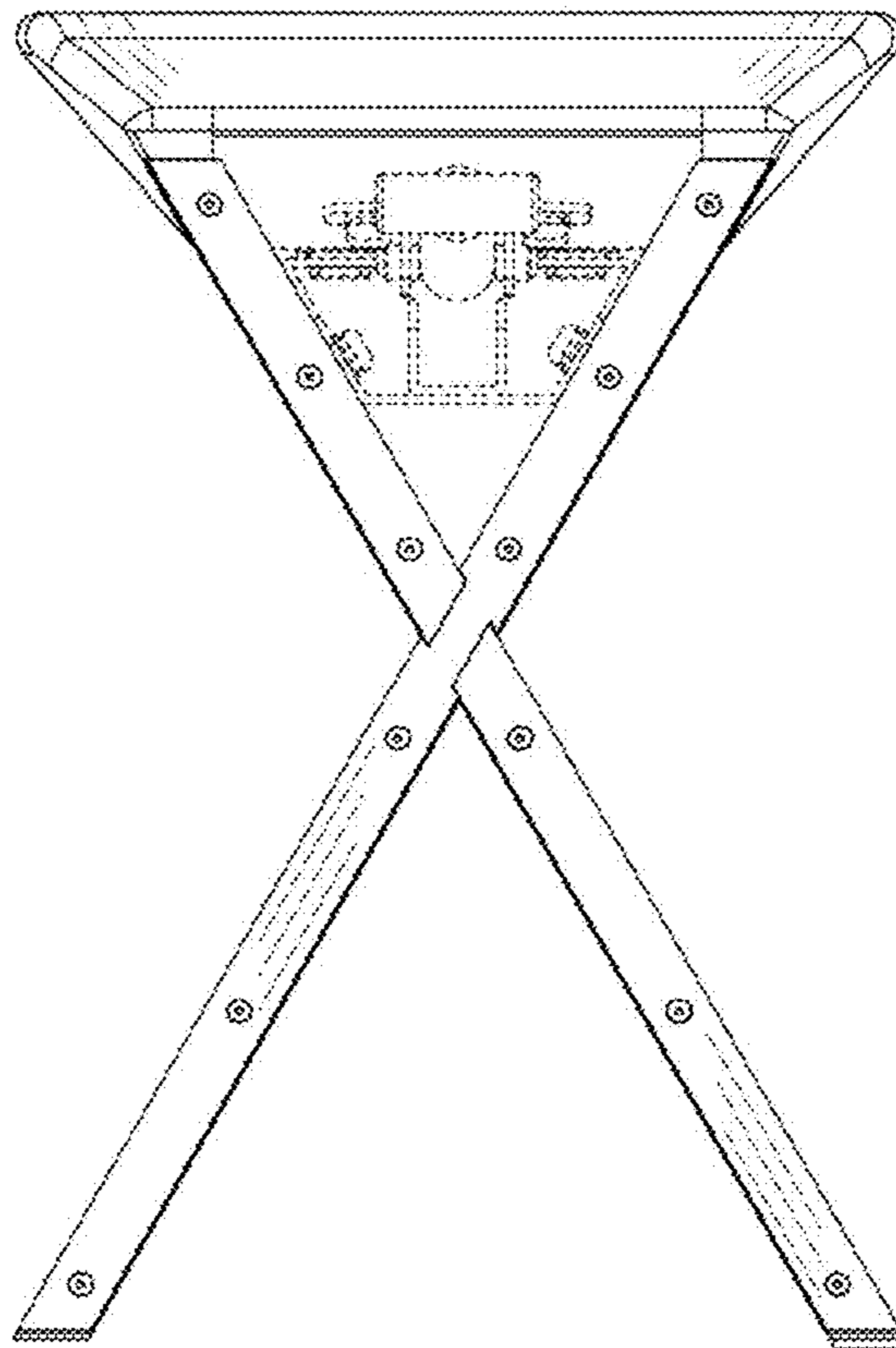


FIG. 5

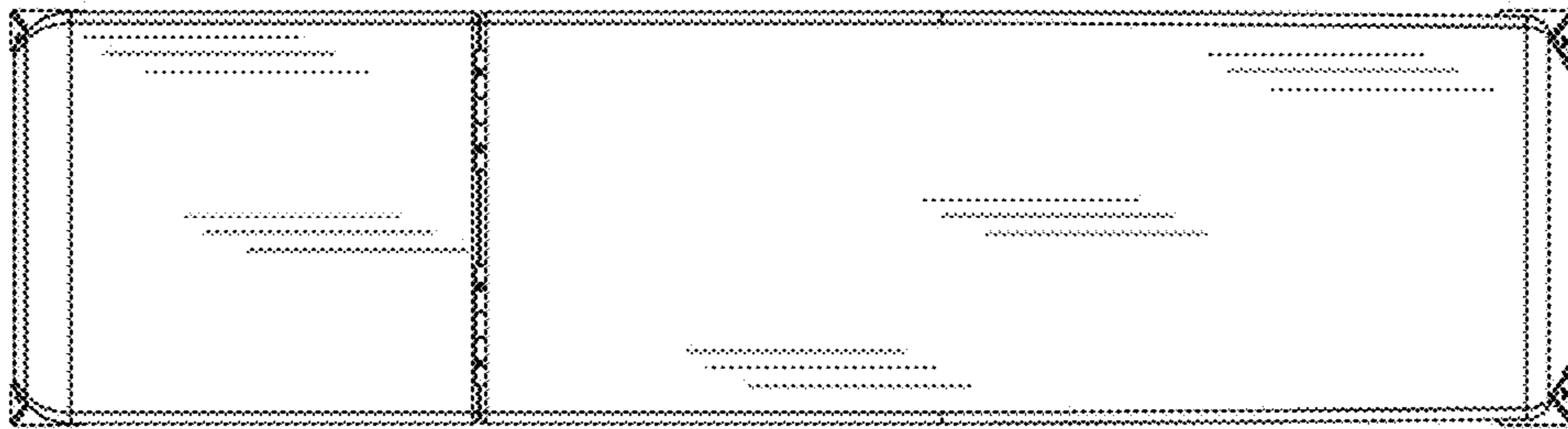


FIG. 6

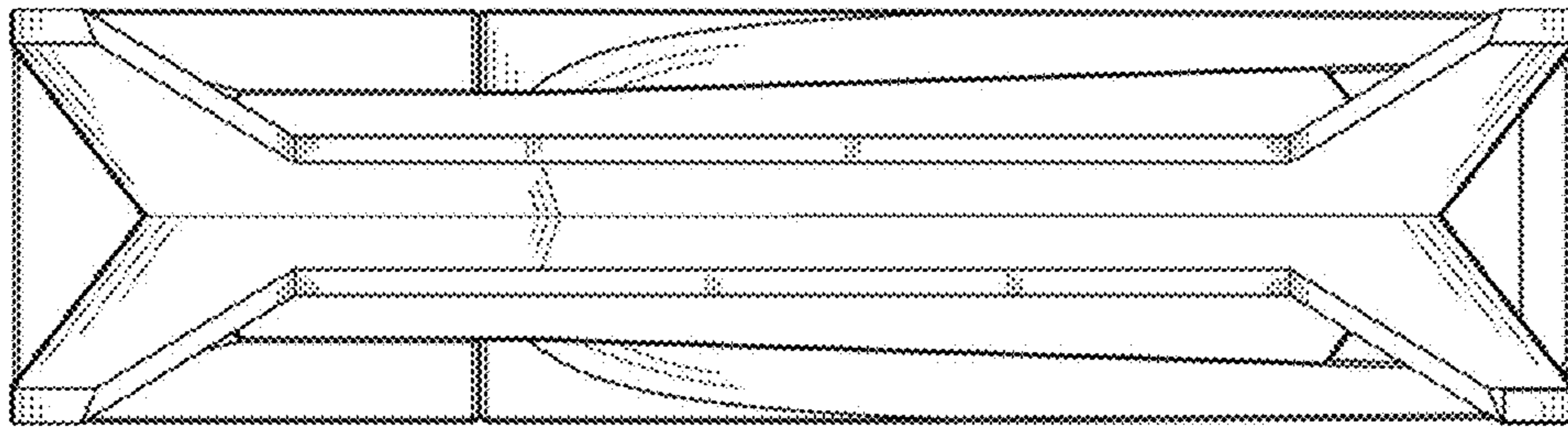


FIG. 7