



US00D936764S

(12) **United States Design Patent** (10) **Patent No.:** **US D936,764 S**  
**Gao** (45) **Date of Patent:** **\*\* Nov. 23, 2021**

(54) **POWER TOWER**

(71) Applicant: **Ningbo Ainfox Network Technology Co., Ltd., Zhejiang (CN)**

(72) Inventor: **Shaofeng Gao, Zhejiang (CN)**

(\*\*) Term: **15 Years**

(21) Appl. No.: **29/710,766**

(22) Filed: **Oct. 25, 2019**

(51) **LOC (13) Cl.** ..... **21-02**

(52) **U.S. Cl.**  
USPC ..... **D21/686**

(58) **Field of Classification Search**  
USPC ..... D21/690, 691, 694, 686, 662, 665, 676,  
D21/679, 687, 692  
See application file for complete search history.

(56) **References Cited**

**U.S. PATENT DOCUMENTS**

D439,939	S *	4/2001	Batca	.....	D21/675
D513,289	S *	12/2005	Panatta	.....	D21/676
8,172,726	B1 *	5/2012	Leier	.....	A63B 21/1627 482/23
D812,156	S *	3/2018	Stoyanov Kichev	.....	D21/675
D850,543	S *	6/2019	Lau	.....	D21/686
10,751,565	B2 *	8/2020	Saadallah	.....	A63B 23/1236
D895,743	S *	9/2020	Lau	.....	D21/691
2012/0046150	A1 *	2/2012	Stacey	.....	A63B 21/00047 482/131
2013/0274075	A1 *	10/2013	Habing	.....	A63B 21/078 482/102
2014/0221163	A1 *	8/2014	McBride	.....	A63B 23/1218 482/40

2015/0352395	A1 *	12/2015	Gregory	.....	A63B 23/03558 482/123
2017/0036059	A1 *	2/2017	Chou	.....	A63B 21/00065
2020/0353308	A1 *	11/2020	Kim	.....	A63B 69/0062

**OTHER PUBLICATIONS**

KingKang strength training, announced 2017 [online], [site visited Jul. 14, 2021]. Available on internet, URL:https://www.amazon.com/KiNGKANG-Adjustable-Multi-Function-Strength-Training/dp/B071W8S9XB/ref=pd\_di\_sccai\_3/144-4039124-1404704?pd\_rd\_w=Bdhy5&pf\_rd\_p=c9443270-b914-4430-a90b-72e3e7e784e0&pf\_rd\_r=MYPRTNKFMBARX2XXJ5QM&pd\_rd\_r=c3adbf1c-2cd4-4cc9-ab53-46292f17e194&pd\_rd\_wg=zHCAh&pd\_rd\_i=B071W8S9XB&psc=1 (Year: 2017). (Year: 2017).\*

\* cited by examiner

*Primary Examiner* — Khawaja Anwar  
*Assistant Examiner* — Julice Seung Eun Oum

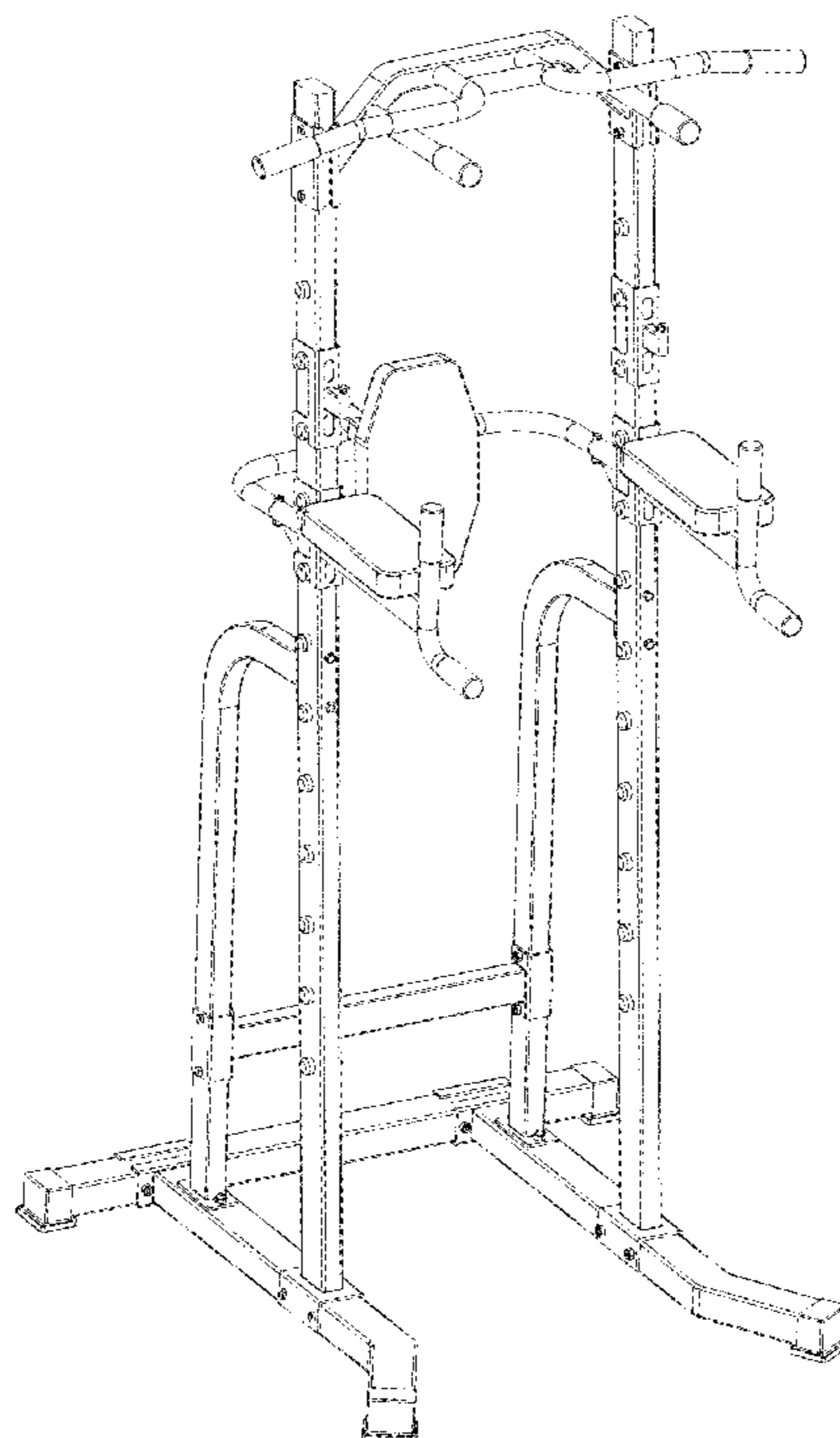
(57) **CLAIM**

The ornamental design for a power tower, as shown and described.

**DESCRIPTION**

FIG. 1 is a front elevational view of a power tower showing my new design;  
FIG. 2 is a rear elevational view thereof;  
FIG. 3 is a left side view thereof;  
FIG. 4 is a right side view thereof;  
FIG. 5 is a top plan view thereof;  
FIG. 6 is a bottom plan view thereof; and,  
FIG. 7 is a perspective view thereof.

**1 Claim, 7 Drawing Sheets**



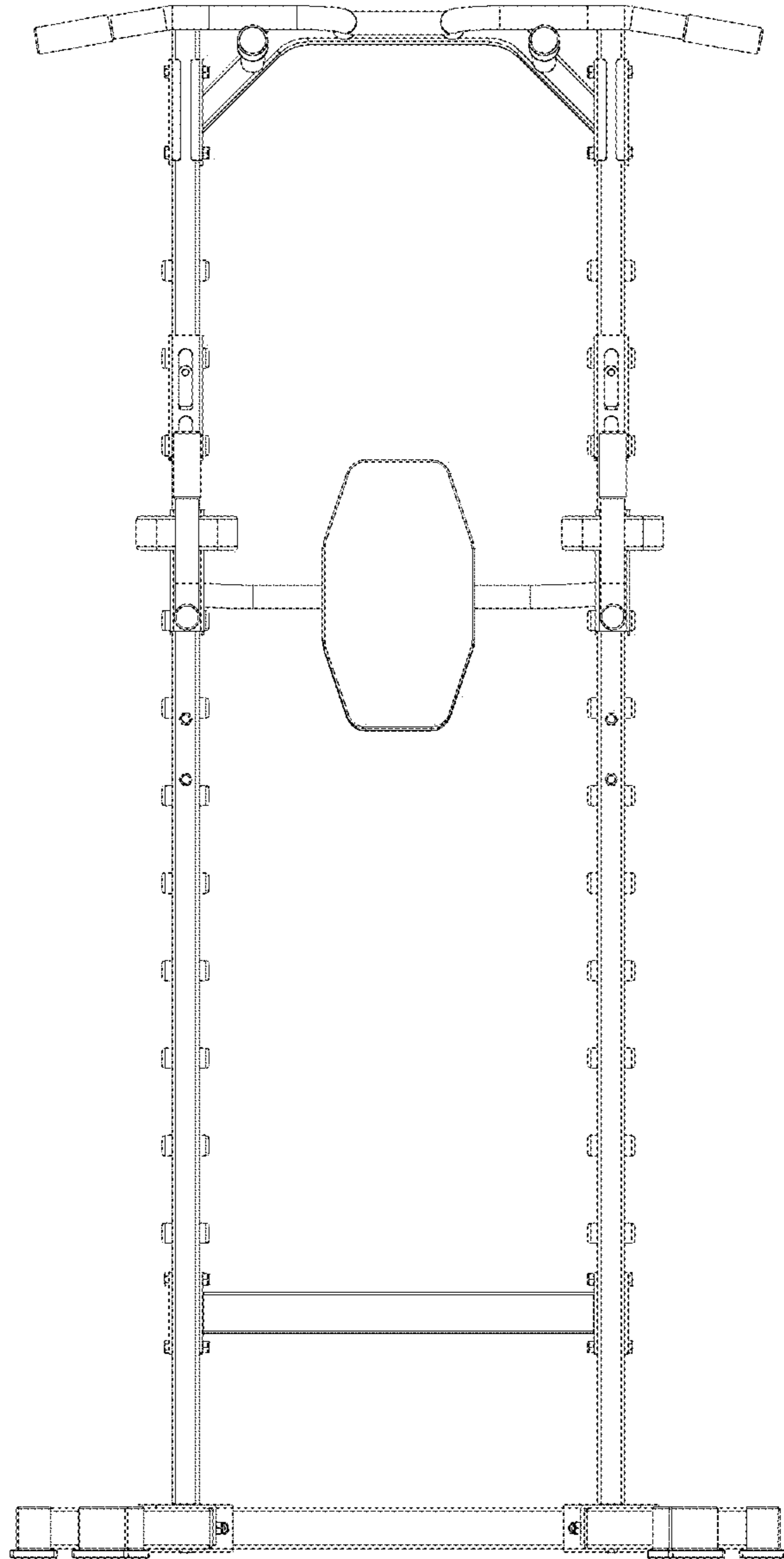


FIG. 1

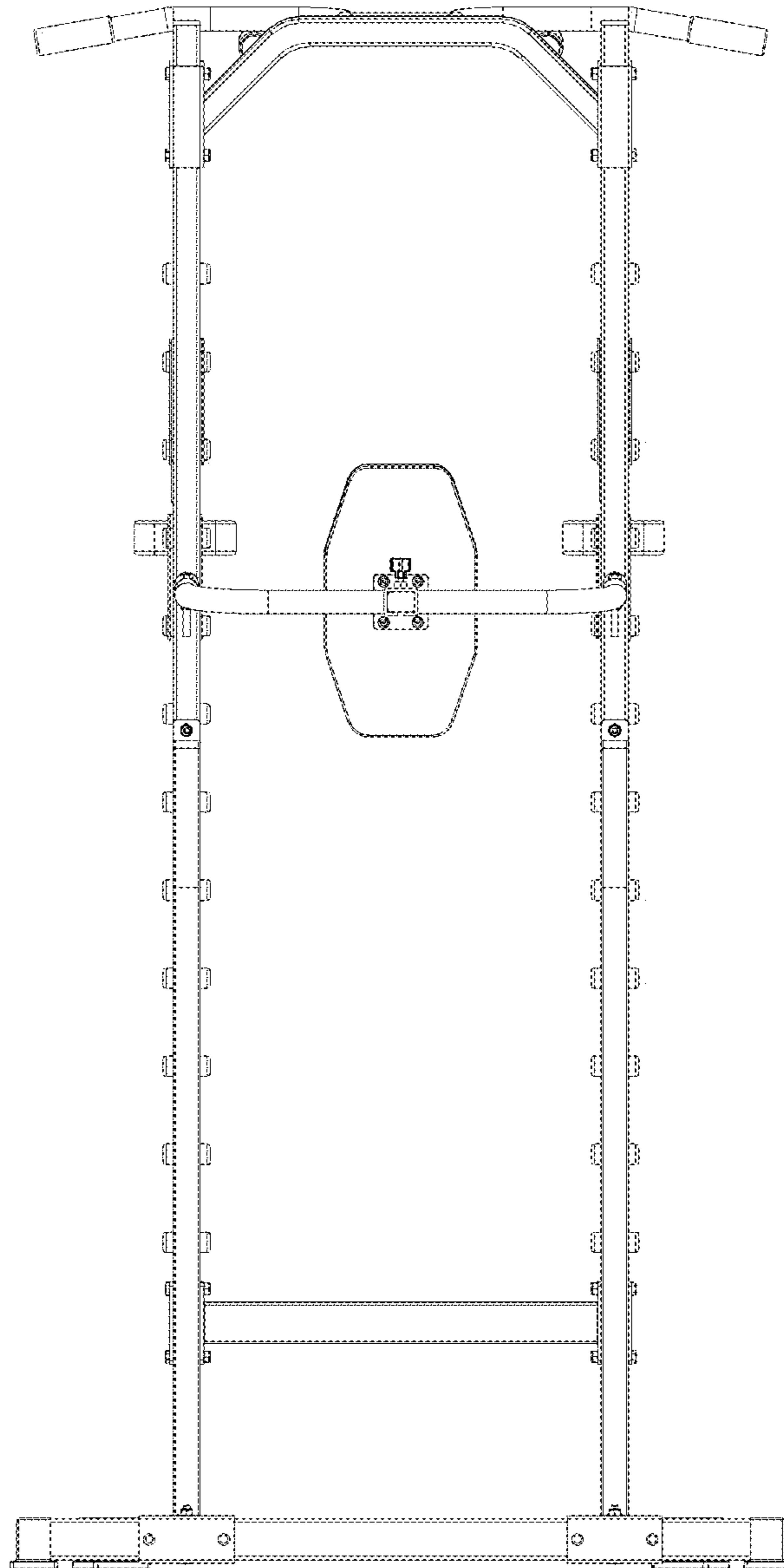


FIG. 2

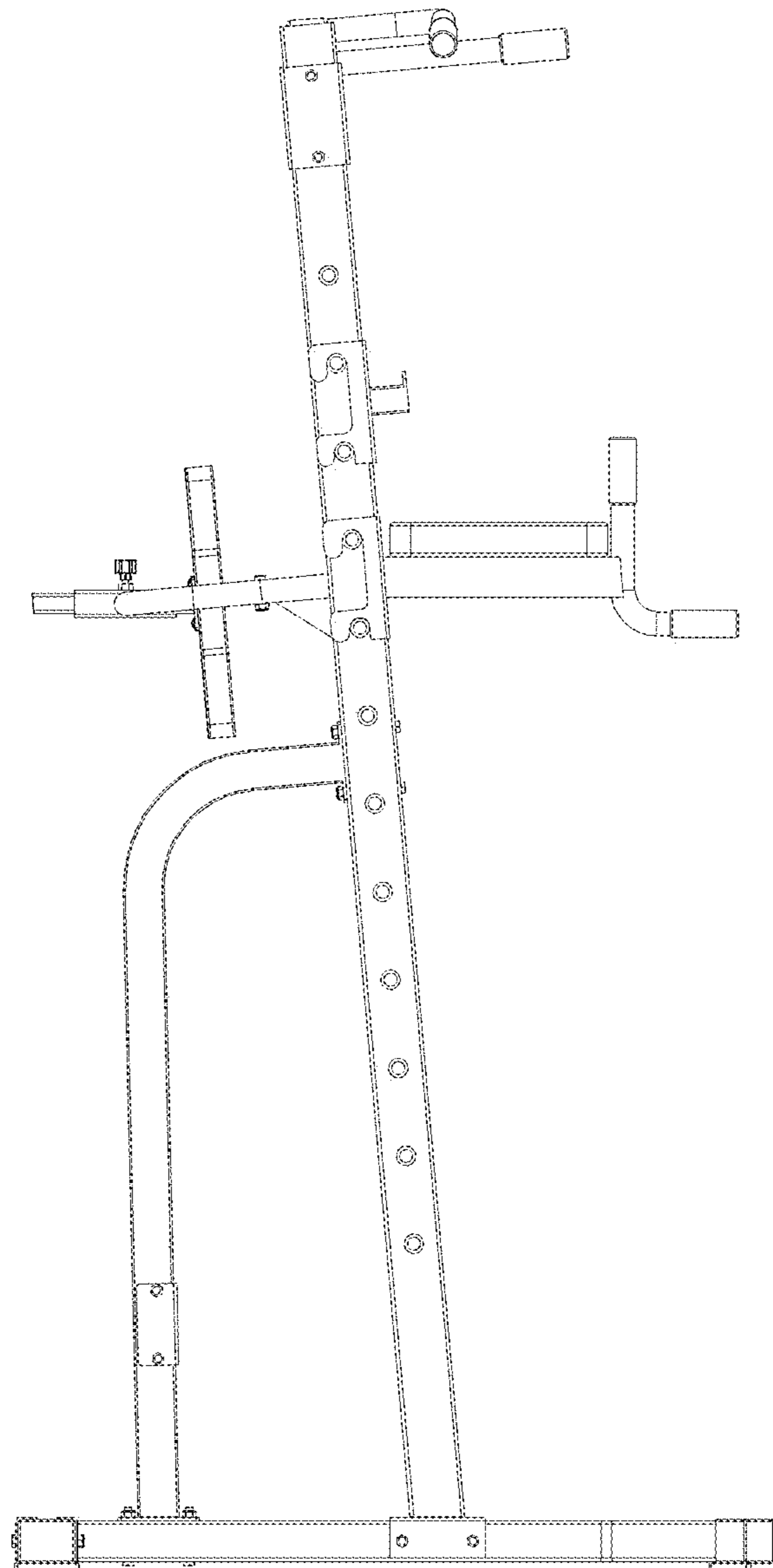


FIG. 3

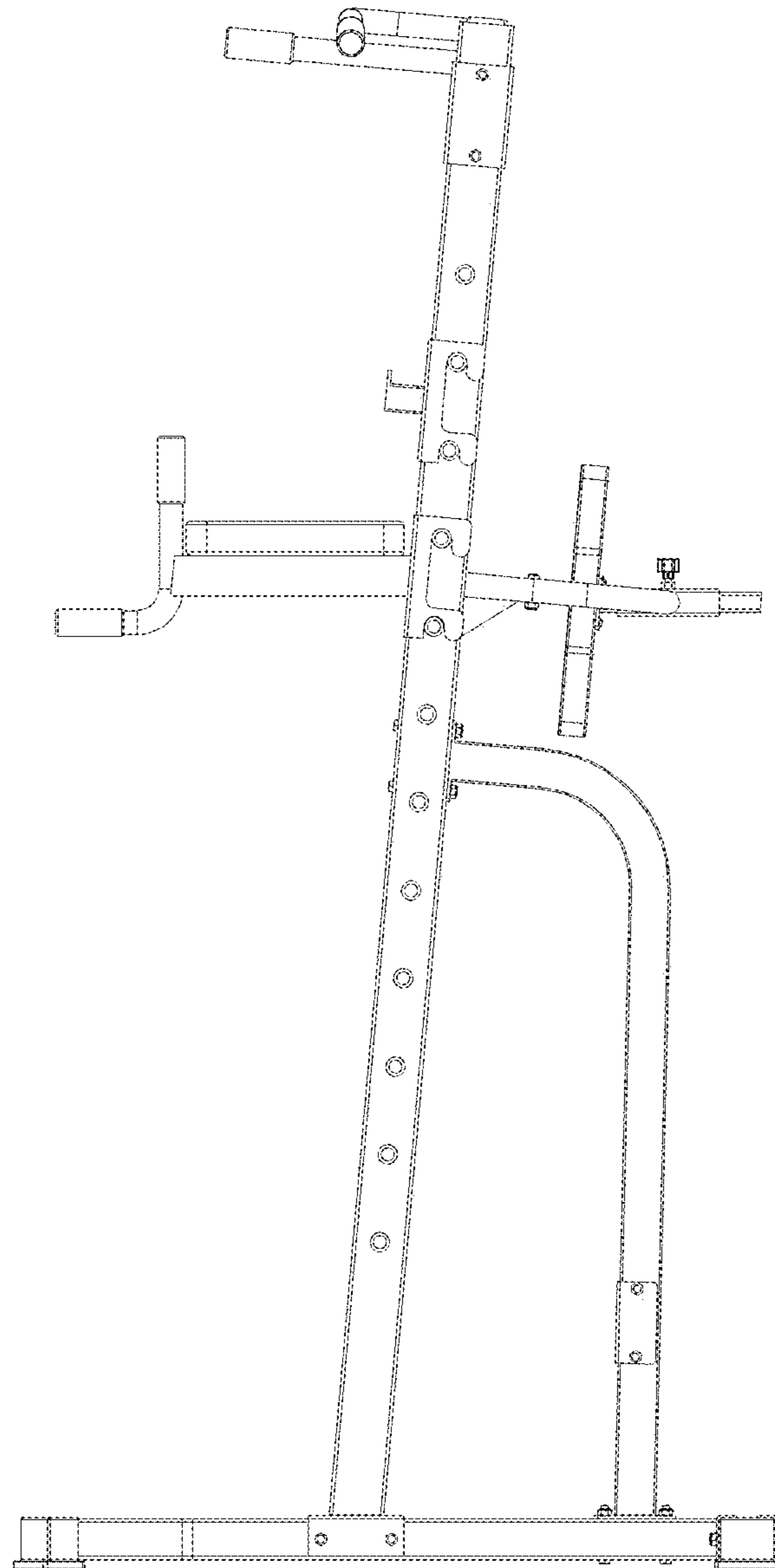


FIG. 4

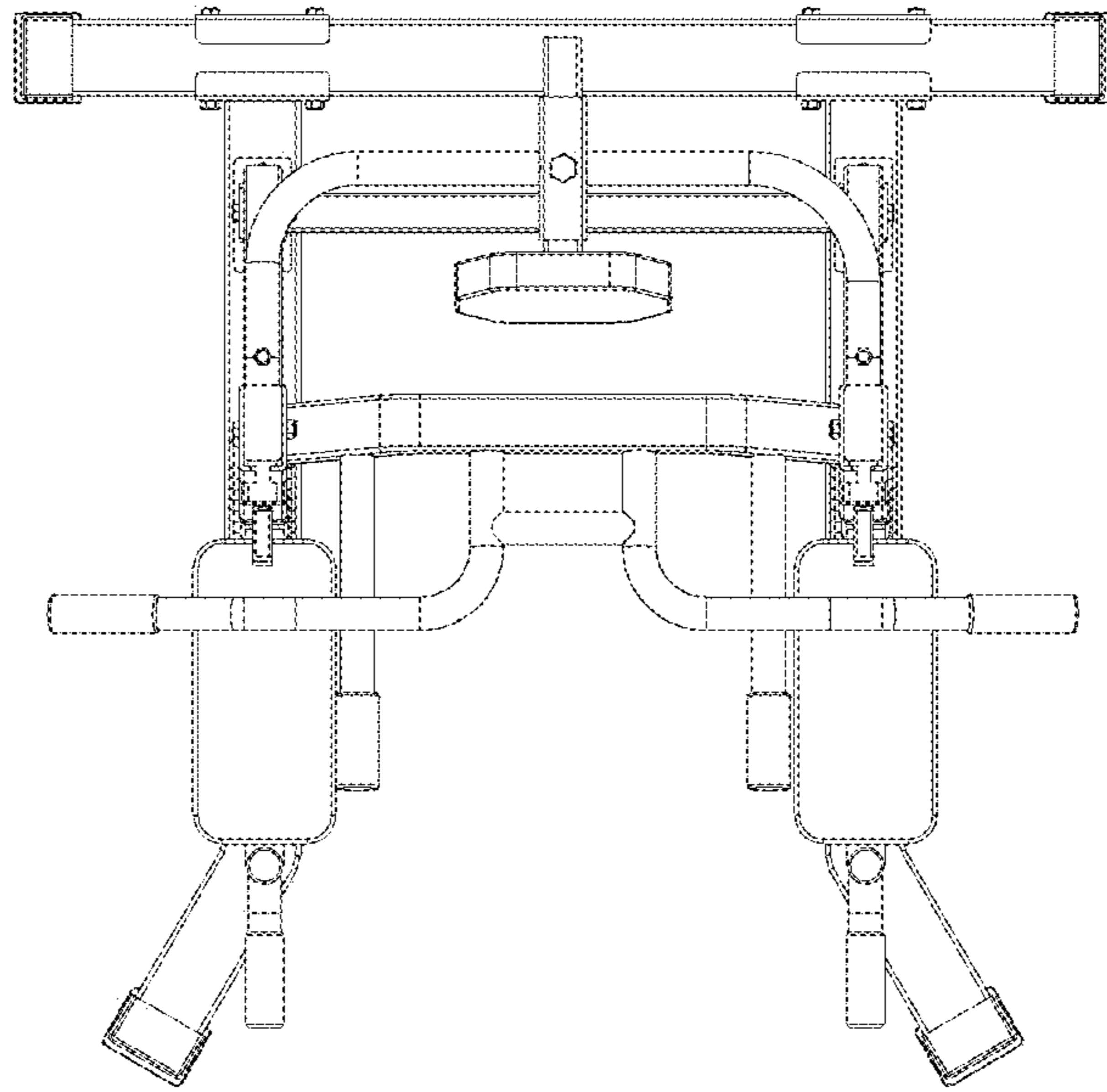


FIG. 5

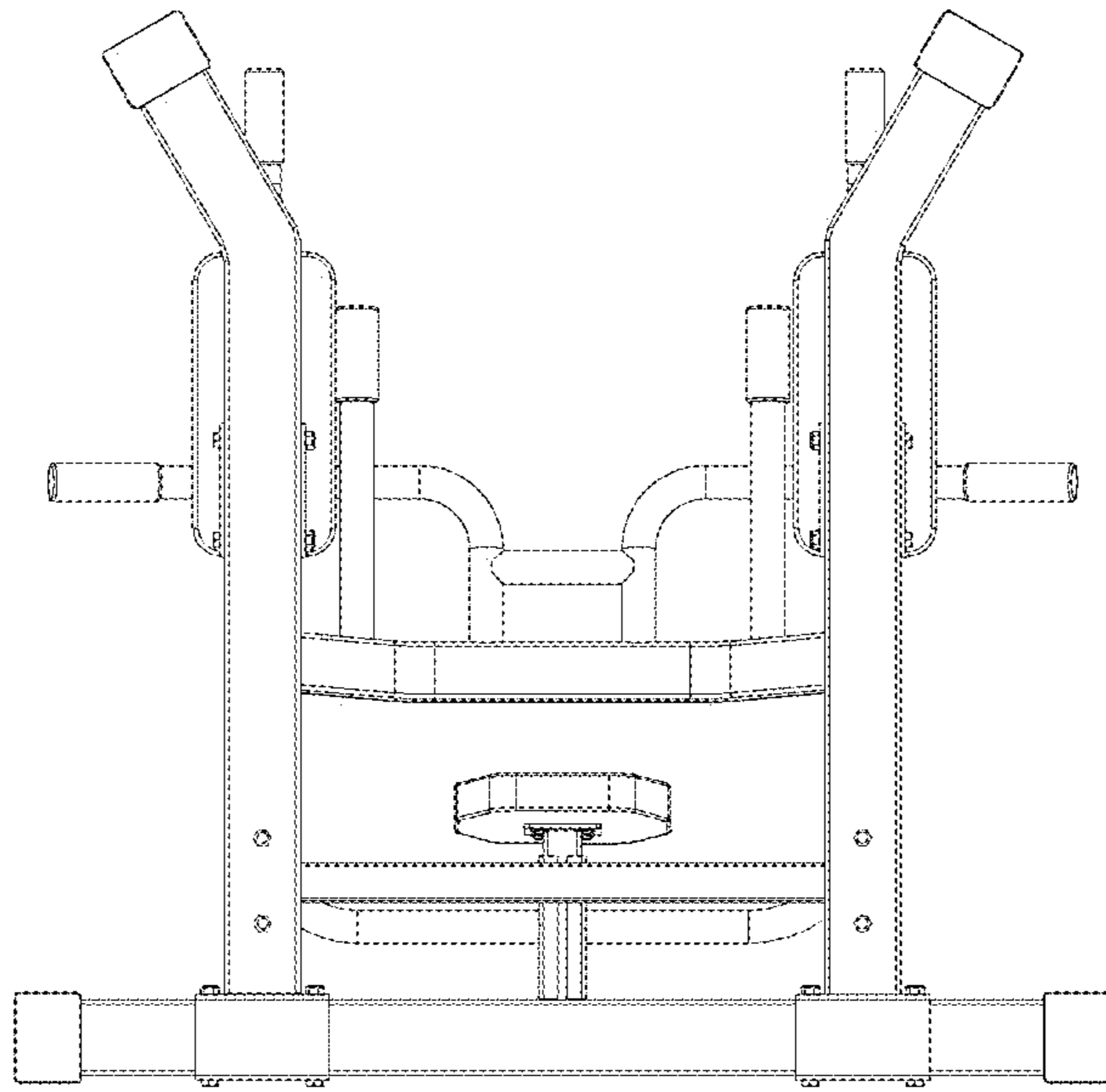


FIG. 6

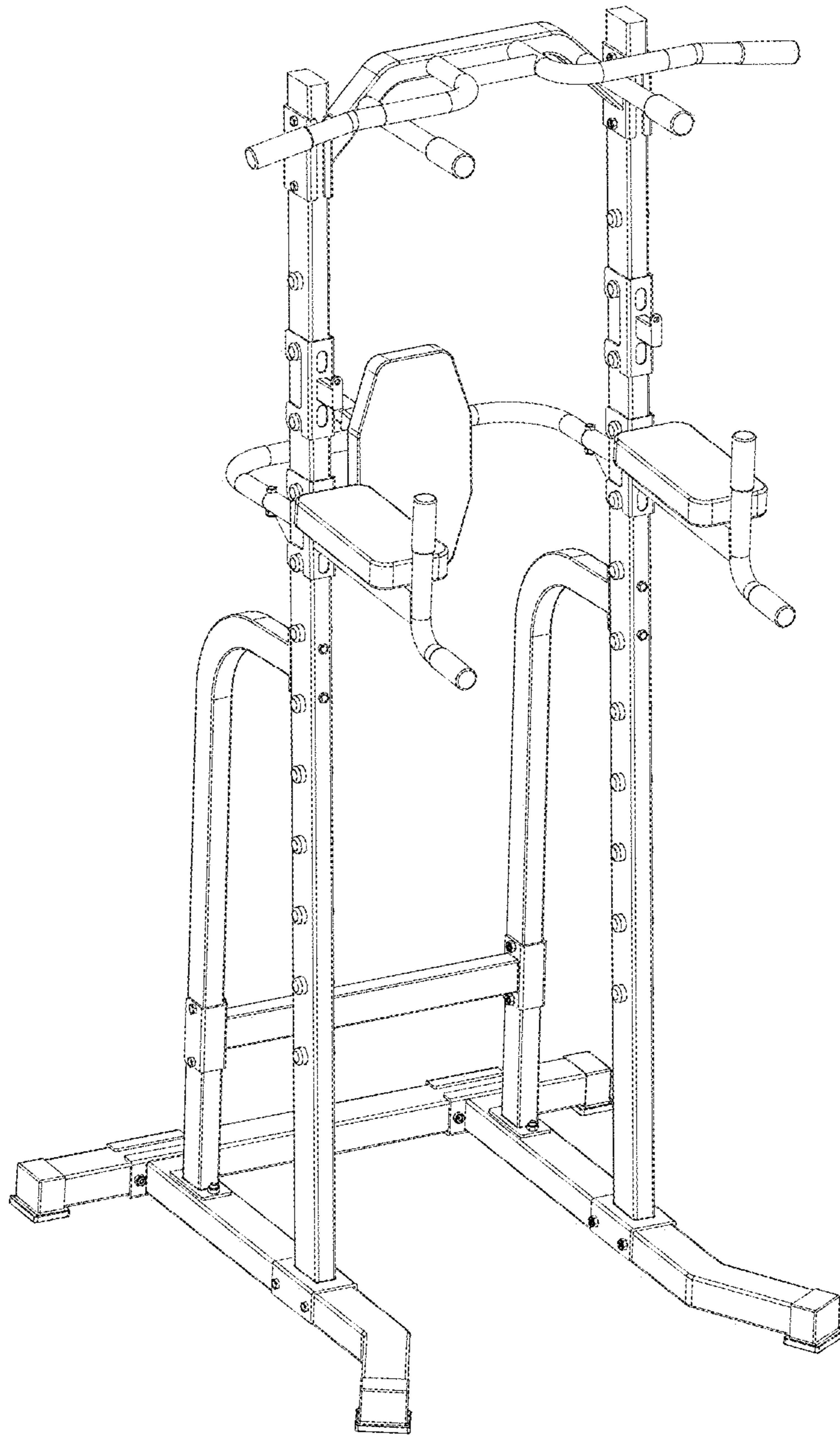


FIG. 7