



US00D936761S

(12) **United States Design Patent** (10) **Patent No.:** **US D936,761 S**
Jiang (45) **Date of Patent:** **** Nov. 23, 2021**

(54) **PULL UP BAR FOR DOORWAY**
(71) Applicant: **Mengqi Jiang**, Huaibei (CN)
(72) Inventor: **Mengqi Jiang**, Huaibei (CN)
(**) Term: **15 Years**

9,427,611 B1 * 8/2016 Balentine A63B 21/00047
9,452,308 B2 * 9/2016 Lentz A63B 21/1627
9,999,802 B2 * 6/2018 Kilmon A63B 21/1618
D850,543 S 6/2019 Lau
D854,635 S 7/2019 Dunahay
D863,467 S 10/2019 Weng
D868,910 S 12/2019 Huang
D892,948 S * 8/2020 Huang D21/679
(Continued)

(21) Appl. No.: **29/739,392**

(22) Filed: **Jun. 25, 2020**

(51) **LOC (13) Cl.** **21-02**

(52) **U.S. Cl.**
USPC **D21/679**

(58) **Field of Classification Search**
USPC D21/694, 691, 679, 681, 686; D6/681.1;
482/38, 40, 131, 140, 93, 97
CPC A63B 21/4035; A63B 21/4047; A63B
21/0628; A63B 23/0211; A63B 23/03525;
A63B 21/068; A63B 23/1218; A63B
23/1209; A63B 1/00

See application file for complete search history.

(56) **References Cited**

U.S. PATENT DOCUMENTS

4,458,894 A * 7/1984 Dudley A63B 1/00
482/40
D297,957 S * 10/1988 Gordon, III D21/691
5,180,350 A * 1/1993 Thomas A63B 1/00
482/138
D348,706 S * 7/1994 Harrell D21/691
5,417,628 A * 5/1995 Vanderbleek A63B 21/1636
482/40
6,179,748 B1 * 1/2001 Barr A63B 1/00
482/38
6,508,743 B1 * 1/2003 Fortin A63B 1/00
482/38
D623,707 S 9/2010 Ritchie
D626,187 S * 10/2010 Friedman D21/679
D633,156 S * 2/2011 Caswell D21/679
D633,961 S * 3/2011 Loew D21/679
D686,286 S * 7/2013 Orakwusi D21/679
9,114,273 B2 * 8/2015 Kehoe A63B 21/00047

OTHER PUBLICATIONS

Shamrock by Shamrock dated Dec. 10, 2015. Found online [Sep. 24, 2020] https://www.amazon.com/Triple-Door-Ultimate-Doorway-Trainer/product-reviews/B0093T6R4C/ref=cm_cr_getr_d_paging_btm_next_33?ie=UTF8&reviewerType=all_reviews&sortBy=recent&pageNumber=33 (Year: 2015).*

(Continued)

Primary Examiner — Ryan Harvey
(74) *Attorney, Agent, or Firm* — Rumit Ranjit Kanakia

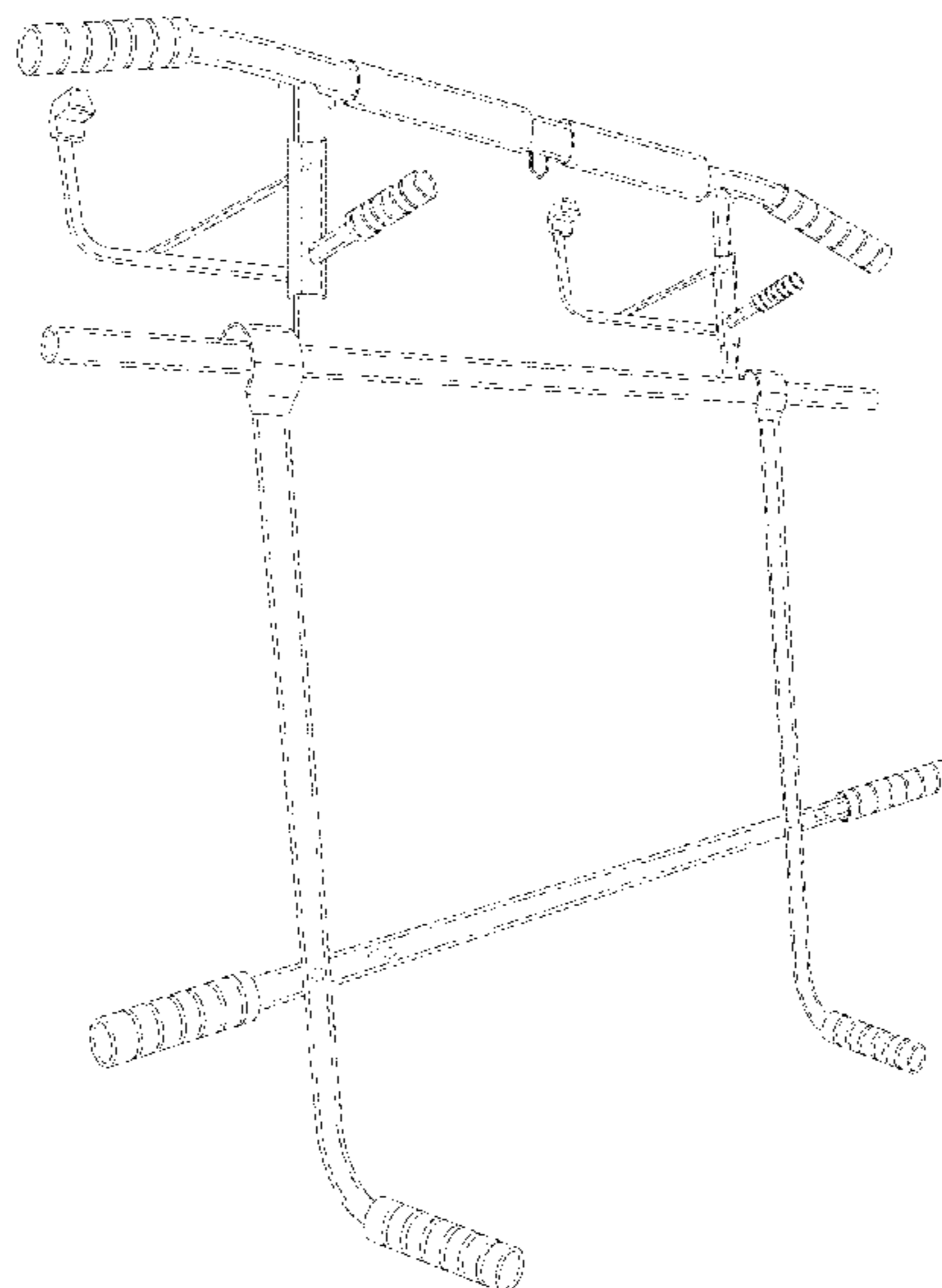
(57) **CLAIM**

I claim the ornamental design for a pull up bar for doorway, as shown and described.

DESCRIPTION

FIG. 1 is a Perspective view of a pull up bar for doorway showing my new design;
FIG. 2 is a Front view of the pull up bar for doorway shown in an exemplary environment;
FIG. 3 is a Front view of the pull up bar for doorway as shown in FIG. 1;
FIG. 4 is a Back view thereof;
FIG. 5 is a Right-side view thereof;
FIG. 6 is a Left-side view thereof;
FIG. 7 is a Top view thereof; and,
FIG. 8 is a Bottom thereof.
The broken lines are for the purpose of illustrating portions of the article that form no part of the claim.

1 Claim, 7 Drawing Sheets



(56)

References Cited

U.S. PATENT DOCUMENTS

2005/0250619 A1* 11/2005 Daikeler A63B 21/1645
482/40
2010/0234193 A1* 9/2010 Friedman A63B 21/00047
482/133
2011/0245040 A1* 10/2011 Skipper A63B 21/1636
482/38
2012/0046150 A1* 2/2012 Stacey A63B 21/00047
482/131
2012/0094808 A1* 4/2012 Leier A63B 21/00047
482/40
2012/0115683 A1* 5/2012 Ross A63B 21/169
482/38
2013/0178338 A1* 7/2013 Ross A63B 21/1645
482/40
2013/0225373 A1* 8/2013 Poat A63B 23/1218
482/40
2013/0244836 A1* 9/2013 Maughan A63B 21/068
482/40
2014/0302968 A1* 10/2014 Velikin A63B 1/00
482/40
2016/0166874 A1* 6/2016 Sheeler A63B 21/068
482/40
2018/0085622 A1* 3/2018 Ivan A63B 1/00

OTHER PUBLICATIONS

Ikon by Ikon fitness dated Jun. 27, 2019. Found online [Sep. 24, 2020] https://www.amazon.com/Ikonfitness-Ultimate-Doorway-Trainer-Original/dp/B07Q3QWW3X/ref=sr_1_48?dchild=1&keywords=doorway+pull+up&qid=1599763373&sr=8-48 (Year: 2019).*

Estleys by Estleys dated Jan. 16, 2020. Found online [Sep. 24, 2020] https://www.amazon.com/Estelys-Multi-Gym-Pull-Up-Doorway-Drilling/product-reviews/B088BMG1W6/ref=cm_cr_getr_d_paging_btm_next_6?ie=UTF8&reviewerType=all_reviews&sortBy=recent&pageNumber=6 (Year: 2020).*

Docilaso by Docilaso dated Jan. 28, 2020. Found online [Sep. 24, 2020] https://www.amazon.com/Docilaso-Multi-Gym-Chin-Up-Portable-Assemble/product-reviews/B07YGMRXMQ/ref=cm_cr_getr_d_paging_btm_next_8?ie=UTF8&reviewerType=all_reviews&sortBy=recent&pageNumber=8 (Year: 2020).*

Bodyrox by Bodyrox dated Sep. 9, 2020. Found online [Sep. 24, 2020] https://www.amazon.com/Bodyrox-Doorway-Station-Attachment-Accessory/dp/B08BZ1264X/ref=sr_1_97?dchild=1&keywords=doorway+pull+up+handle&qid=1600295878&sr=8-97#customer-Reviews (Year: 2020).*

* cited by examiner

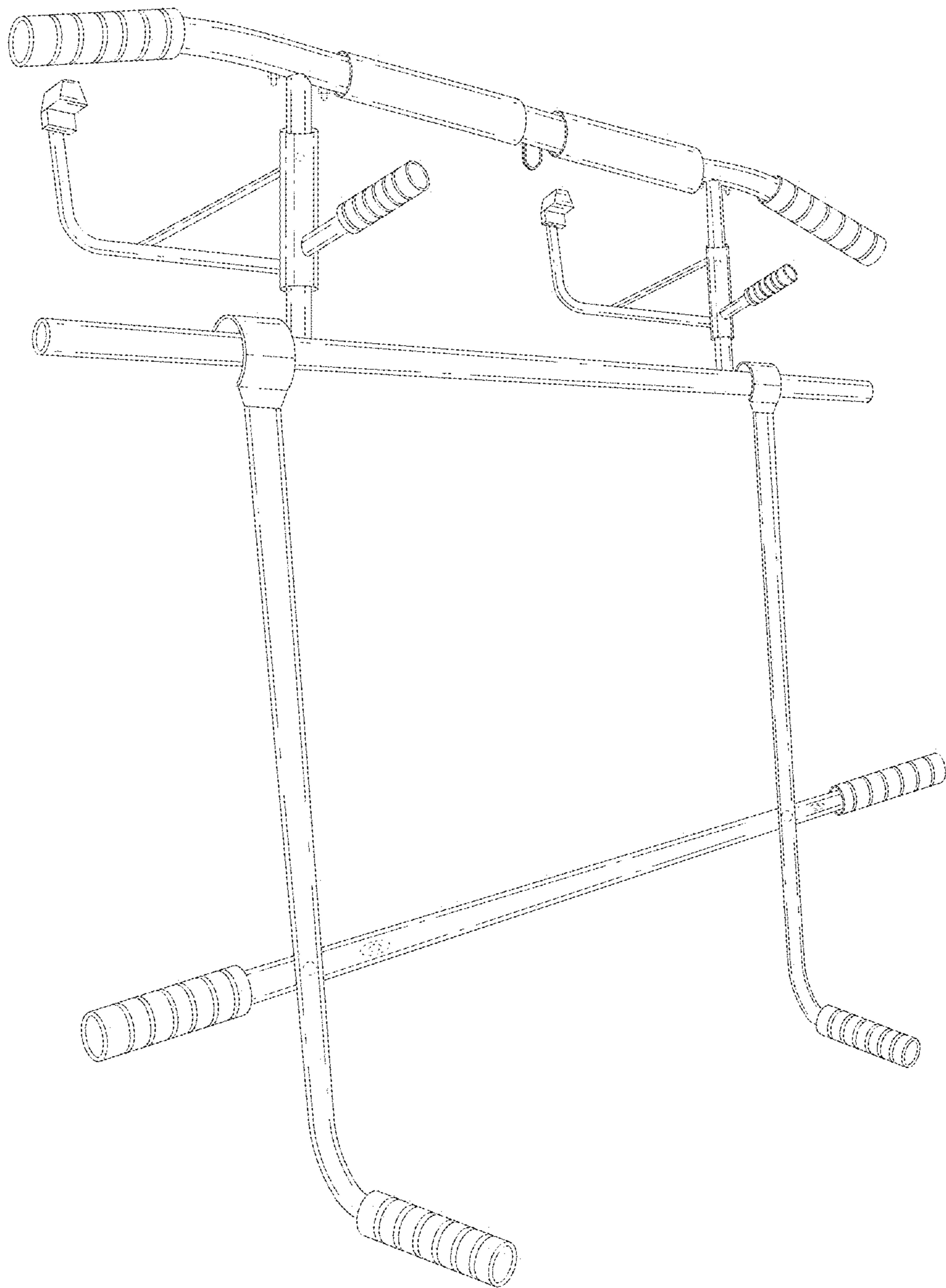


FIG. 1

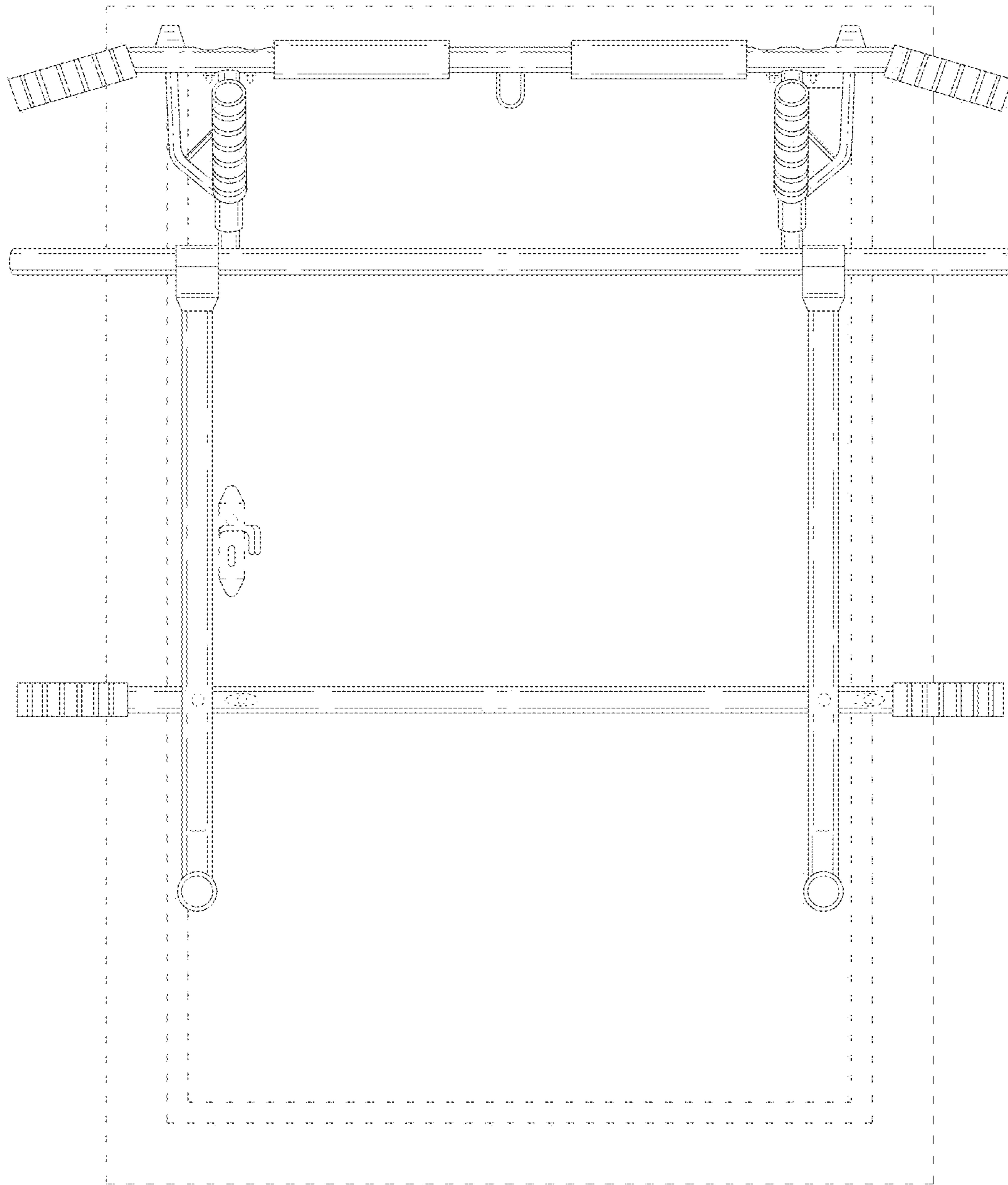


FIG. 2

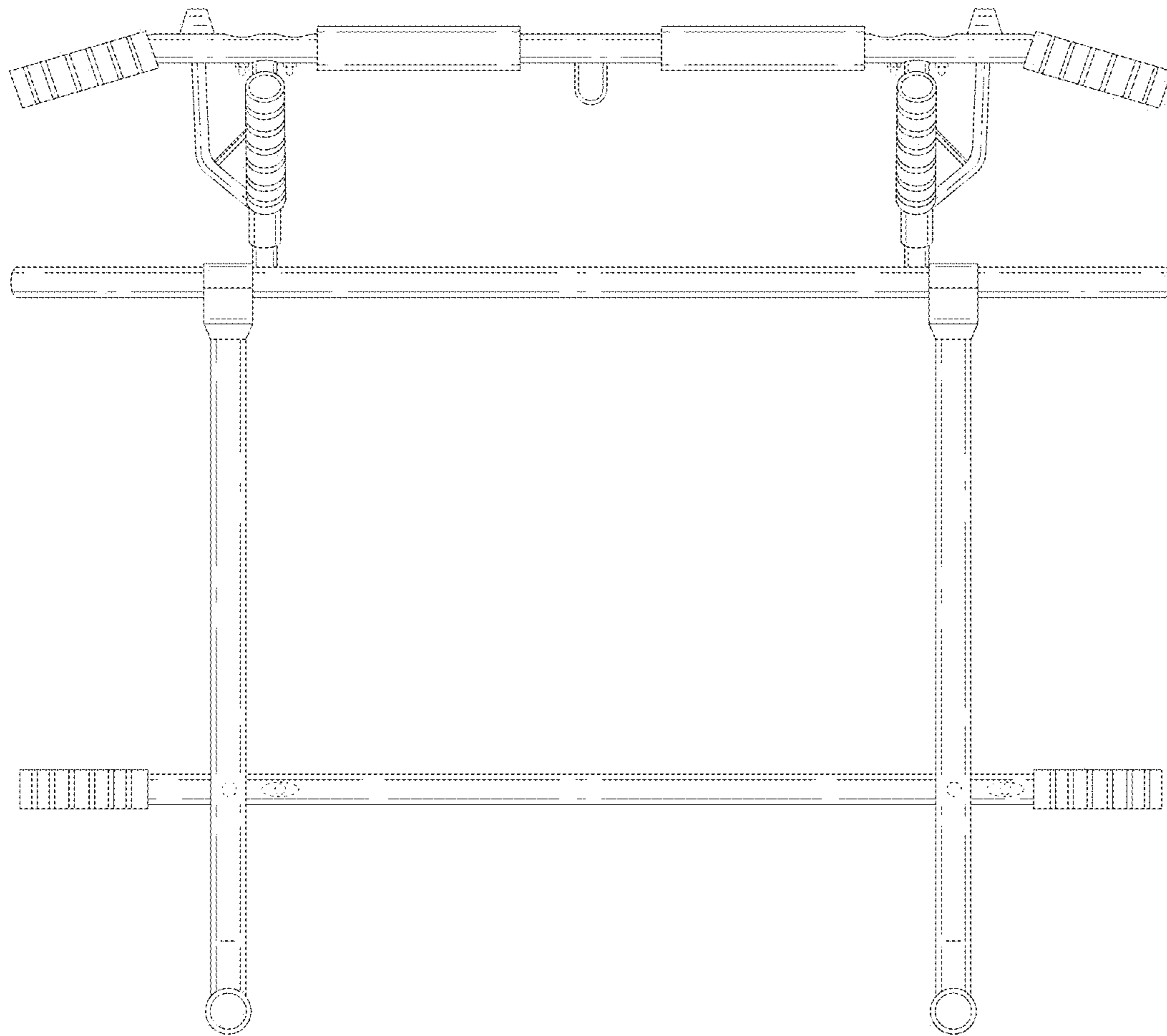


FIG. 3

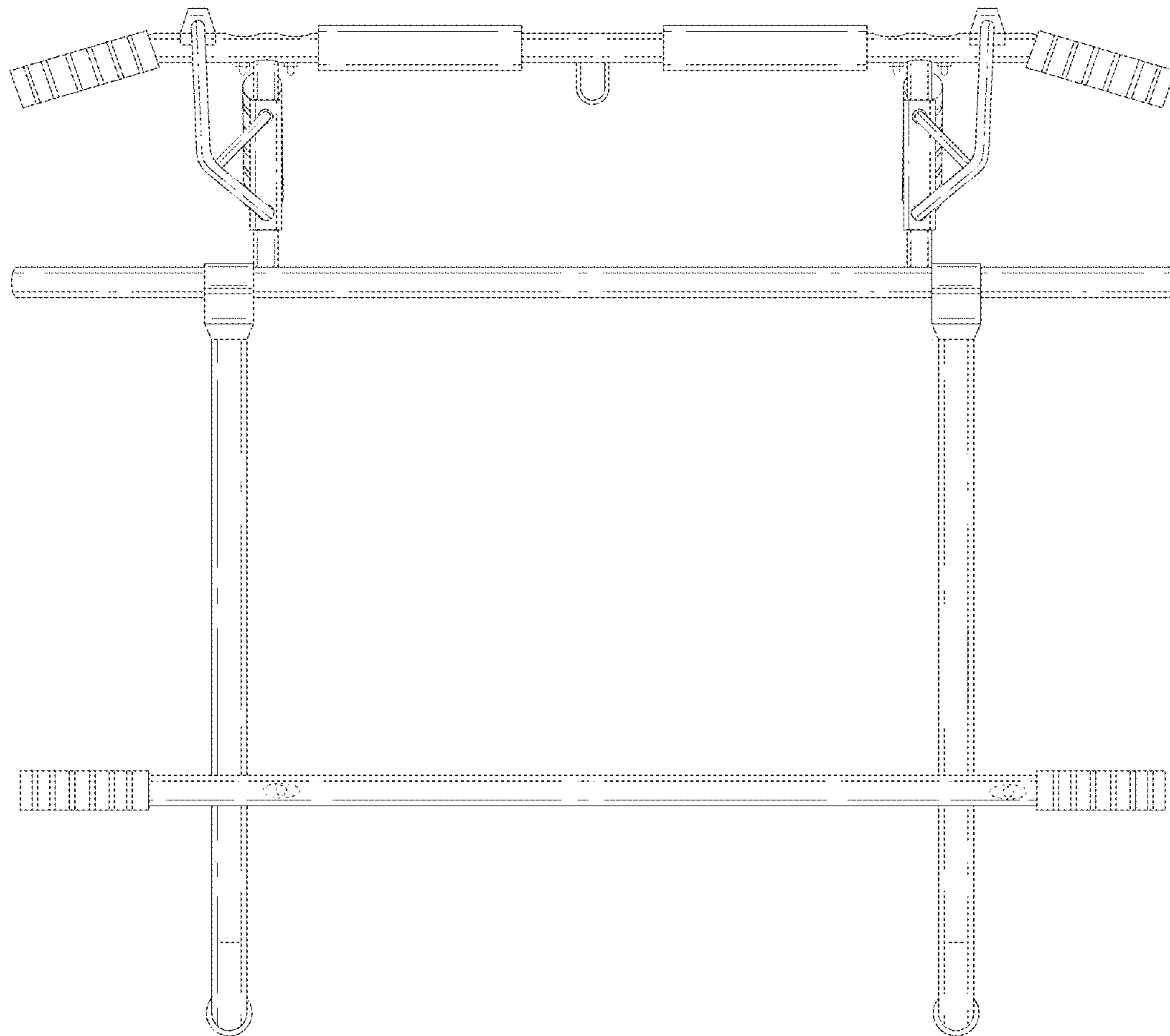


FIG. 4

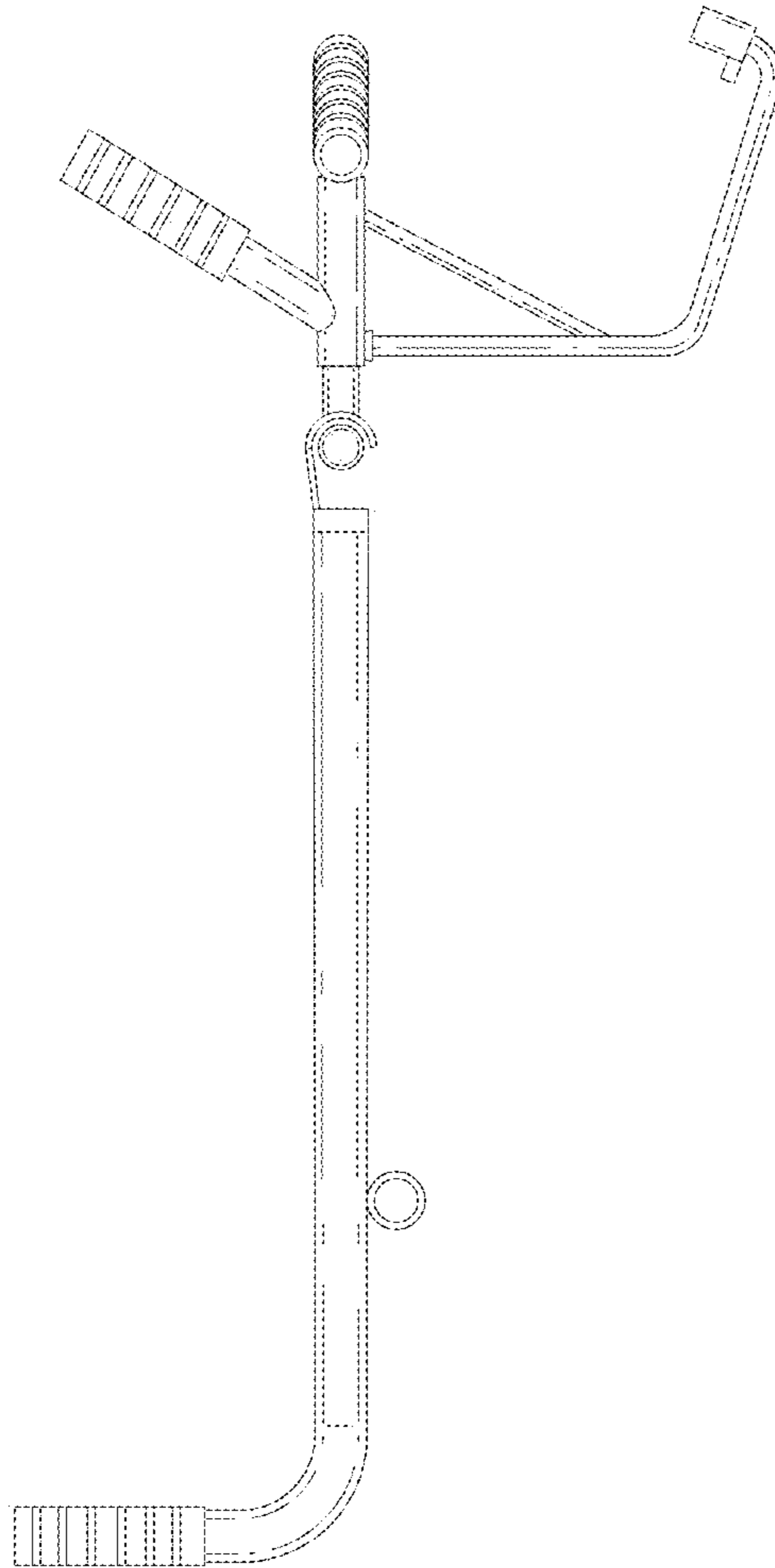


FIG. 5

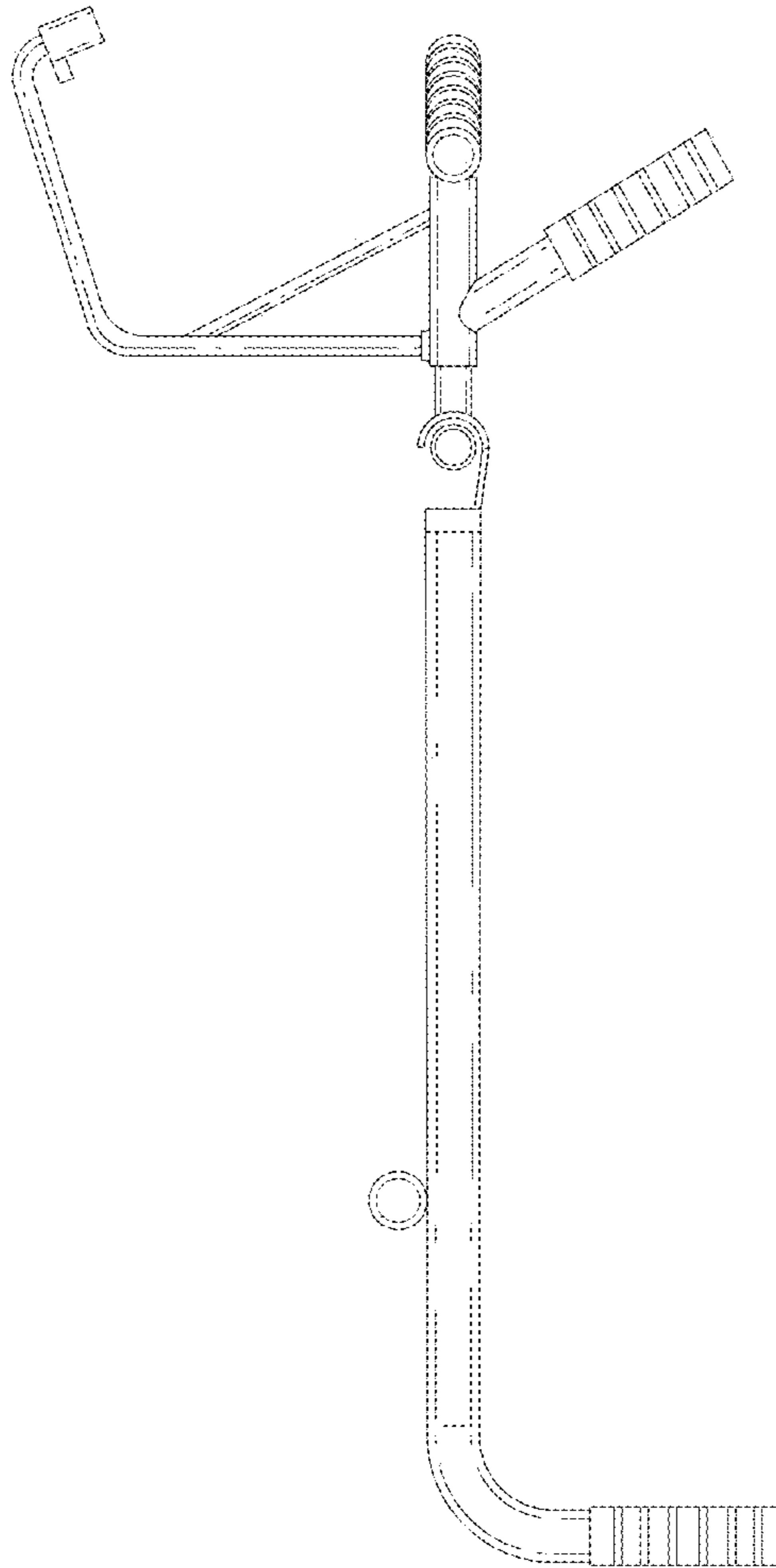


FIG. 6

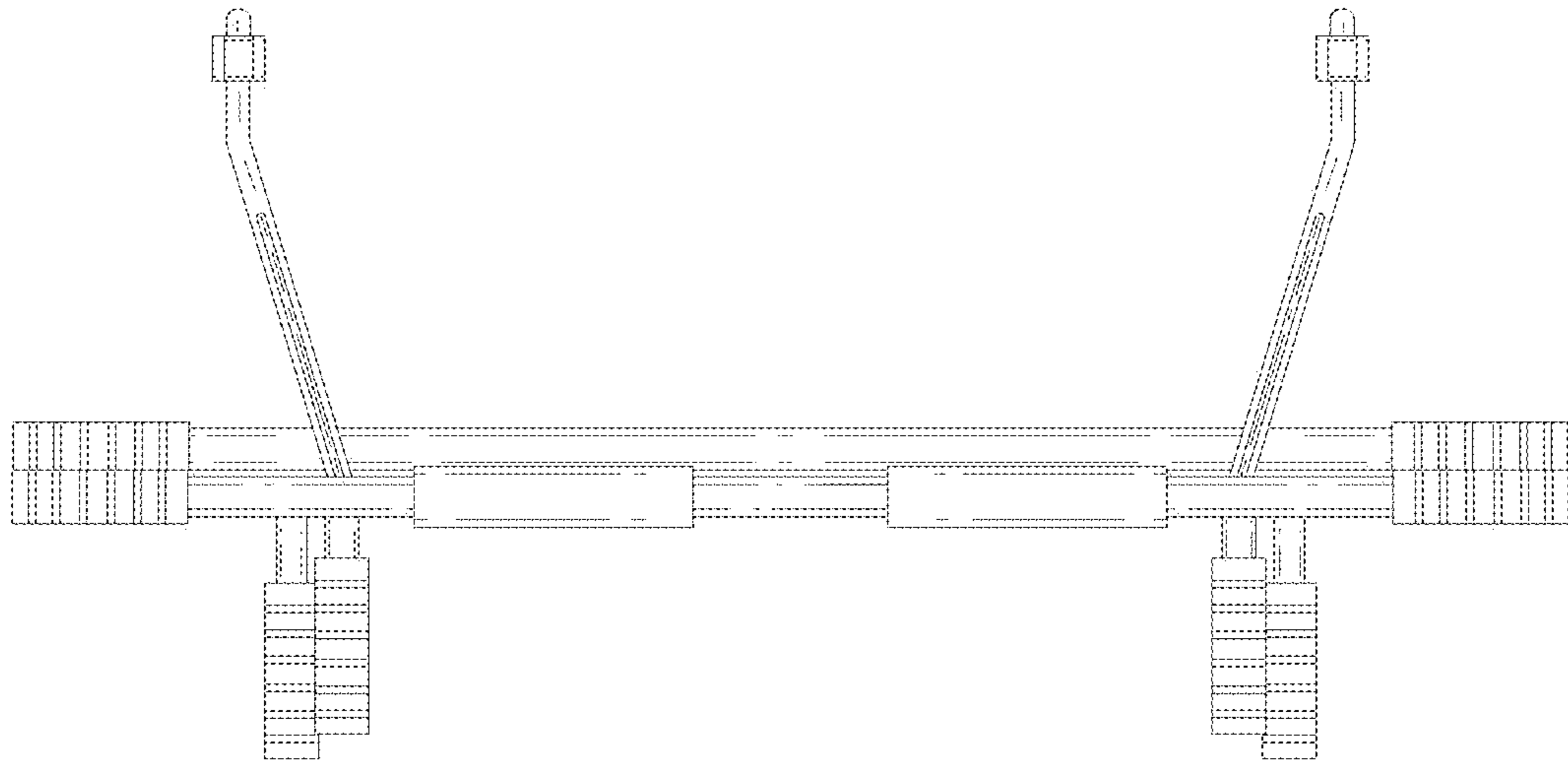


FIG. 7

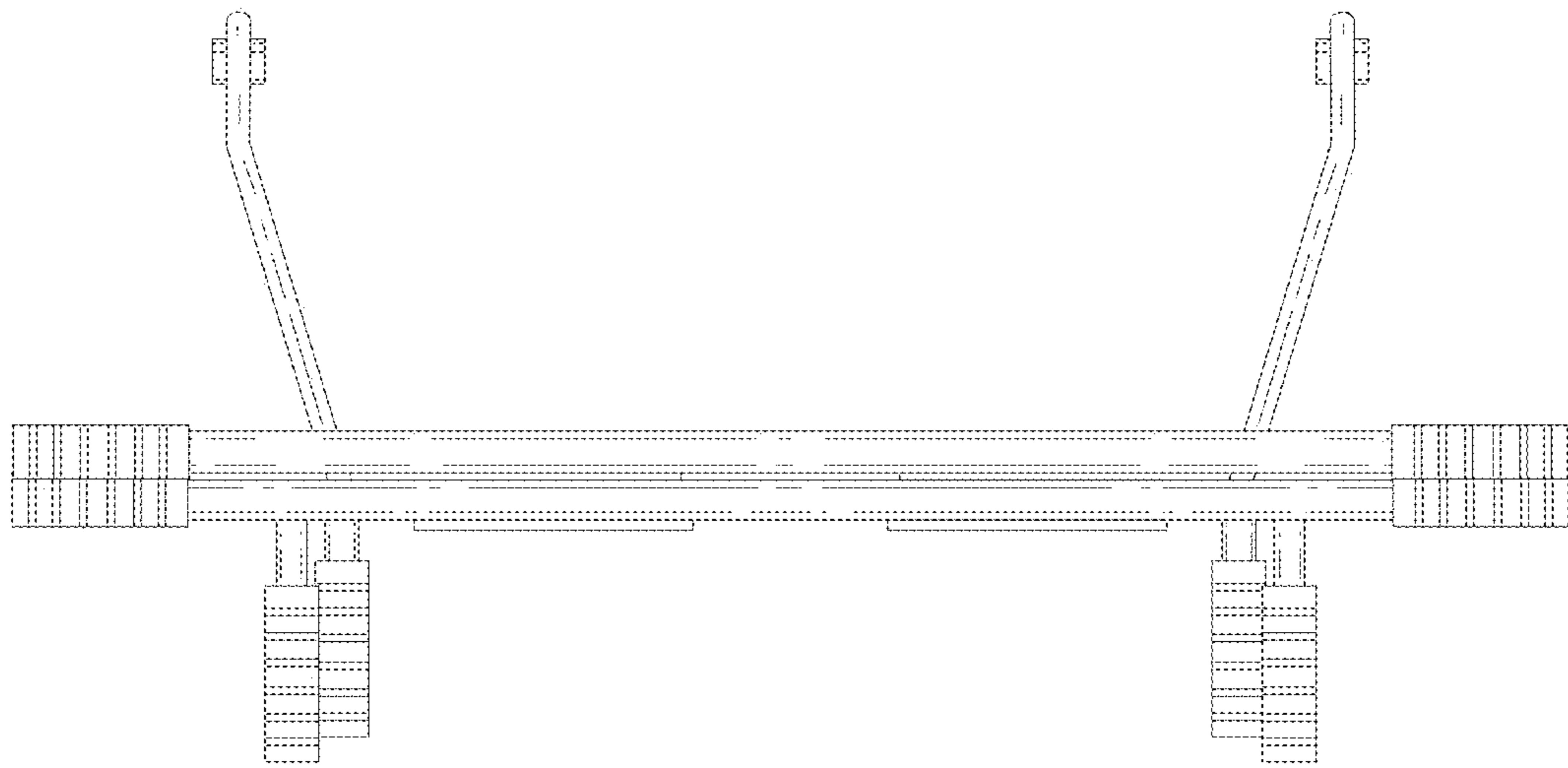


FIG. 8