



US00D936760S

(12) **United States Design Patent** (10) **Patent No.:** **US D936,760 S**
Sun (45) **Date of Patent:** **** Nov. 23, 2021**

(54) **EXERCISE BIKE**

(71) Applicant: **Ben Sun**, Zhejiang Province (CN)

(72) Inventor: **Ben Sun**, Zhejiang Province (CN)

(**) Term: **15 Years**

(21) Appl. No.: **29/732,399**

(22) Filed: **Apr. 23, 2020**

(51) **LOC (13) Cl.** **21-02**

(52) **U.S. Cl.**
USPC **D21/663**

(58) **Field of Classification Search**
USPC D21/663, 662, 694, 697; D12/111
CPC A63B 71/0622; A63B 2225/50; A63B
22/0605

See application file for complete search history.

(56) **References Cited**

U.S. PATENT DOCUMENTS

D625,762 S *	10/2010	Fon	D21/667
D636,449 S *	4/2011	Wu	D21/667
D675,687 S *	2/2013	Fischer	D21/663
D676,508 S *	2/2013	Wu	D21/667
D677,350 S *	3/2013	Goldberg	D21/667
D677,746 S *	3/2013	Baudhuin	D21/667
D797,213 S *	9/2017	Golesh	D21/663
D836,733 S *	12/2018	Curbbun	D21/667
D860,339 S *	9/2019	Sun	D21/667
D874,584 S *	2/2020	Alessandri	D21/663
D909,497 S *	2/2021	Goldberg	D21/667
2015/0238808 A1 *	8/2015	Lin	A63B 22/0023 482/57
2020/0147450 A1 *	5/2020	Wu	A63B 21/015

FOREIGN PATENT DOCUMENTS

EM	860499	A1 *	1/2008
EM	1269096	A1 *	4/2011
EM	4729192	A1 *	2/2018

OTHER PUBLICATIONS

Cyclace, Exercise Bike Stationary, first available Dec. 3, 2020, walmart.com [online], [site visited Jul. 21, 2021], Available from internet URL: <https://bit.ly/3kltweL> (Year: 2020).*

Yosuda Indoor Cycling Bike Stationary, first available Mar. 13, 2019, amazon.com [online], [site visited Jul. 21, 2021], Available from internet URL: <https://www.amazon.com/YOSUDA-Indoor-Cycling-Bike-Stationary/dp/B07D528W98> (Year: 2019).*

(Continued)

Primary Examiner — Janice Patyk

Assistant Examiner — Salamah Jordan

(74) *Attorney, Agent, or Firm* — ScienBiziP, P.C.

(57) **CLAIM**

The ornamental design for an exercise bike, as shown and described.

DESCRIPTION

FIG. 1 is a right side, front perspective view of an exercise bike, showing my new design.

FIG. 2 is a right side, bottom perspective view thereof.

FIG. 3 is a front elevation view thereof.

FIG. 4 is a rear elevation view thereof.

FIG. 5 is a left side elevation view thereof.

FIG. 6 is a right side elevation view thereof.

FIG. 7 is a top plan view thereof.

FIG. 8 is a bottom plan view thereof.

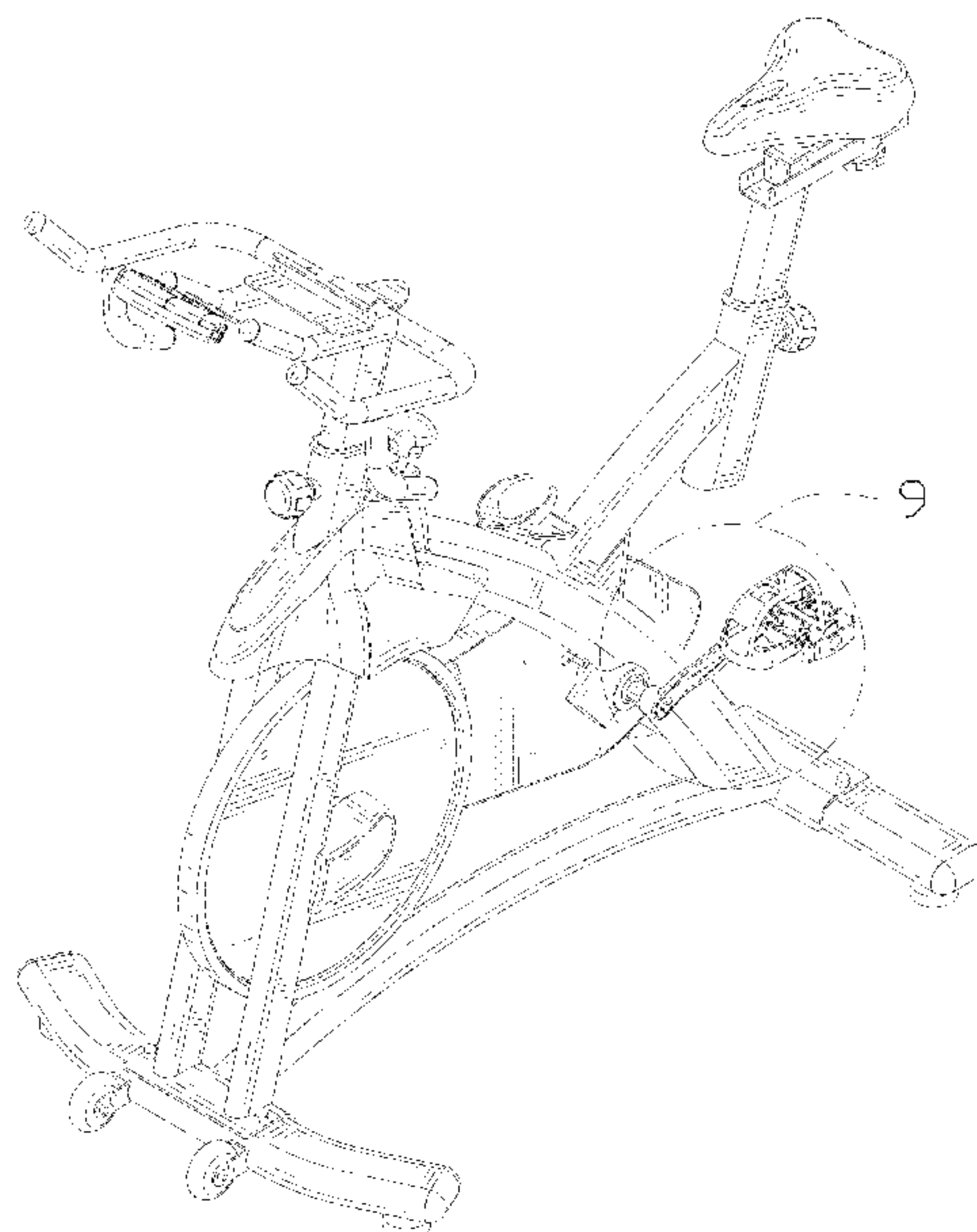
FIG. 9 is a partially enlarged view thereof, taken from FIG. 1.

FIG. 10 is a partially enlarged view thereof, taken from FIG. 2; and,

FIG. 11 is a partially enlarged view thereof, taken from FIG. 4.

The broken lines in the figures illustrate the portions of the exercise bike that form no part of the claimed design.

1 Claim, 11 Drawing Sheets



(56)

References Cited

OTHER PUBLICATIONS

Yosuda Indoor Cycling Bike Stationary, first available Jul. 4, 2020, amazon.com [online], [site visited Jul. 21, 2021], Available from internet URL: <https://amzn.to/3kMdpNk> (Year: 2020).*

Pooboo Exercise Bike Stationary, first available Mar. 16, 2021, amazon.com [online], [site visited Jul. 21, 2021], Available from internet URL: <https://amzn.to/3eKRqT1> (Year: 2021).*

* cited by examiner

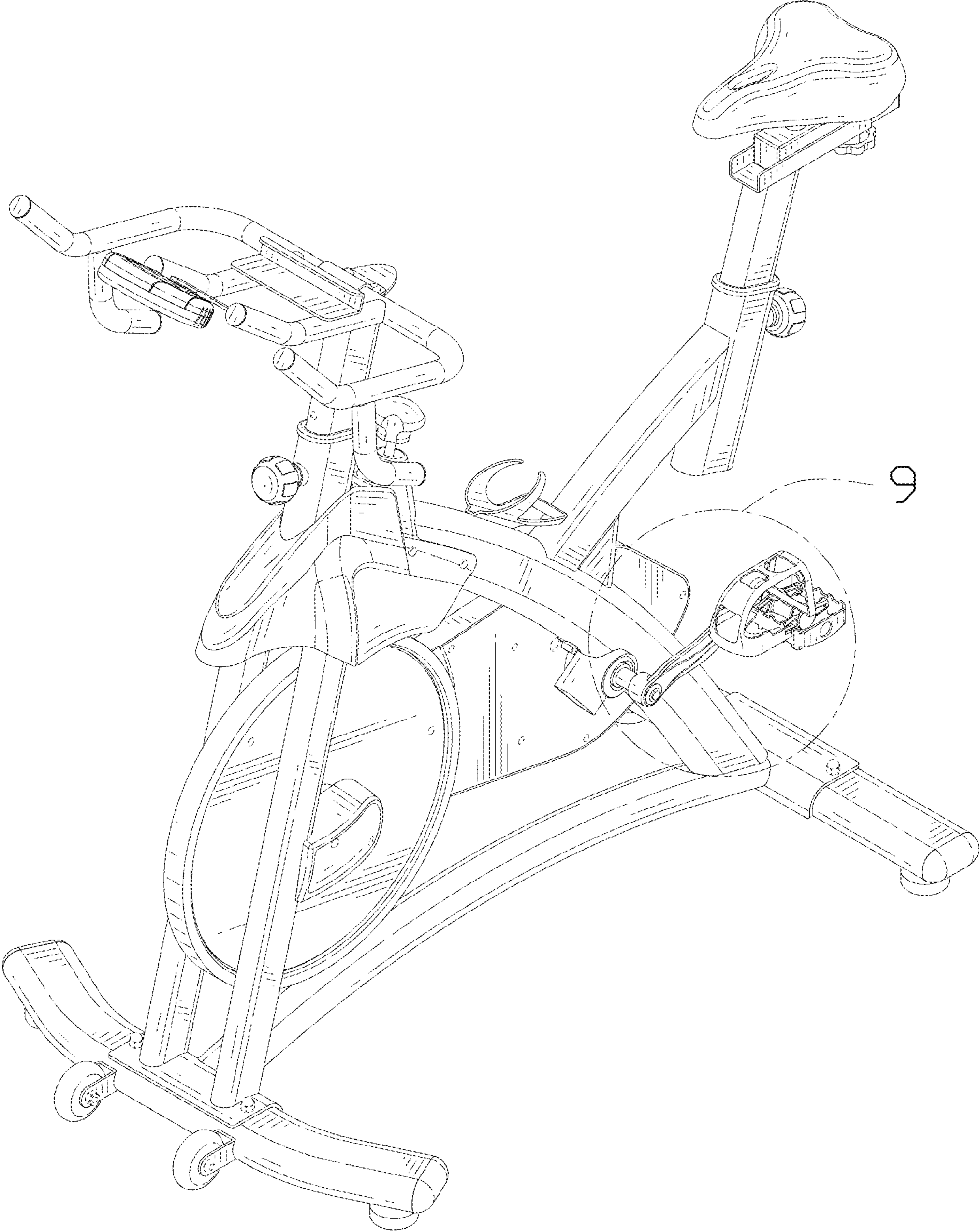


FIG. 1

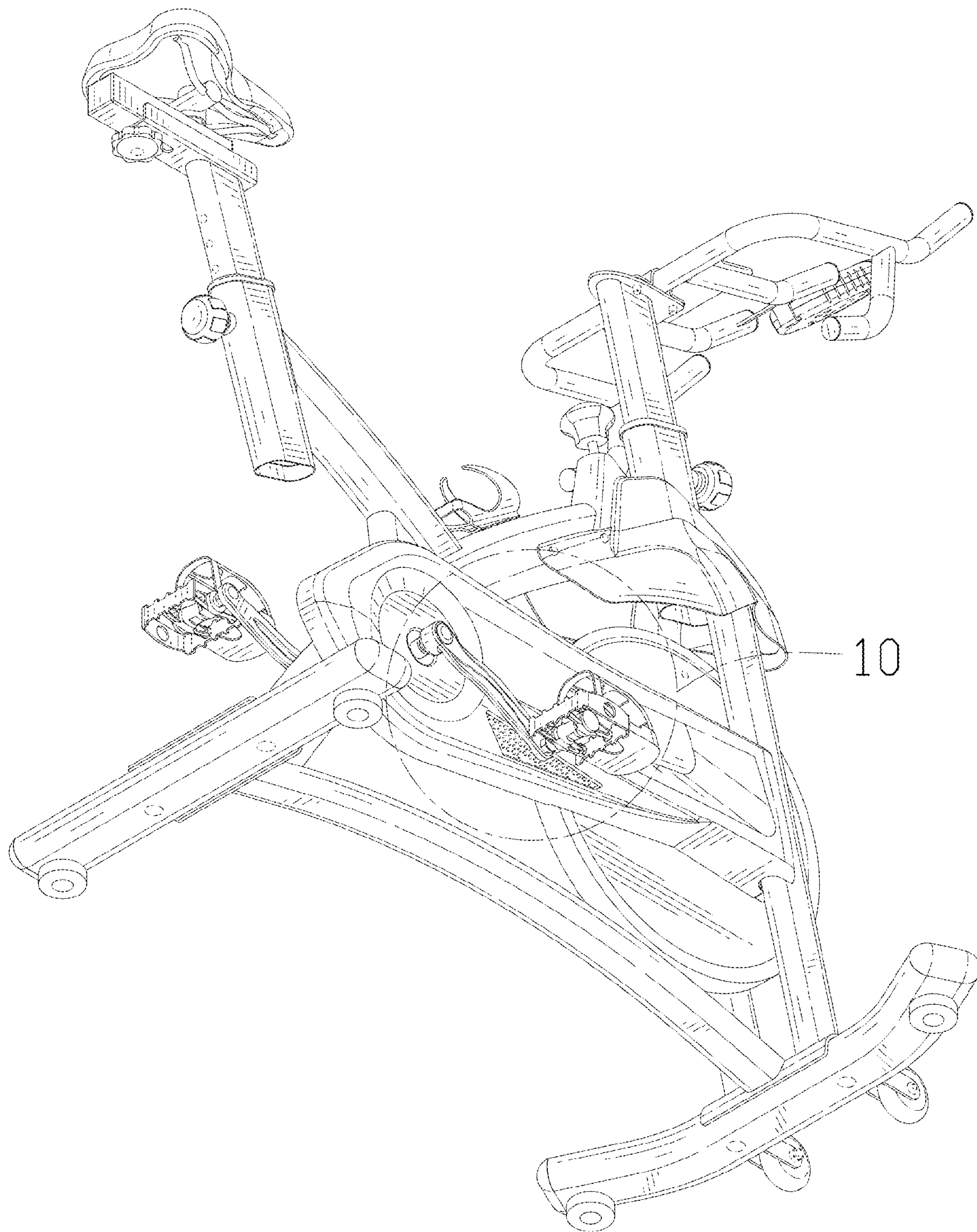


FIG. 2

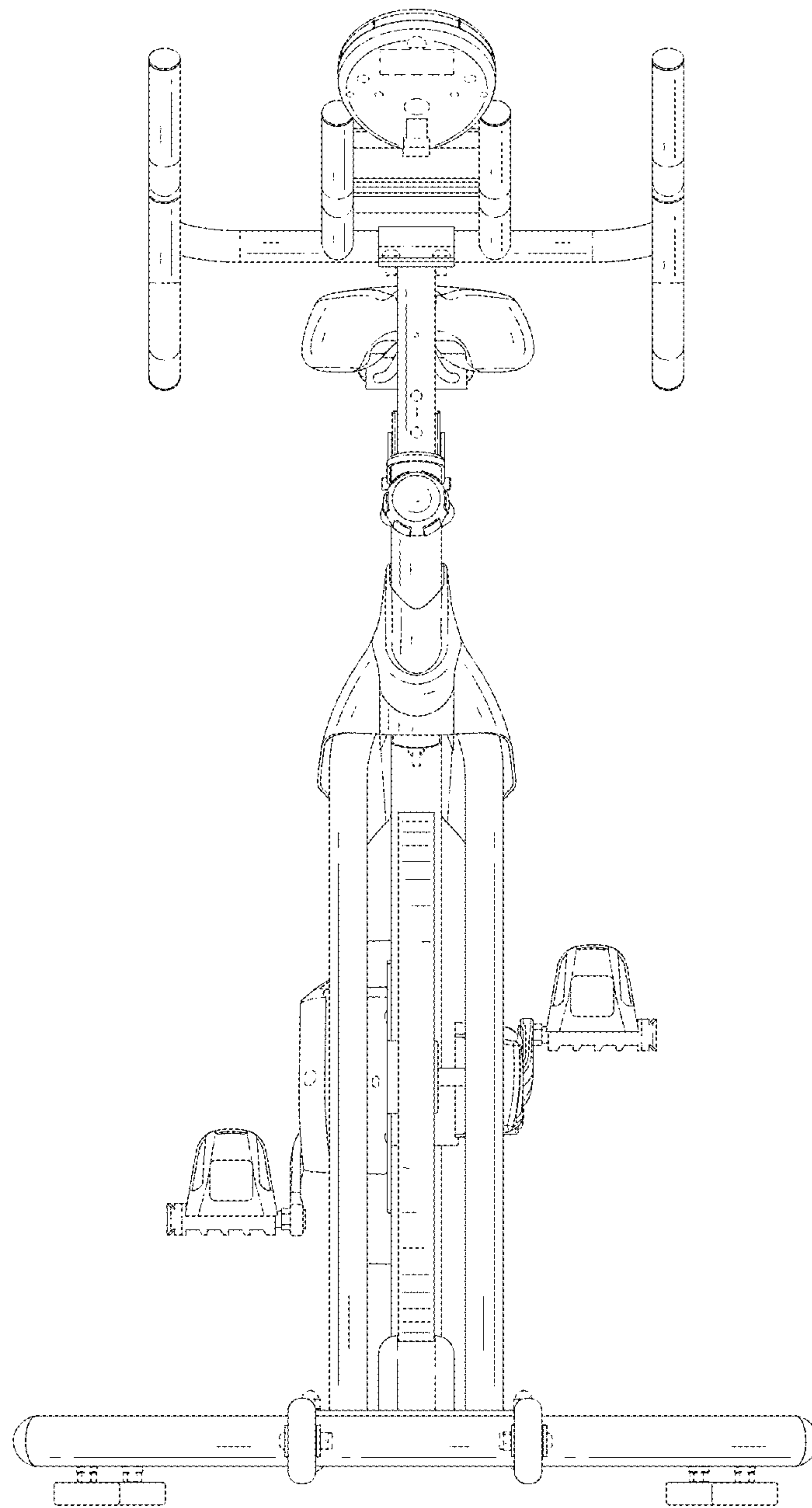


FIG. 3

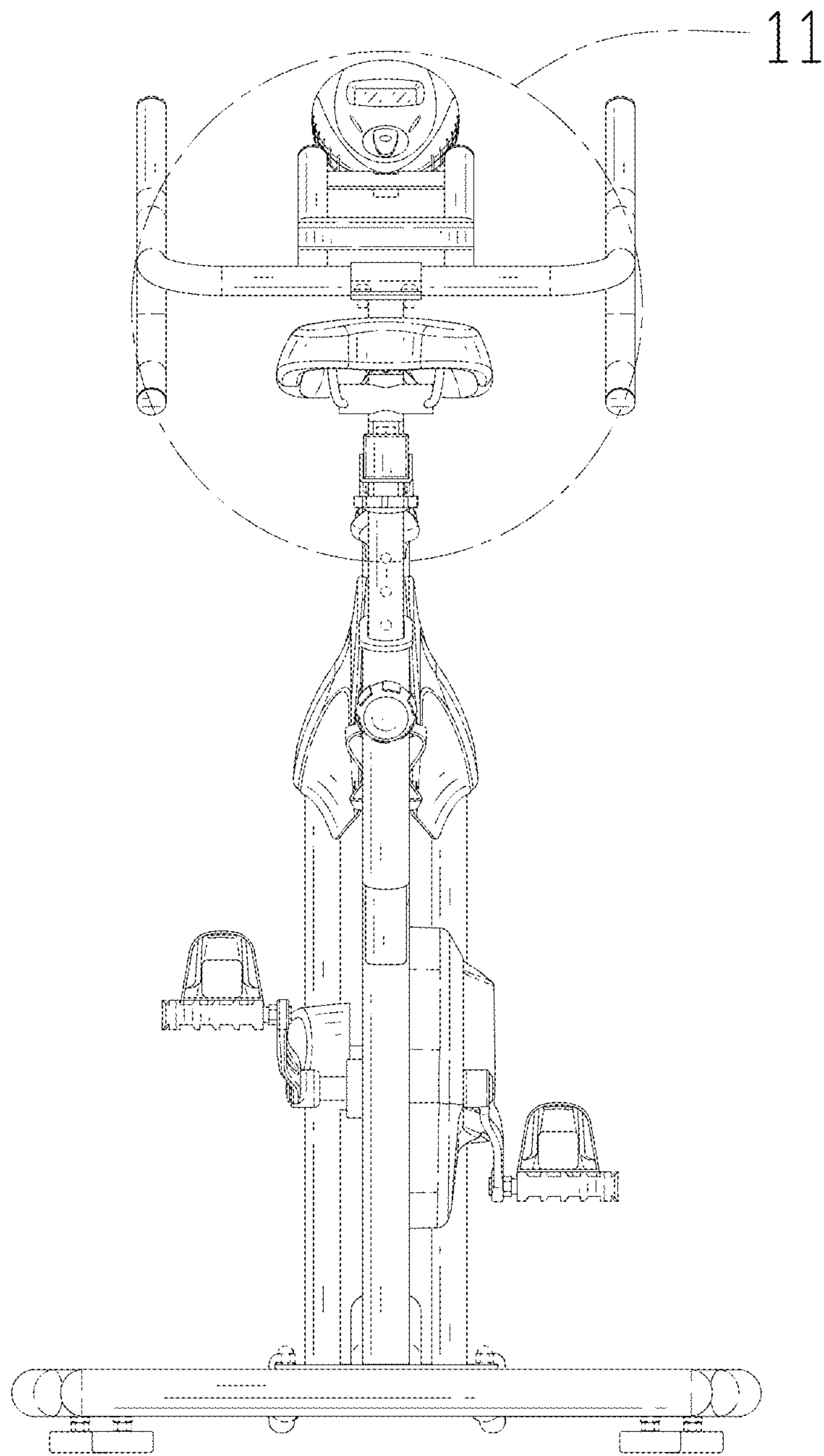


FIG. 4

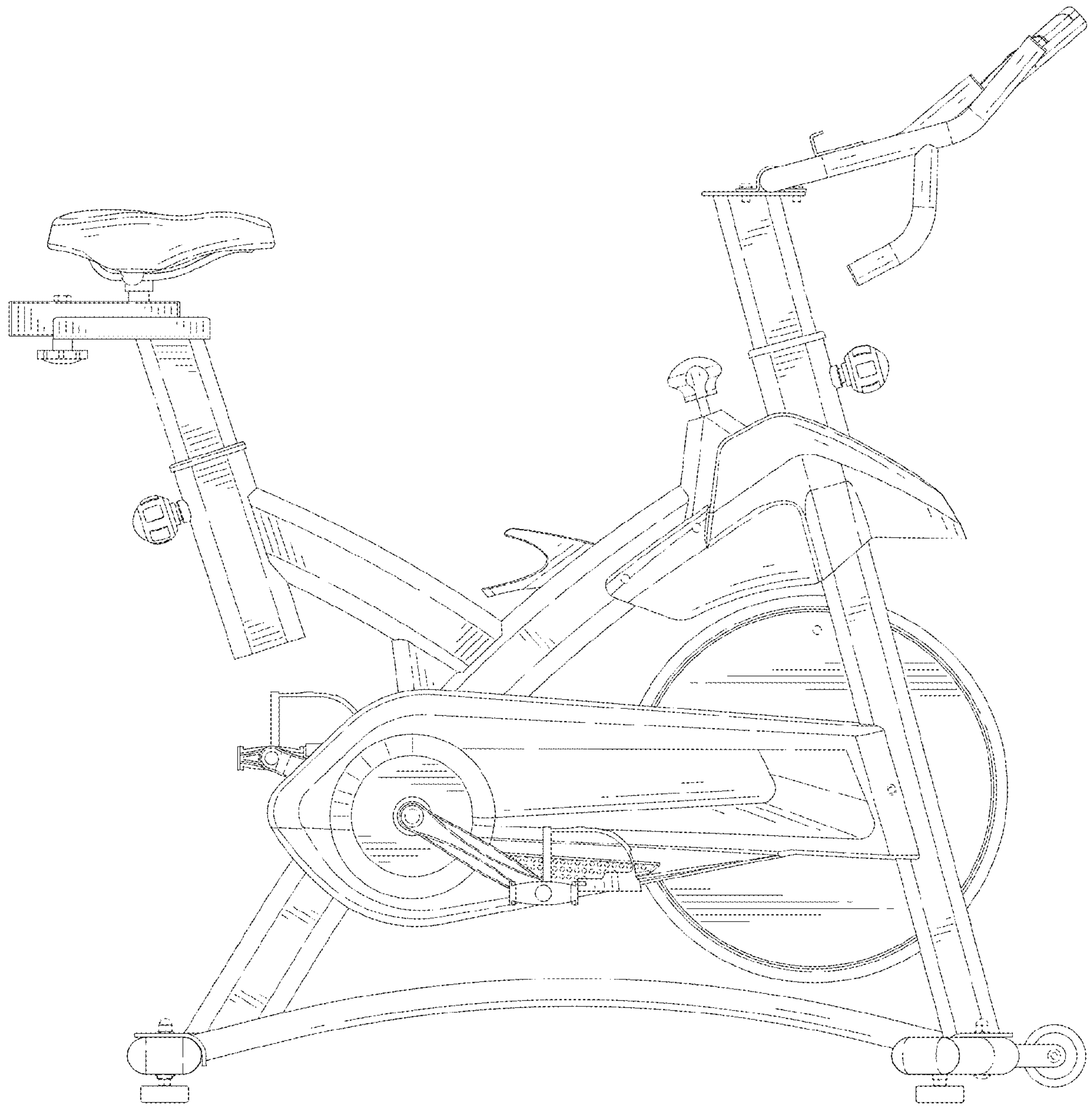


FIG. 5

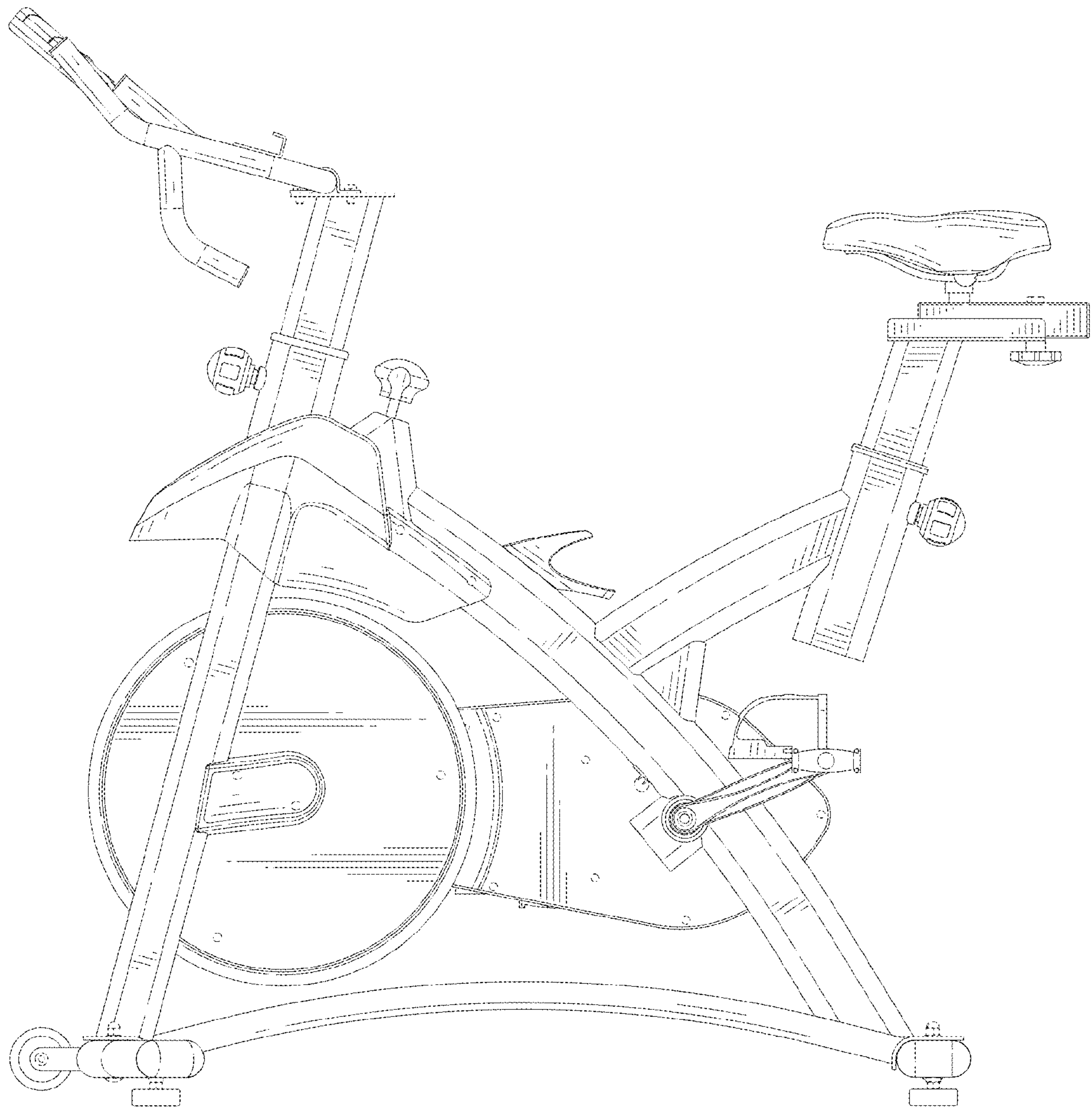


FIG. 6

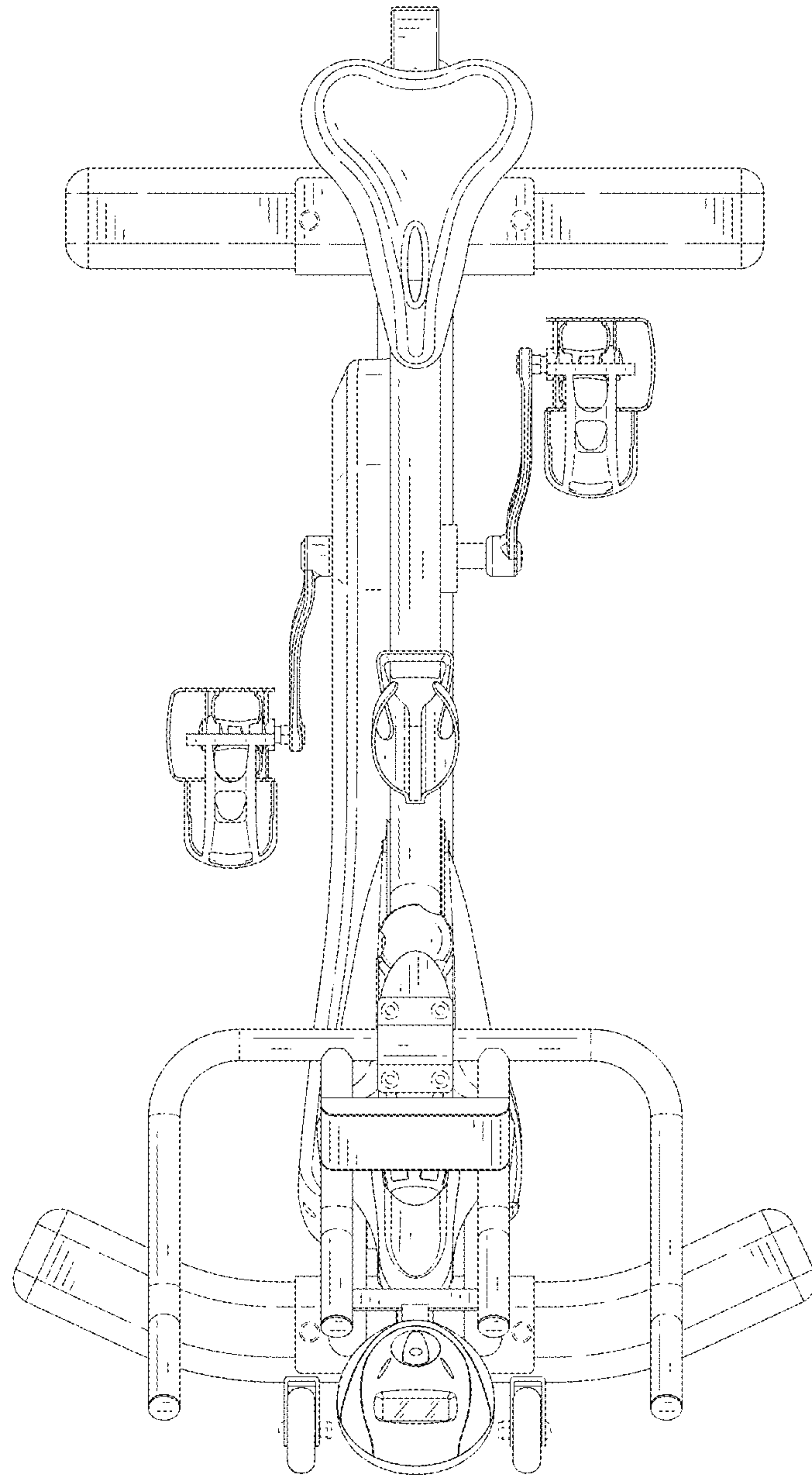


FIG. 7

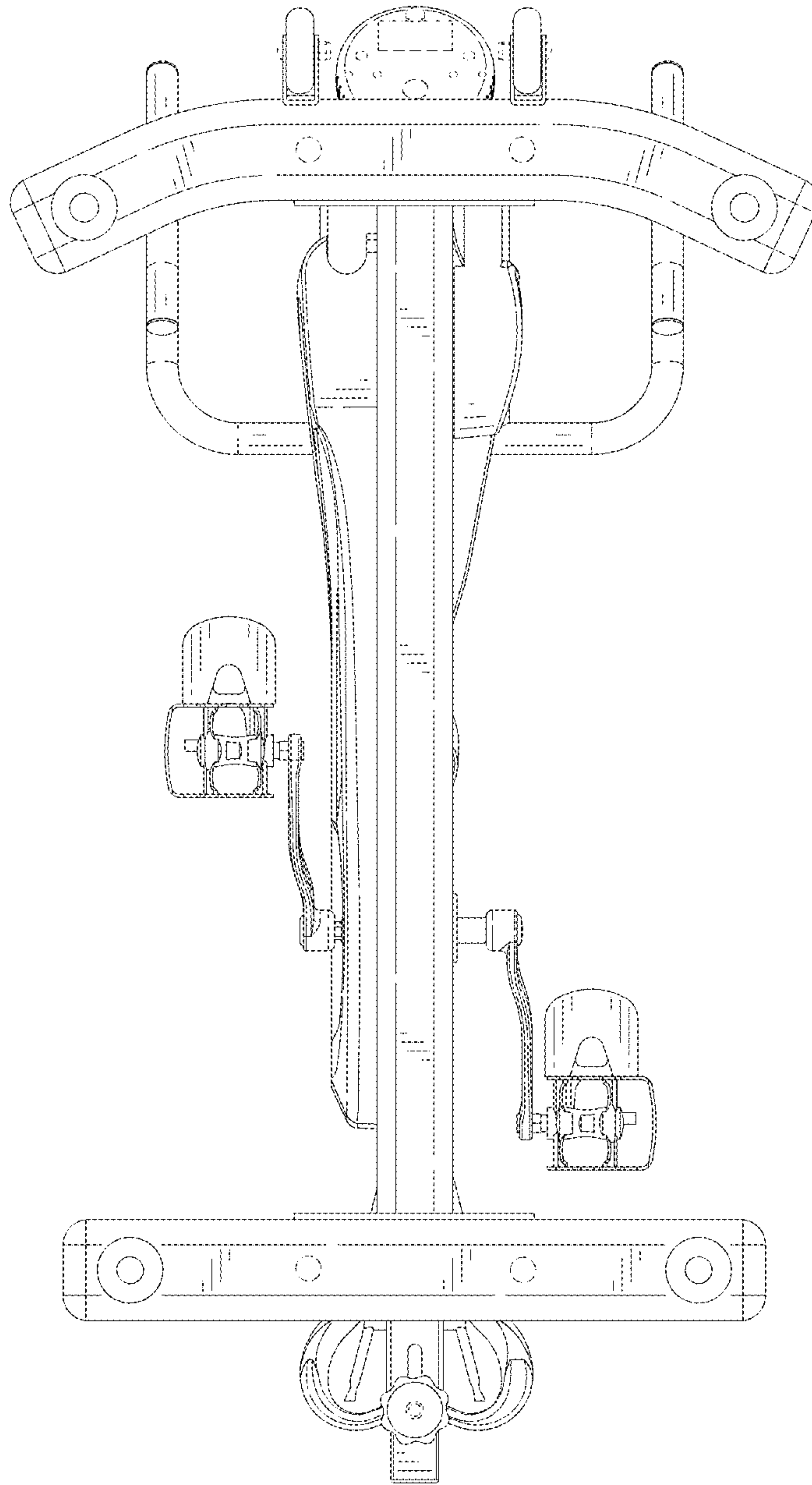


FIG. 8

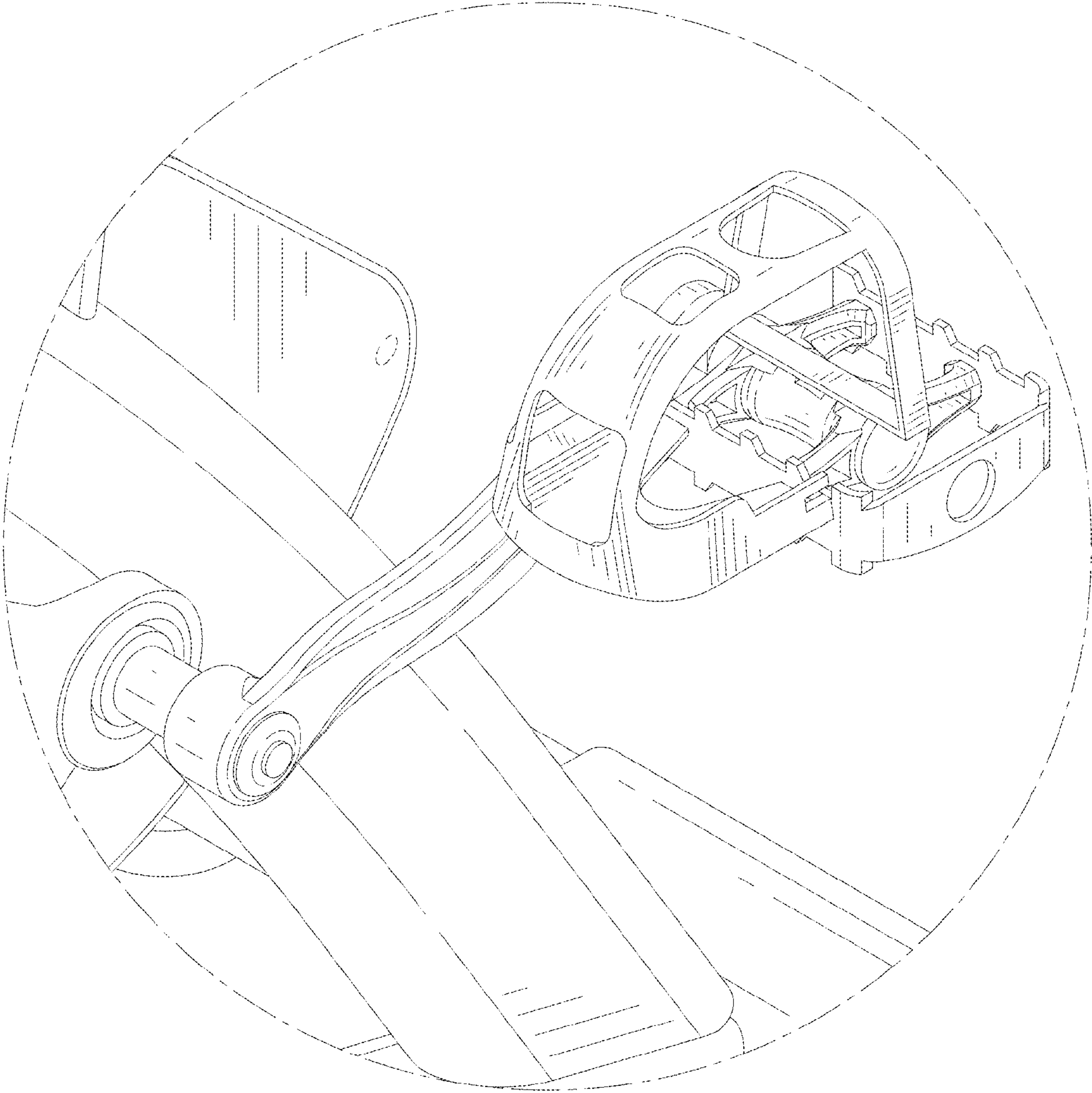


FIG. 9

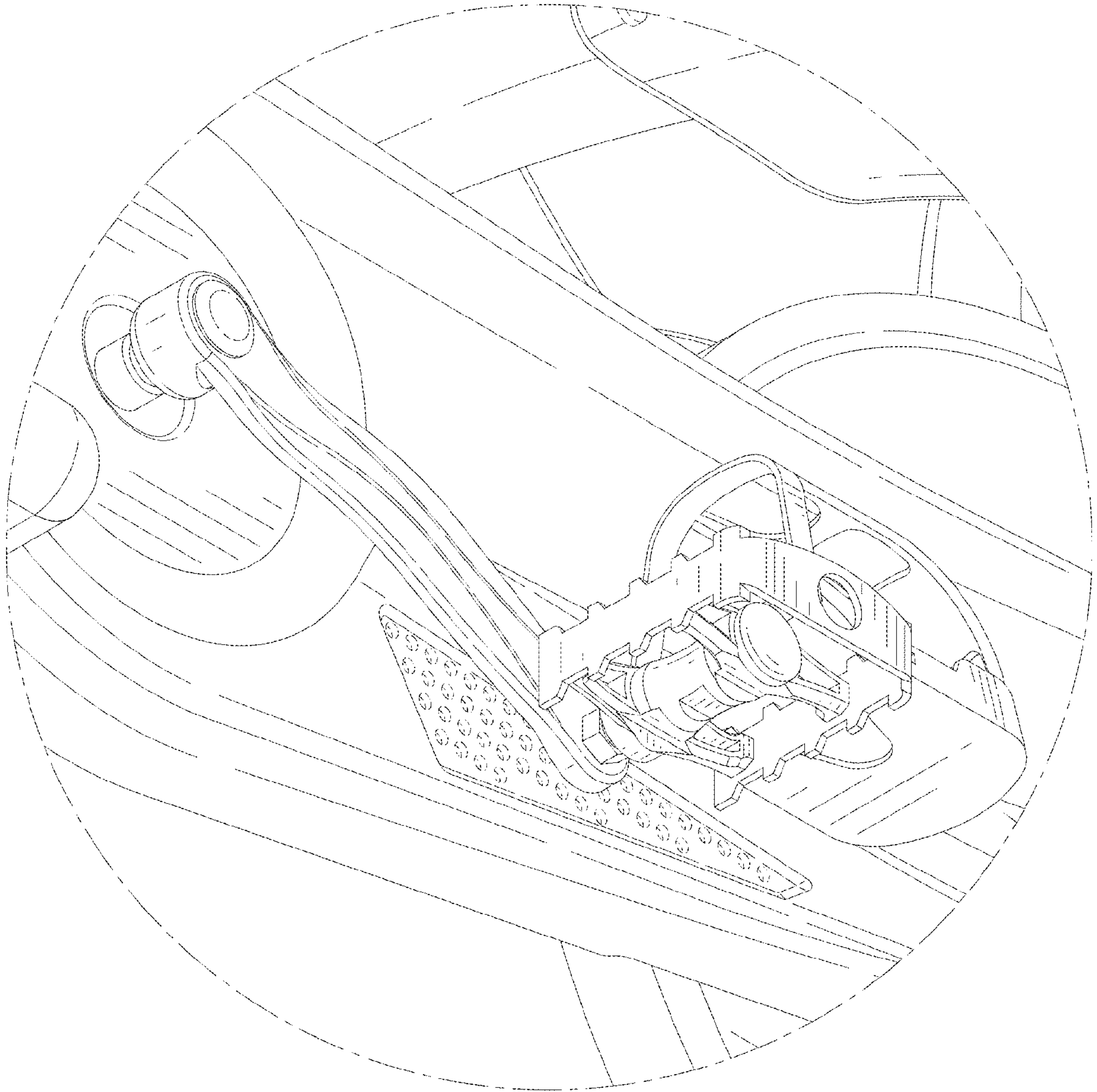


FIG. 10

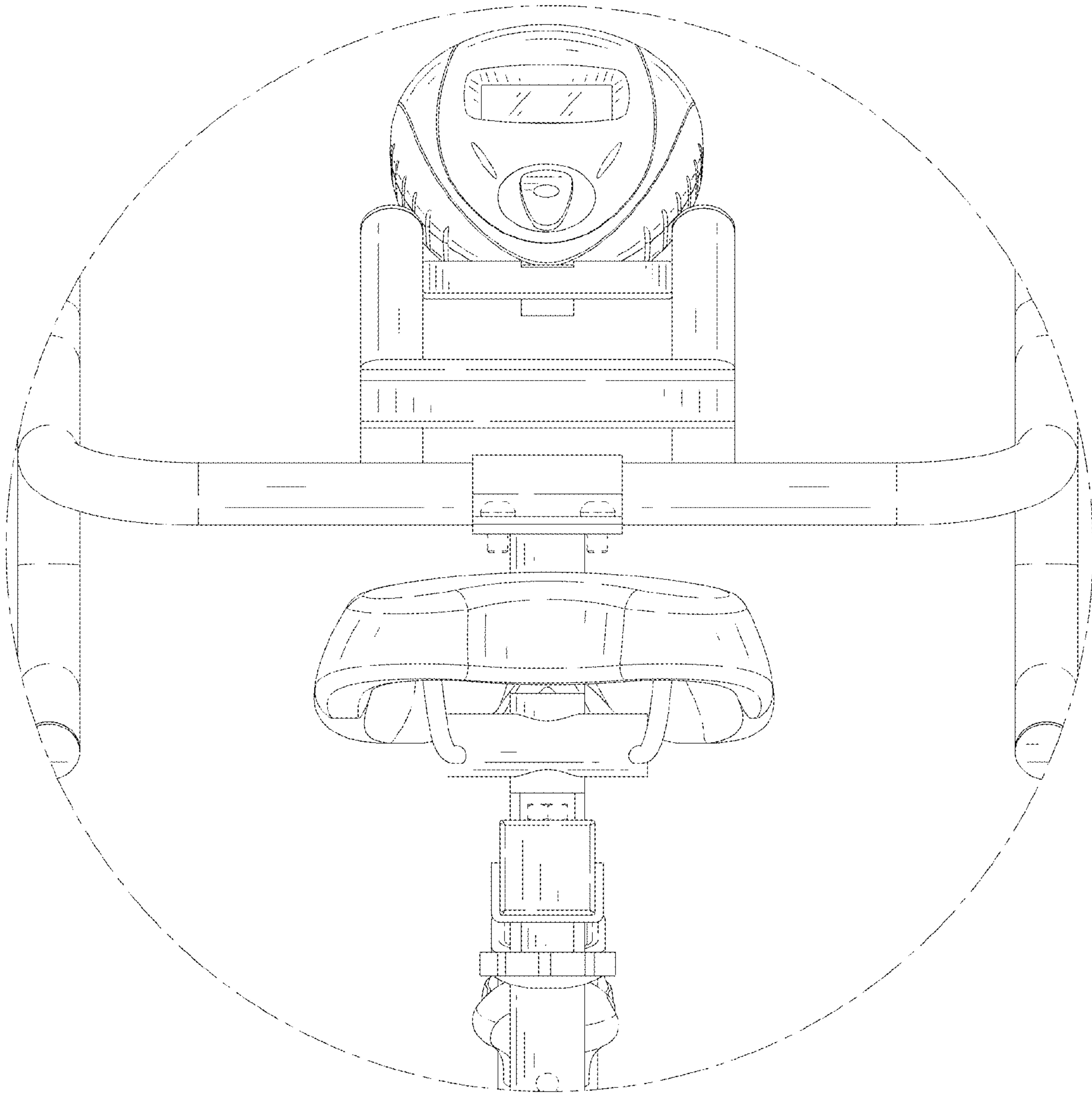


FIG. 11