



US00D936759S

(12) **United States Design Patent** (10) **Patent No.:** **US D936,759 S**
Sheta (45) **Date of Patent:** **** Nov. 23, 2021**

(54) **ABDOMINAL FLEXOR ASSIST DEVICE**

OTHER PUBLICATIONS

(71) Applicant: **Mostafa Sheta**, Henderson, NV (US)
(72) Inventor: **Mostafa Sheta**, Henderson, NV (US)
(**) Term: **15 Years**
(21) Appl. No.: **29/724,146**
(22) Filed: **Feb. 13, 2020**
(51) **LOC (13) Cl.** **21-02**
(52) **U.S. Cl.**
USPC **D21/662**
(58) **Field of Classification Search**
USPC D21/671, 686, 670, 685, 688, 689, 692,
D21/694, 703, 715, 765, 664, 697;
D25/62, 63, 64, 65
CPC . A63B 23/0211; A63B 69/0093; A63B 23/02;
A63C 19/10; A63C 2203/12
See application file for complete search history.

OC Ramps, announced 2010[online], [site visited May 7, 2021]. Available on internet, URL:https://www.amazon.com/OC-Ramps-4ft-Wide-Quarterpipe/dp/B004CJ0UZK/ref=sr_1_115?dchild=1&keywords=sports+ramp&qid=1620380057&s=sporting-goods&sr=1-115 (Year: 2010) b914-4430-a90b-72e3e7e784e0&pf_rd_r=ZKPGV3GM5M2Q595CMOAS&pd_rd_r=f6ee8e2b-5ff6-47ed-b578-fd34901b5d76&pd_rd_wg=oErJ2&pd_rd_i=B01KYCE45K&pssc=1 (Year: 2016).*
Ramptech, announced 2016 [online], [site visited May 7, 2021]. Available on internet, URL:https://www.amazon.com/Ramptech-Tall-Wide-QUARTERPIPE-Skateboard/dp/B01KYCE45K/ref=pd_di_sccai_22?pd_rd_w=fLiLP&pf_rd_p=c9443270- (Year: 2016).*

* cited by examiner

Primary Examiner — Khawaja Anwar
Assistant Examiner — Julice Seung Eun Oum
(74) *Attorney, Agent, or Firm* — Bayramoglu Law Offices LLC

(56) **References Cited**

(57) **CLAIM**

U.S. PATENT DOCUMENTS

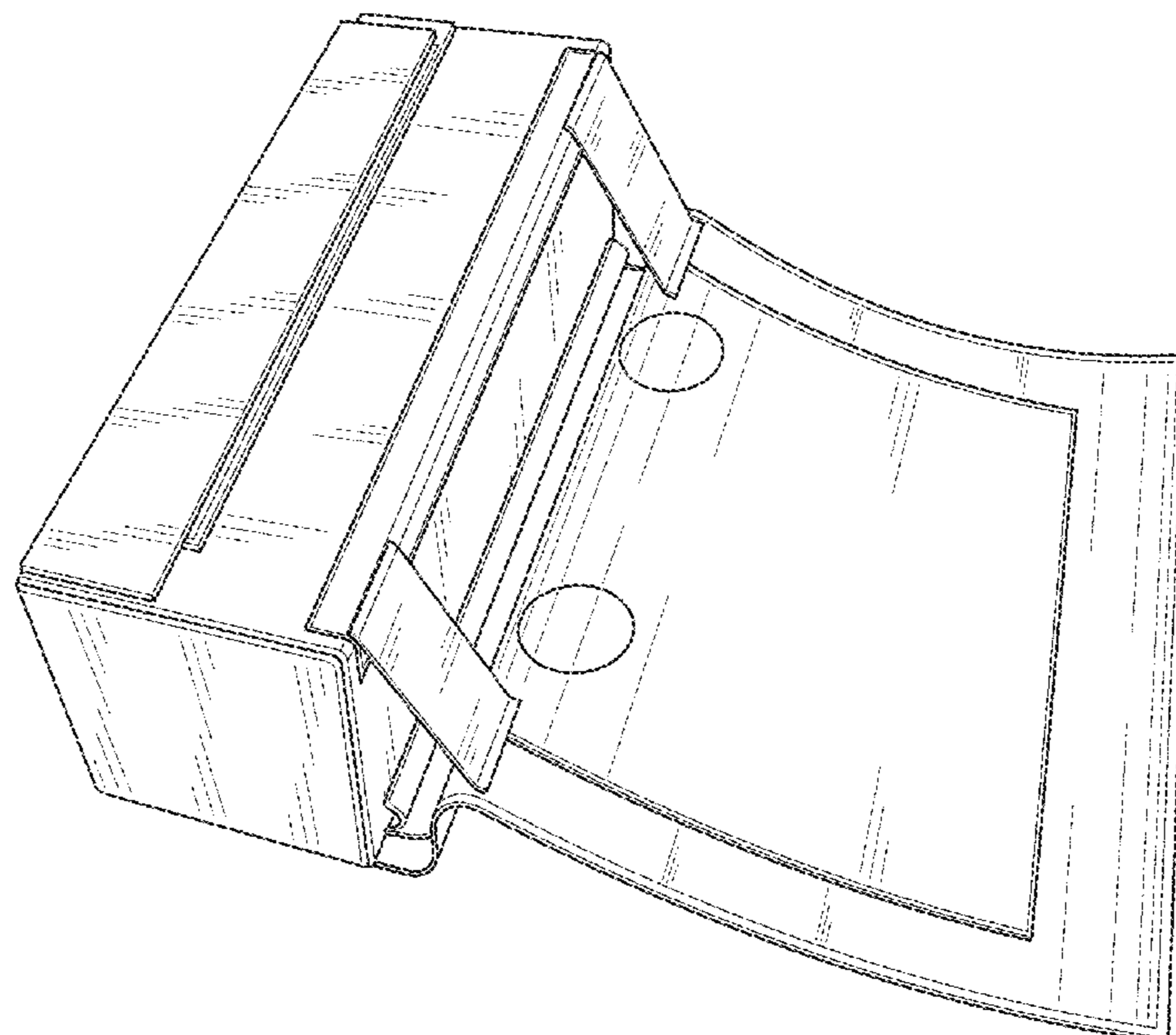
The ornamental design for an abdominal flexor assist device, as shown and described.

D257,874 S * 1/1981 Sheehan D21/817
9,017,237 B2 * 4/2015 Araujo A63B 23/0205
482/142
10,202,725 B1 * 2/2019 Chin E01C 13/003
D864,316 S * 10/2019 Brown D21/671
D867,490 S * 11/2019 Noback D21/686
D877,274 S * 3/2020 Rozier D21/817
D882,013 S * 4/2020 Rozier D21/817
10,786,704 B1 * 9/2020 Sheta A63B 21/4009
2007/0015594 A1 * 1/2007 Laurienzo A63H 18/028
472/89
2015/0139718 A1 * 5/2015 Smith A63C 19/10
403/205
2017/0043240 A1 * 2/2017 Gee A63C 19/10
2020/0297122 A1 * 9/2020 Signarsson A47C 16/00
2020/0330851 A1 * 10/2020 Campbell A63C 19/10
2020/0405071 A1 * 12/2020 Yen A61G 7/05769

DESCRIPTION

FIG. 1 is a top perspective view of an abdominal flexor assist device showing our new design;
FIG. 2 is a front view thereof;
FIG. 3 is a rear view thereof;
FIG. 4 is a left side view thereof;
FIG. 5 is a right side view thereof;
FIG. 6 is a top view thereof;
FIG. 7 is a bottom view thereof; and,
FIG. 8 is a rear bottom perspective view thereof.

1 Claim, 8 Drawing Sheets



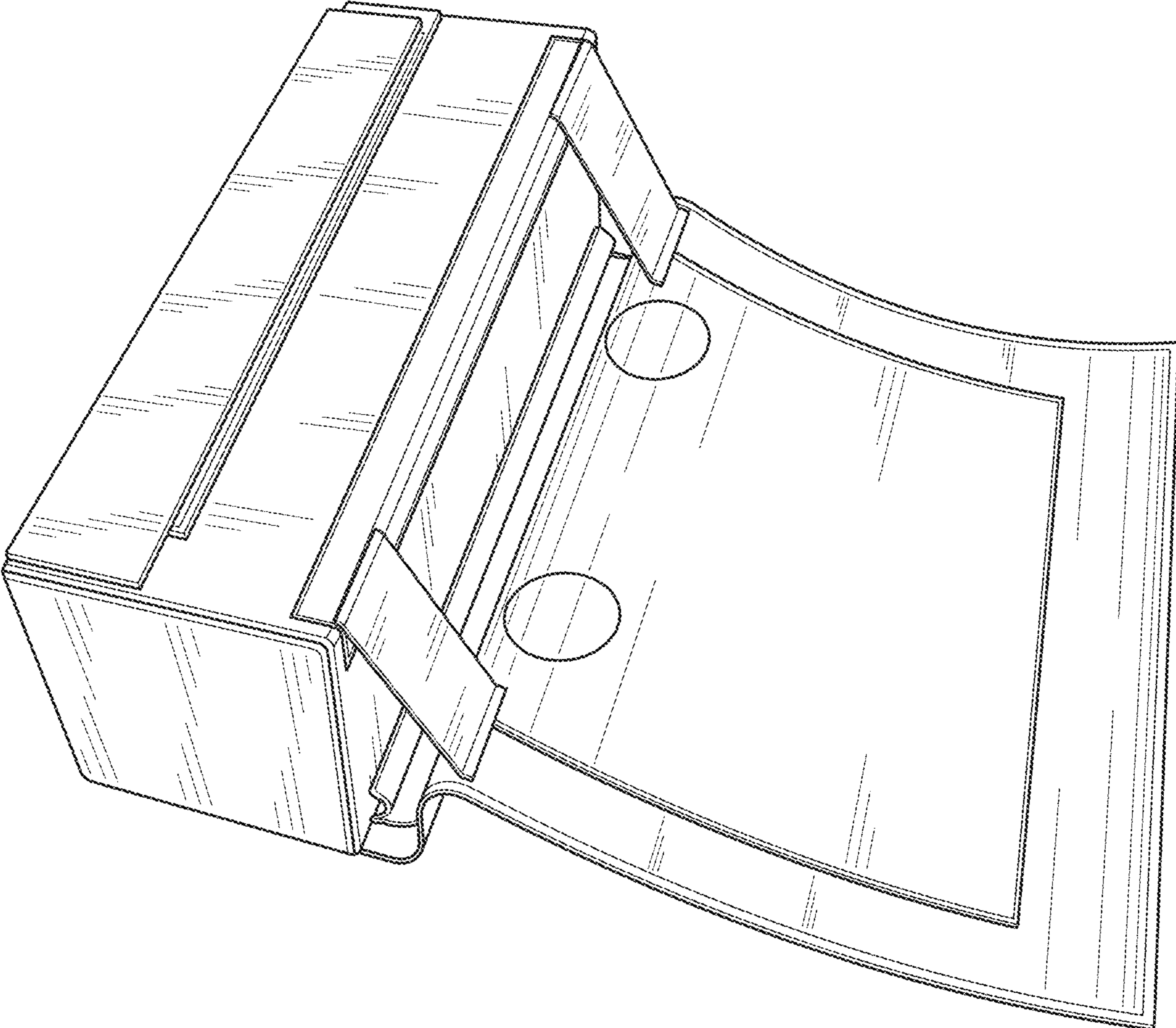


Fig. 1

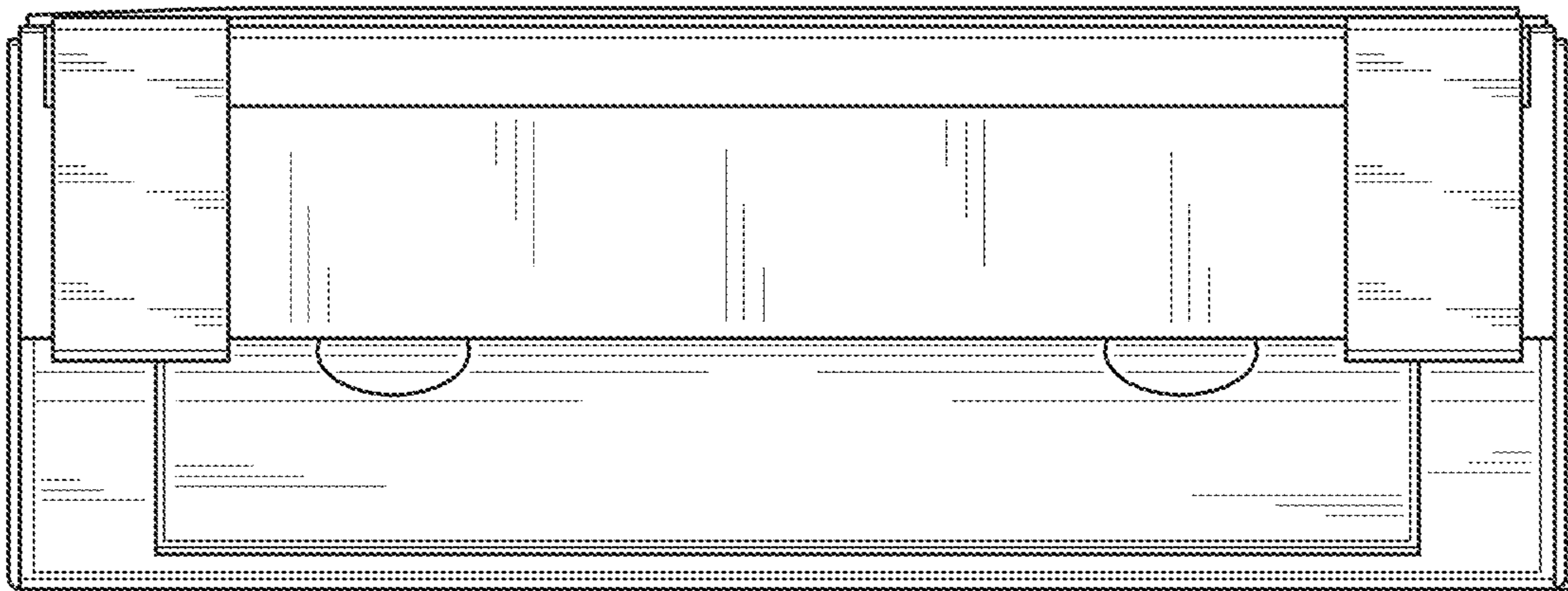


Fig. 2

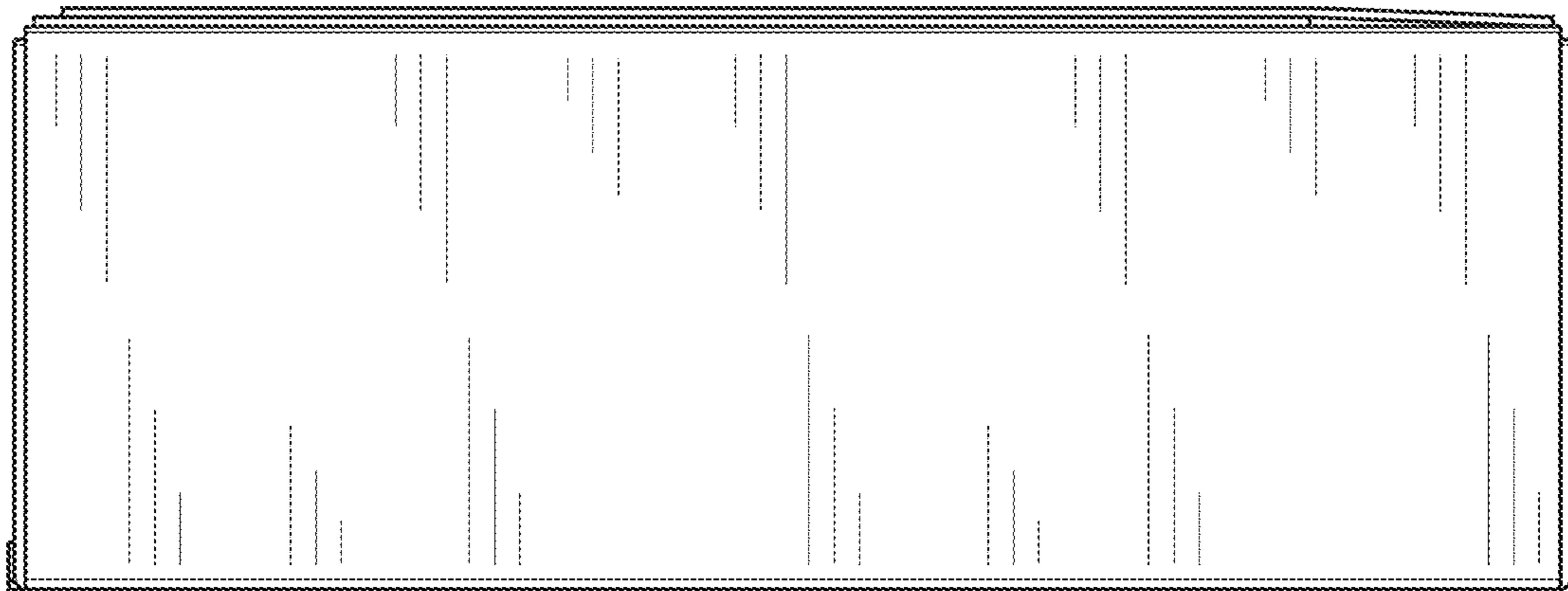


Fig. 3

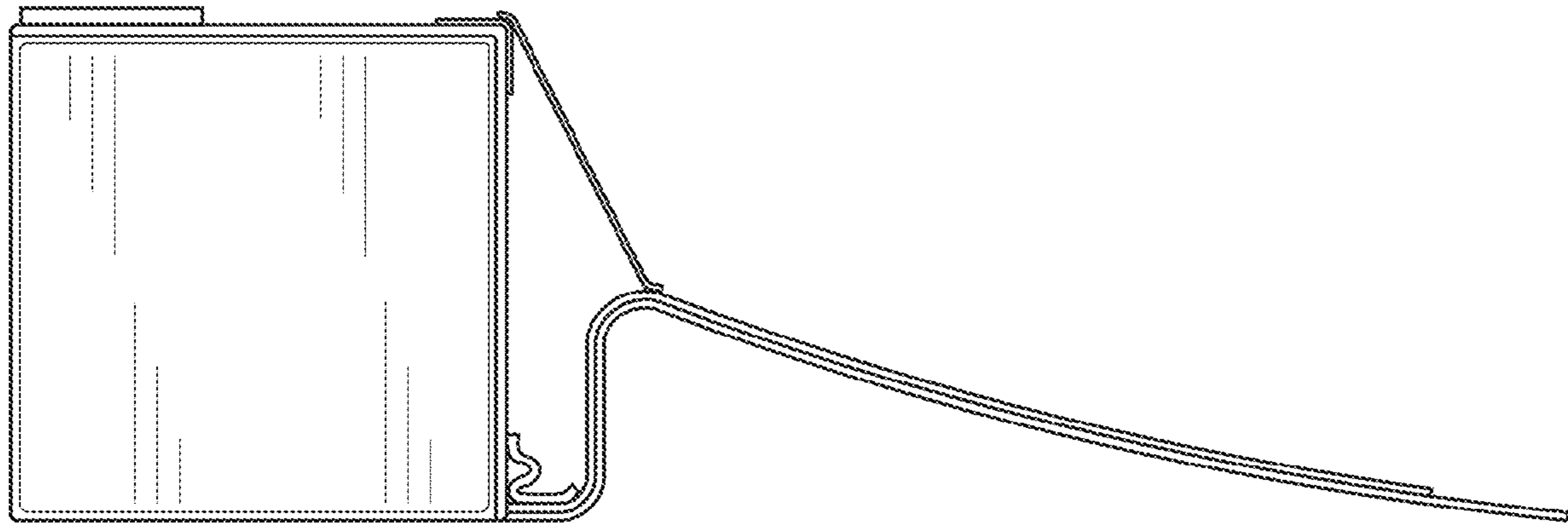


Fig. 4

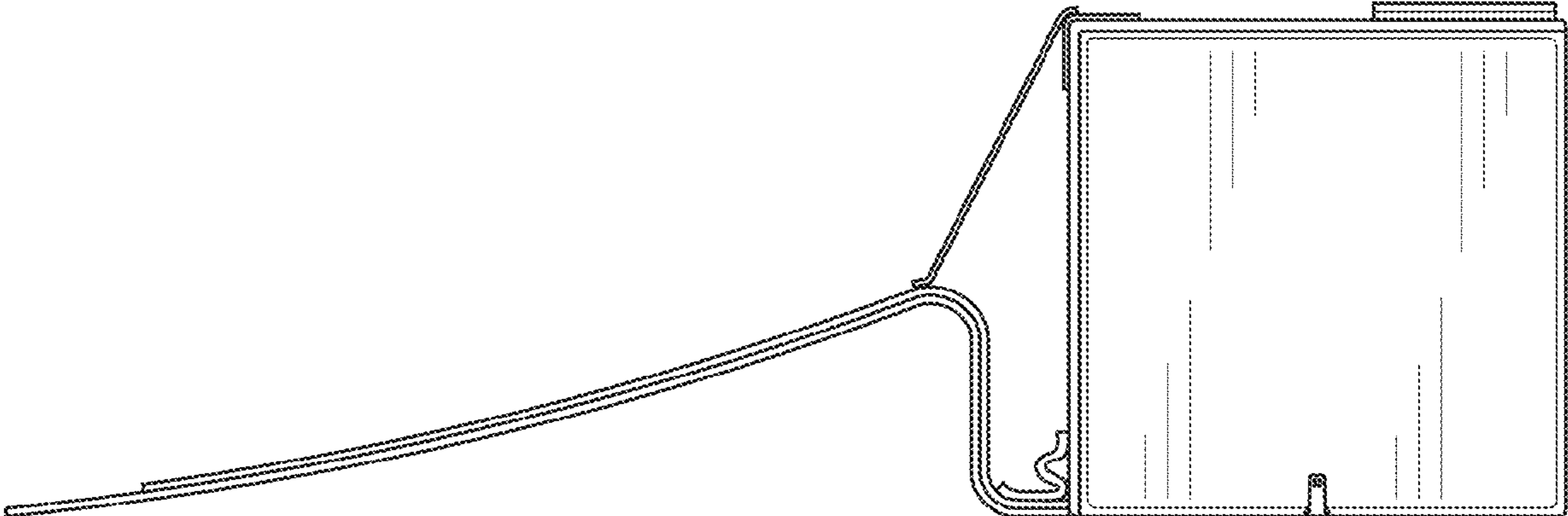


Fig. 5

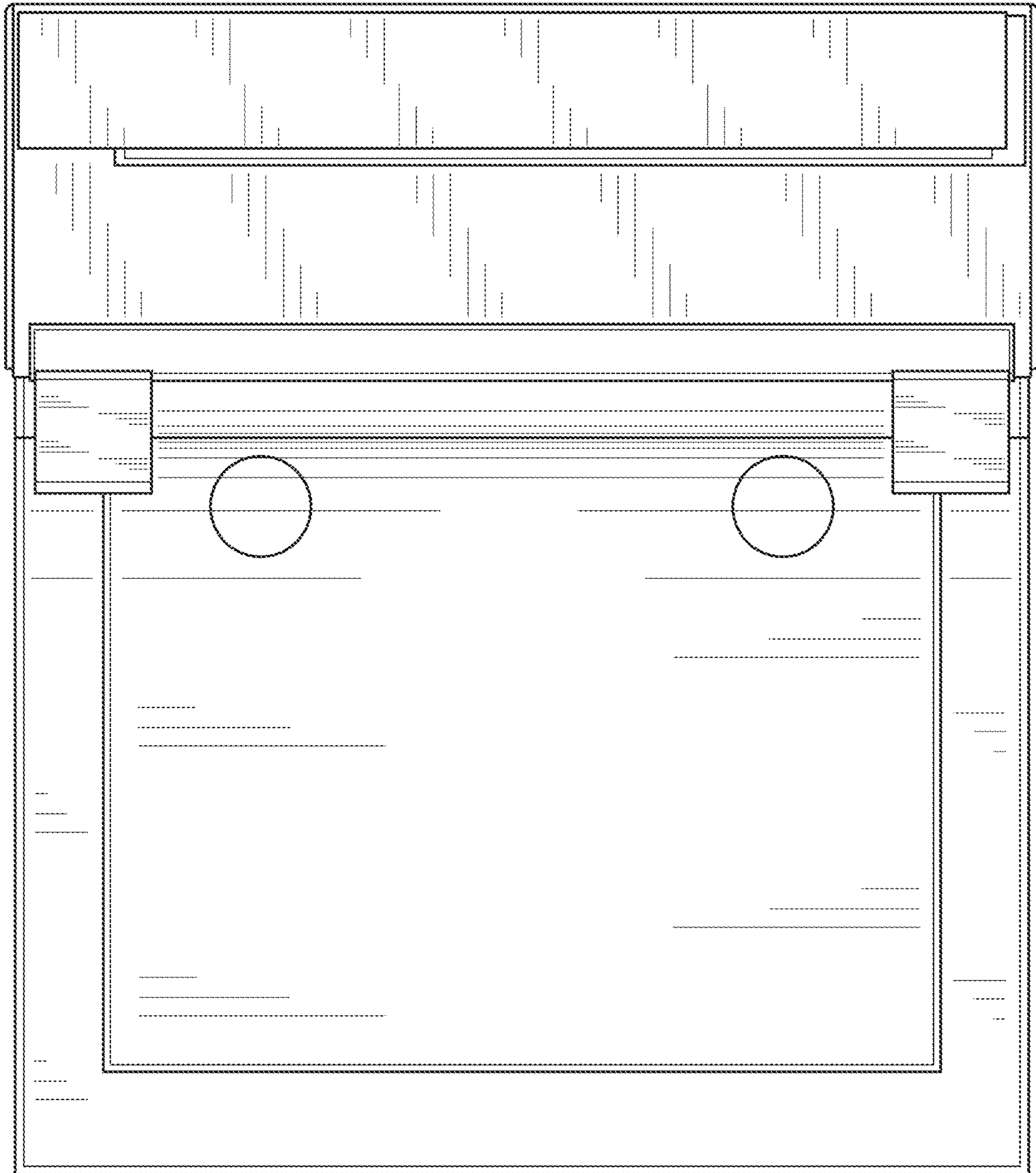


Fig. 6

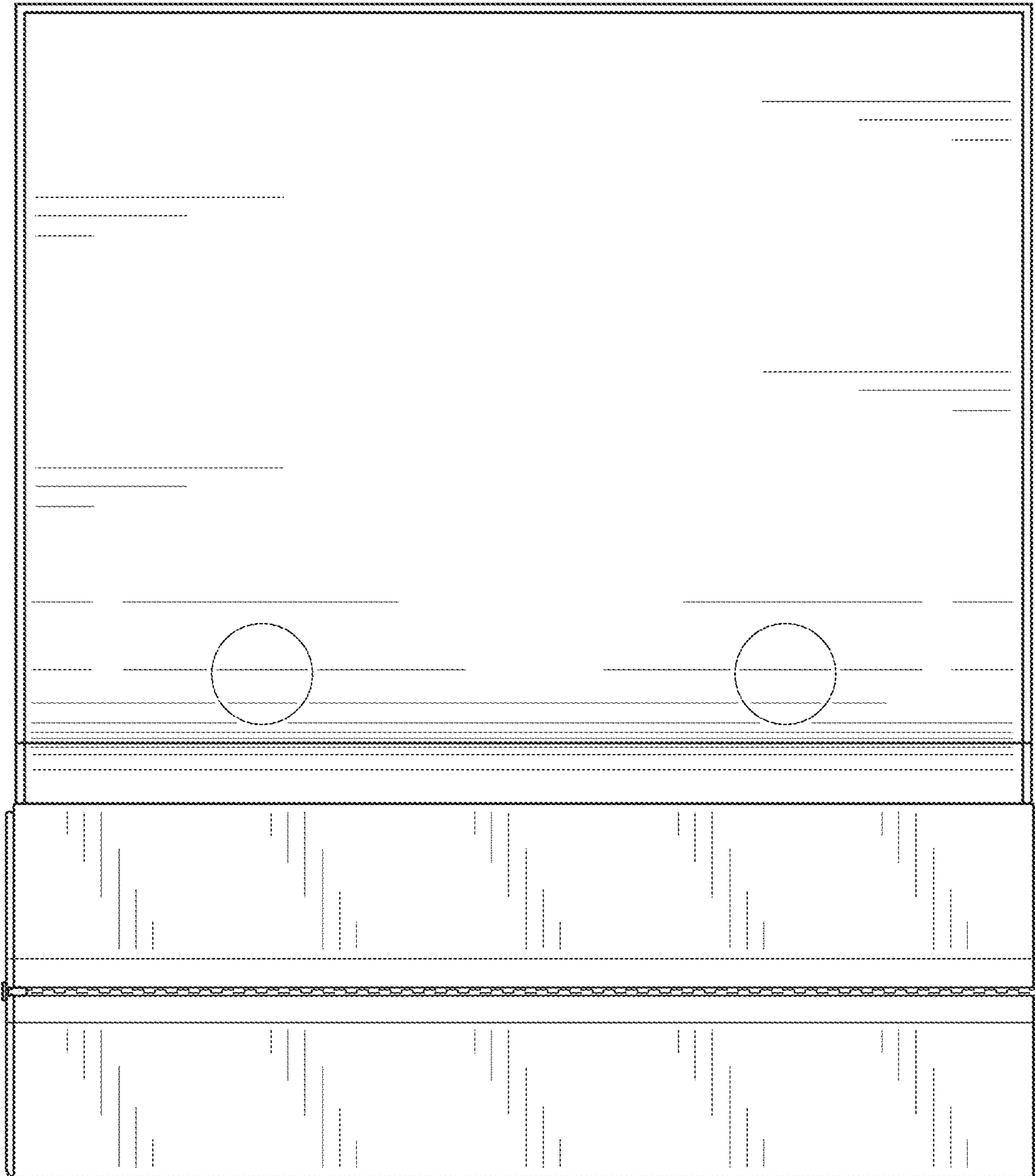


Fig. 7

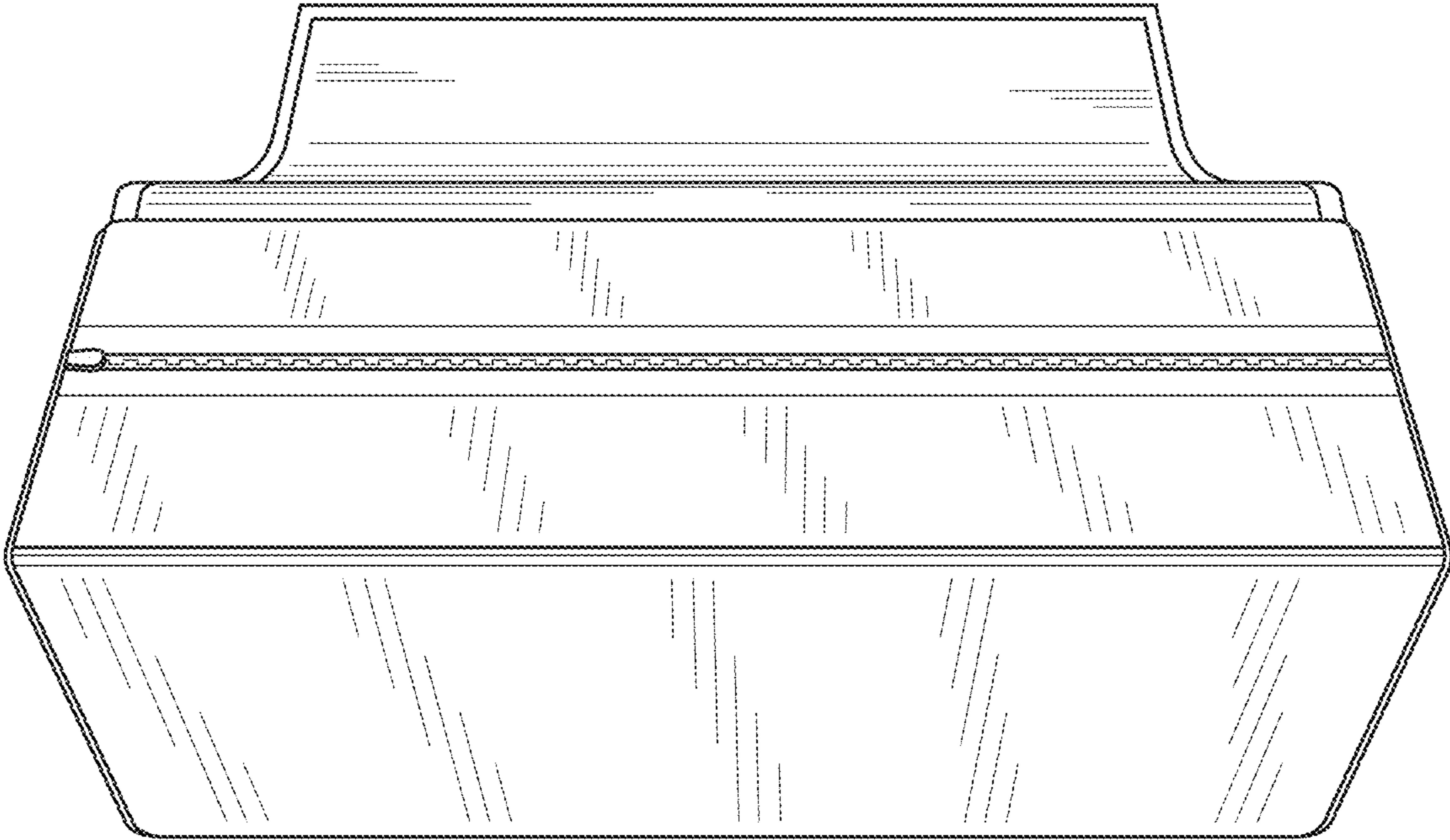


Fig. 8