



US00D936758S

(12) **United States Design Patent** (10) **Patent No.:** **US D936,758 S**
Chen (45) **Date of Patent:** **** Nov. 23, 2021**

(54) **TABLE**

(71) Applicant: **Chaokai Chen**, Fuzhou (CN)

(72) Inventor: **Chaokai Chen**, Fuzhou (CN)

(**) Term: **15 Years**

(21) Appl. No.: **29/756,192**

(22) Filed: **Oct. 27, 2020**

(51) **LOC (13) Cl.** **12-01**

(52) **U.S. Cl.**
USPC **D21/552**

(58) **Field of Classification Search**
USPC D21/338, 379, 484, 552; D6/685, 686,
D6/691, 691.1–691.9; D19/59, 60, 62, 64
CPC .. A47B 3/00; A47B 7/00; A47B 13/00; A47B
13/02; A47B 13/04; A47B 13/06; A47B
13/08; A47B 21/00; A47B 2200/0001;
A47B 2200/0011; A47B 2200/002
See application file for complete search history.

(56) **References Cited**

U.S. PATENT DOCUMENTS

D281,555 S * 12/1985 Levy D6/406.6
D362,142 S * 9/1995 Lee D21/522
D382,144 S * 8/1997 Lo D21/522
D387,583 S * 12/1997 Shear D21/522
D464,089 S * 10/2002 Studebaker D21/522
D619,822 S * 7/2010 Damgaard-Sorensen
A47B 3/06
D6/406.1

D921,771 S * 6/2021 Lo D21/522
2010/0186638 A1 * 7/2010 Roy A47B 3/06
108/25
2018/0099234 A1 * 4/2018 Hinkle A47D 3/00

OTHER PUBLICATIONS

“Minne Baby 3-in-1 Kids Activity Table, Build and Learn Table, Building Blocks Kit—Foldable Activity Desk, Play Board, and Toy Storage—Perfect for Children 3 Years Old and Up”, Retrieved Oct. 27, 2020]. Retrieved from Internet, <https://www.amazon.com/Minne-Baby-Activity-Building-Blocks/dp/B07VZZGNQF/ref>.
“CIRO Kids 6-in-1 Multi Activity Building Block Table—60 Pieces Building Blocks Compatible Bricks Toy, Play Table with Storage for Boys Girls Over 3 Years Old”, Retrieved Oct. 27, 2020. Retrieved from Internet, <https://www.amazon.com/CIRO-Multi-Activity-Building-Block/dp/B08CXVQ9JF/ref>.

* cited by examiner

Primary Examiner — Mary Ann Calabrese

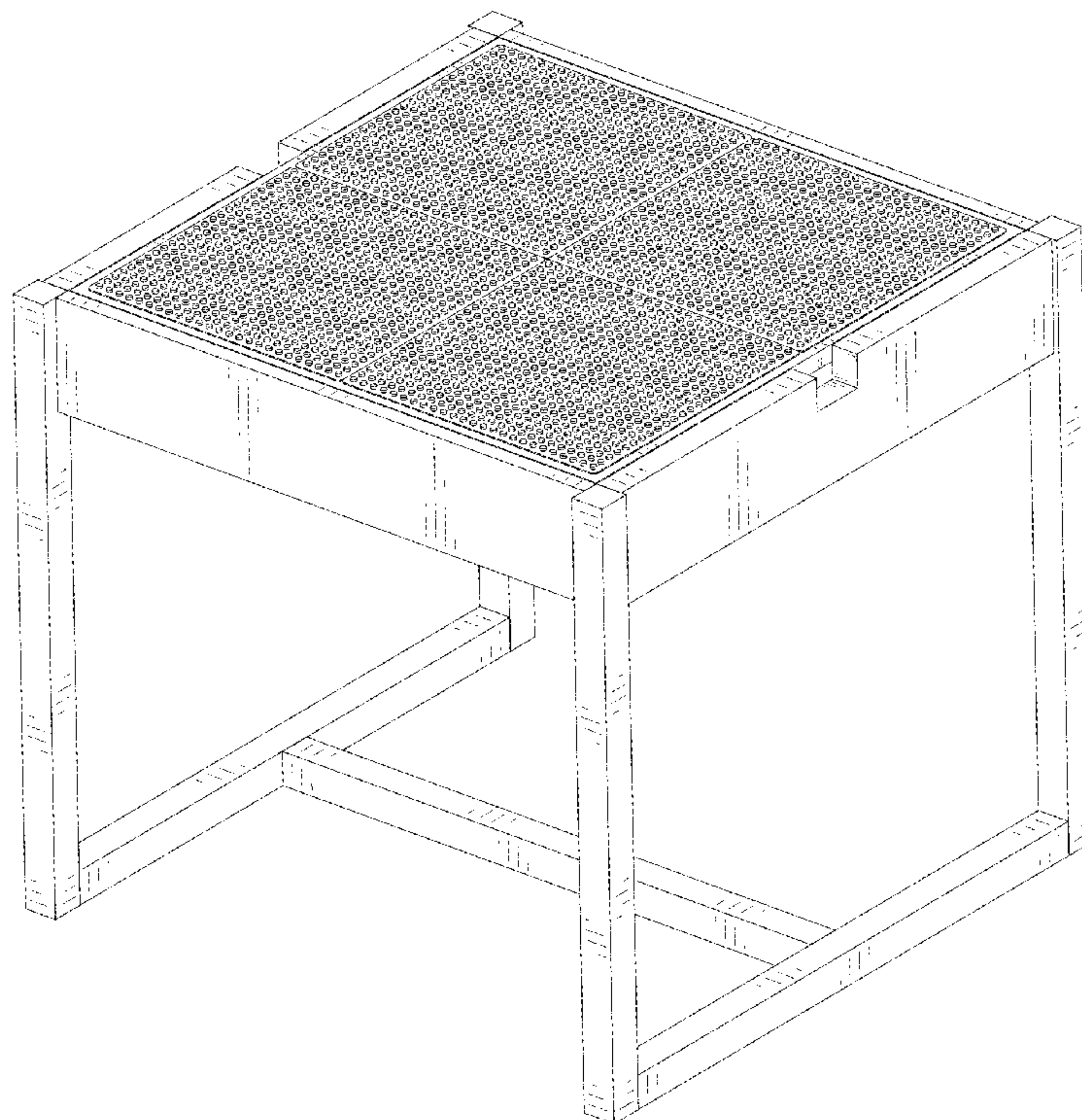
(57) **CLAIM**

The ornamental design for a table, as shown and described.

DESCRIPTION

FIG. 1 is a perspective view of a table showing my new design;
FIG. 2 is a front elevational view thereof;
FIG. 3 is a rear elevational view thereof;
FIG. 4 is a left side elevational view thereof;
FIG. 5 is a right side elevational view thereof;
FIG. 6 is a top plan view thereof; and,
FIG. 7 is a bottom plan view thereof.

1 Claim, 7 Drawing Sheets



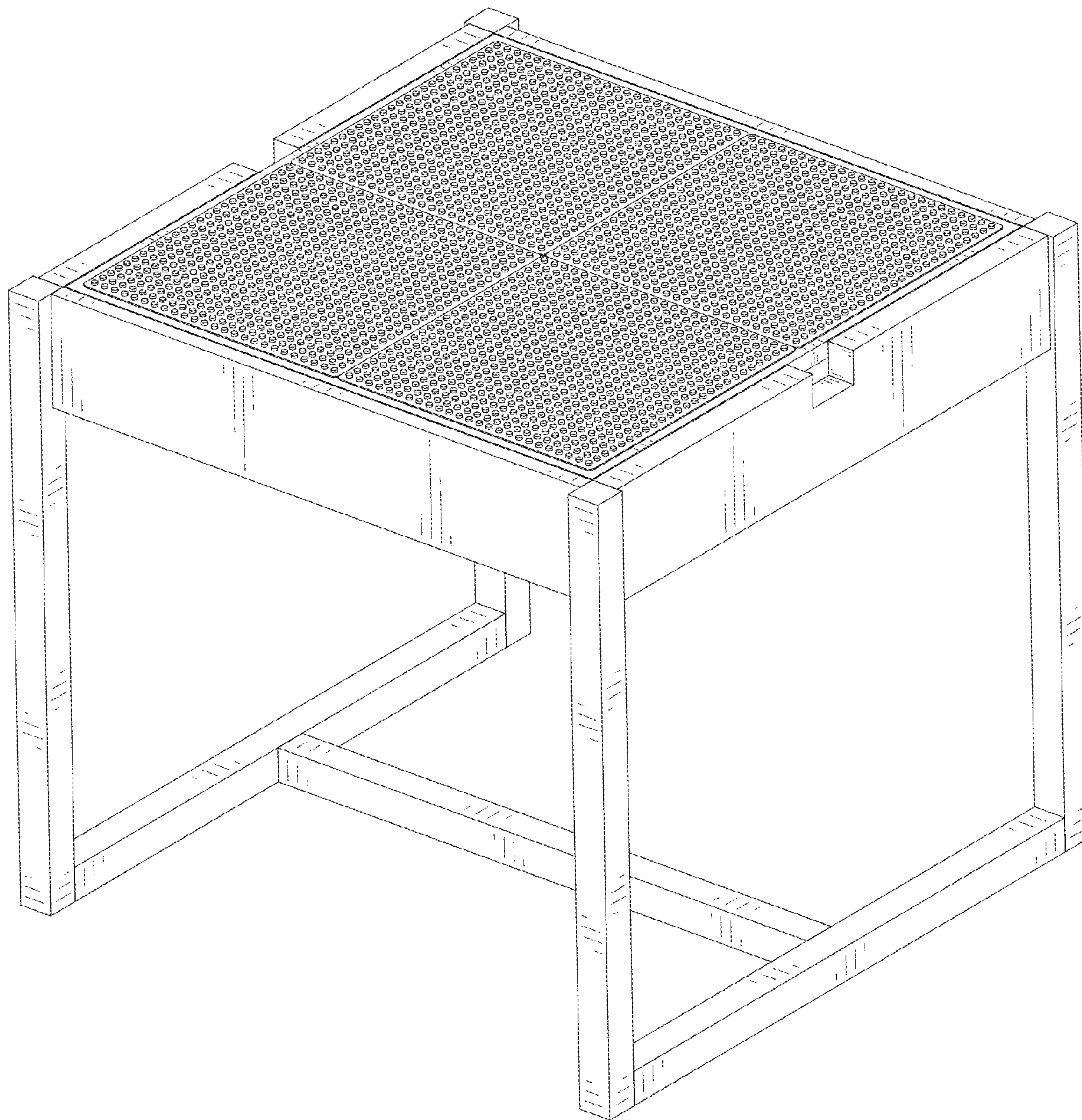


FIG. 1

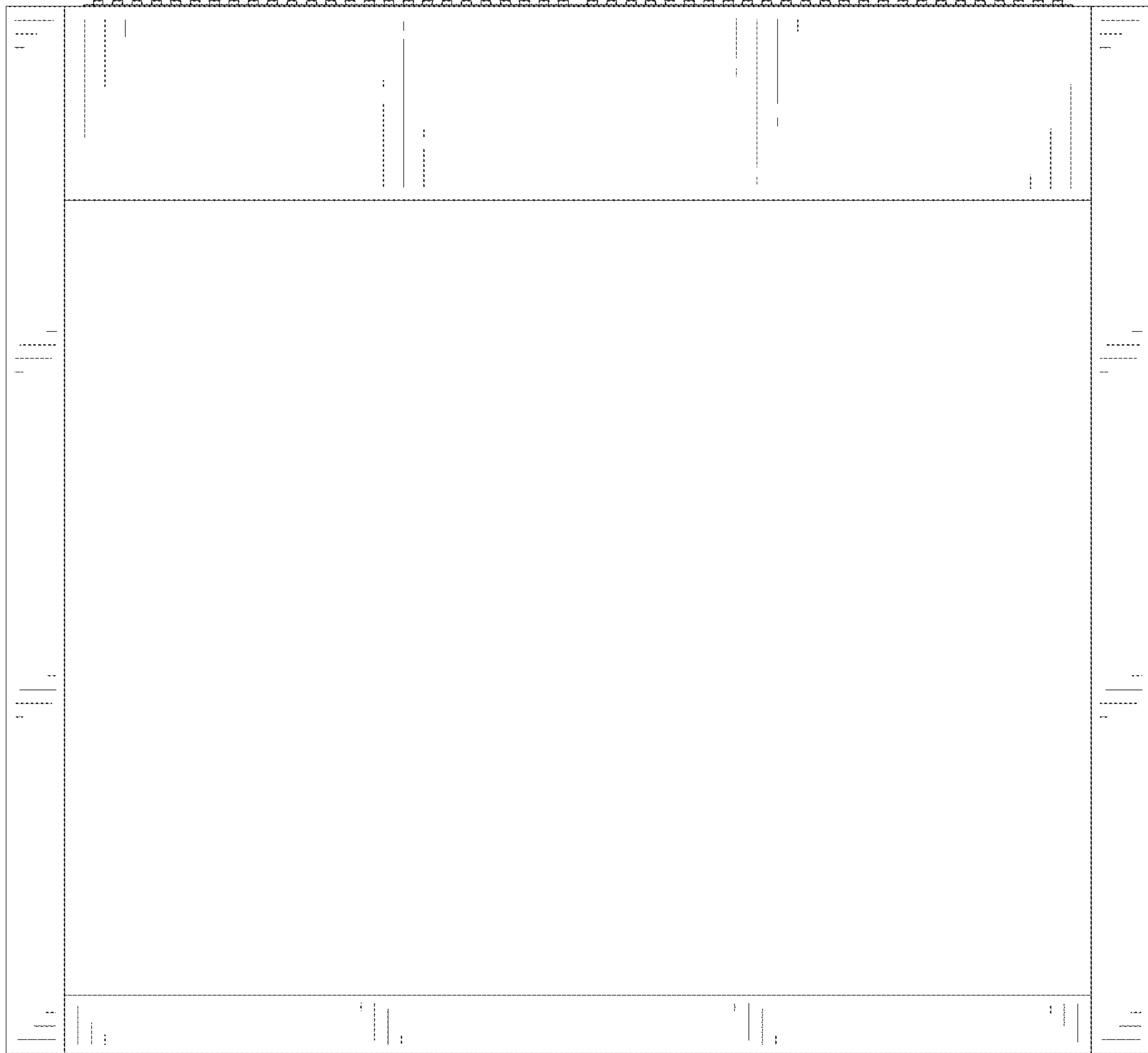


FIG. 2

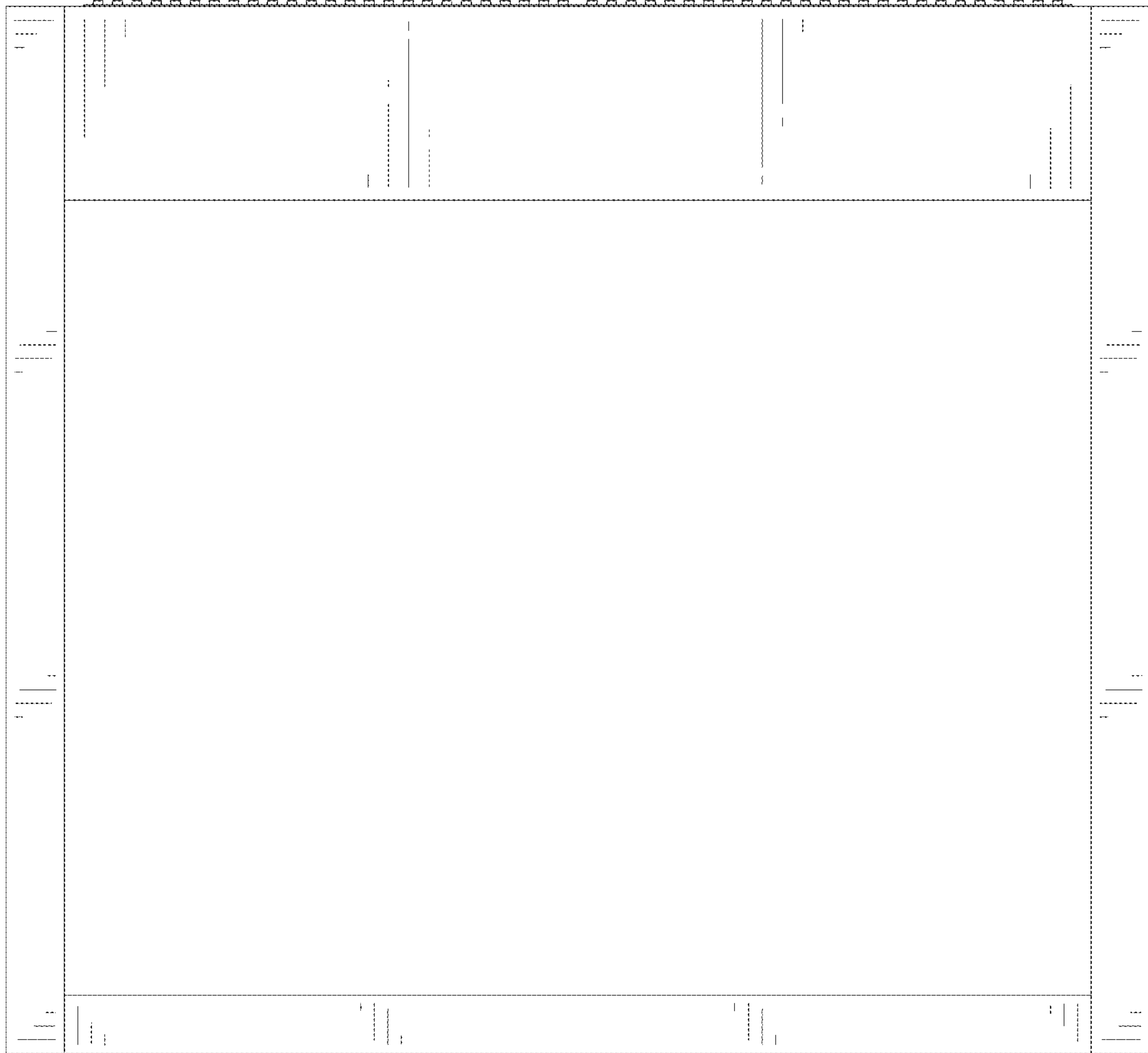


FIG. 3

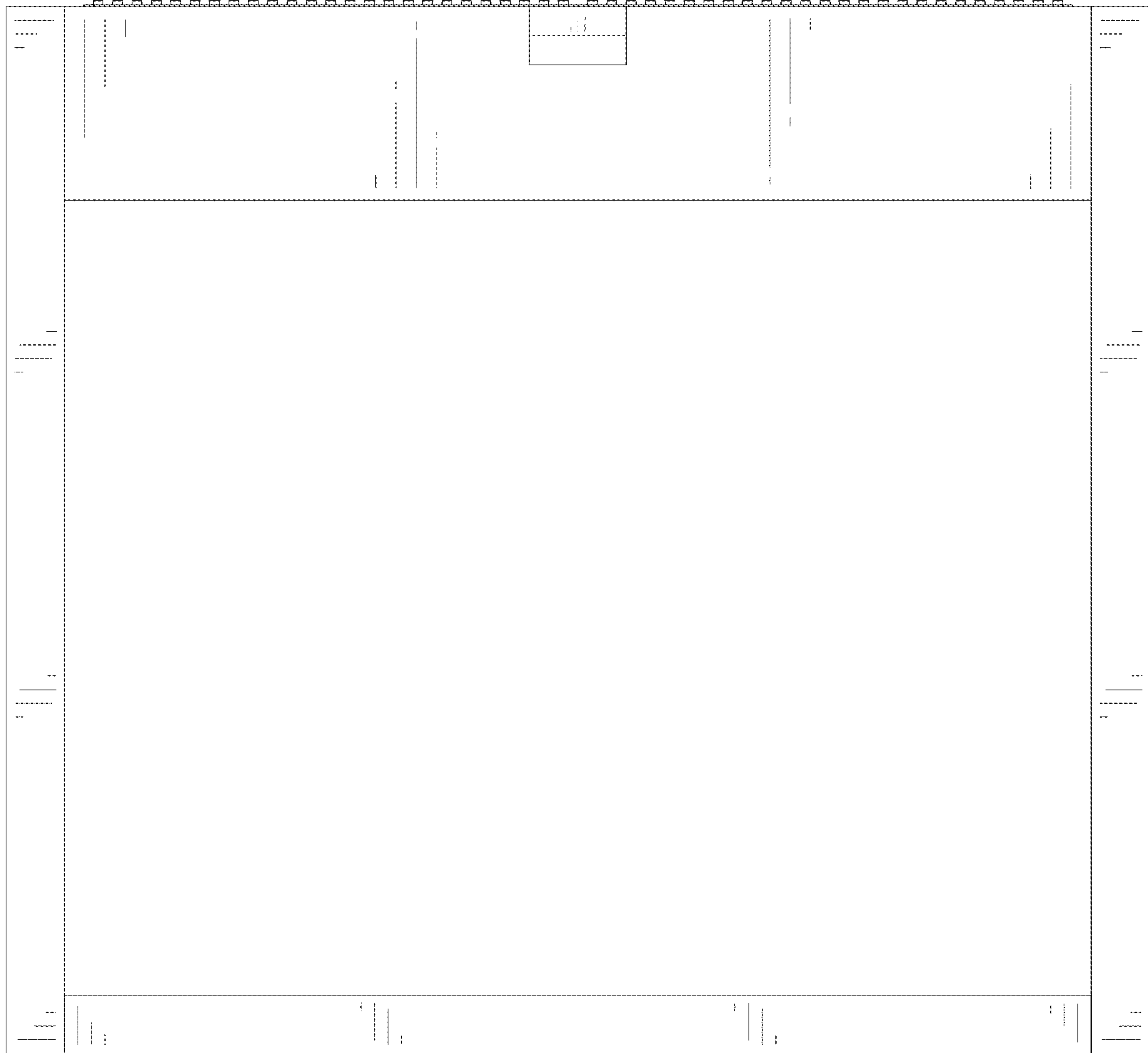


FIG. 4

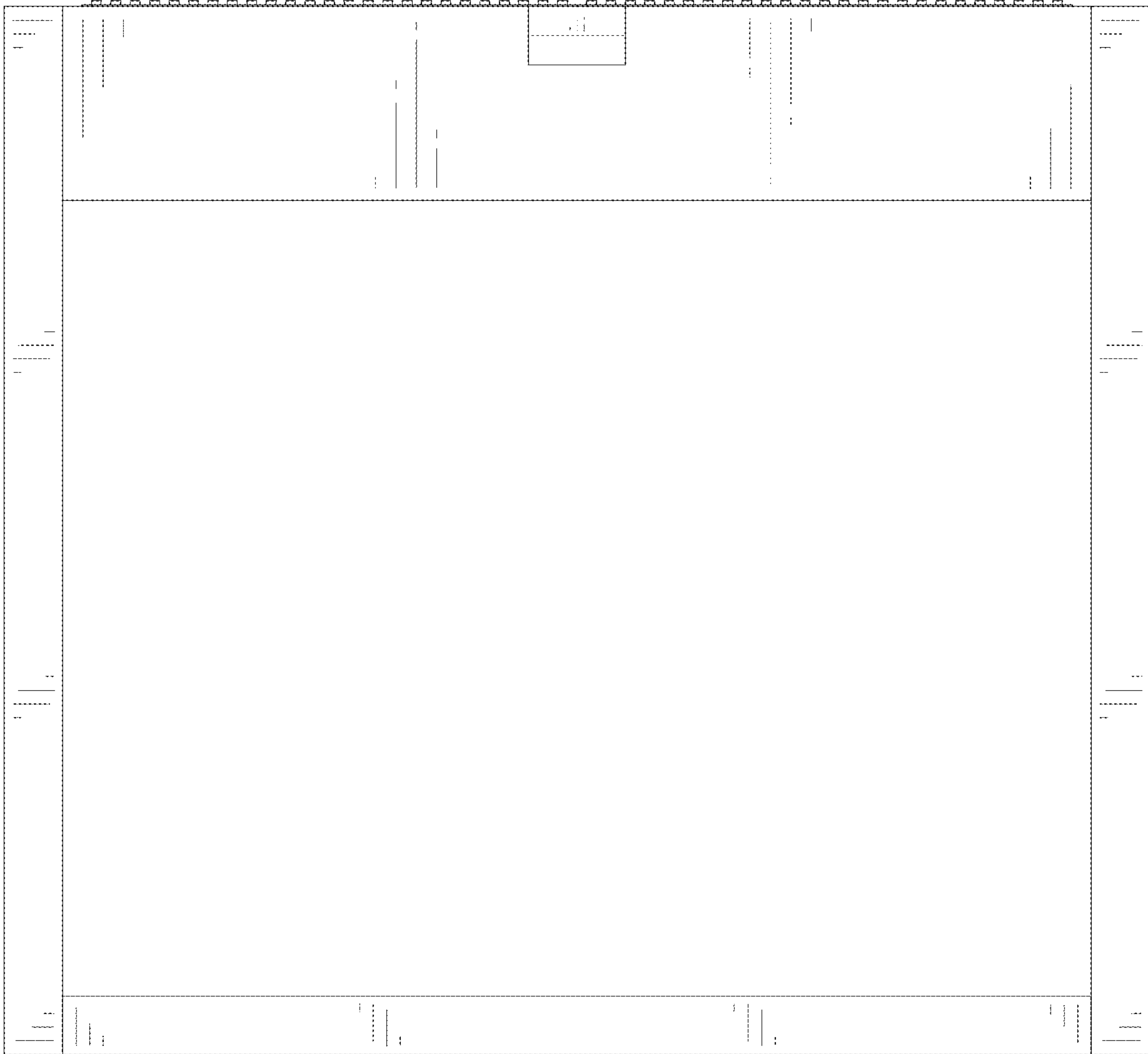


FIG. 5

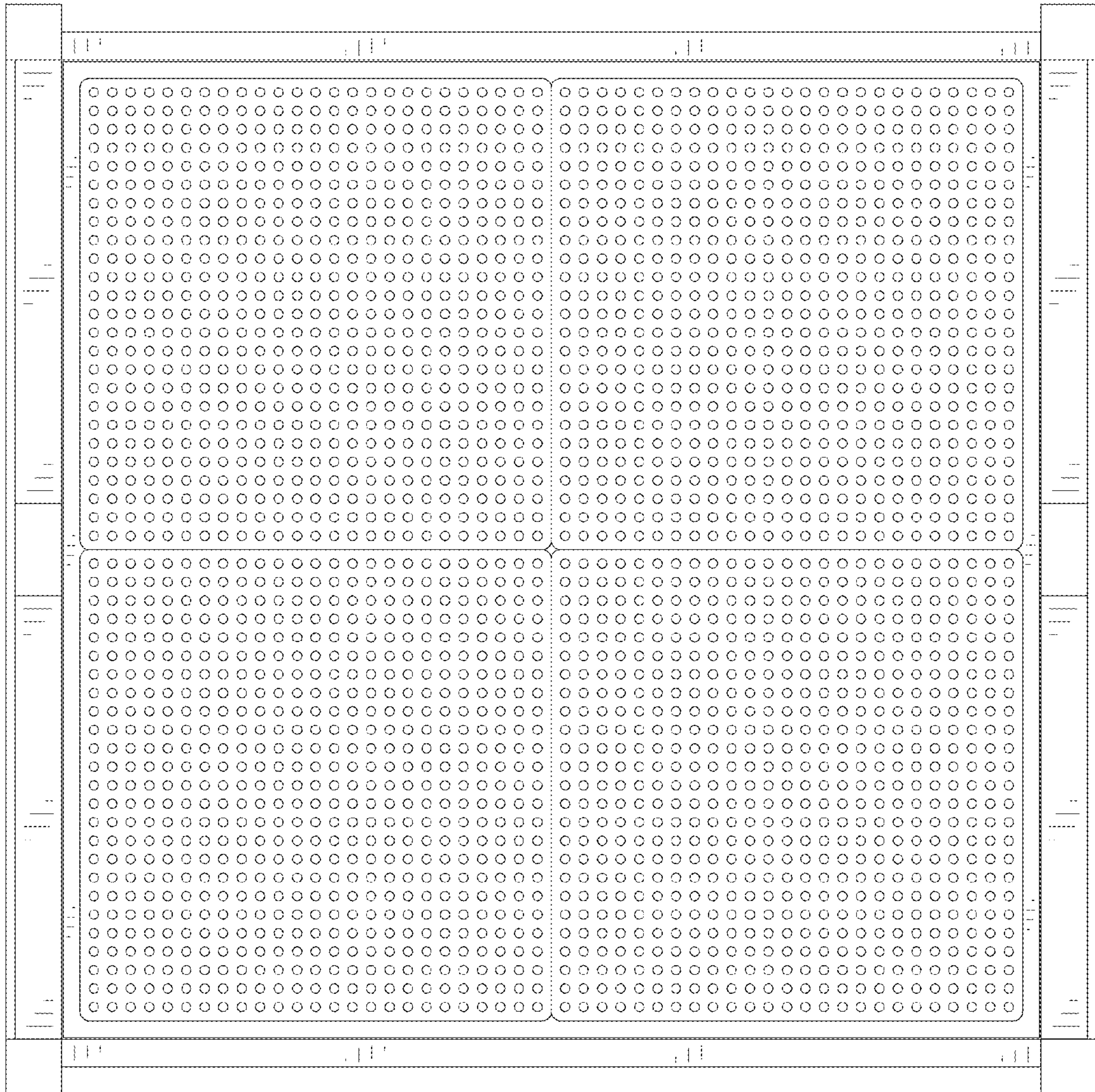


FIG. 6

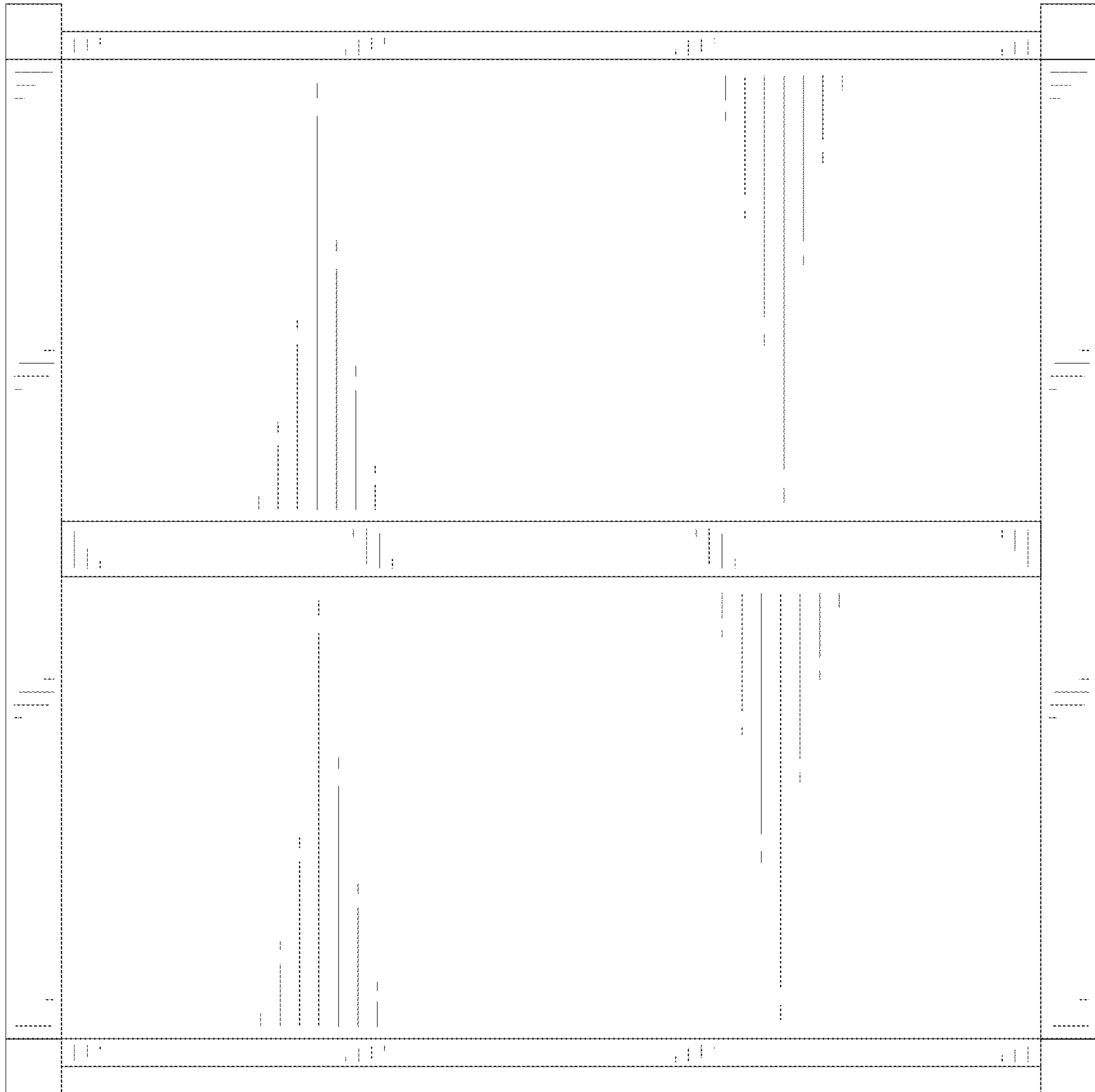


FIG. 7